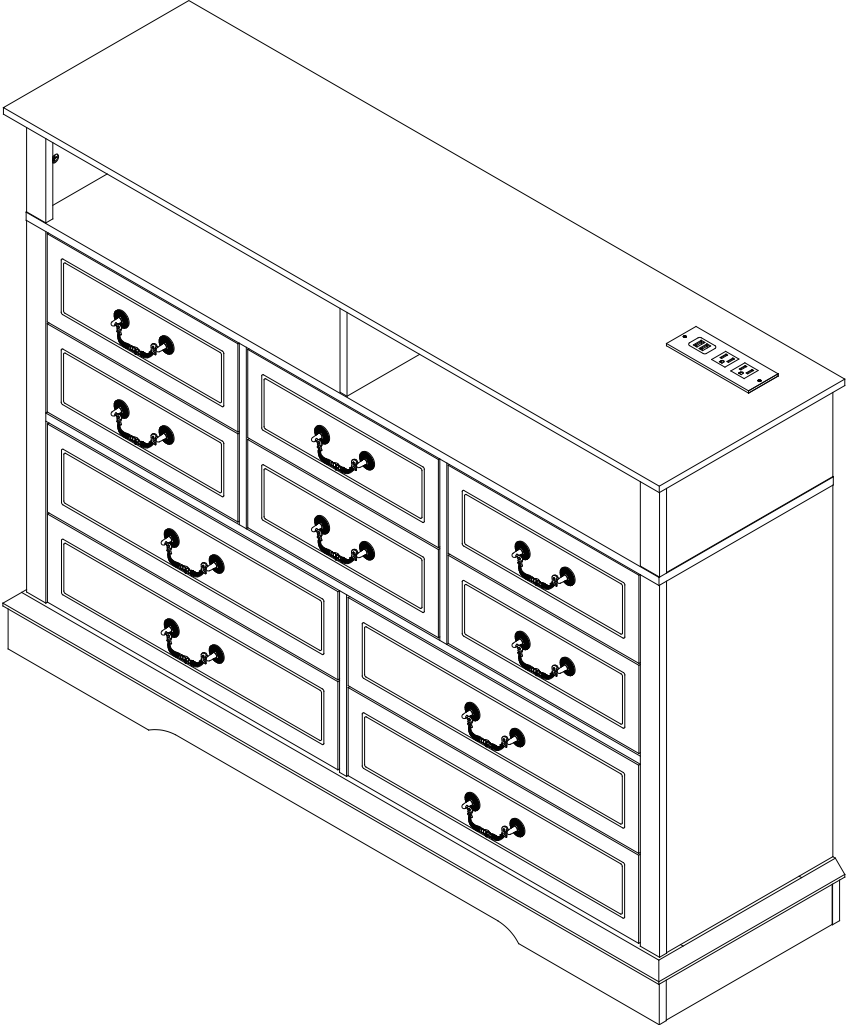
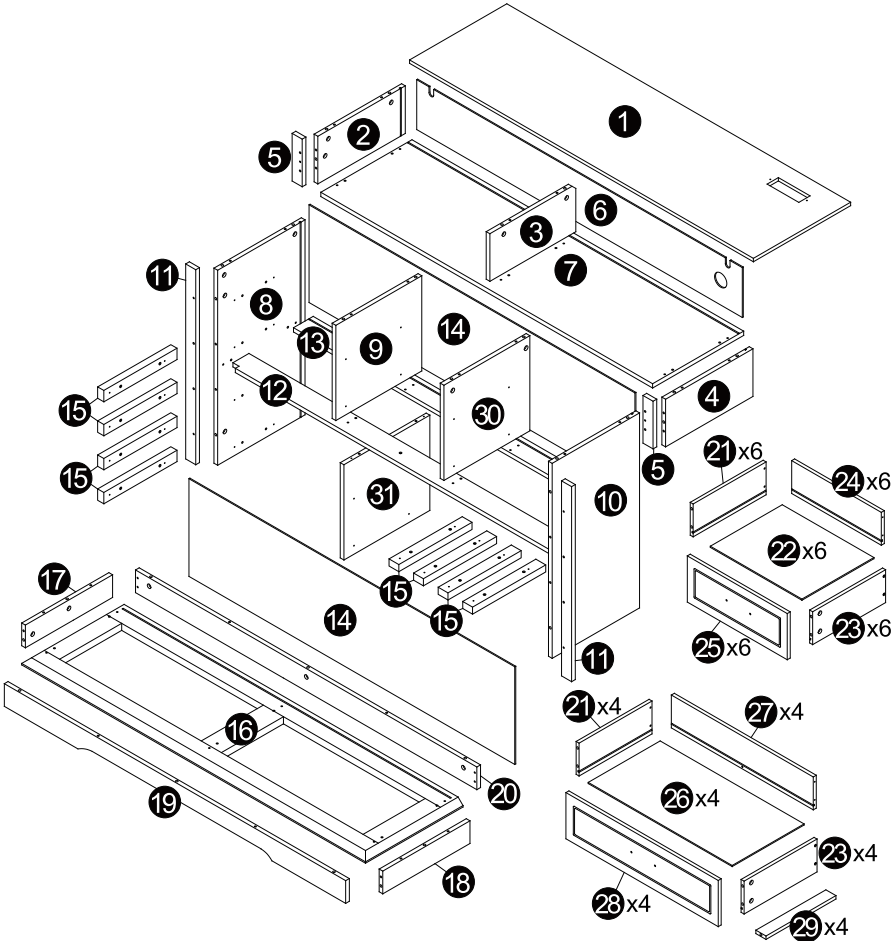


ASSEMBLY INSTRUCTION



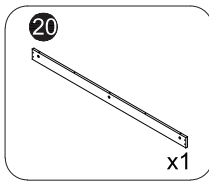
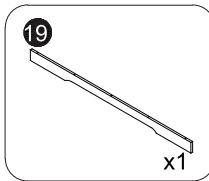
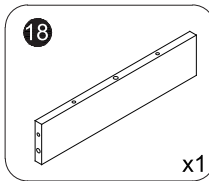
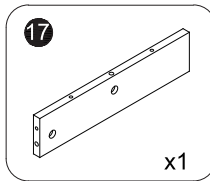
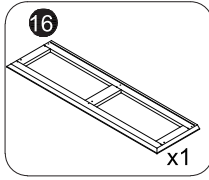
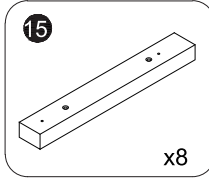
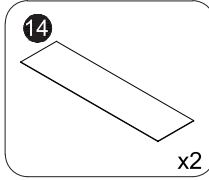
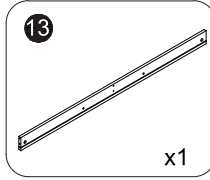
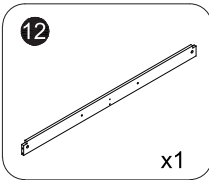
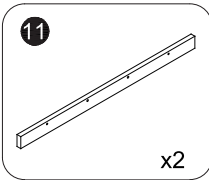
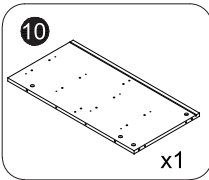
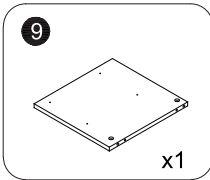
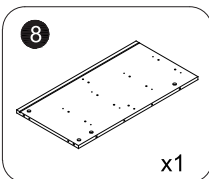
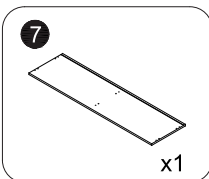
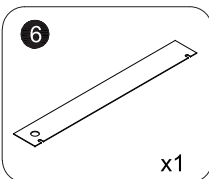
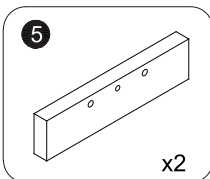
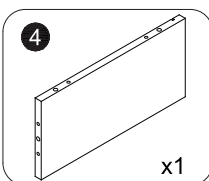
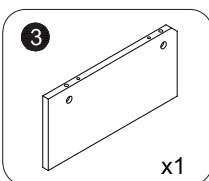
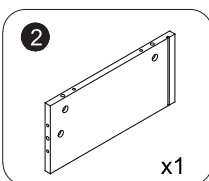
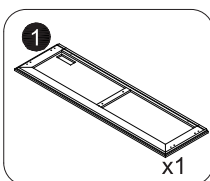
Packaging Details

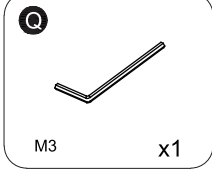
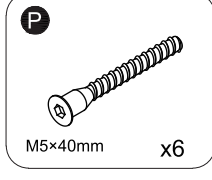
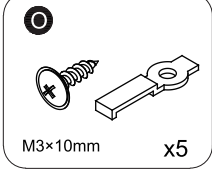
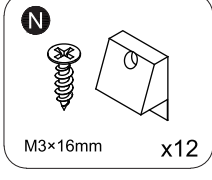
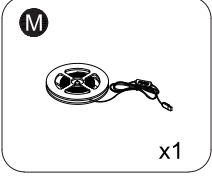
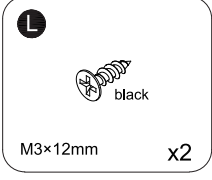
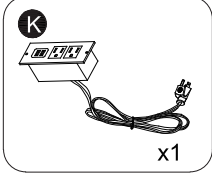
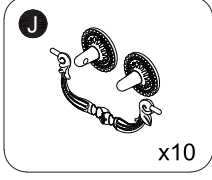
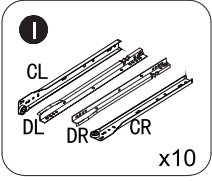
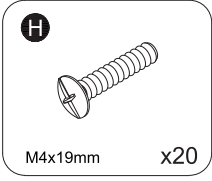
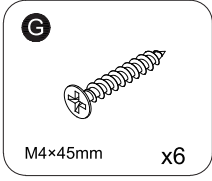
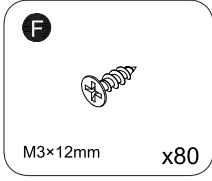
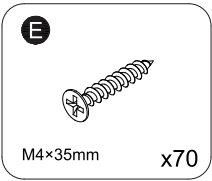
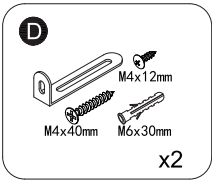
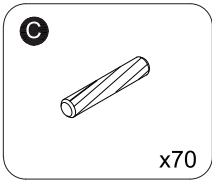
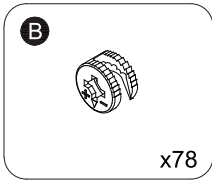
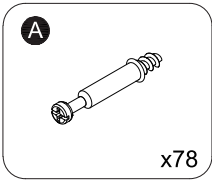
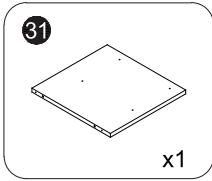
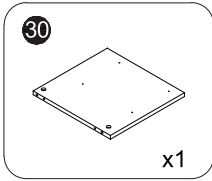
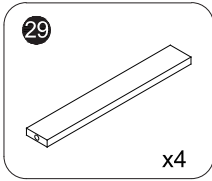
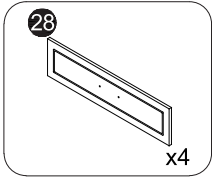
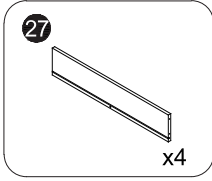
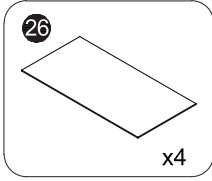
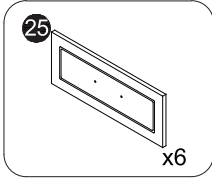
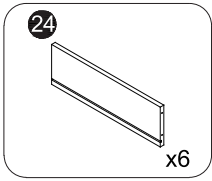
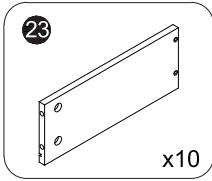
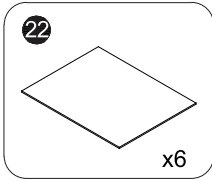
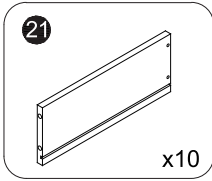


Please check all parts and accessories according to the parts list before assembling, make sure all contents are sufficient and in good condition.

If there is any parts missing or defective, please contact us immediately with purchase platform message to get replacement parts.

PARTS:



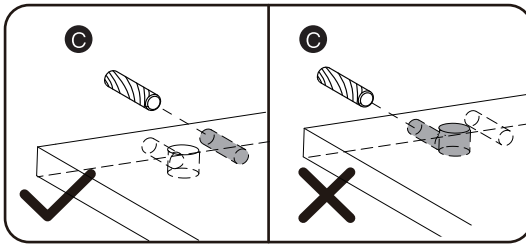


HOW TO INSTALL

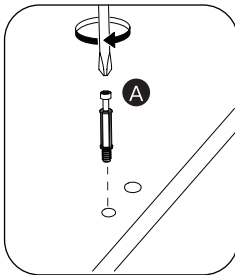
NOTICE:

1. Use electric drill for easier installation experience.
2. Please drive the screws in pre-drilled holes.
3. Please strictly follow the instruction and diagram in every step.
4. Make sure every part is on the right position, otherwise it may cause unnecessary problem.
5. Select the proper component via the label on every part while assembling.

REMARK:



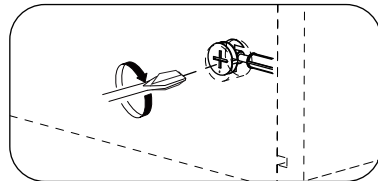
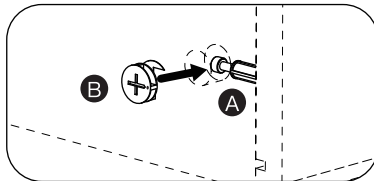
Avoid inserting part C into wrong holes.



Part A must be installed into the holes with rubber nuts which are smaller than others.

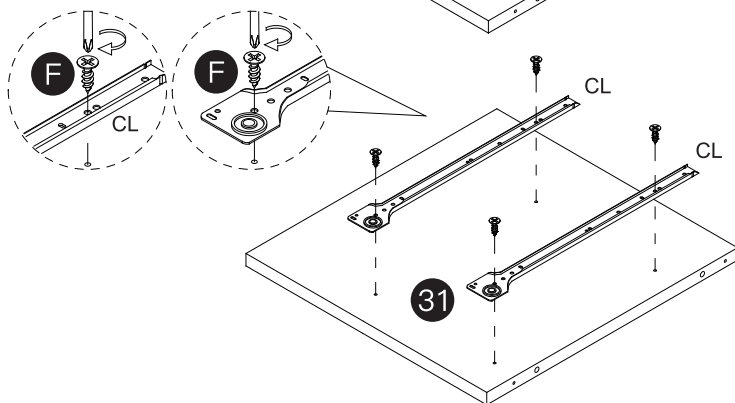
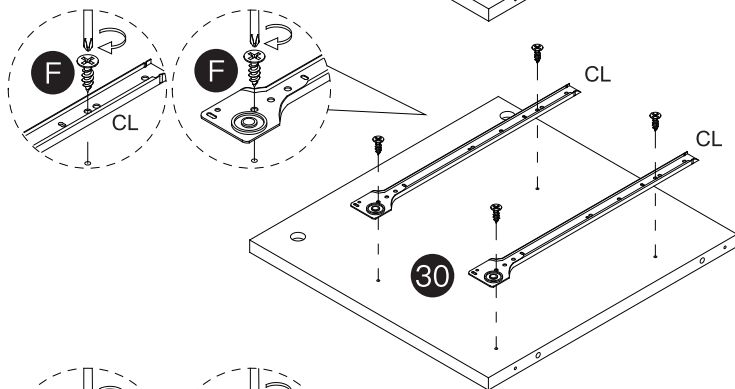
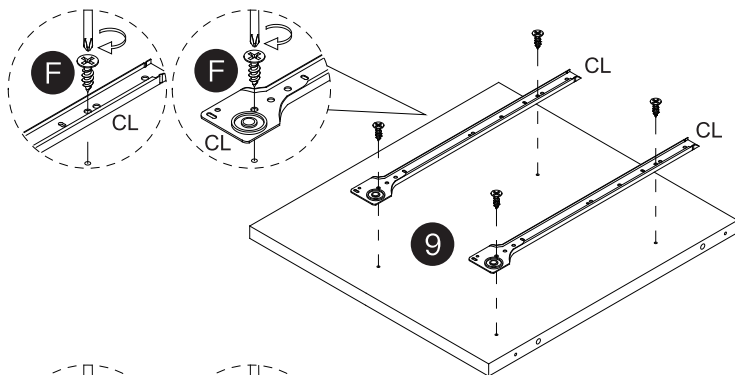
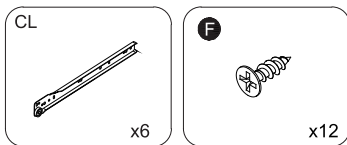
Make sure that part A is facing the direction of part B opening.

When locking part B, please make sure part A is fully inserted.



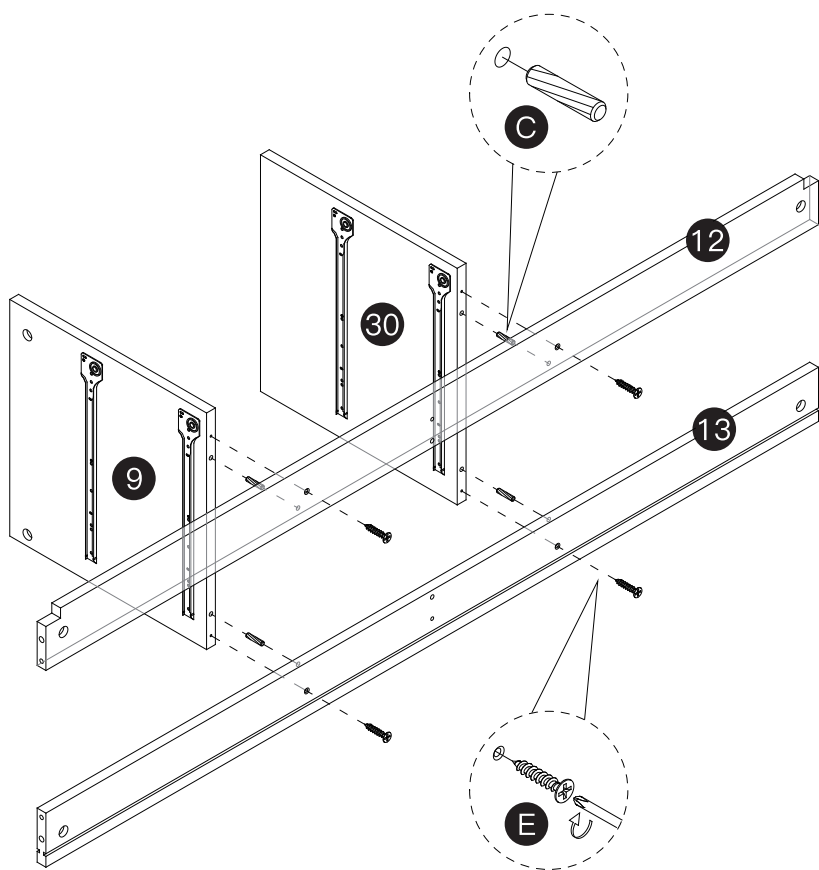
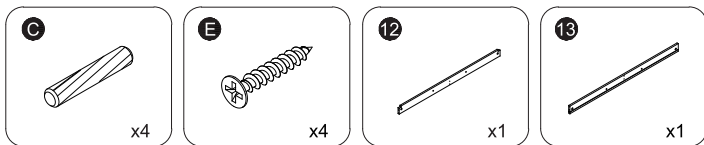
Step 2

Turn them around, then install part CL on part 9 & 30 & 31, use part F to screw them.



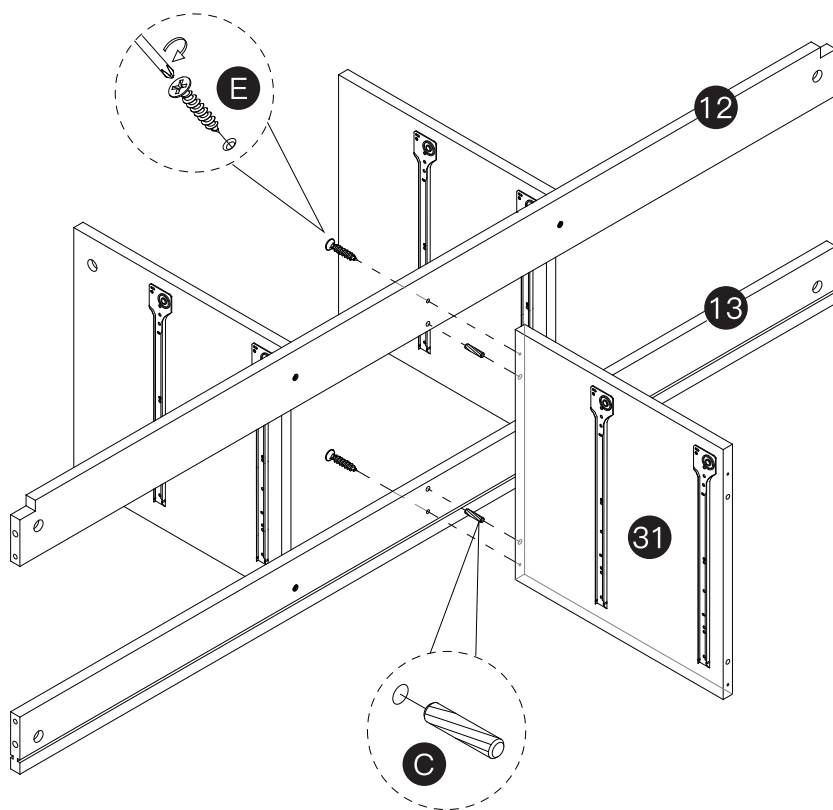
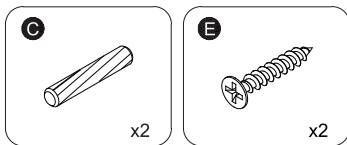
Step 3

Install part 9 & 30 on part 12 & 13, use part C & E to screw them.



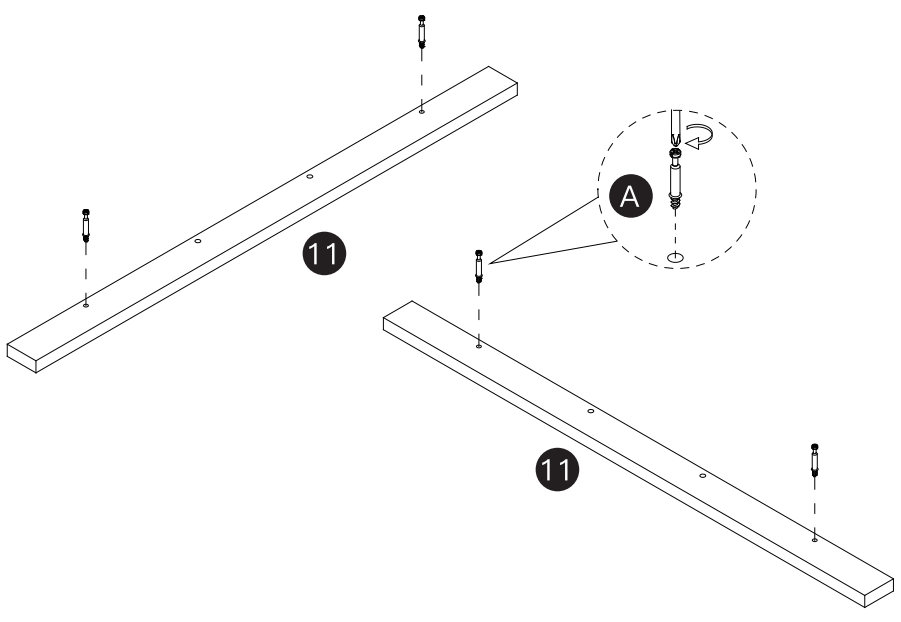
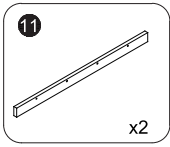
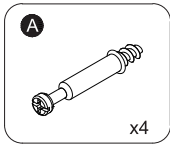
Step 4

Install part 31 on part 12 & 13, use part C & E to screw them.



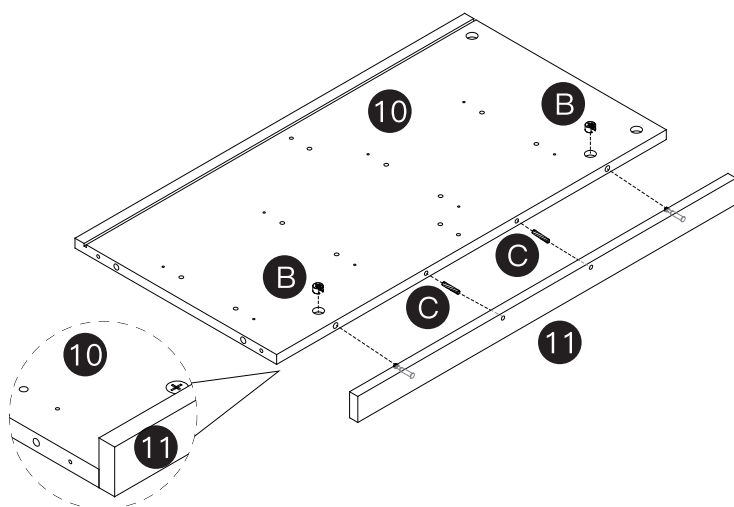
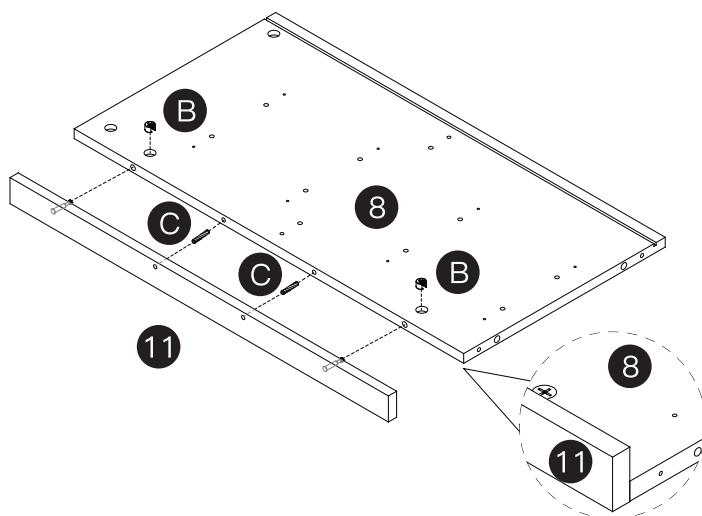
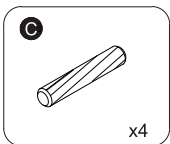
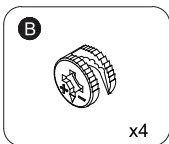
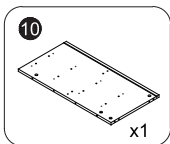
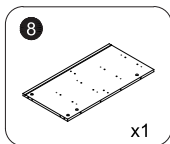
Step 5

Install part **A** on part **11**.



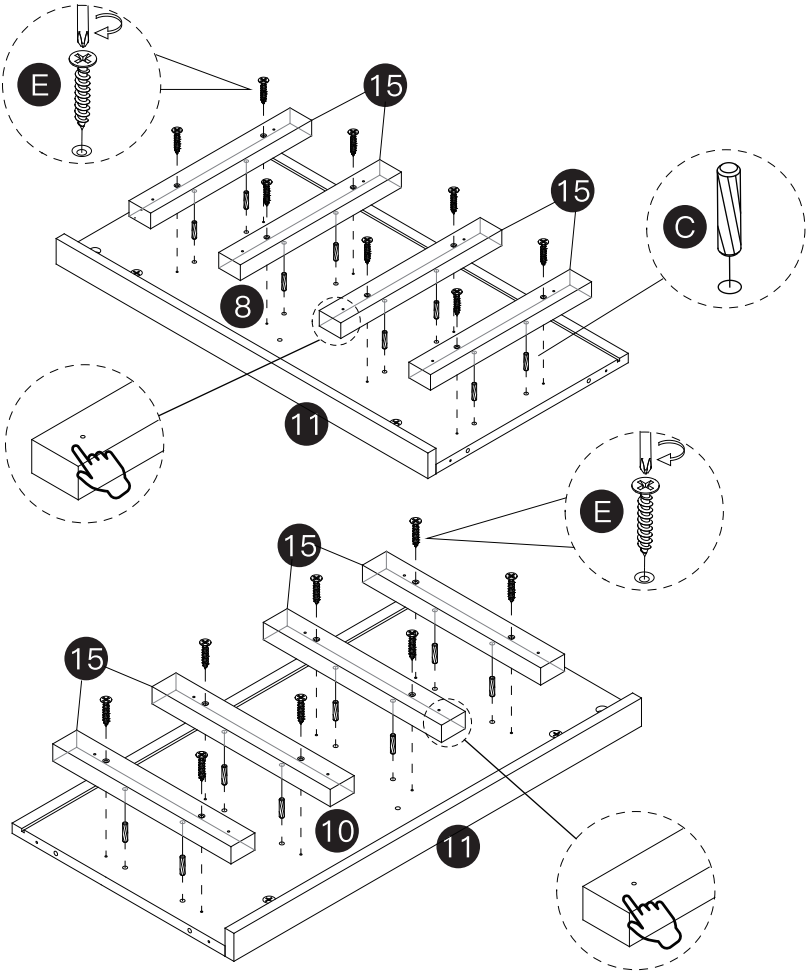
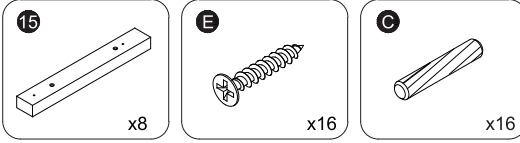
Step 6

Install part **11** on part **8** & **10**, use part **B** & **C** to screw them.



Step 7

Install part **15** on part **8** & **10**, use part **C** & **E** to screw them.

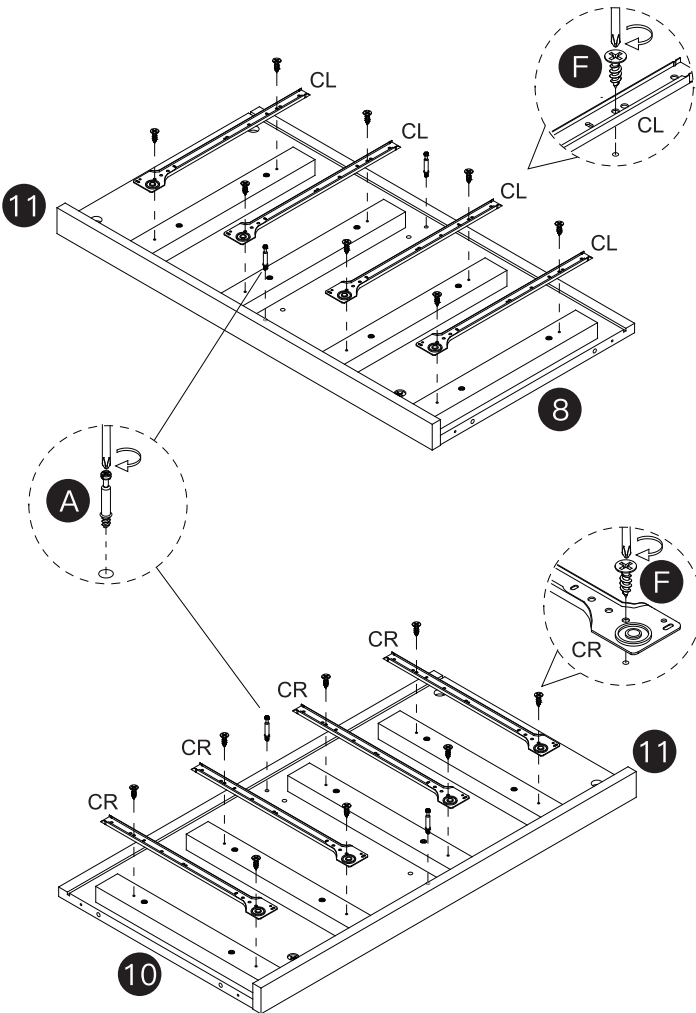
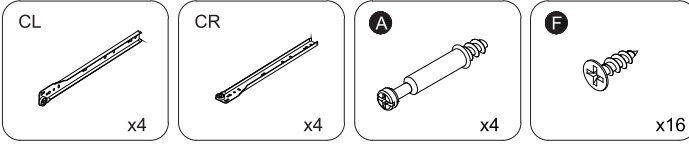


NOTICE:

Ensure that the two holes in part **15** a little closer together are away from part **11**.

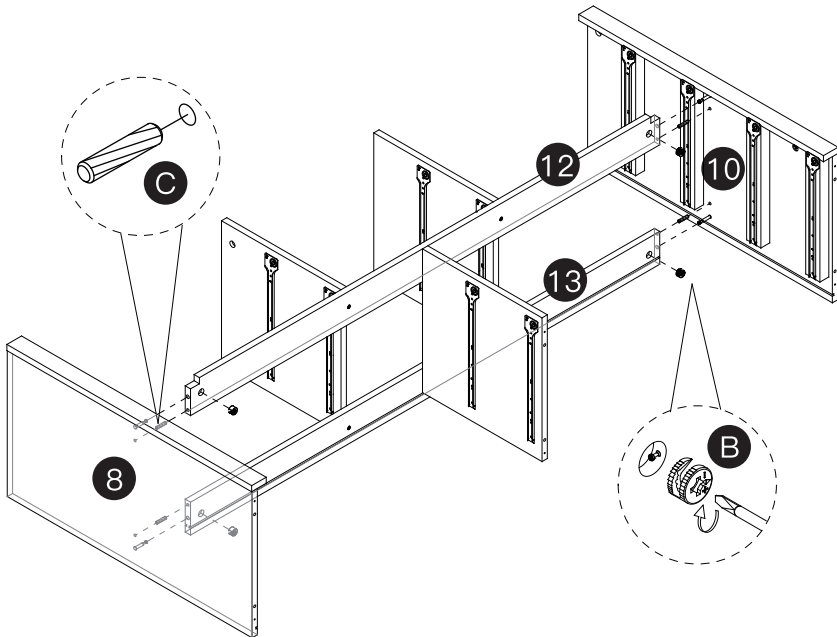
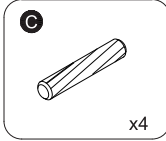
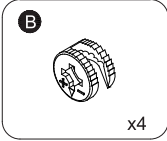
Step 8

Install part CR on part 10, use part F to screw them.
Install part CL on part 8, use part F to screw them.
Install part A on part 11 & 8 & 10.

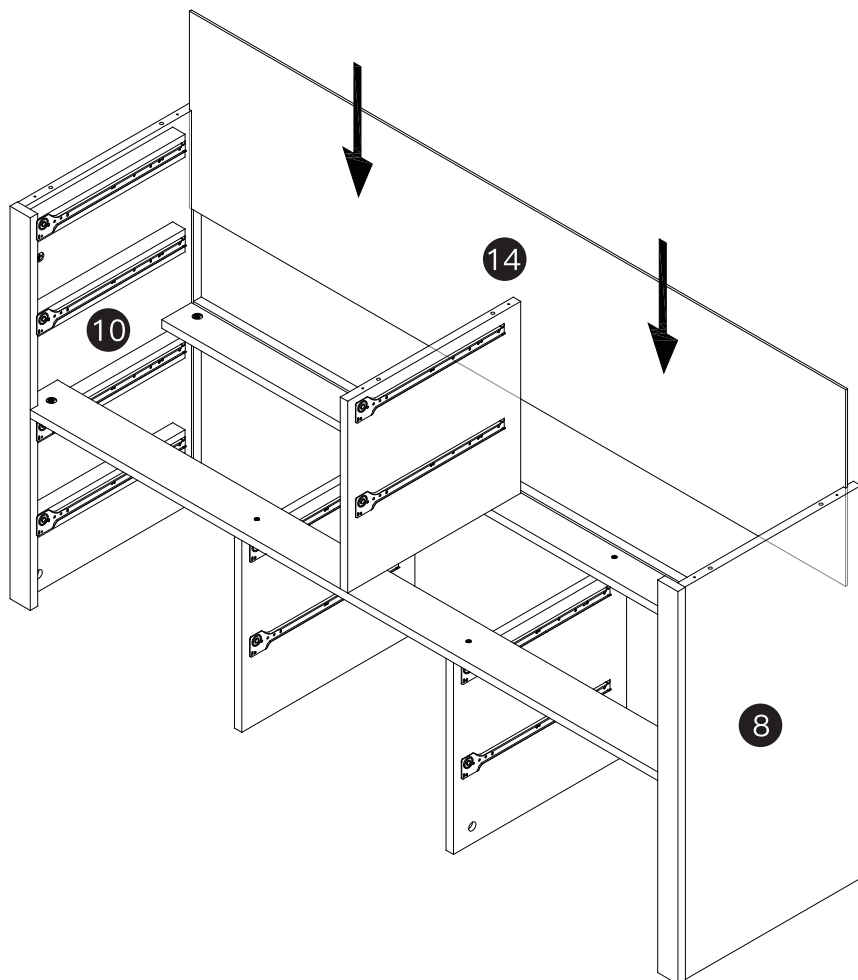
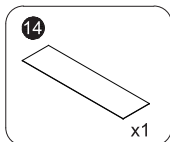


Step 9

Install part **8** & **10** on part **12** & **13**, use part **C** & **B** to screw them.

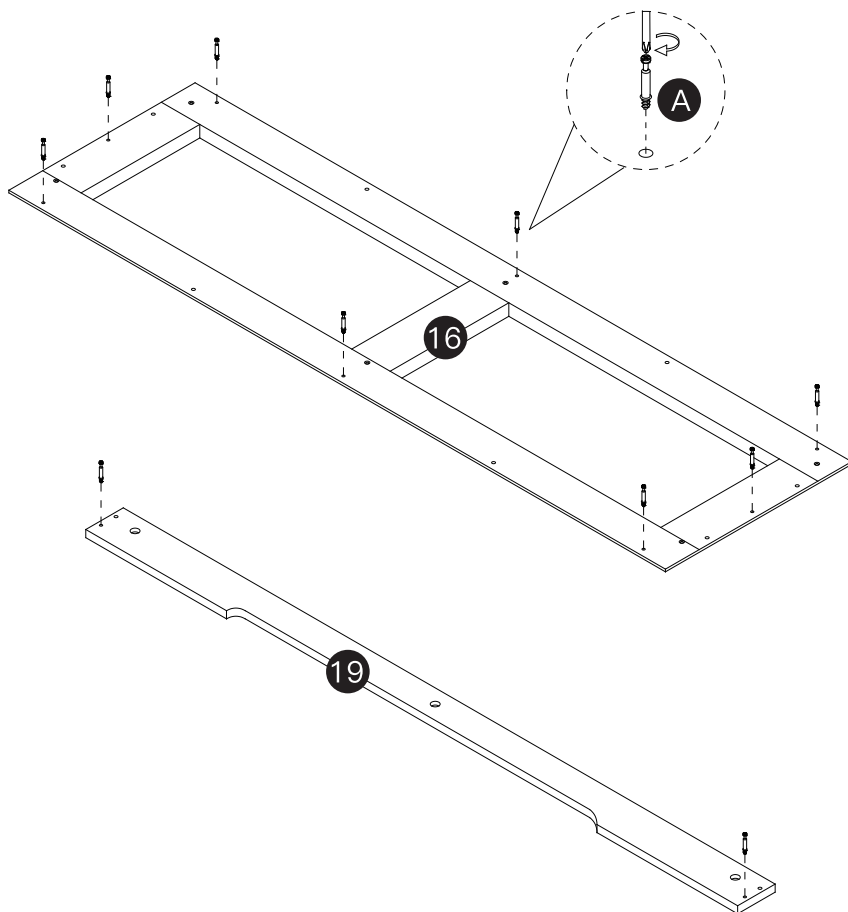
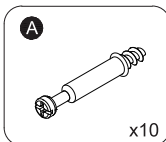
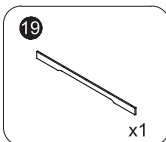
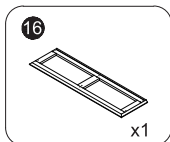


Step 10 Insert part 14 into part 8 & 10.



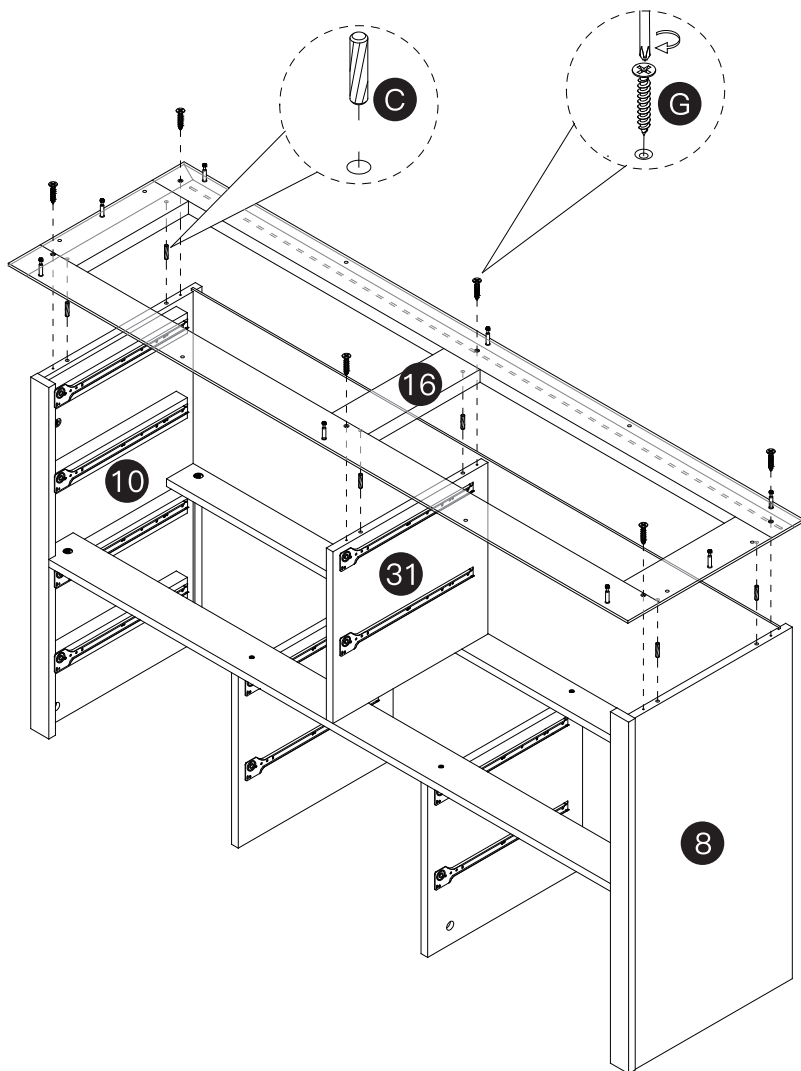
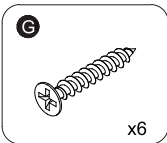
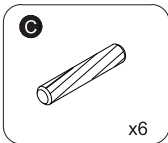
Step 11

Install part **A** on part **16** & **19**.



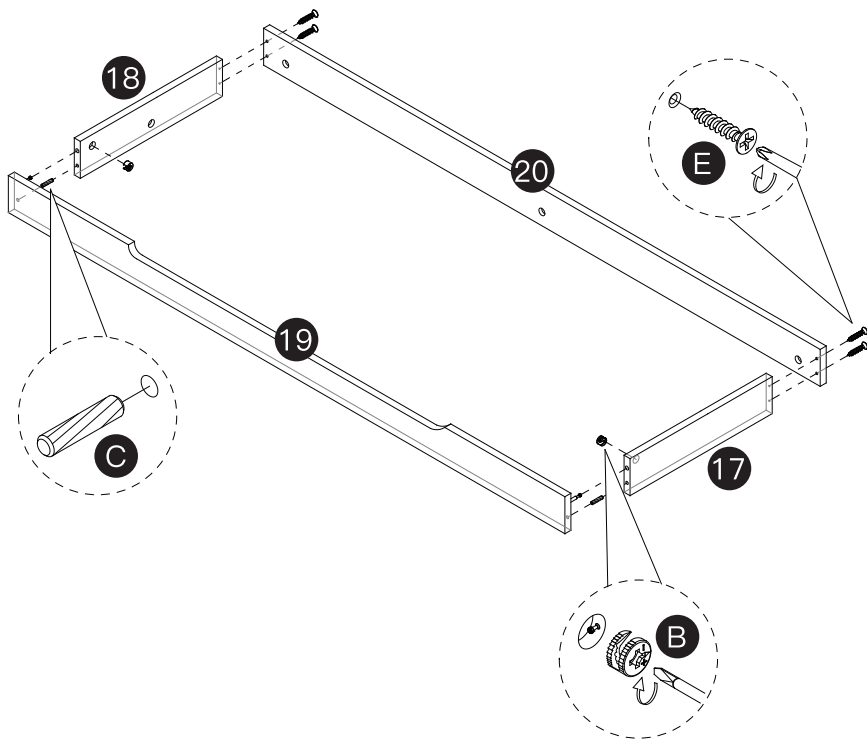
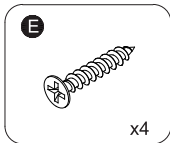
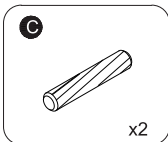
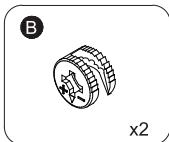
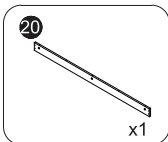
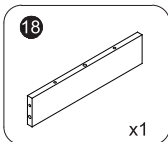
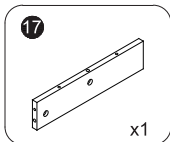
Step 12

Install part **16** on part **8** & **10** & **31**, use part **C** & **G** to screw them.



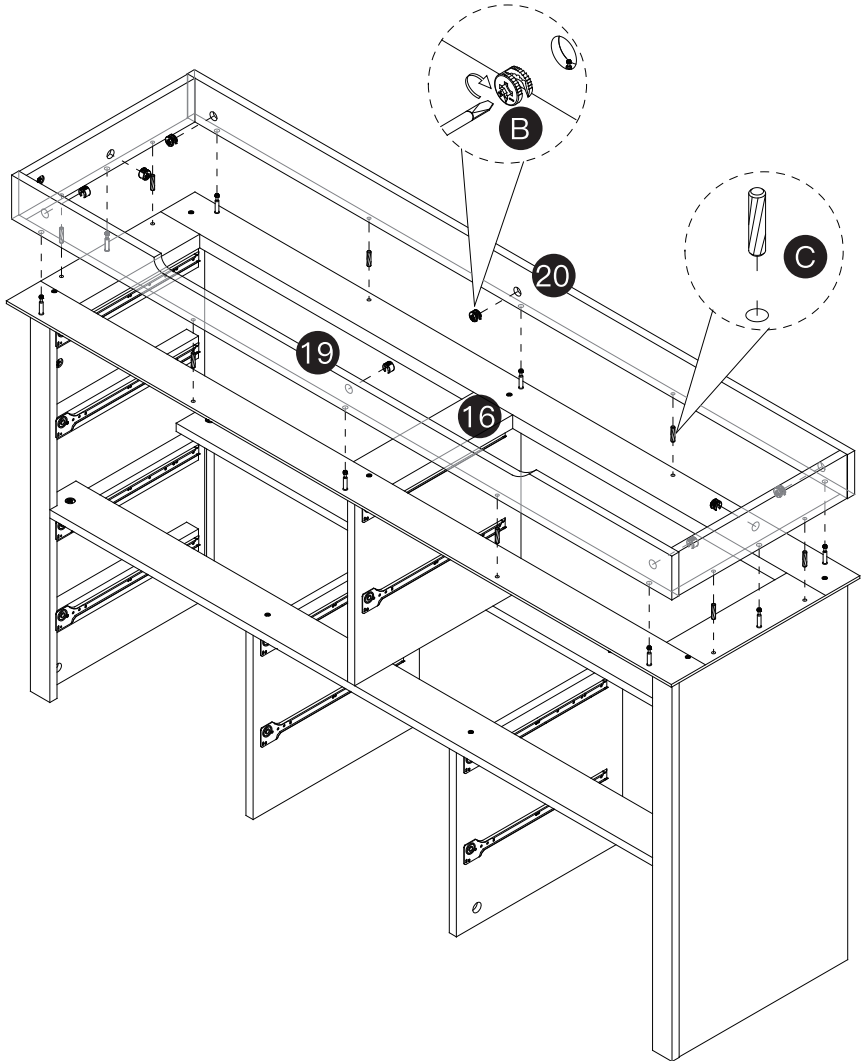
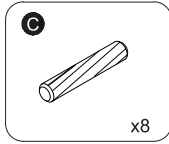
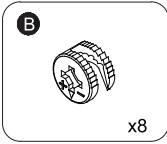
Step 13

Install part **17** & **18** on part **19** & **20** with part **C** & **E** & **B**.



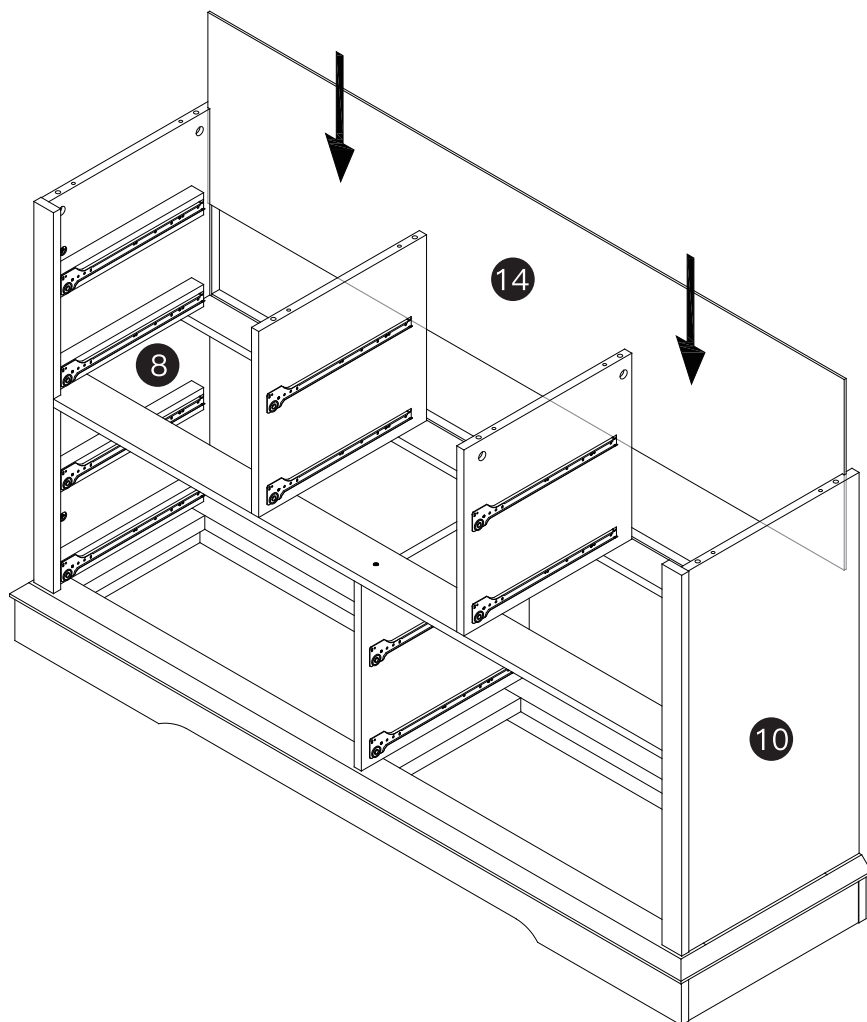
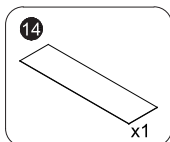
Step 14

Install last part on part **16**, use part **B** & **C** to screw them.



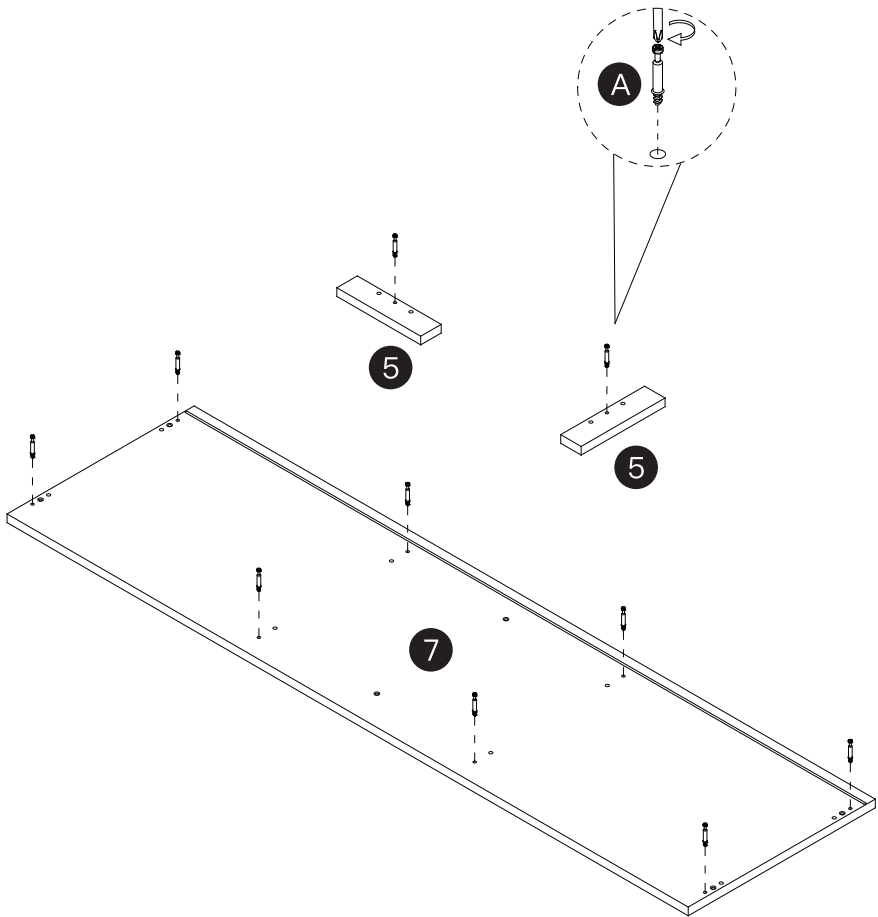
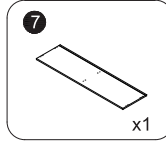
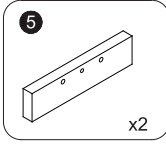
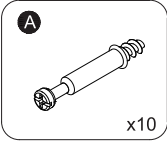
Step 15

Insert part 14 into part 8 & 10.



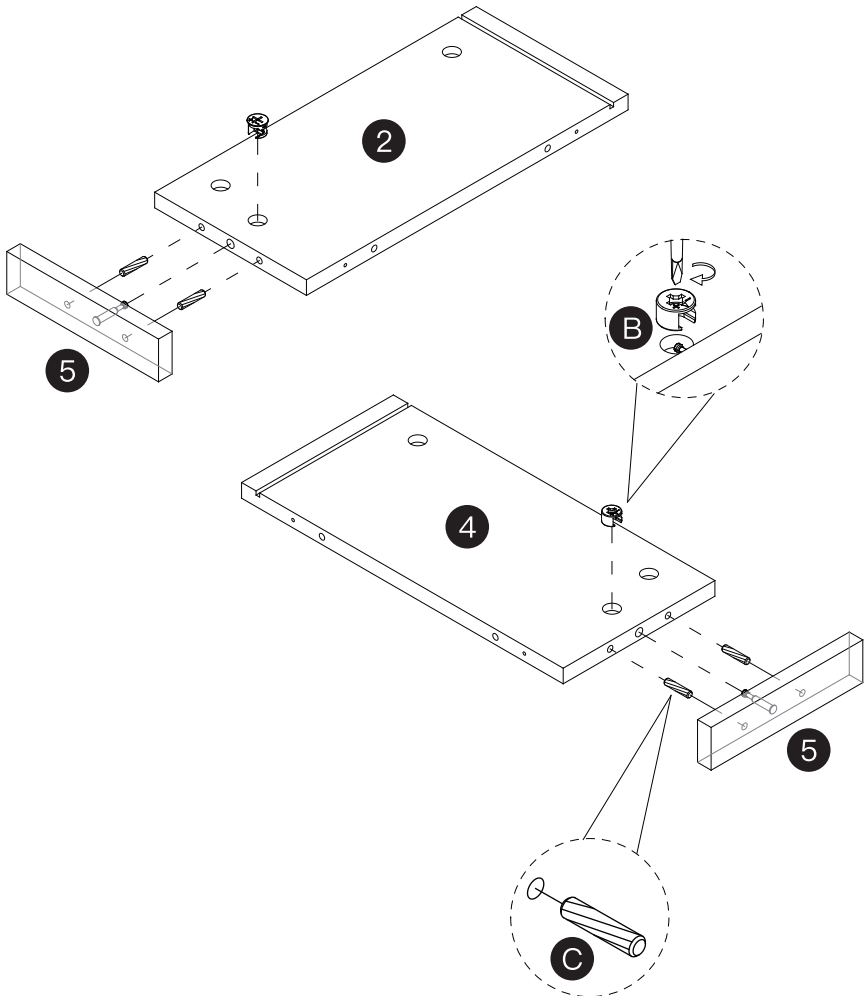
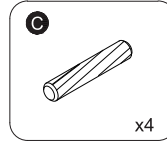
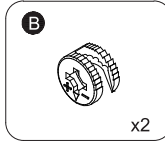
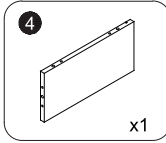
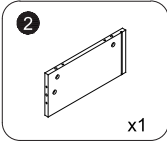
Step 16

Install part **A** on part **5** & **7**.



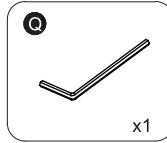
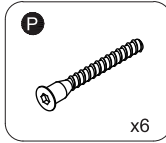
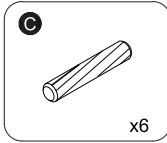
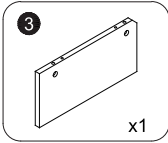
Step 17

Install part 5 on part 2 and part 4 respectively with part B & C.



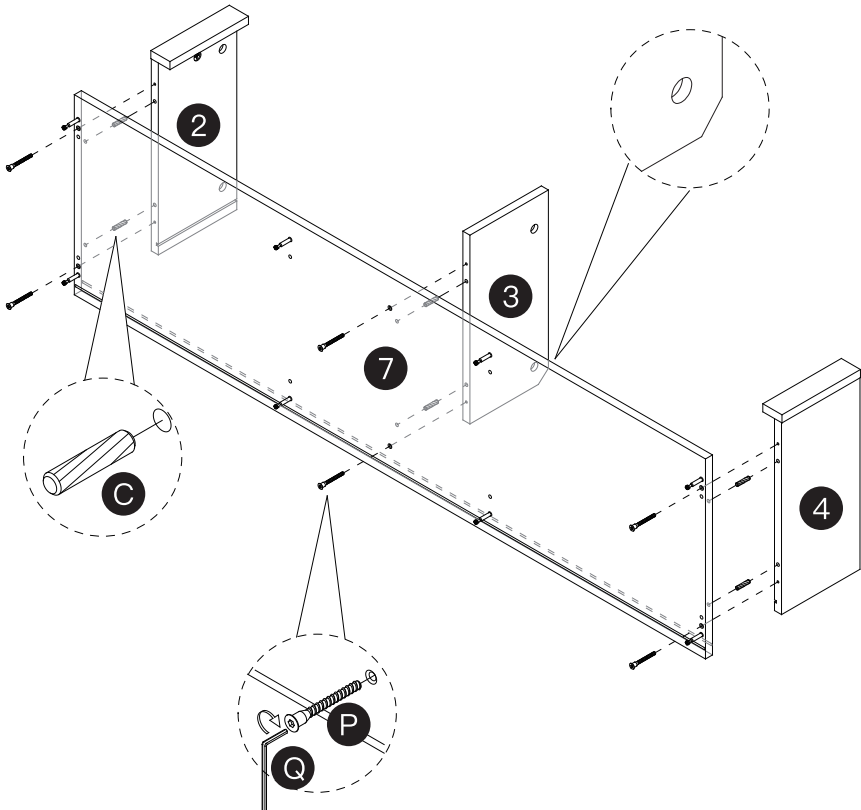
Step 18

Install part 2 & 3 & 4 on part 7, use part C & E to screw them.



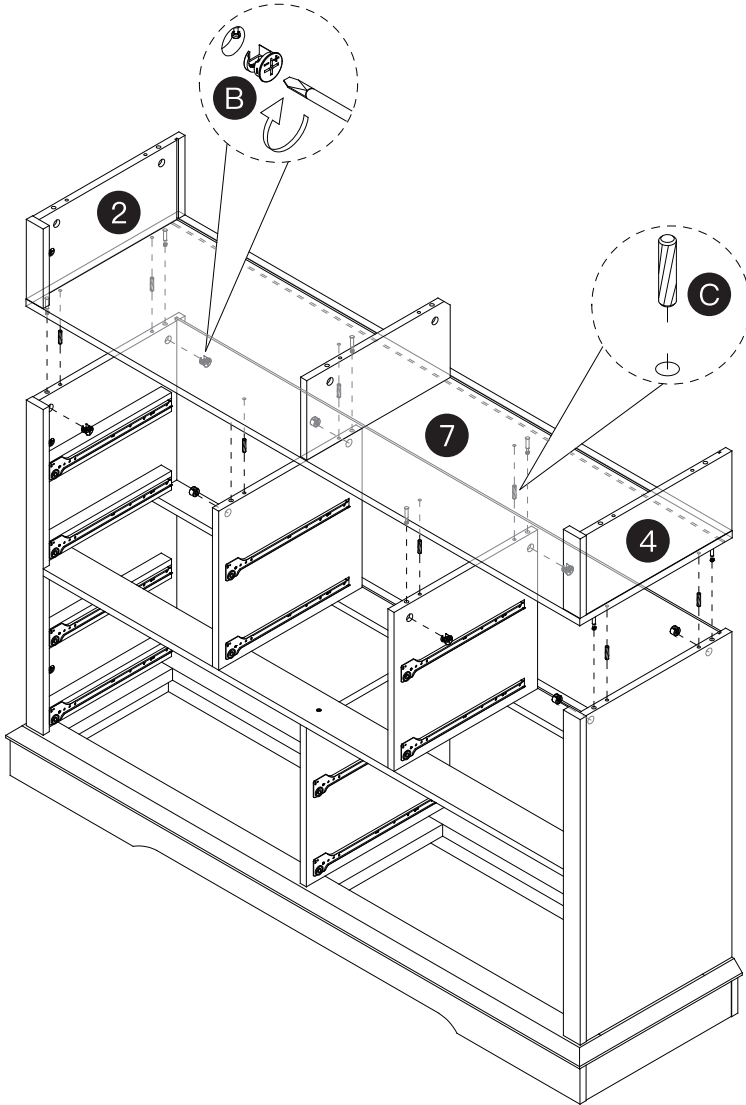
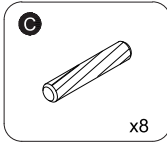
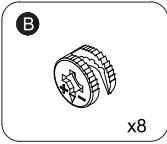
Notice:

Make sure the notched corner of part 3 is facing the backwards.



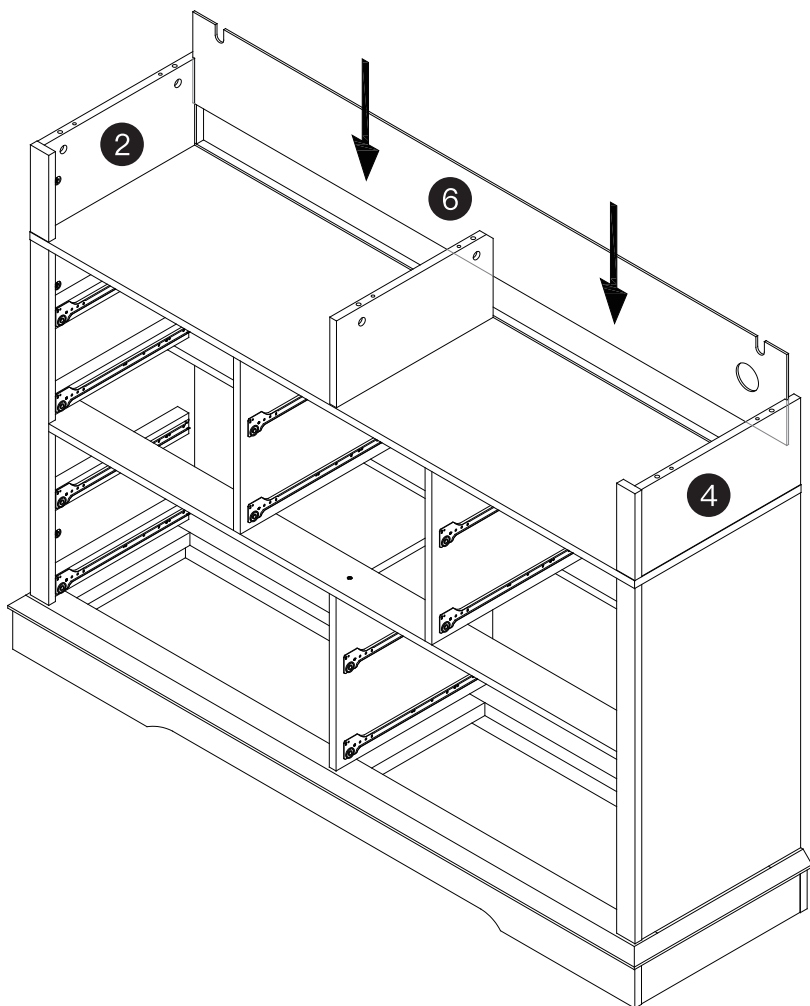
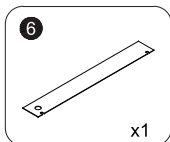
Step 19

Install part **7** on the frame, use part **B** & **C** to screw them.



Step 20

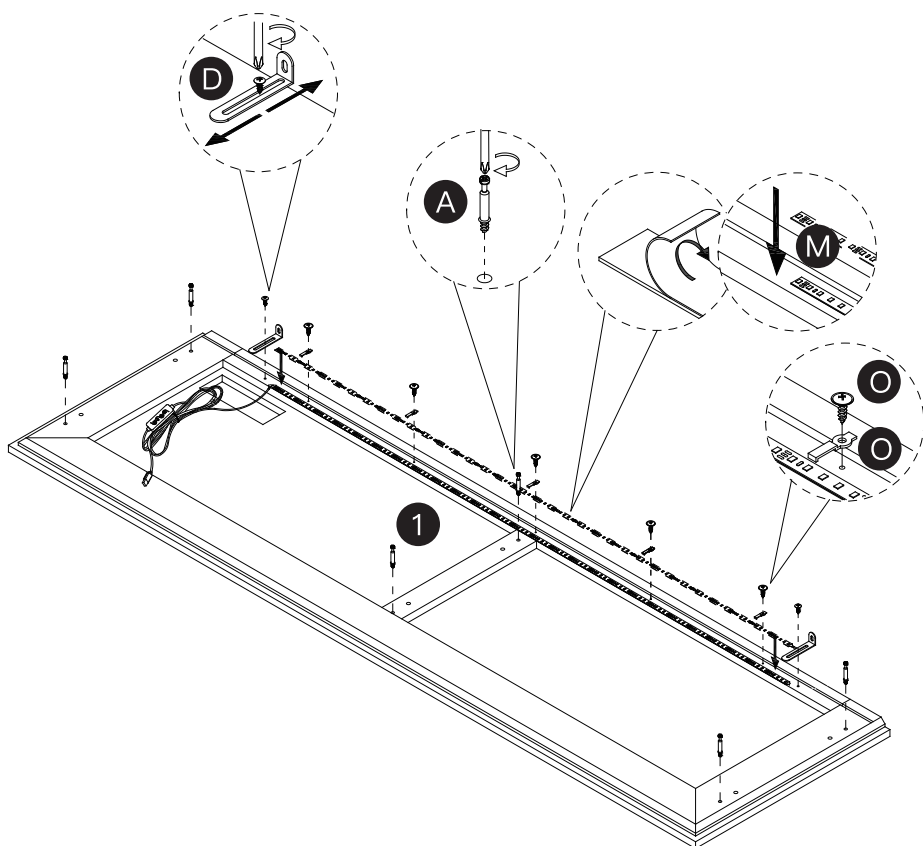
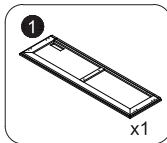
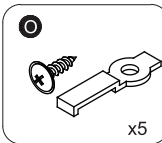
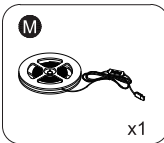
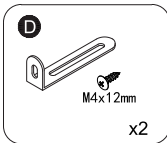
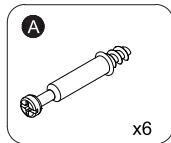
Insert part 6 into part 2 & 4.



Step 21

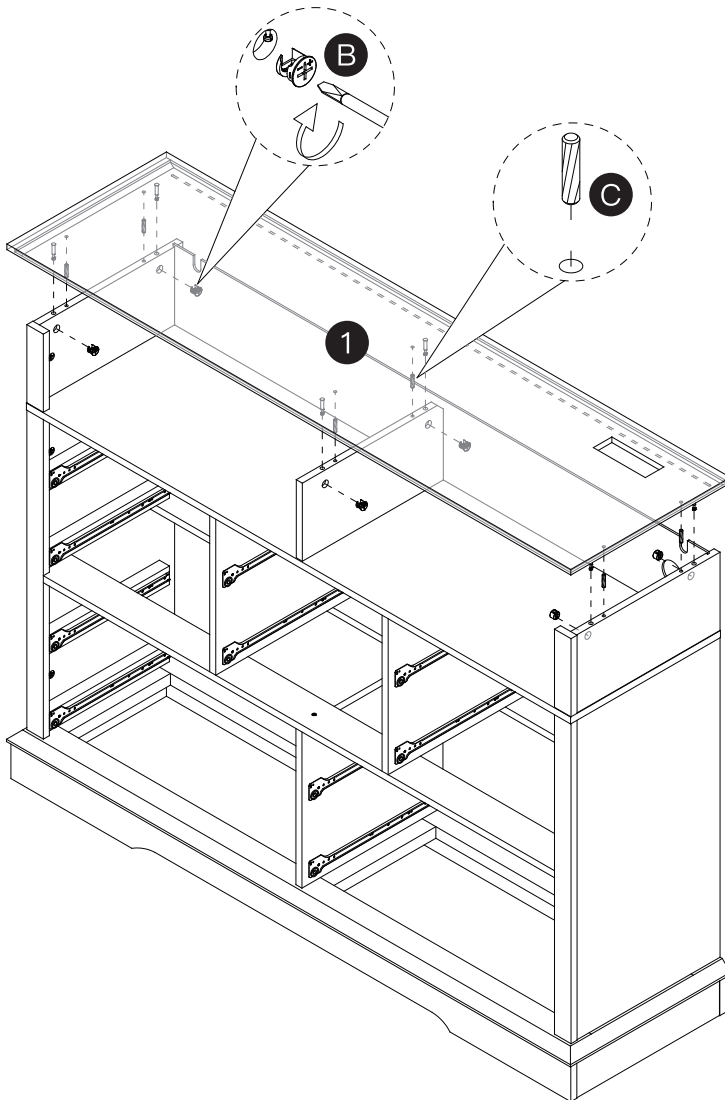
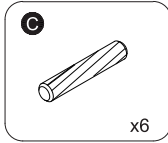
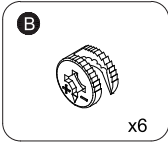
Install part **A** & **D** on part **1**.

Install part **M** on part **1**, use part **O** to screw them.



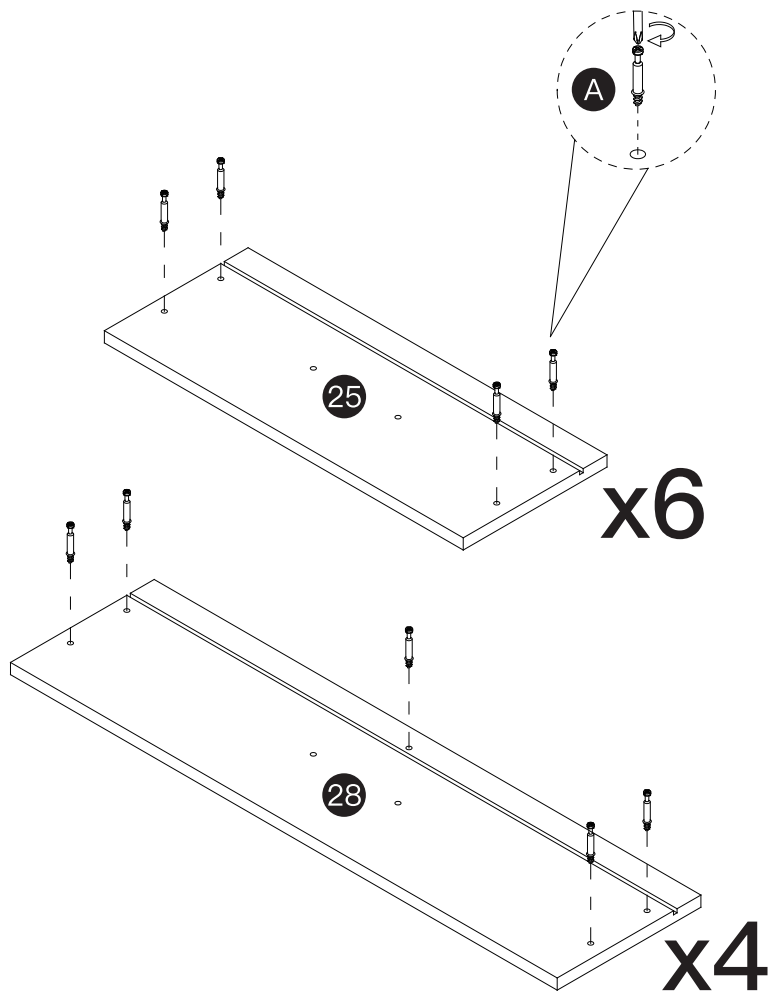
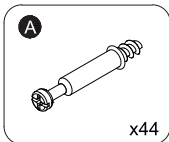
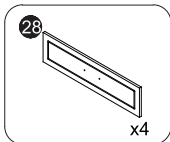
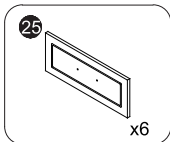
Step 22

Install part **1** on the top of the frame with part **C**, use part **B** to screw them.



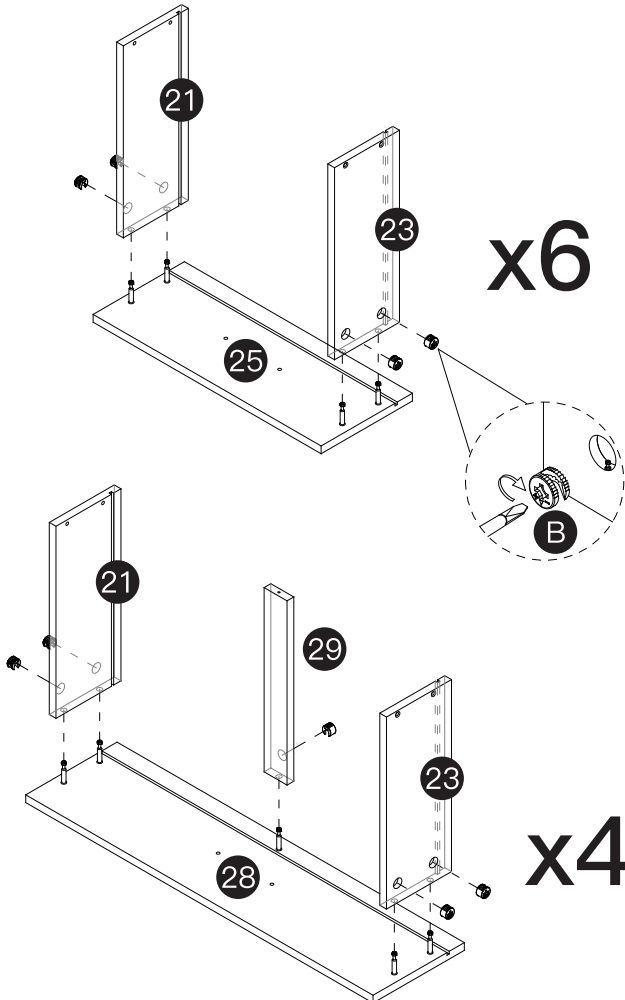
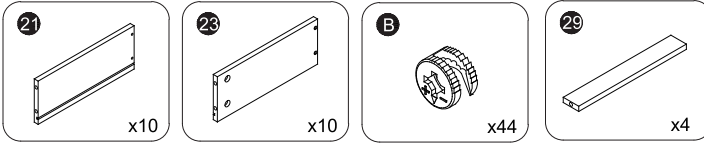
Step 23

Install part **A** on part **25** & **28**.



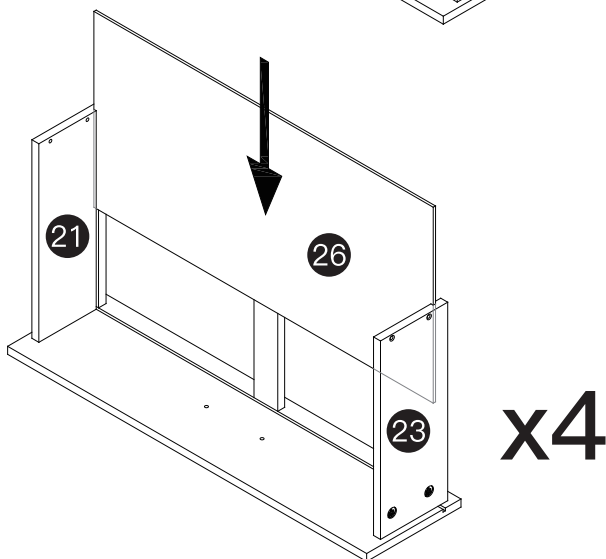
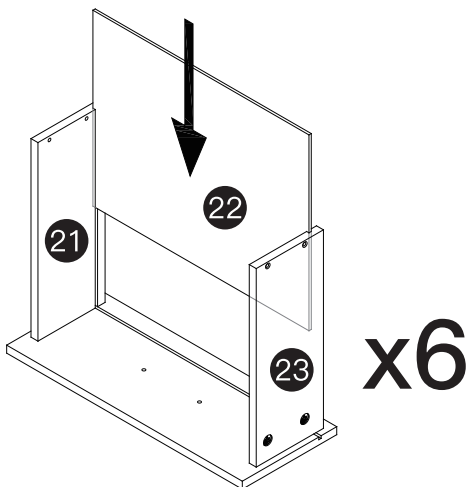
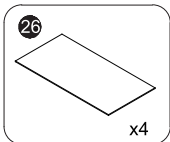
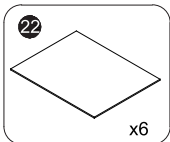
Step 24

Connect part 21 & 23 with part 25 and part 28 respectively, use part B to screw them. Install part 29 on part 28, use part B to screw them.



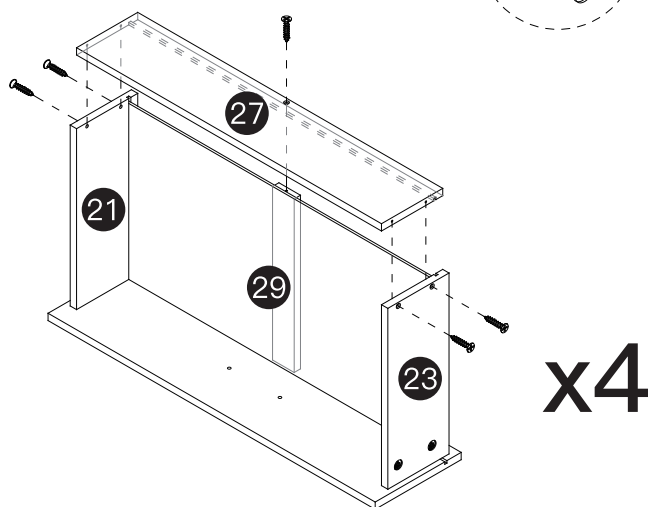
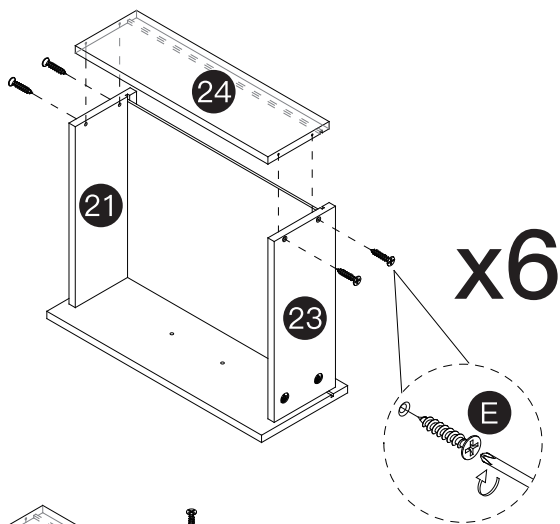
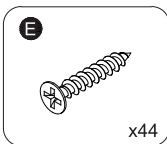
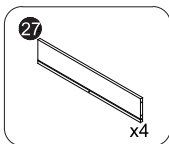
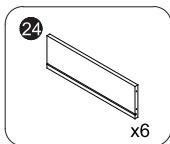
Step 25

Insert part 22 & 26 into part 21 & 23.



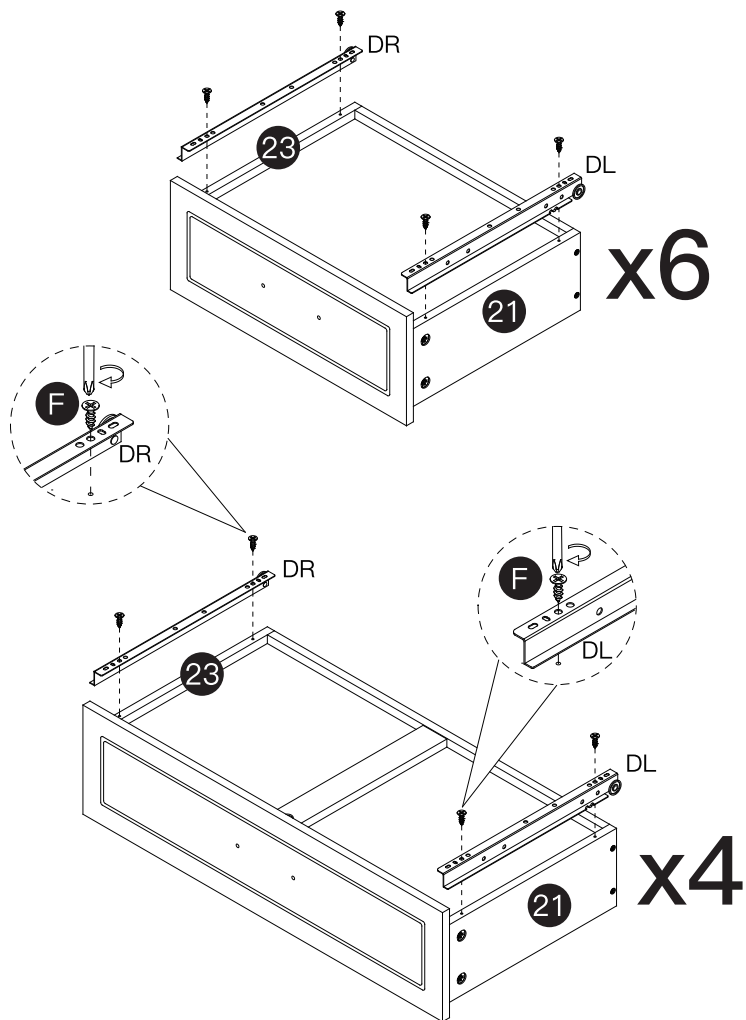
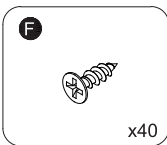
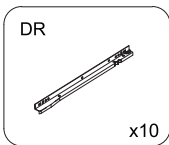
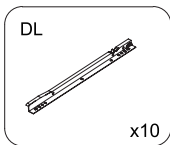
Step 26

Install part 24 & part 27 on part 21 & 23, use part E to screw them.



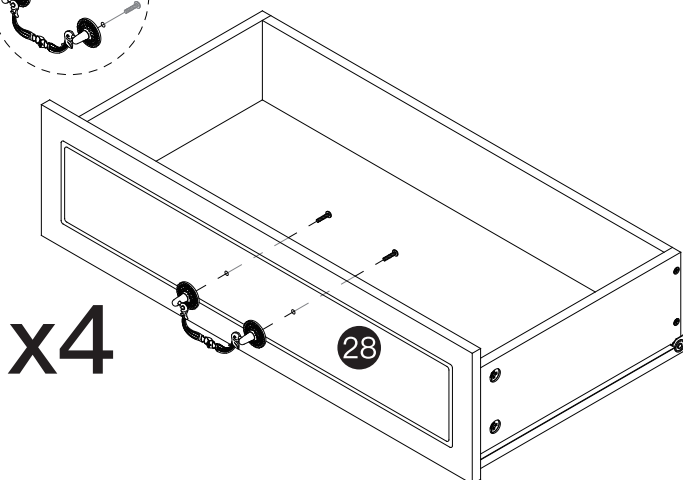
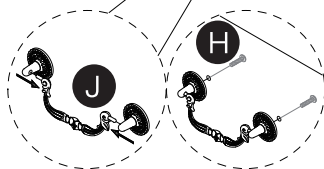
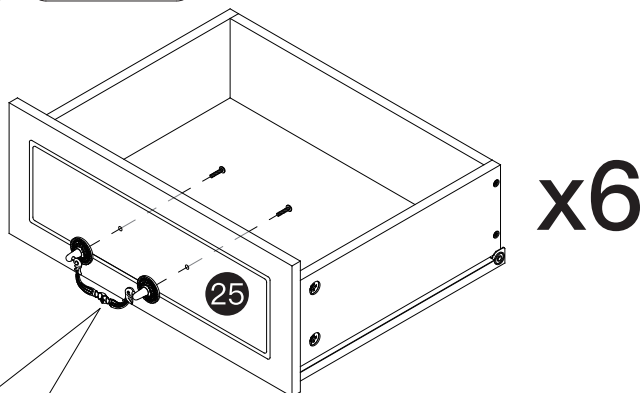
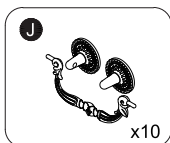
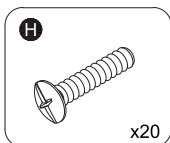
Step 27

Install part DL & DR on part 21 & 23, use part F to screw them.



Step 28

Install part **J** with part **H** on part **25** & **28**.

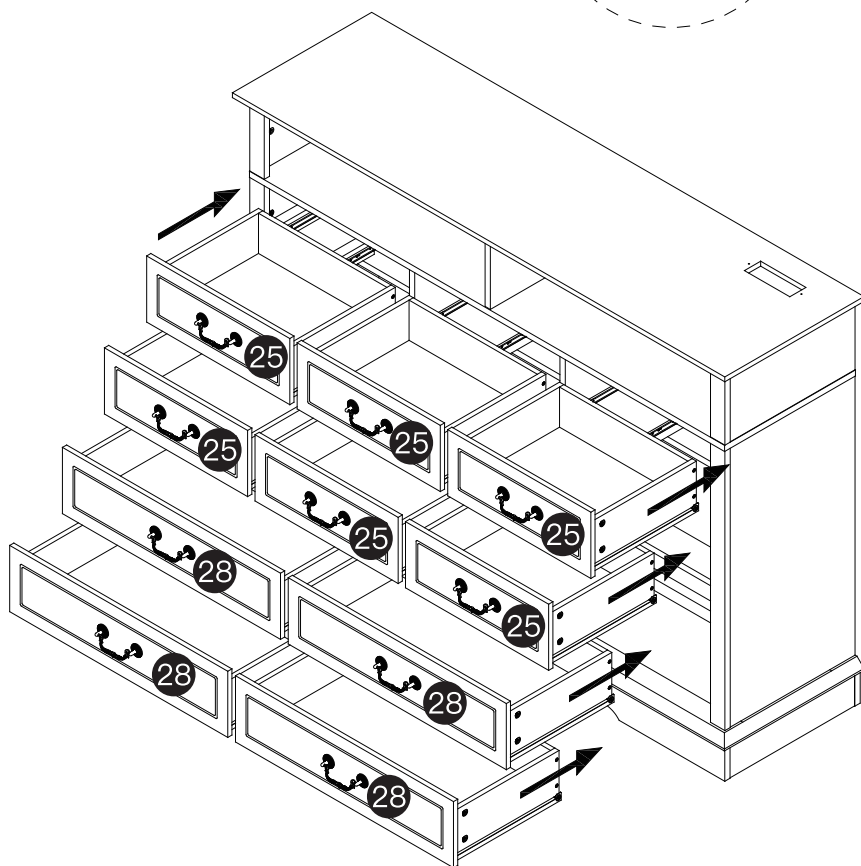
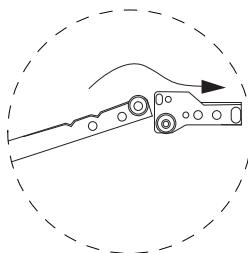


Notice:

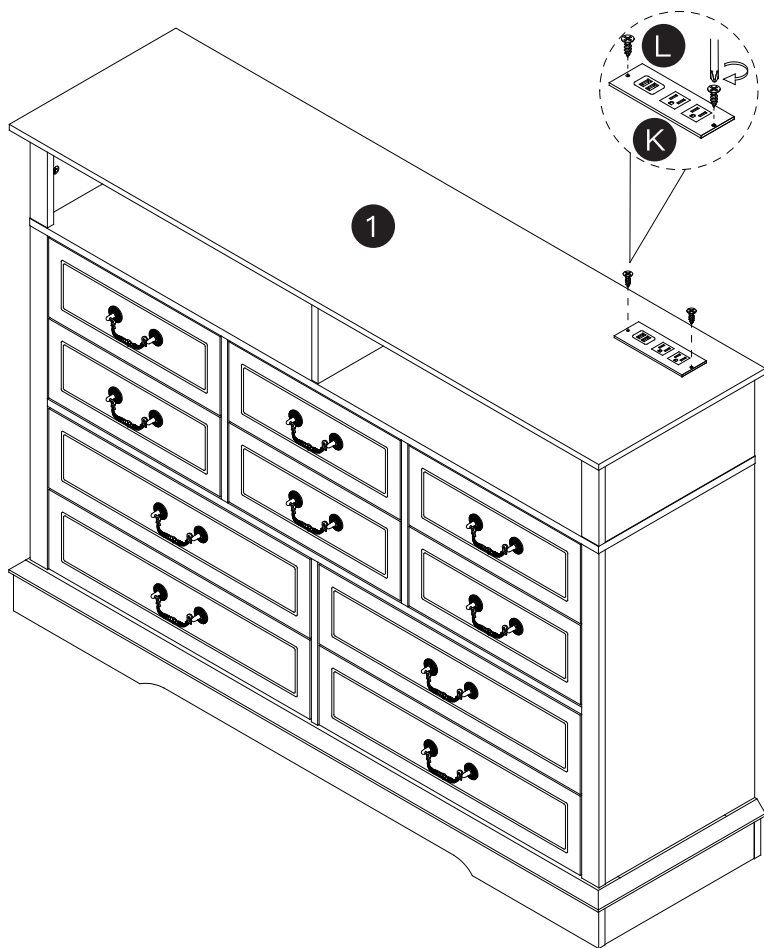
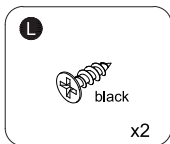
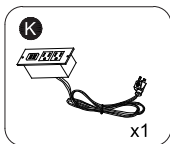
Part **J** consists of three parts, which require assembly during installation. Install the middle handle before tightening the screws.

Step 29

Align and put all drawers in.

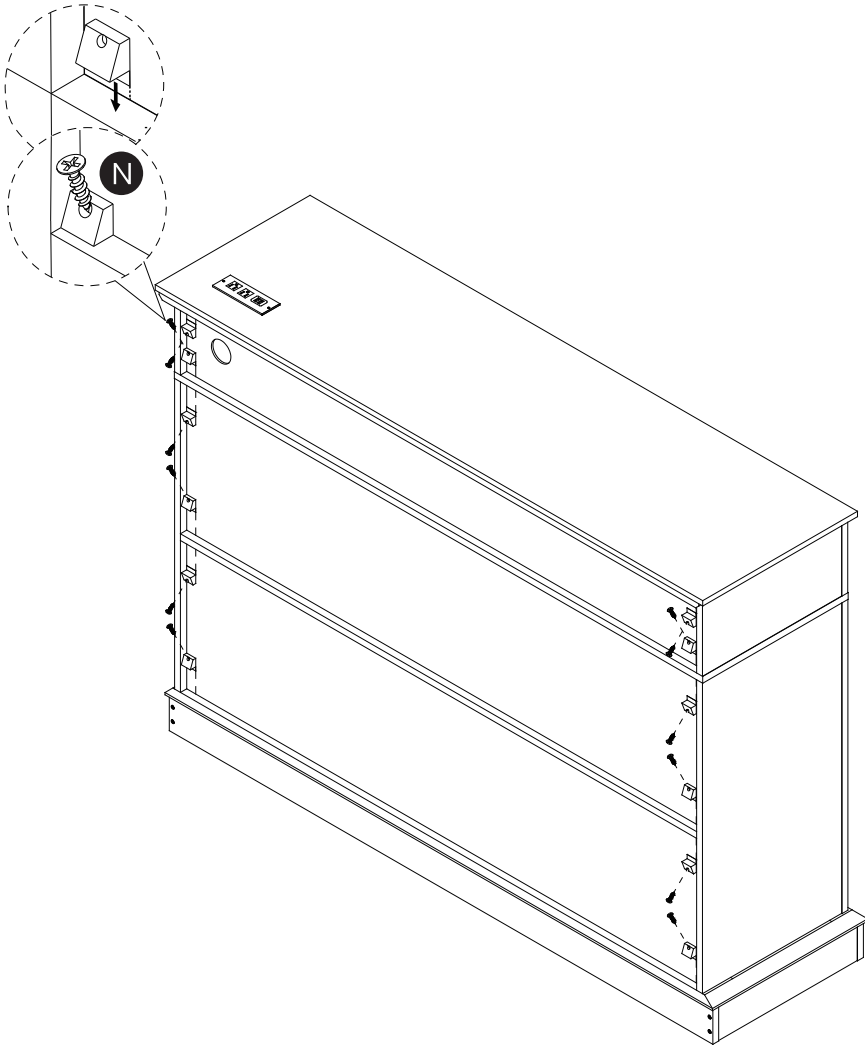
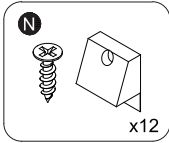


Step 30 Install part **K** with part **L** on part **1**.



Step 31

Insert part **N** along the grooves of backboard, and screw them for better stability.



Step 32

(Optional) Drill two holes on a solid wall, then insert part **D**. Lock them tight to fix them with the wall.

