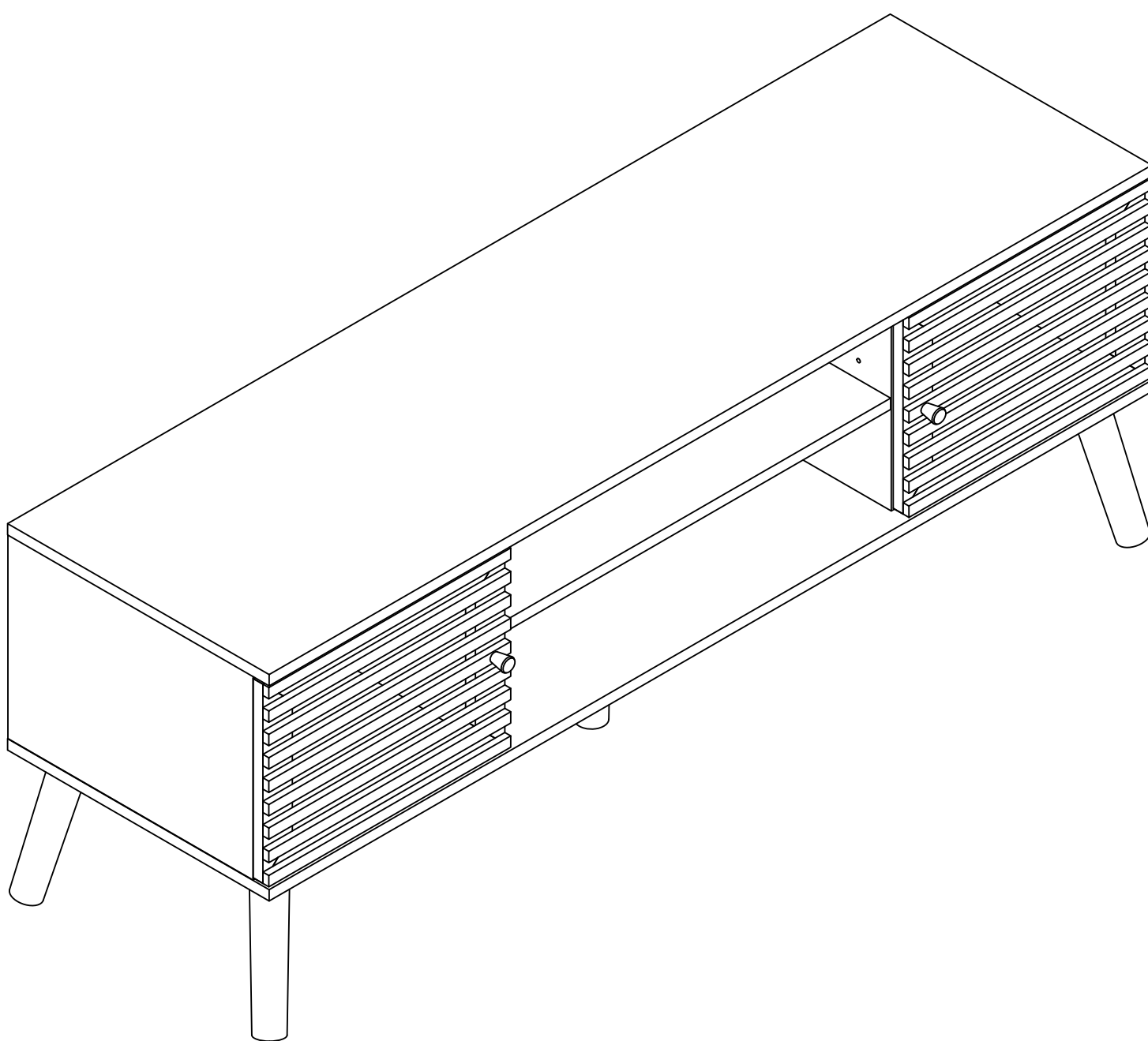


TV Stand



Made in China

For a Hassle-Free Installation

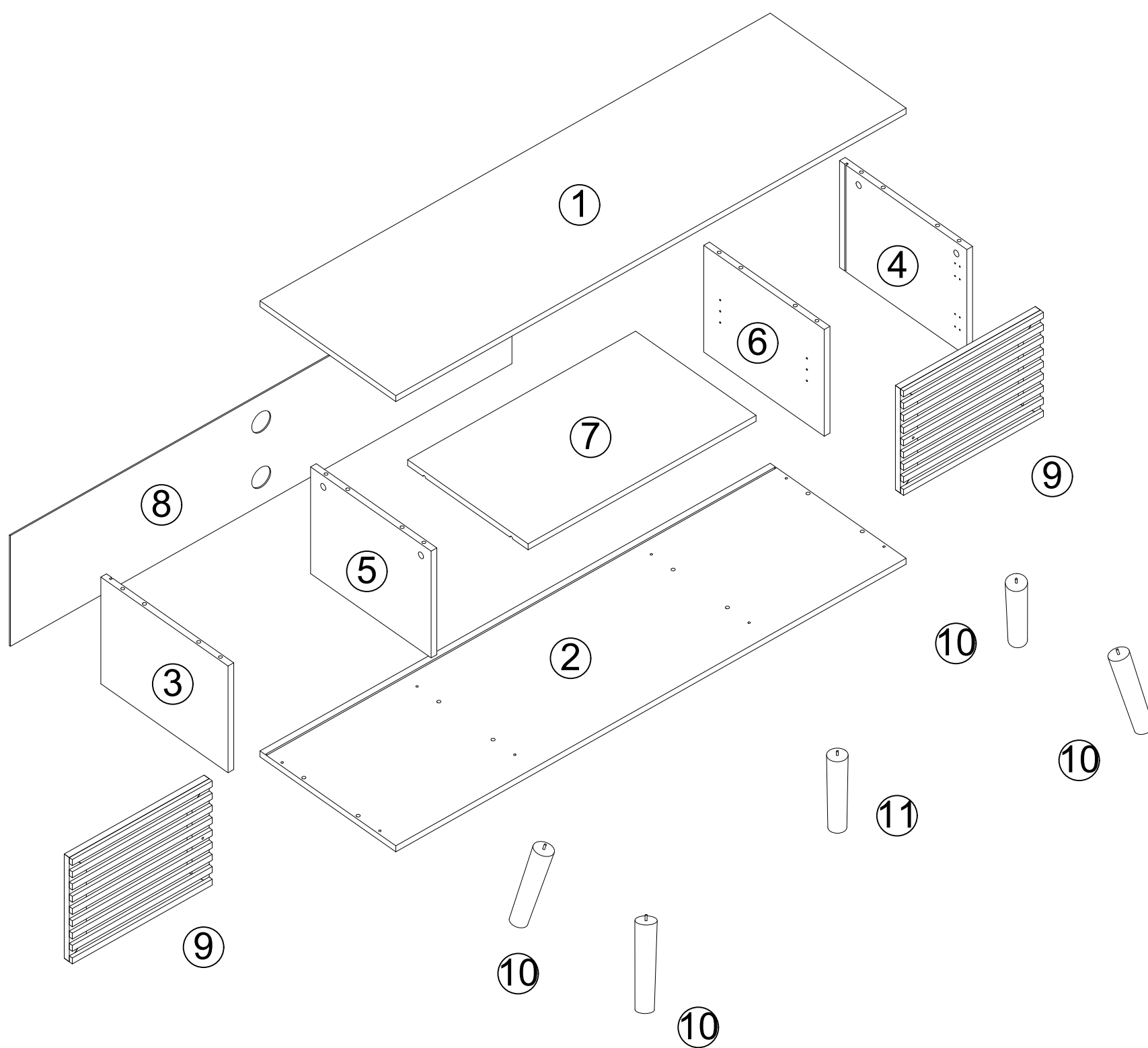
1. Ensure you have received all cartons and familiarize yourself with the workload. Make sure there are enough helping hands to assist you, and that you have allocated the time required to assemble your new product.
 2. Make sure you have cleared enough space in your home for the assembly. We recommend protecting your floor with a mat or cardboard to avoid scratches during the assembly process.
 3. Read instructions carefully and check no parts are missing.
 4. Lay out all hardware on a soft surface so you can easily identify them.
 5. Carefully identify all components according to the labeled alphabet to ensure that the parts are in the correct place.
 6. Install your new product carefully following the instructions. Don't skip ahead!
- * If any parts are missing or damaged, we will gladly ship you replacement parts free of charge. Please contact us order ID and the Store Name of your purchase, we're always here to help :)

WARNING

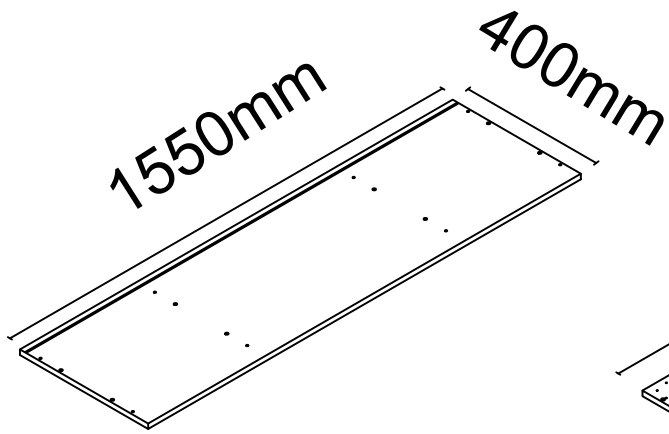
Serious or fatal injury may occur from unexpected assembly or use.

1. During the assembly process, keep all parts away from babies or children.
2. Always securely fix this product to the wall. Make sure the wall area to be drilled is free from hidden electrical wires, water and gas pipes.
3. Use of tip-over restraints may only reduce, but not eliminate the risk of tip-over.
4. Unless specially designed to accommodate, do not set heavy objects on top of this product.
5. Place the heaviest items on the lowest shelf.
6. Never allow children to climb or bang on drawers, doors or shelves.

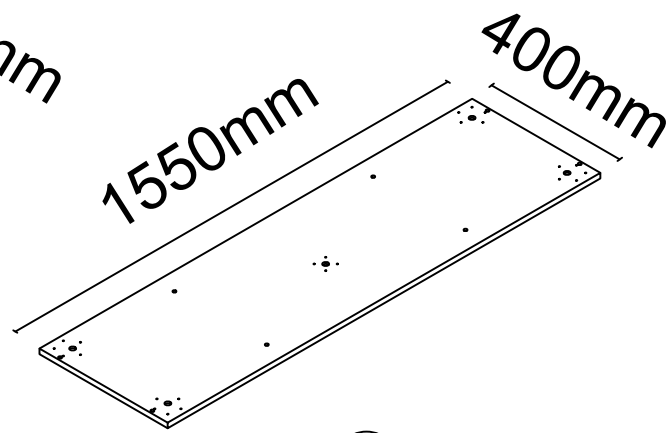
Parts List



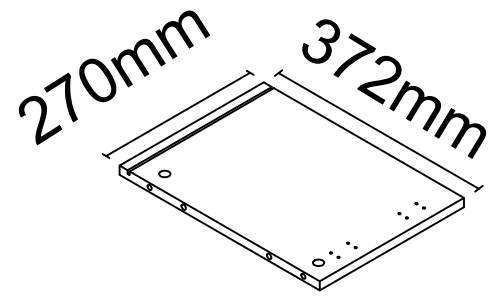
Parts List



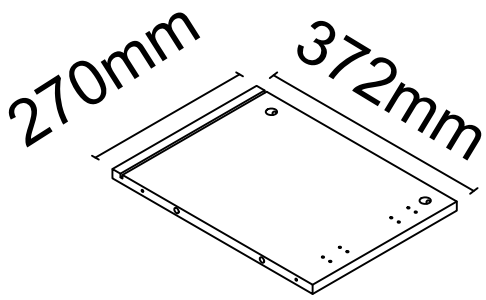
①
Qty:1



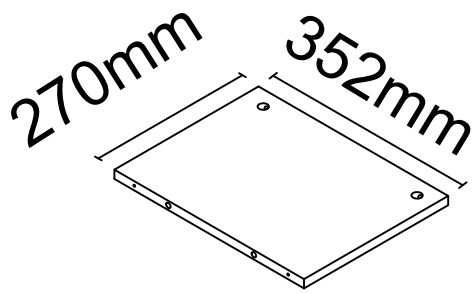
②
Qty:1



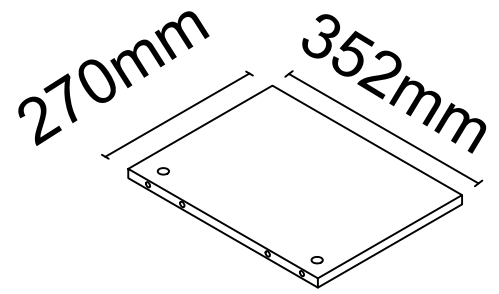
③
Qty:1



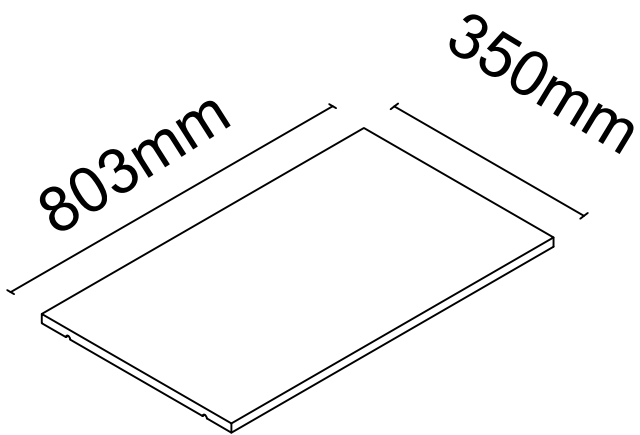
④
Qty:1



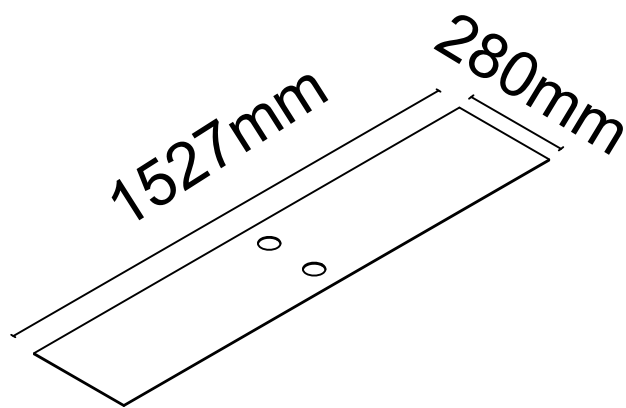
⑤
Qty:1



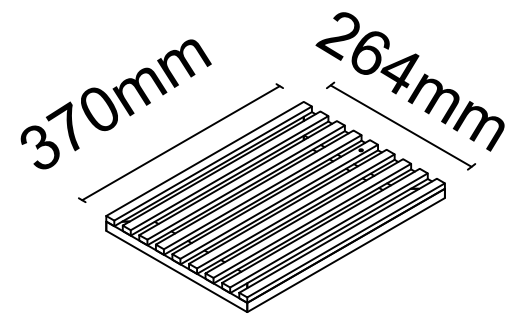
⑥
Qty:1



⑦
Qty:1

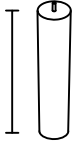


⑧
Qty:1




⑨
Qty:2

Parts List

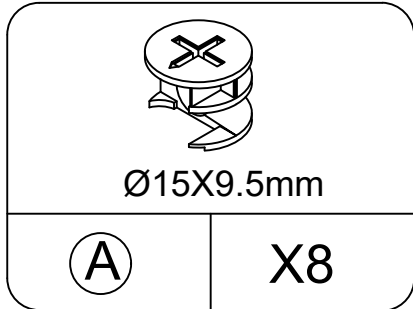
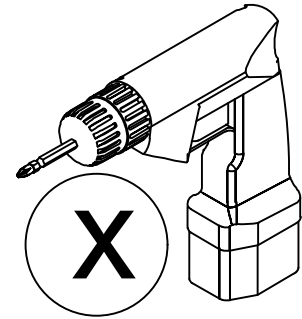
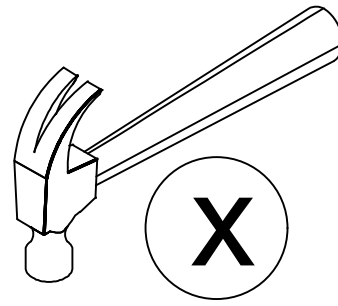
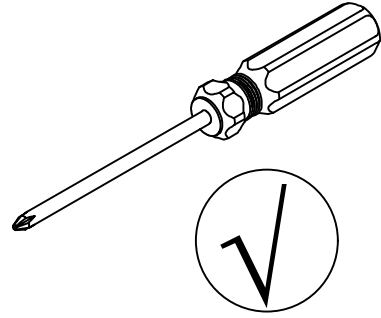
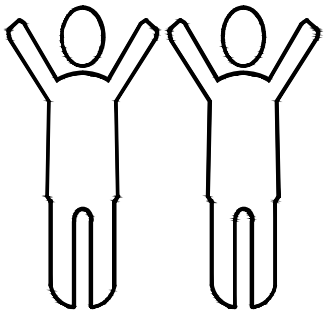
192mm 

⑩
Qty:4

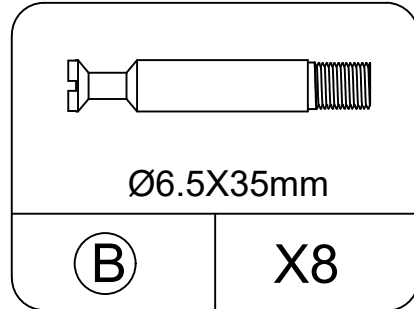
182mm 

⑪
Qty:1

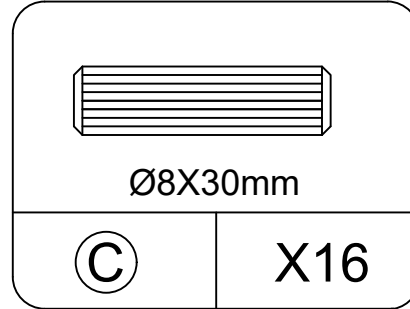
Hardware List



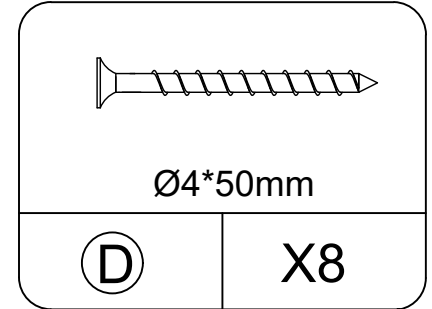
CAM LOCK
spare:2



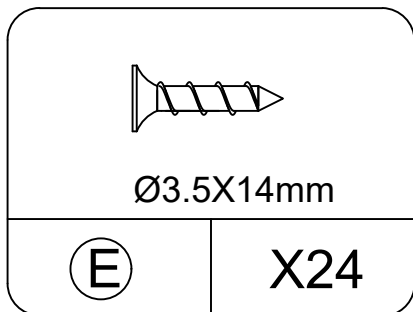
CAM BOLT
spare:2



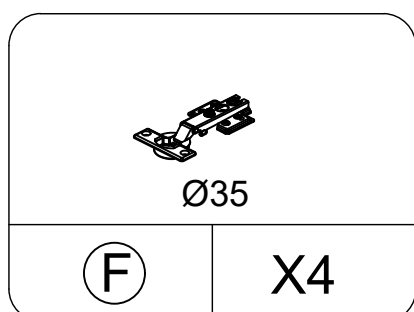
WOOD DOWEL
spare:2



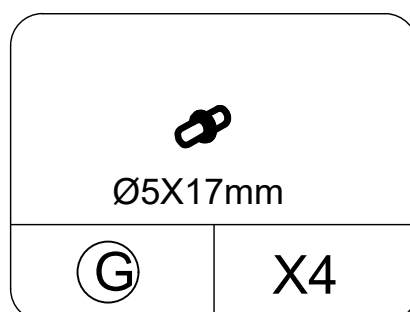
SCREW
spare:2



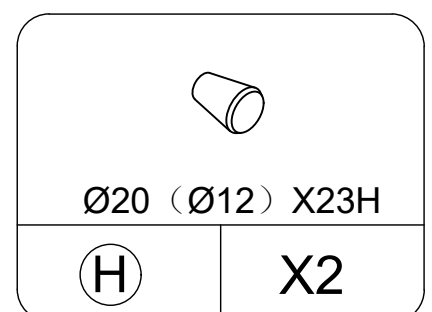
SCREW
spare:2



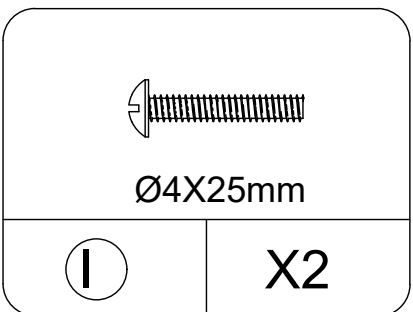
HINGE



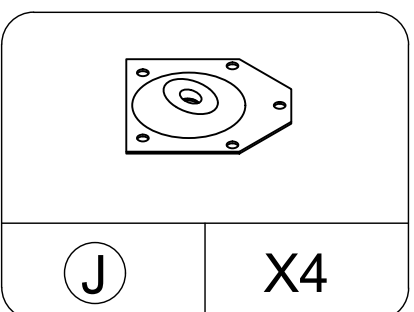
Activity board buckle
spare:1



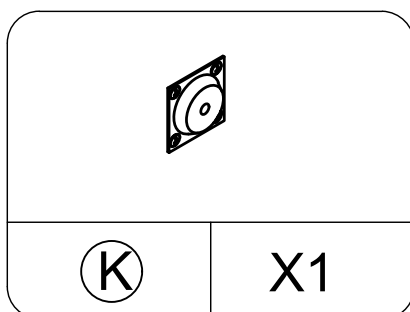
HANDLE



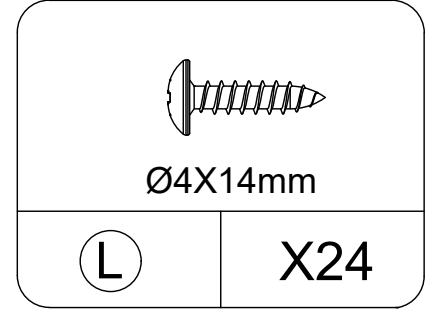
SCREW



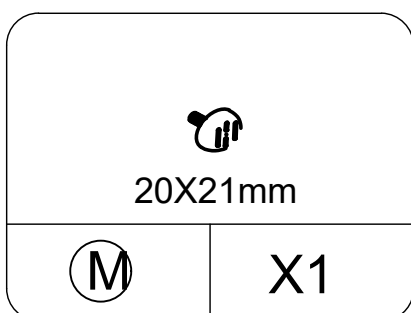
IRON SHEETS



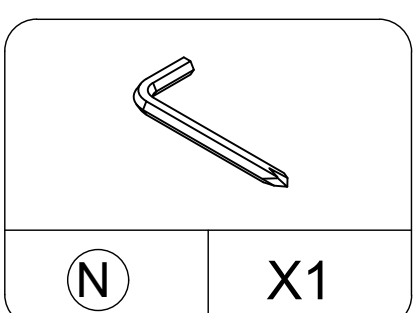
IRON SHEETS



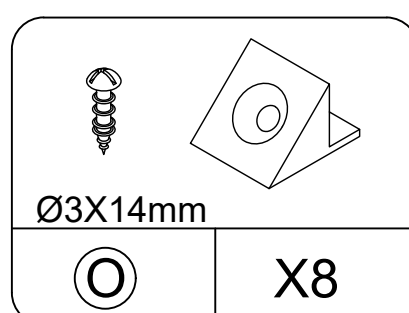
SCREW
spare:2



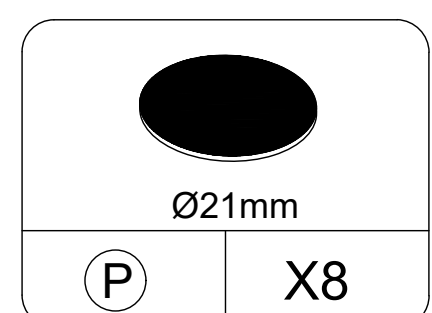
Adjusting the feet



HEX KEY



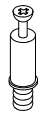
BACK PLATE BUCKLE
spare:1



PERFECT STICKER
spare:1

Assembly Steps

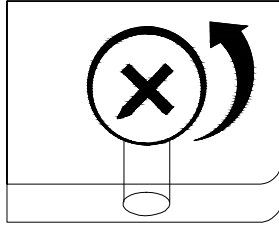
CAM BOLT INSTALLATION AS BELOW:



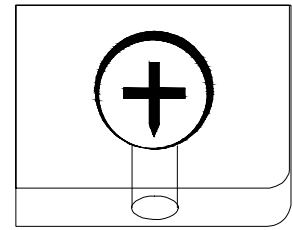
Cam bolt



Connecting piece



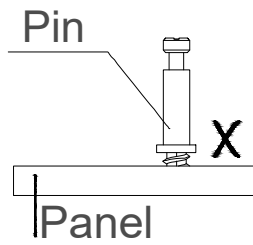
X



✓

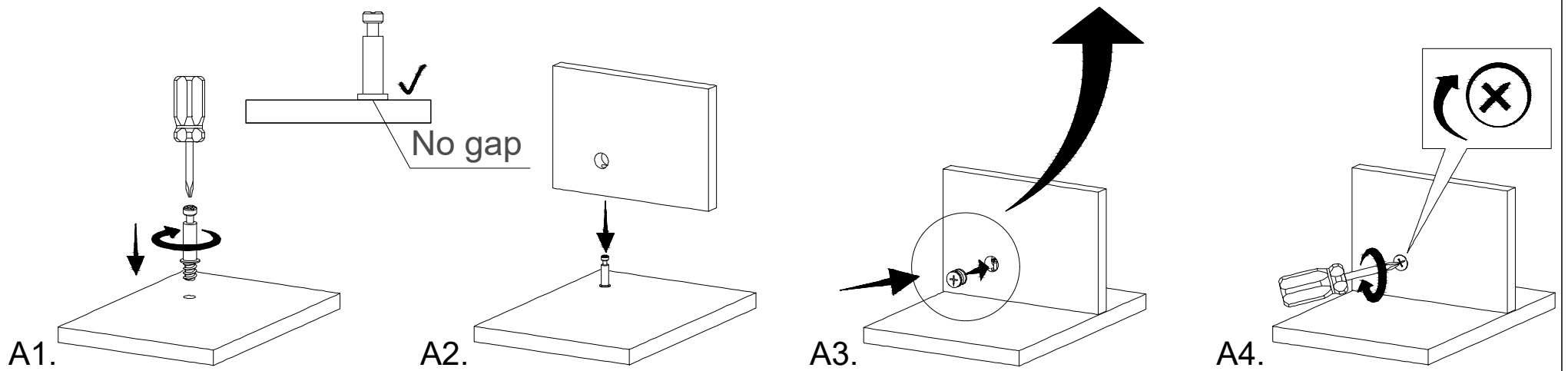
Rotate connecting piece if found in the position illustrated above.

Correct orientation to receive bolts.



Pin

Panel



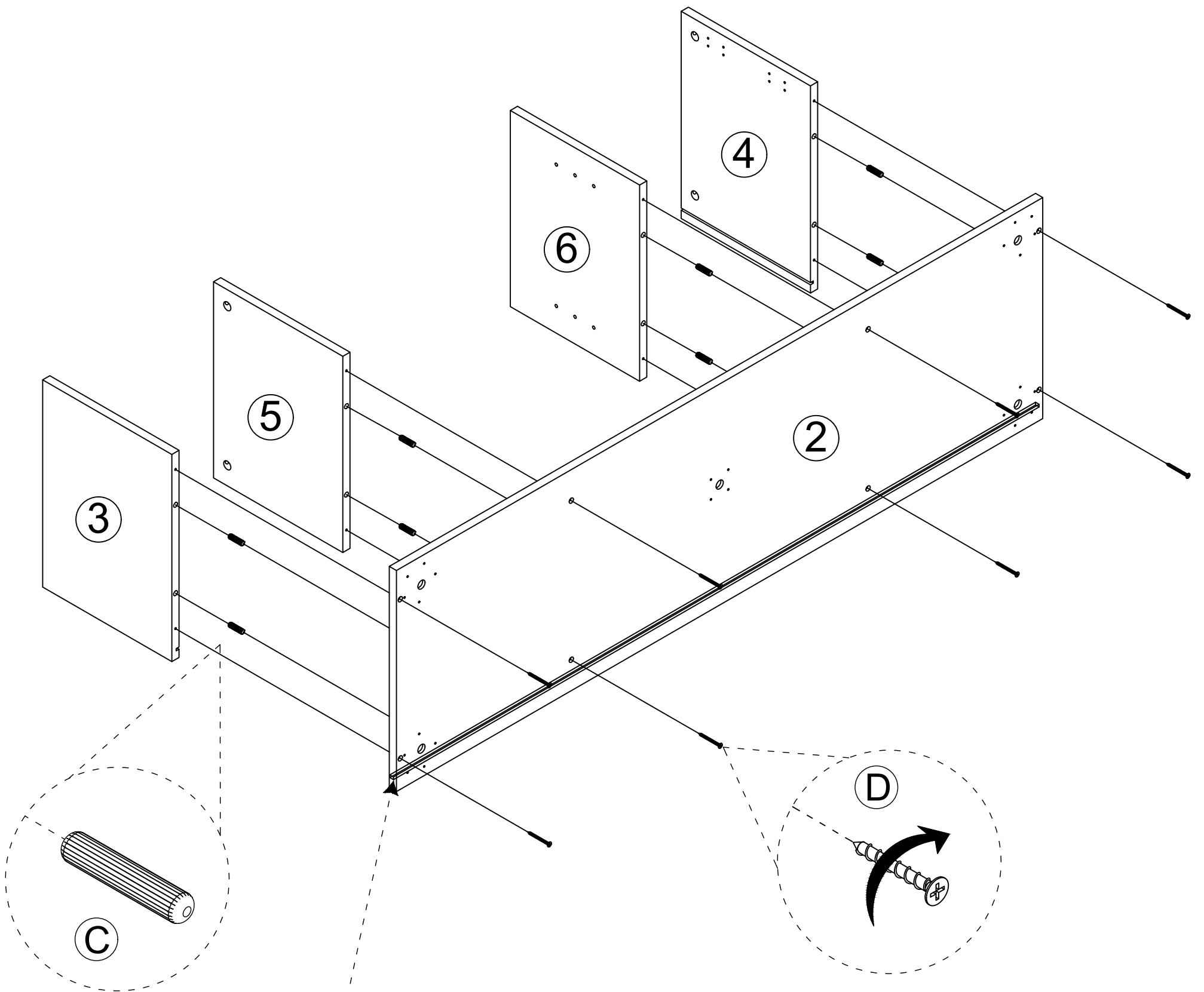
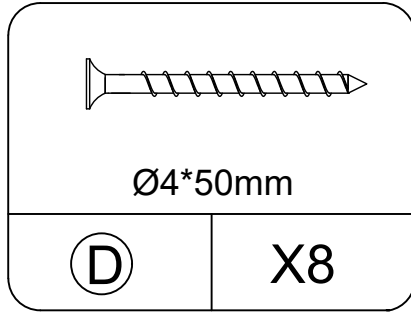
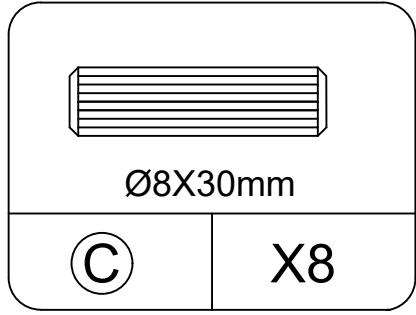
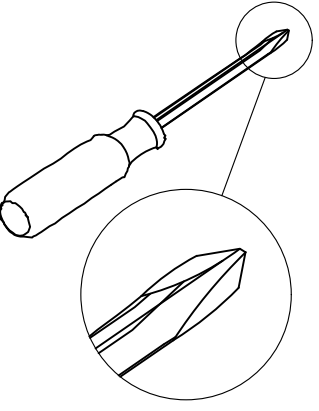
A1.

A2.

A3.

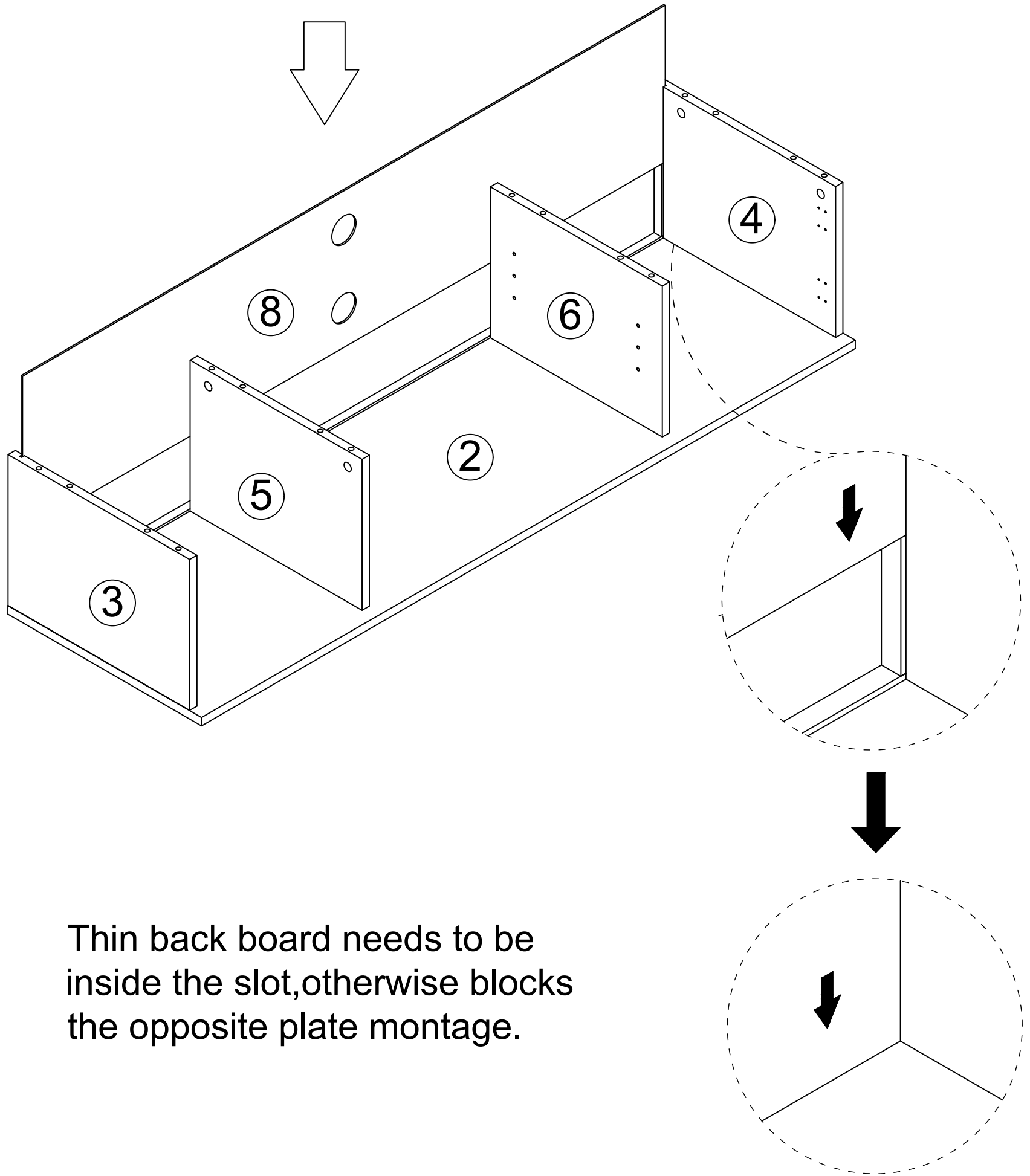
A4.

STEP 1

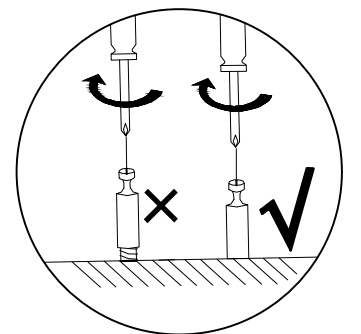
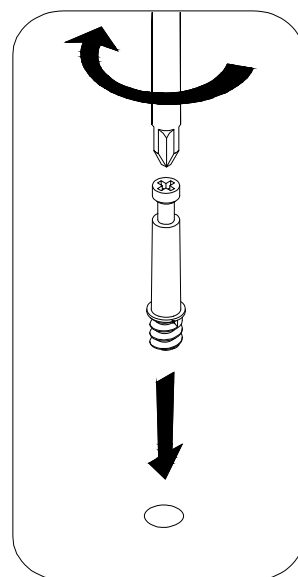
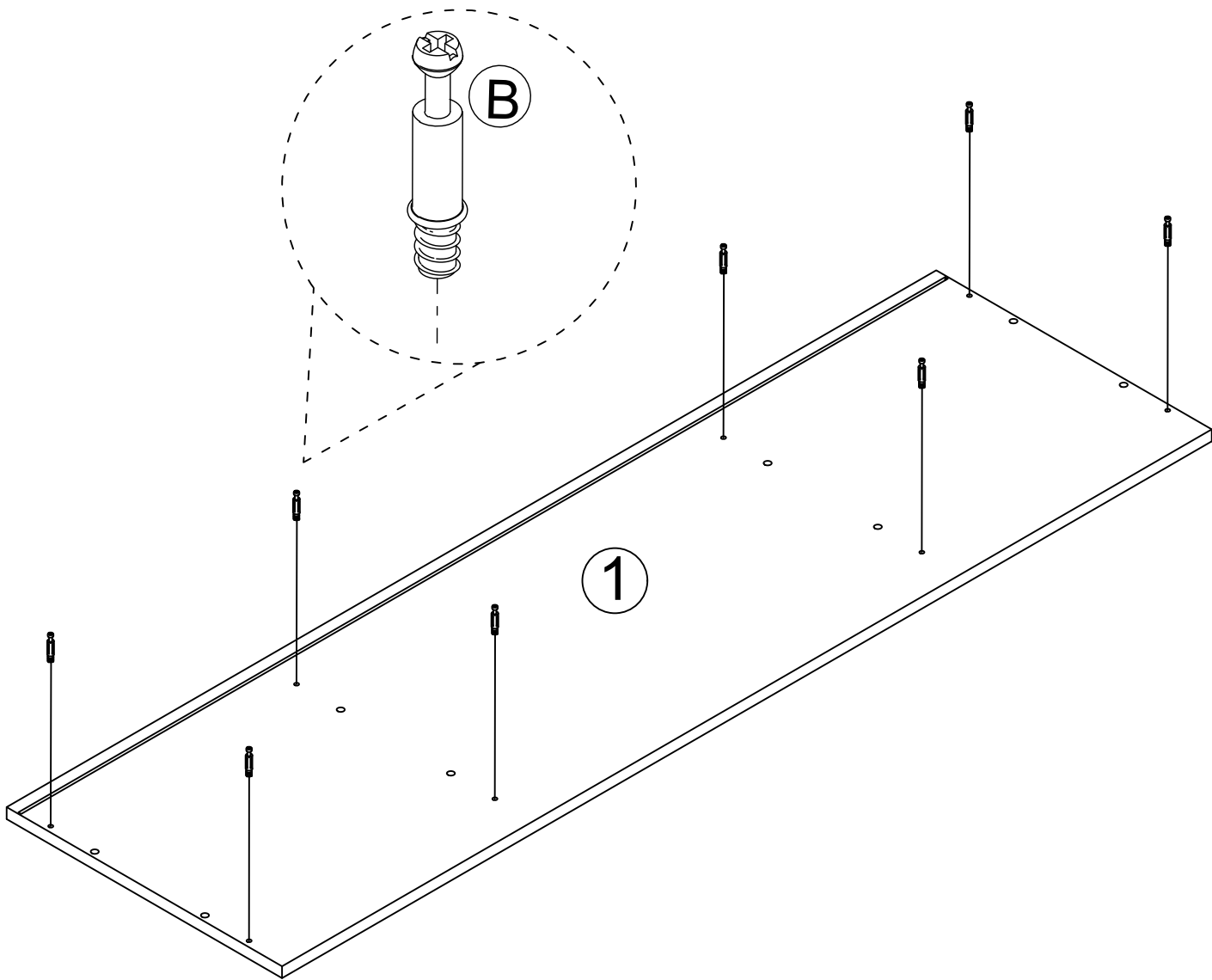
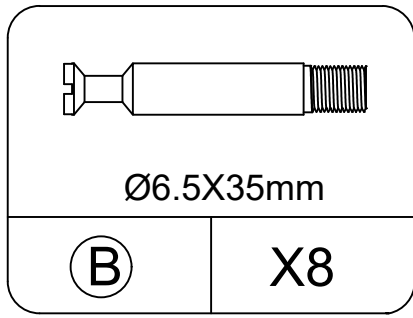
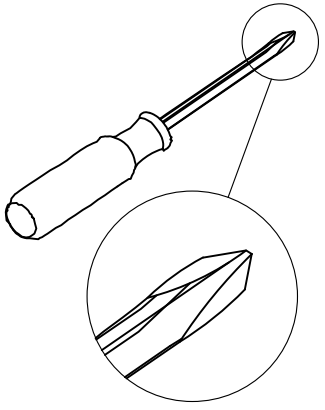


The groove is on the back.

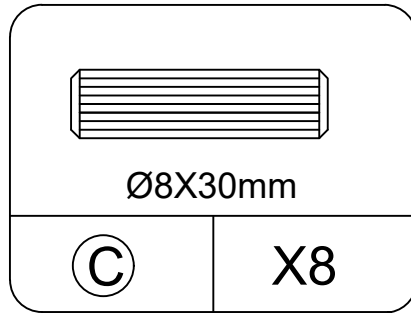
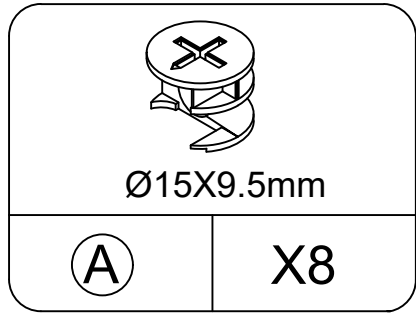
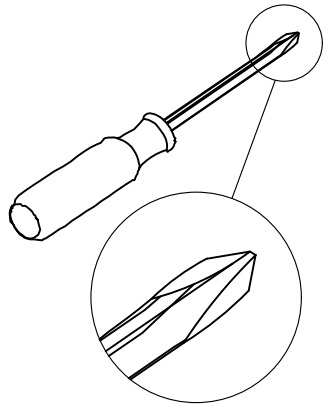
STEP 2



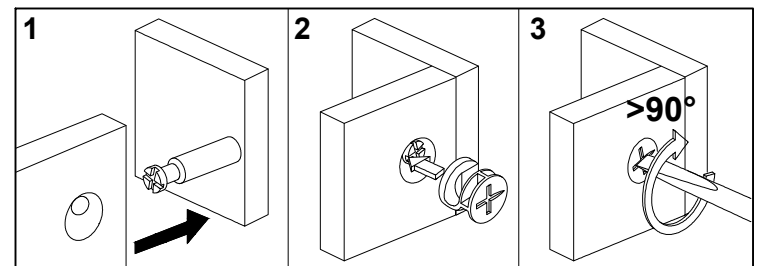
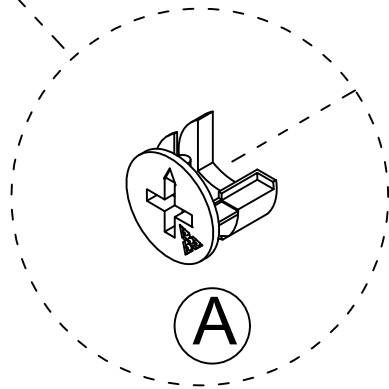
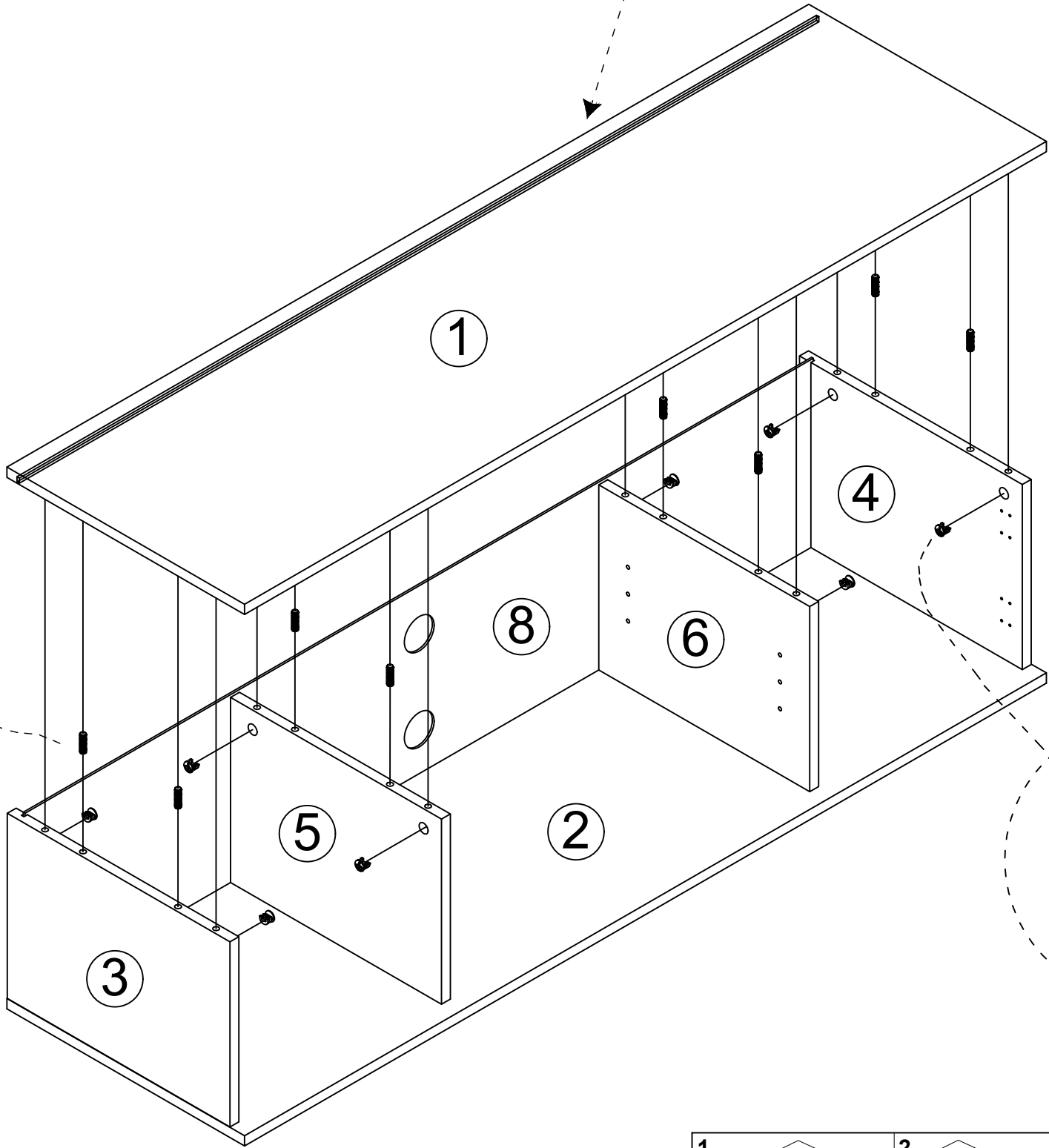
STEP 3



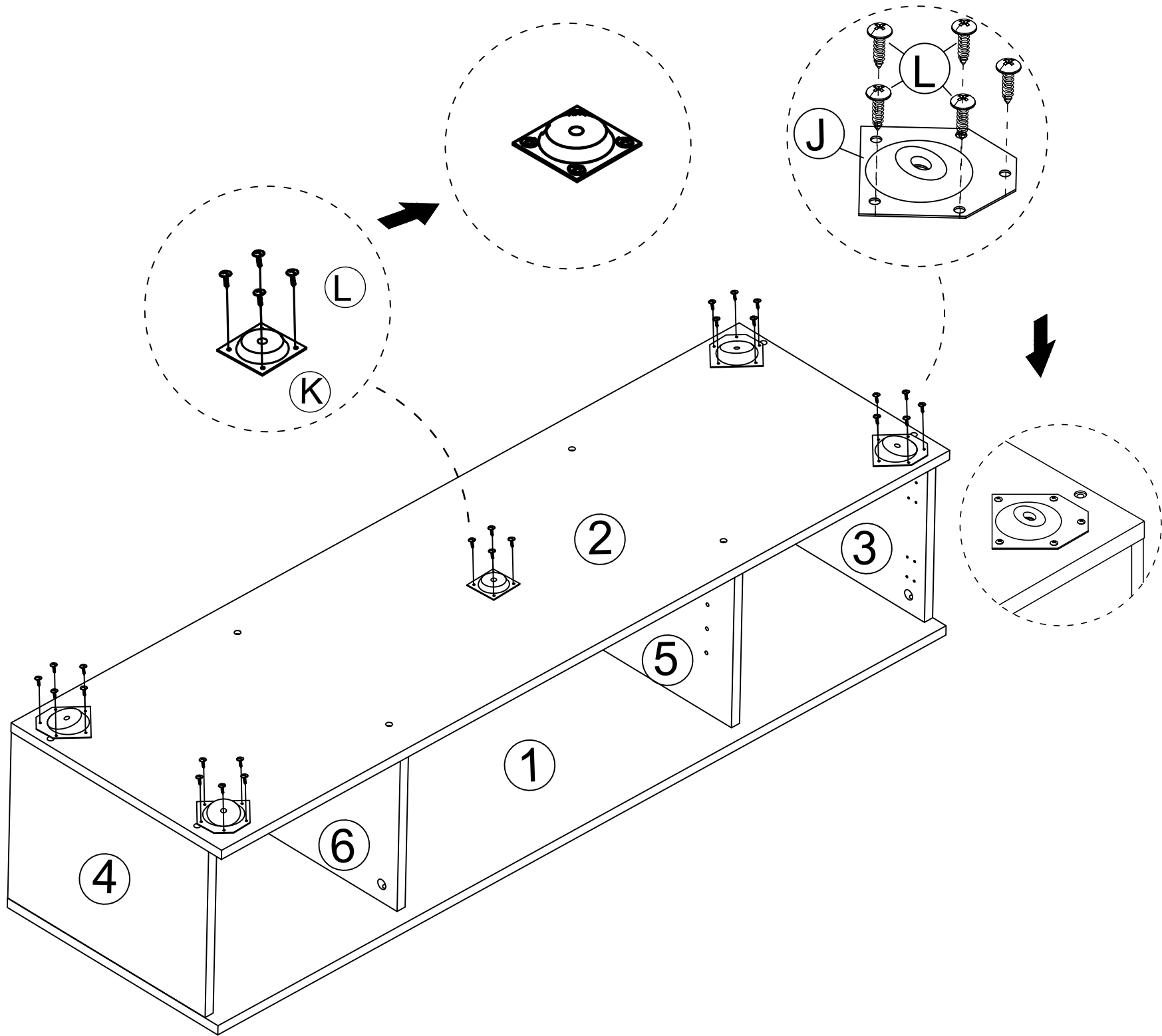
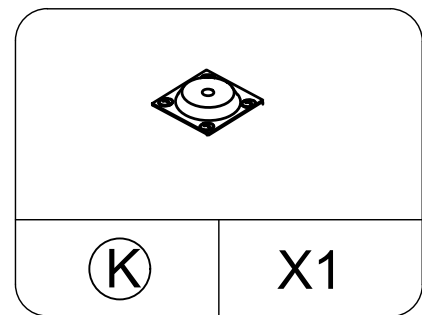
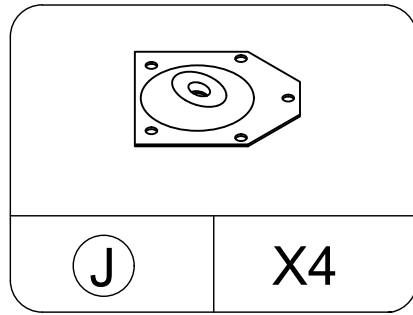
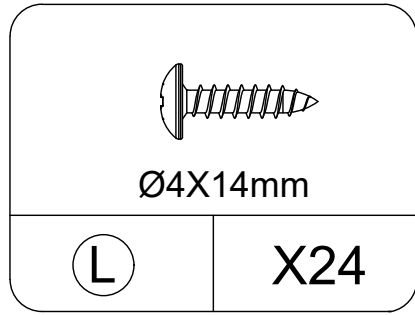
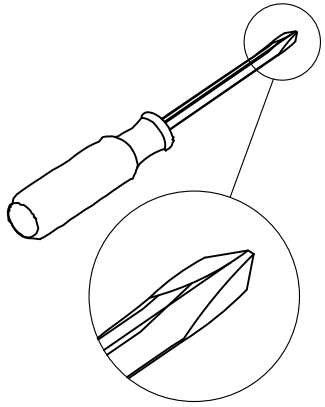
STEP 4



Install with groove facing down.

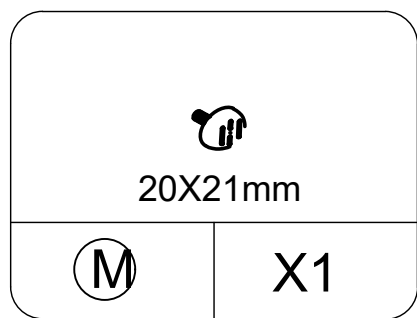


STEP 5

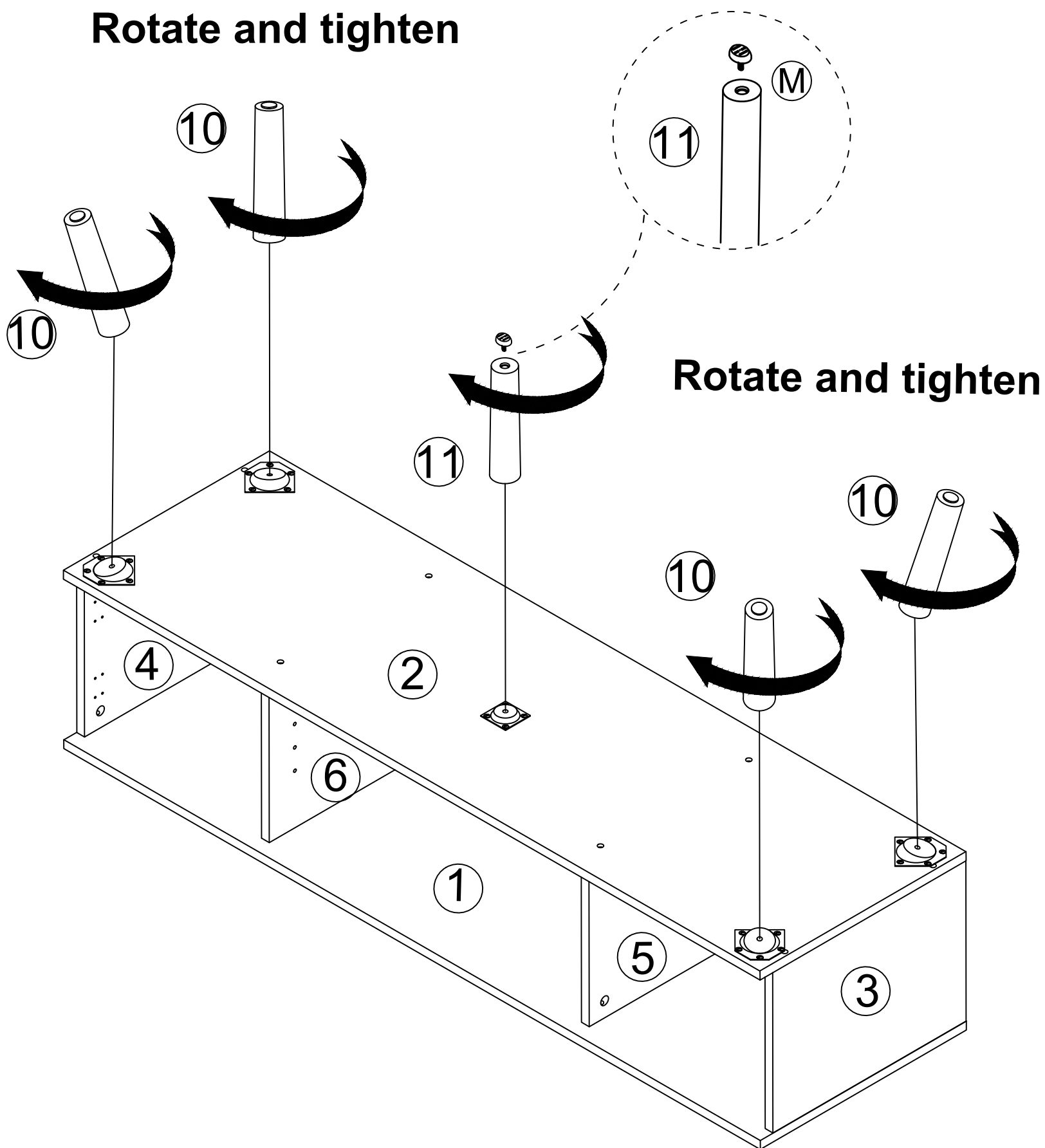


Pay attention to the iron sheet installation direction, as shown in the figure, otherwise it will affect the next step.

STEP 6

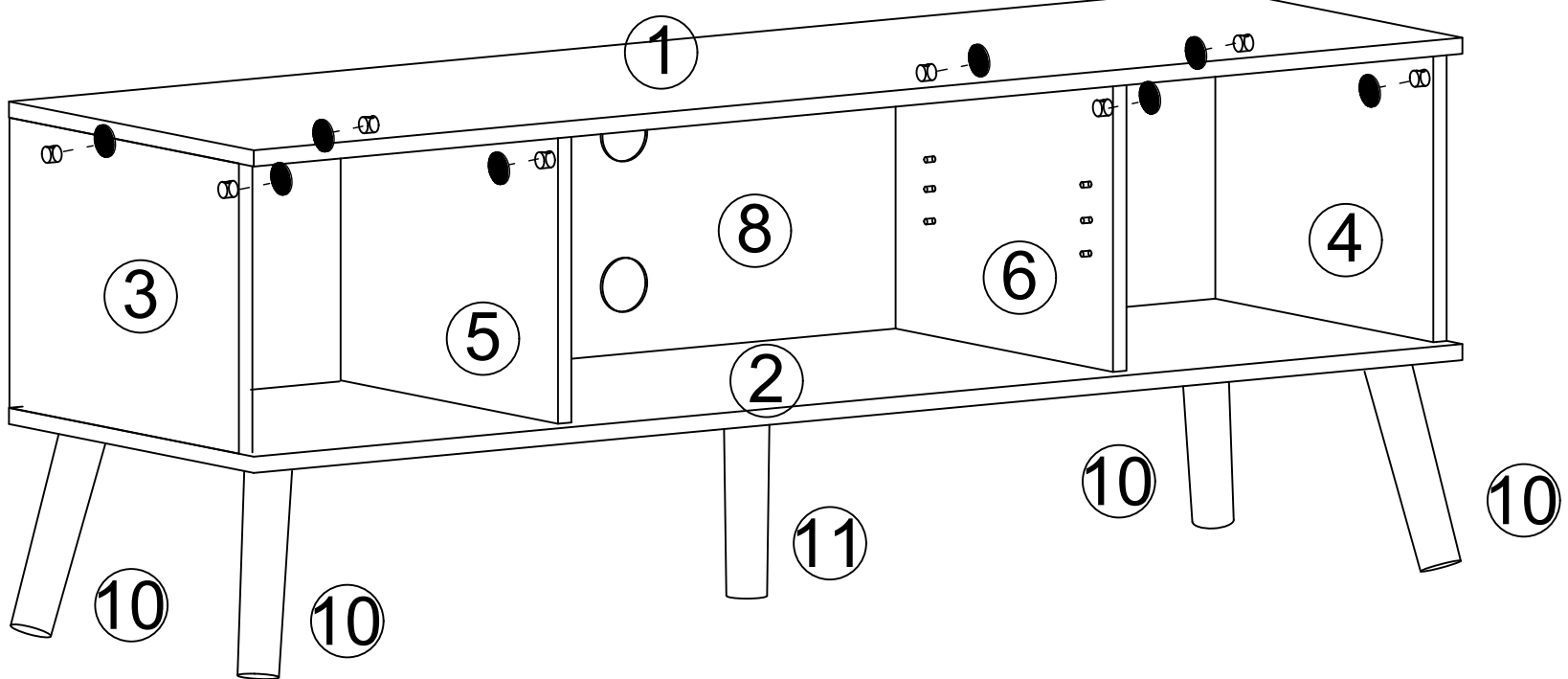
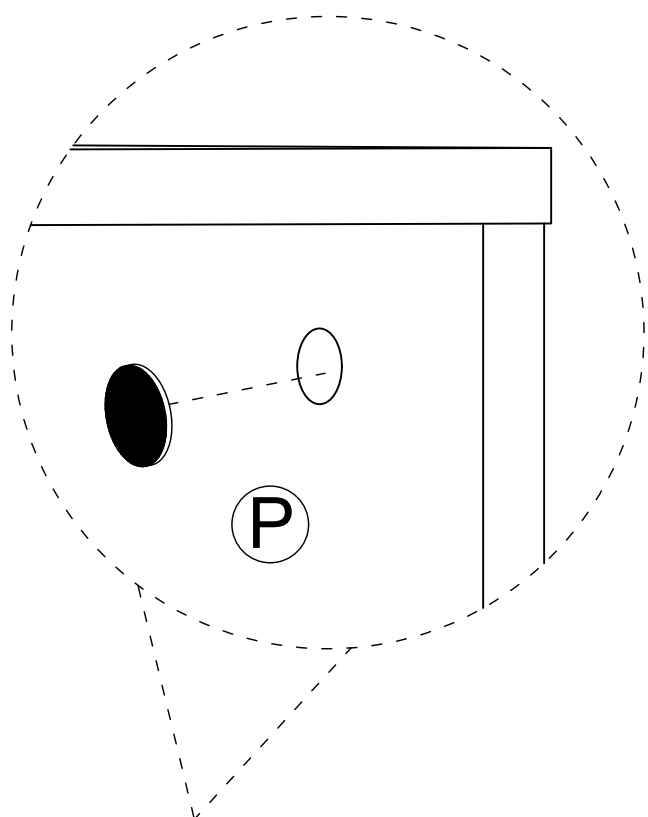
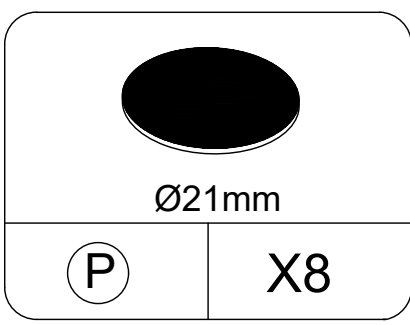


Rotate and tighten

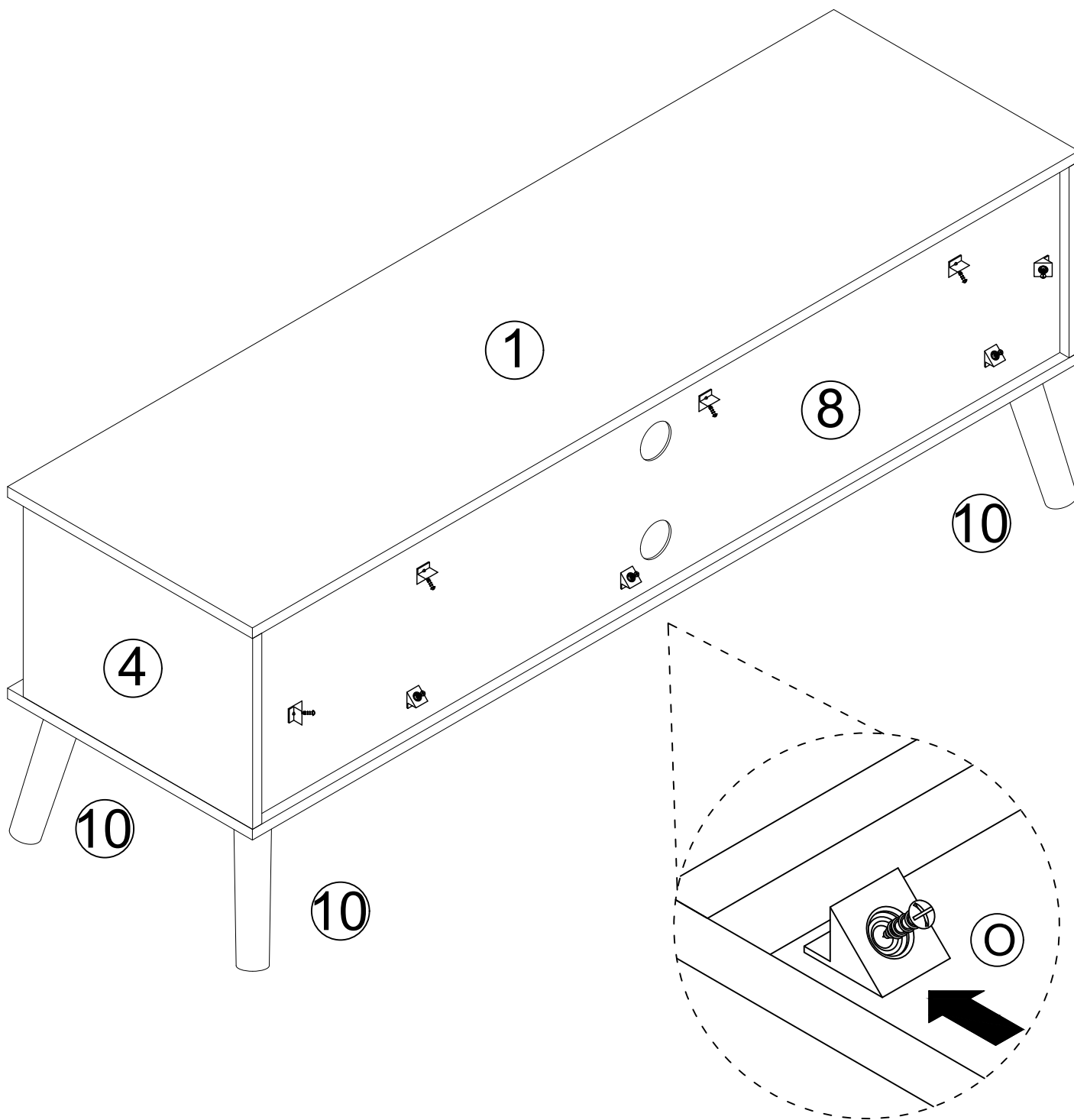
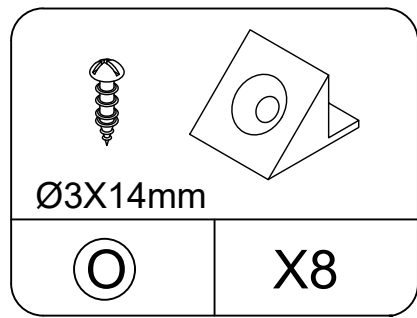
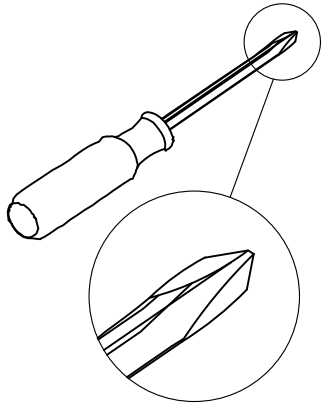


Attention: After installation, two people are required to lift and straighten the product. It is forbidden for one person to lift it from the side to avoid damaging component 10

STEP 7

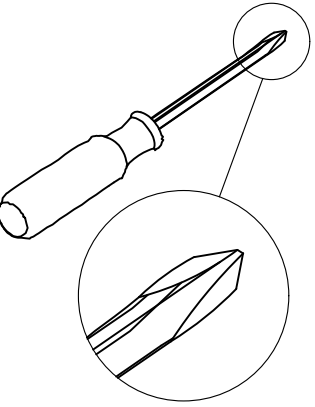


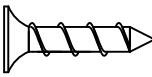
STEP 8





Insert the plastic buckle into the back plate slot, screw through the hole in the plastic buckle and lock it in place.


STEP 9

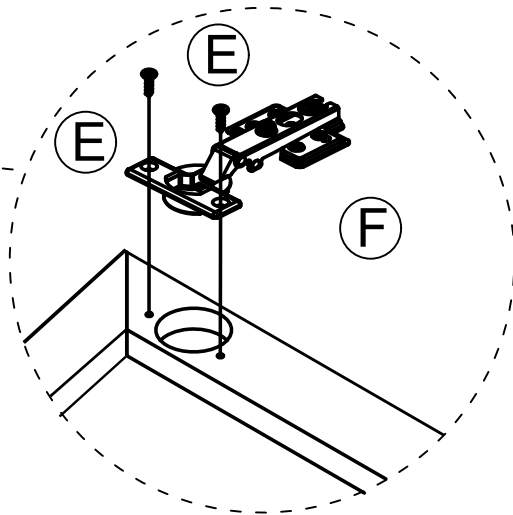
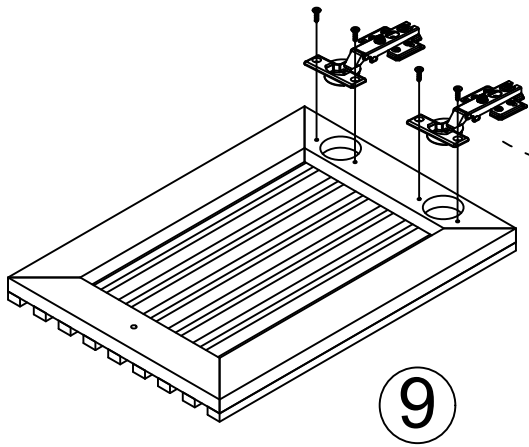


 Ø3.5X14mm	
(E)	X24

 Ø35	
(F)	X4

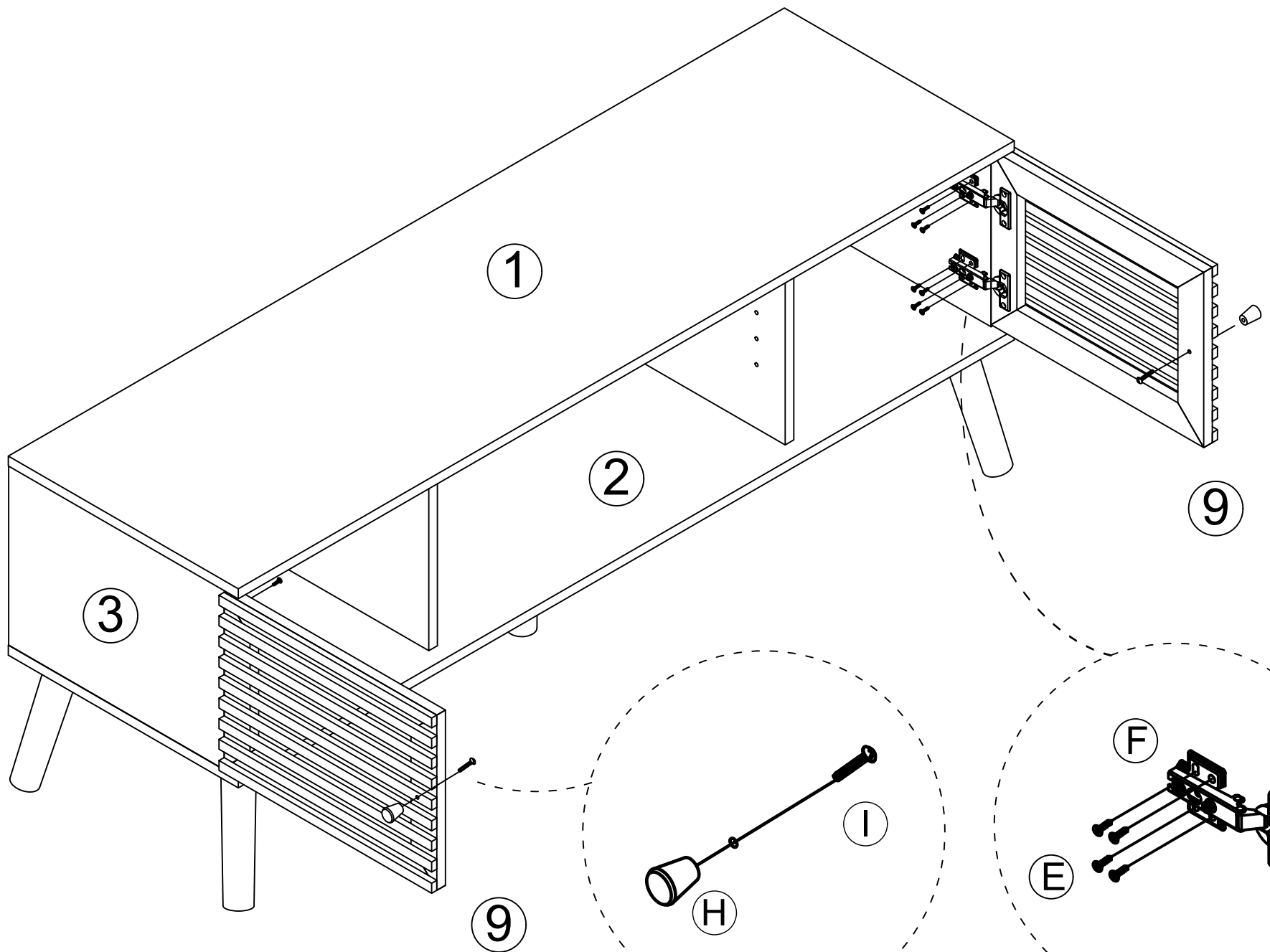
 Ø20 (Ø12) X23H	
(H)	X2

 Ø4X25mm	
(I)	X2



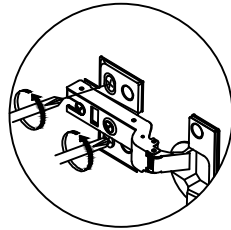
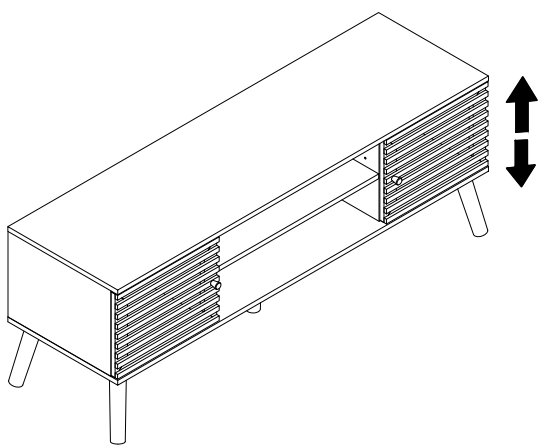
X2

Adjust the hinge by referring to the next page

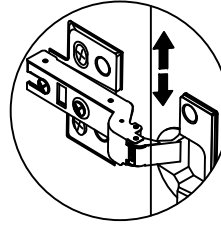


STEP 10

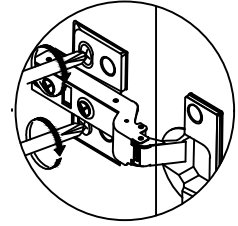
NOTE : If you notice that the cabinet doors are not properly aligned, such as significant gaps or vertical or horizontal misalignment, please adhere to the following adjustment instructions.



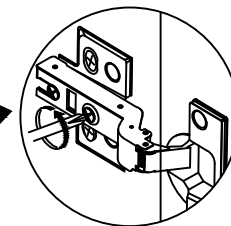
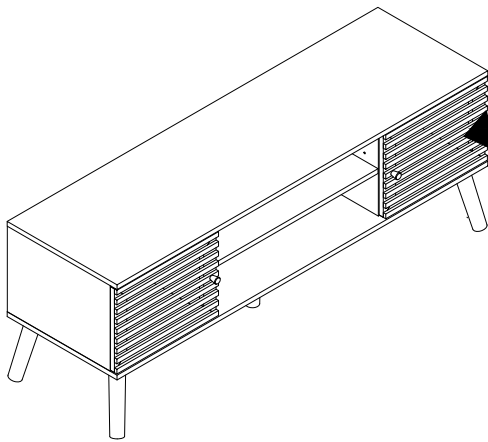
lose these
2 screws



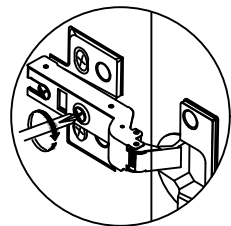
move hinge
up/down



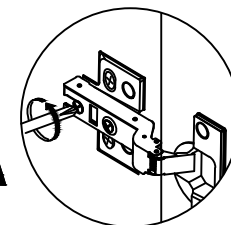
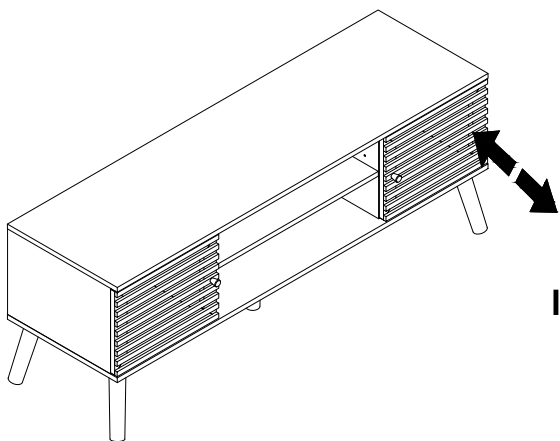
tighten these
2 screws again



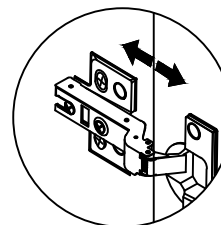
lose this screw would get
hinge/door closer to side board



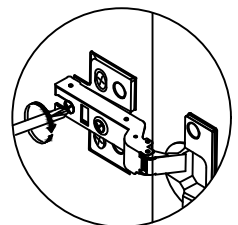
tighten this screw would get
hinge/door away from side board



lose this screw

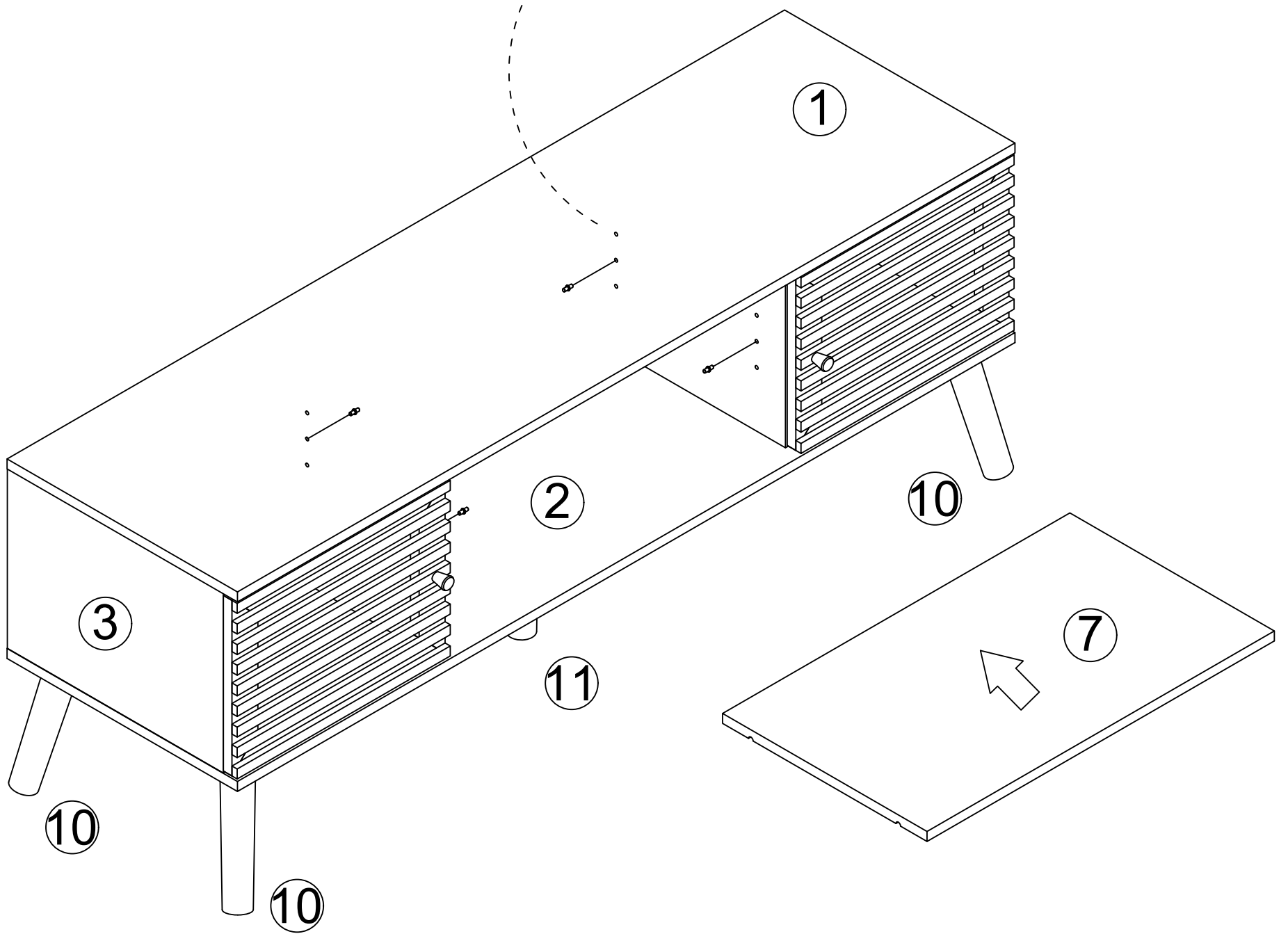
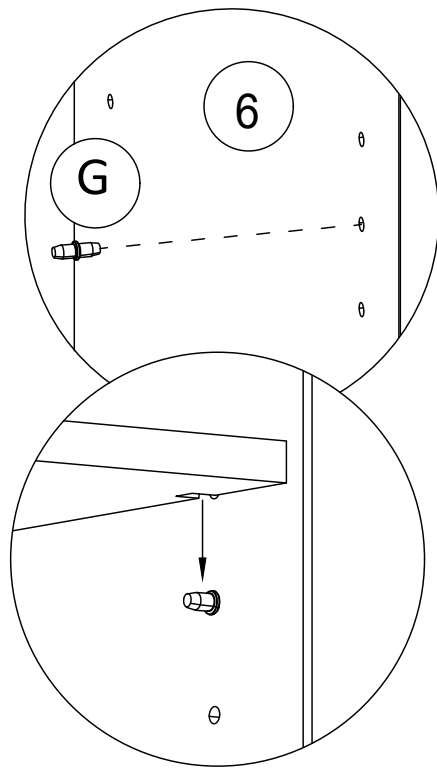
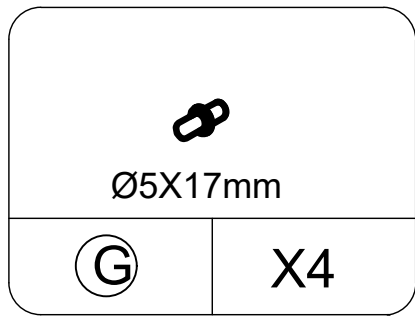


shift hinge
in/out



tighten this
screw again

STEP 11



You can adjust according to your needs

STEP 12

