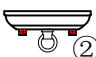
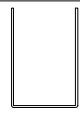
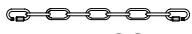


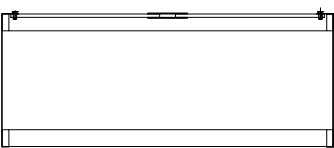


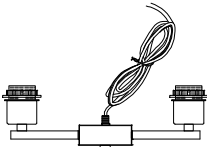


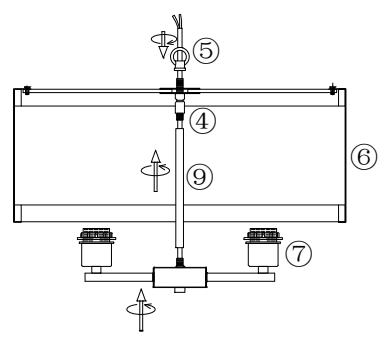
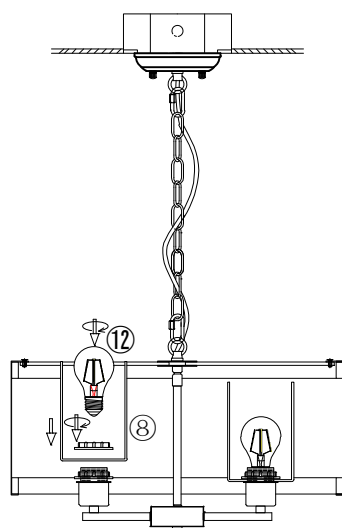
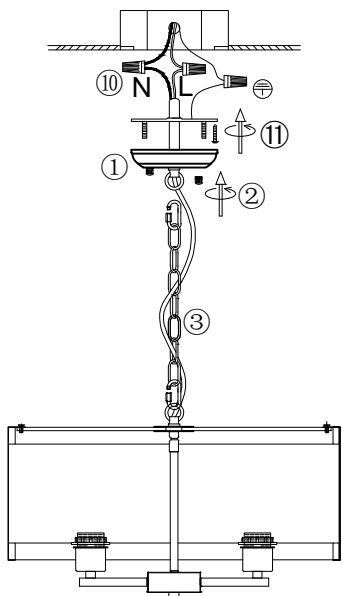


①	canopy 1PCS  ②cap nut 2PCS	⑧  glass lampshade 4PCS
③	 chain 1PCS	⑨  hanging tube 1PCS
④	⑤hanging ring 1PCS joint 1PCS	 X 1PCS
⑥	 metal frame 1PCS	 X 3PCS
		 X 3PCS
⑦	 light fixture 1PCS	 X 3PCS
		 X 3PCS



1. Install the joint④ to the middle hole of metal frame⑥, fix the joint④ with ring⑤.
2. Let the wire of the fixture go through the hanging tube⑨, rotate to install the tube⑨ to the fixture.
3. Let the wire go through the joint④, rotate to install the both parts together.



4. Hang the fixture to the canopy① with chain③, let the wire go through the chain③ and canopy①.
5. Install the bracket to the ceiling junction box with screws⑪.
6. Connect the wire to the home line with cap connector⑩.
7. Install the fixture to the bracket with cap nuts②.

8. Rotate to remove out the socket ring from the bulb holder, install the lampshade⑧ to the bulb holder with socket ring.
9. Install the bulb⑫.

ZJD00202-4

Please read carefully before installation!!!

Note : Please make sure that the electricity is powered off during installation !

Only a professional electrician should install this kind of product !