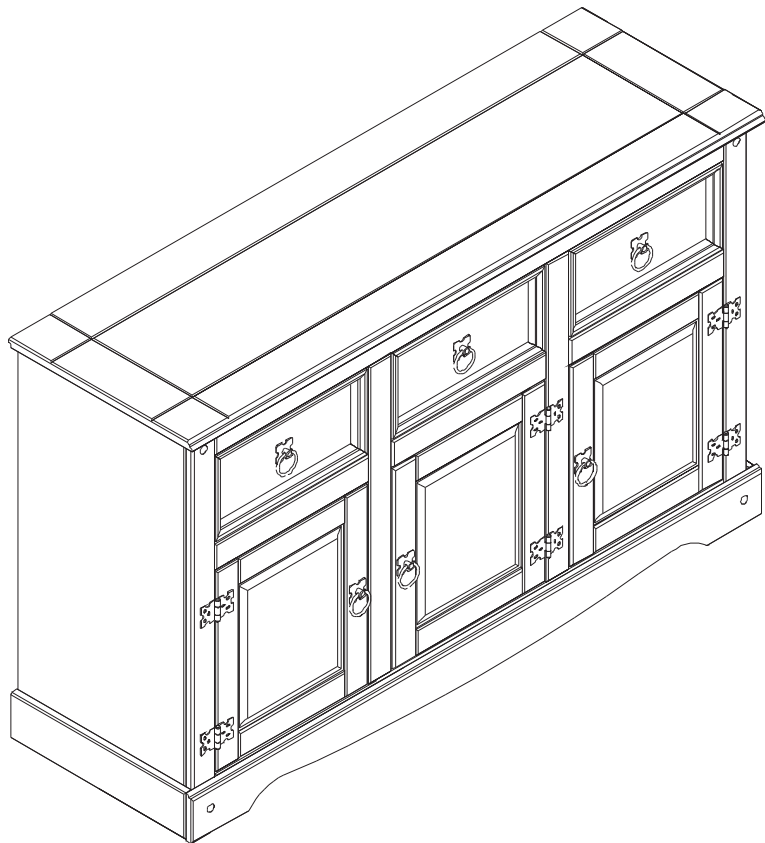


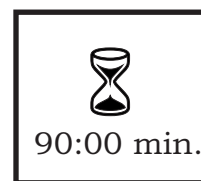
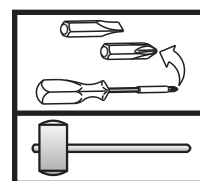
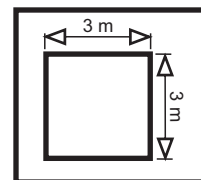
3 DOOR 3 DRAWER SIDEBOARD



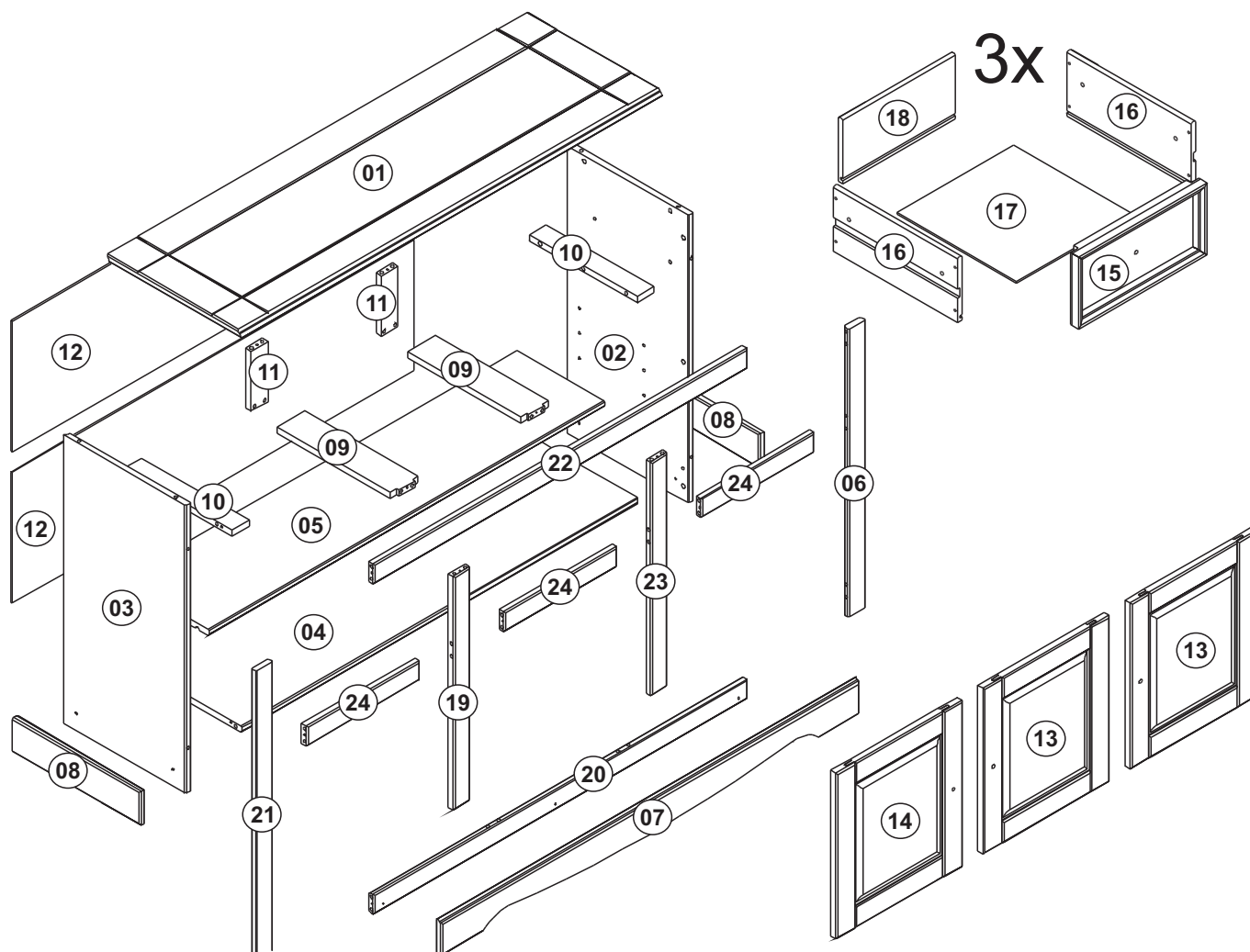
Width = 125,1cm






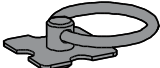

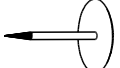

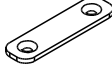
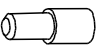



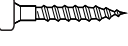



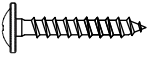
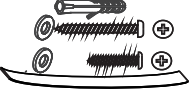
Depth = 40cm

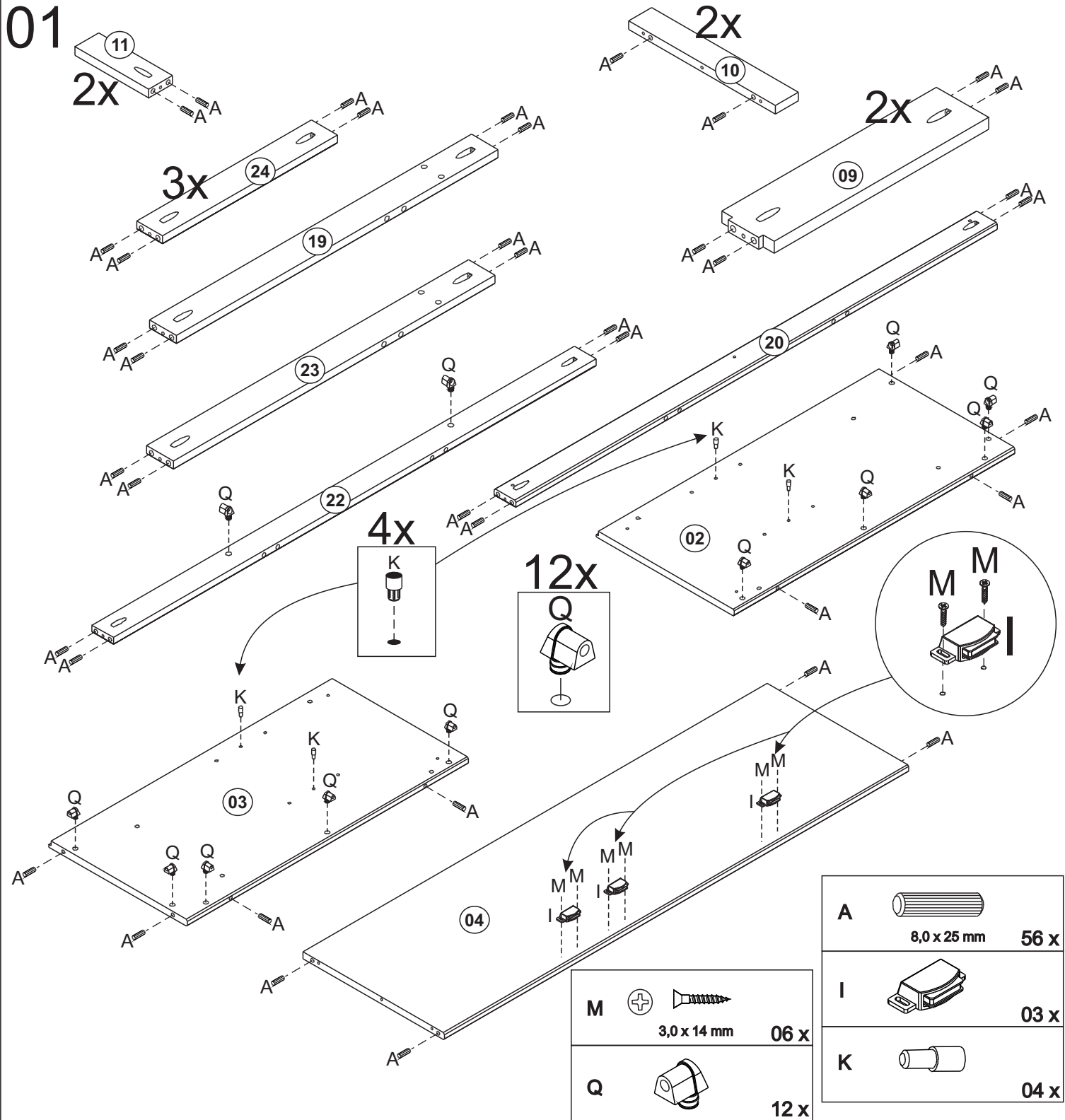
Height = 75,9cm



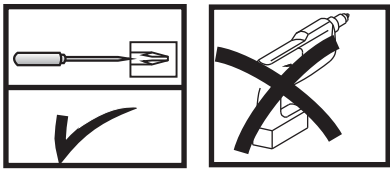
- Please check that all fittings are correct before assembling the item.
- Replacement parts can be supplied for any damages to the item.
- Please keep all packaging until the item is assembled as we will require information from this if replacement parts are required.



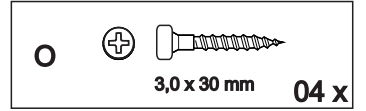
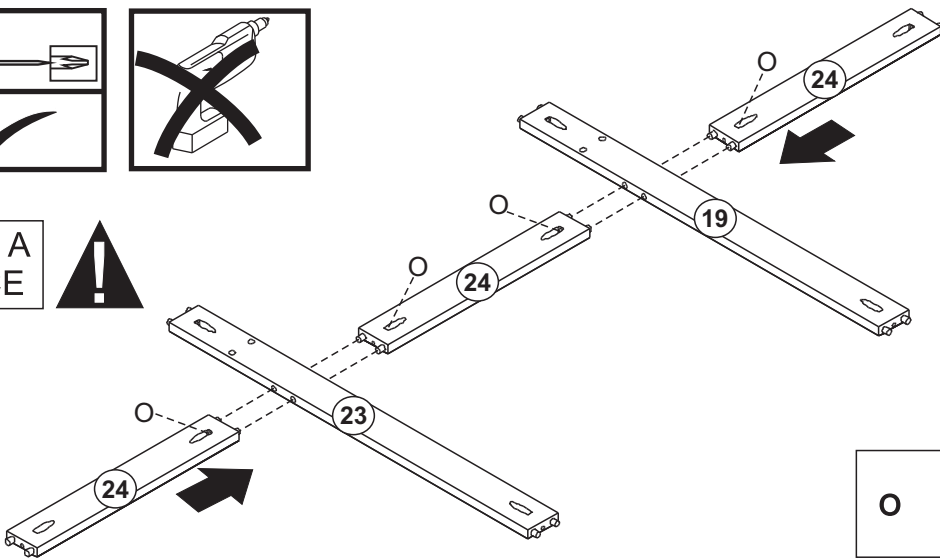
A		8,0 x 25 mm	56 x
B		3,5 x 30 mm	18 x
C		4,0 x 25 mm	12 x
D		8,0 x 40 mm	06 x
E		8 x 8	31 x
F			06 x
G			06 x
H			04 x
I			03 x
J			03 x
K			04 x
L			06 x
M		3,0 x 14 mm	16 x
N		3,5 x 14 mm	36 x
O		3,0 x 30 mm	38 x
P			01 x
Q			12 x
R			02 x
S		4,0 x 30 mm	07 x
Y			01 x



02

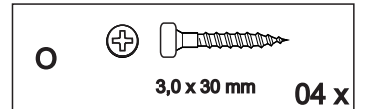
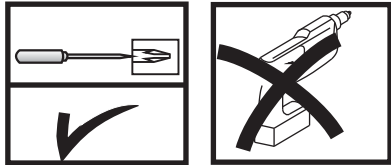
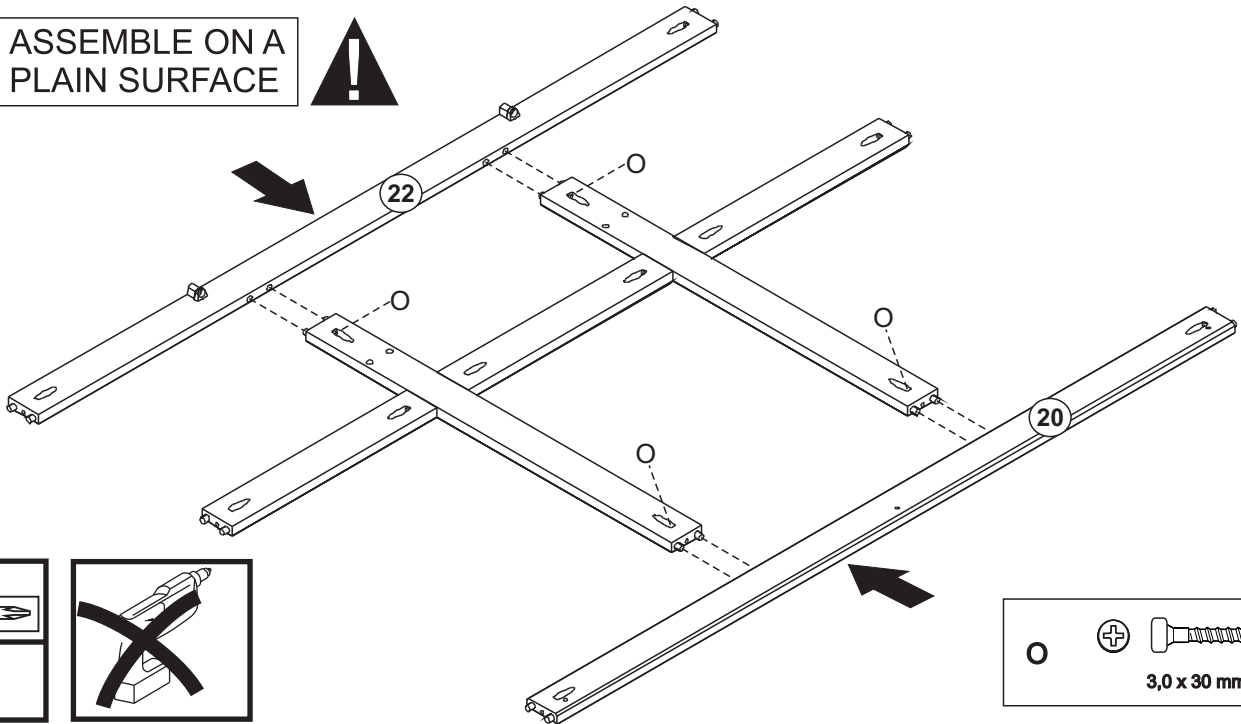


ASSEMBLE ON A PLAIN SURFACE



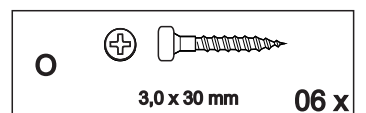
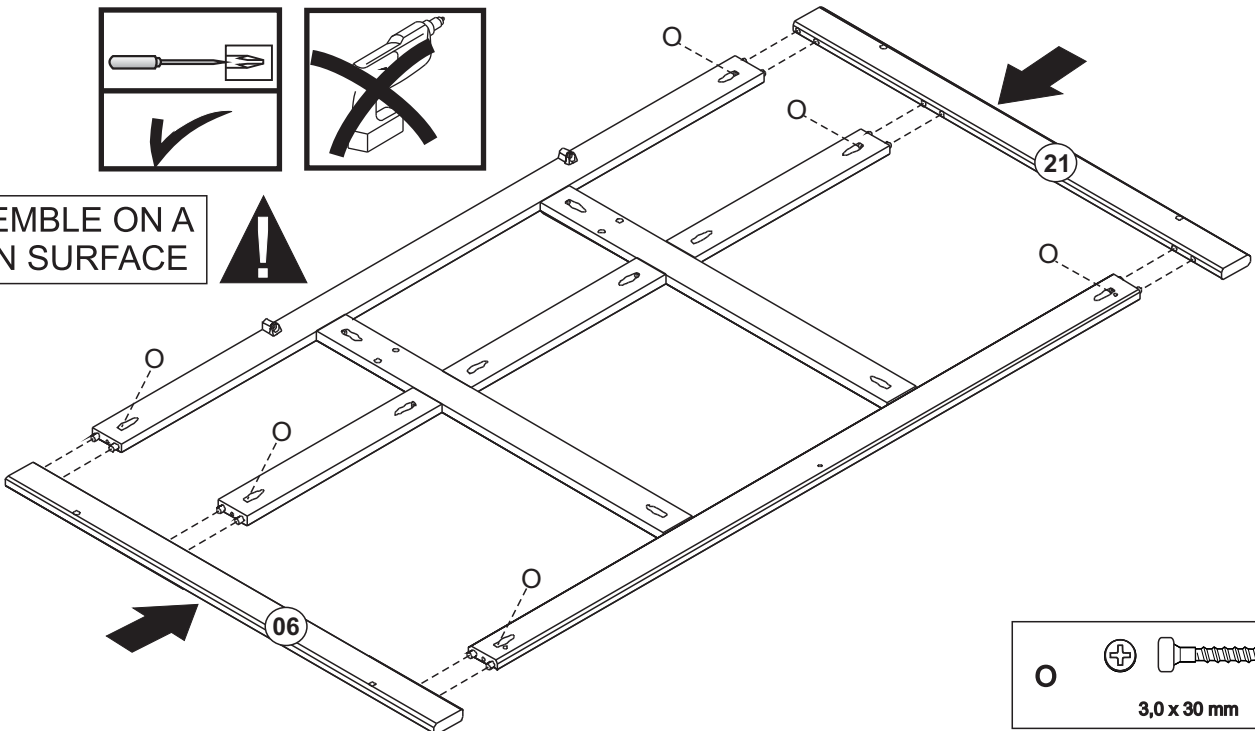
03

ASSEMBLE ON A PLAIN SURFACE

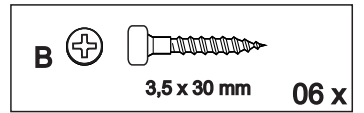
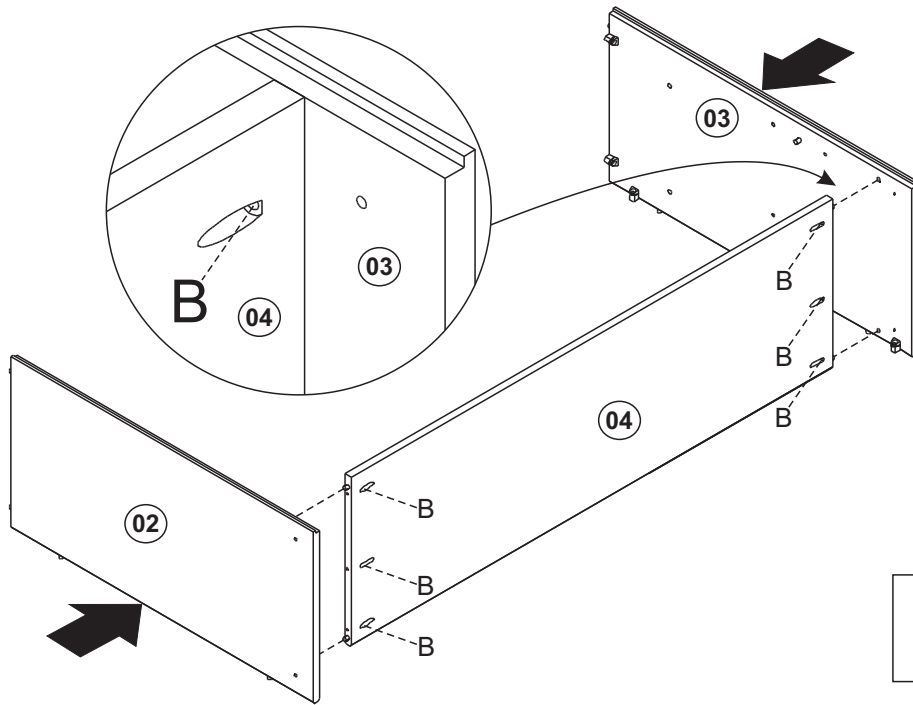


04

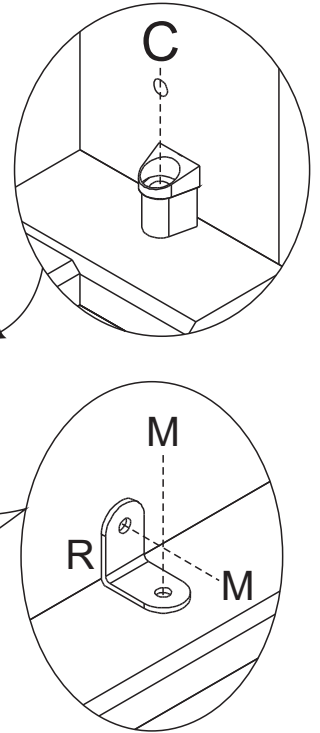
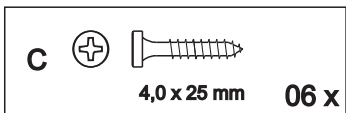
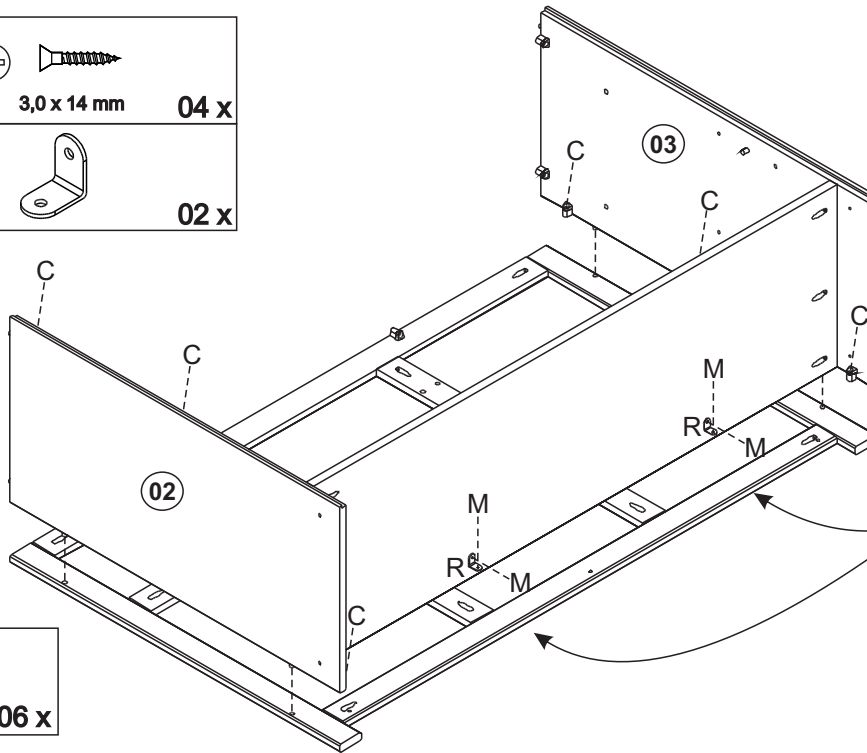
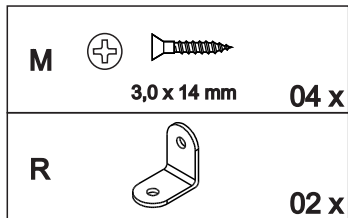
ASSEMBLE ON A PLAIN SURFACE



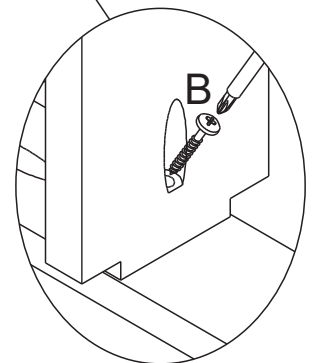
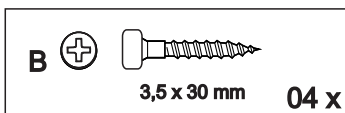
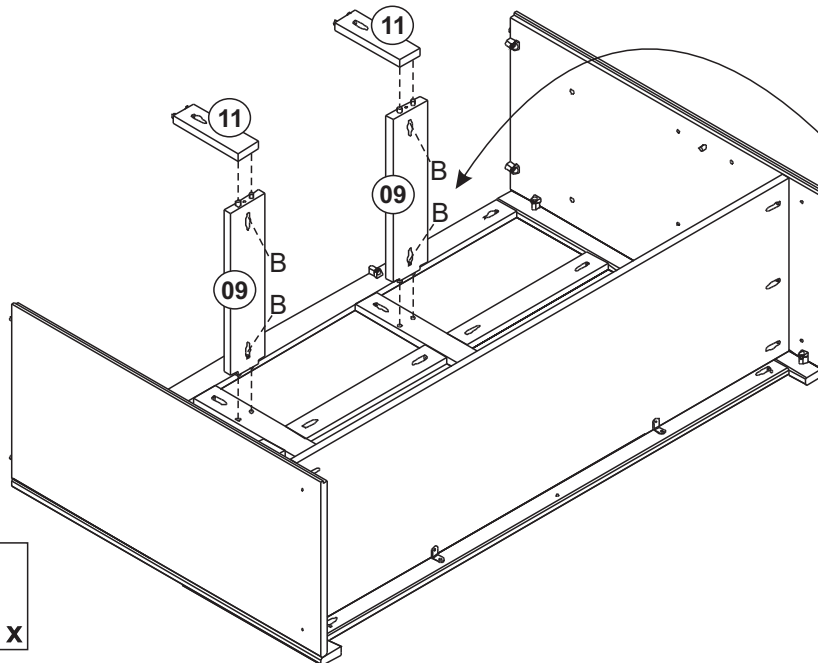
05



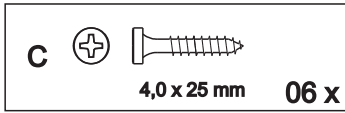
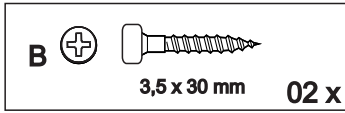
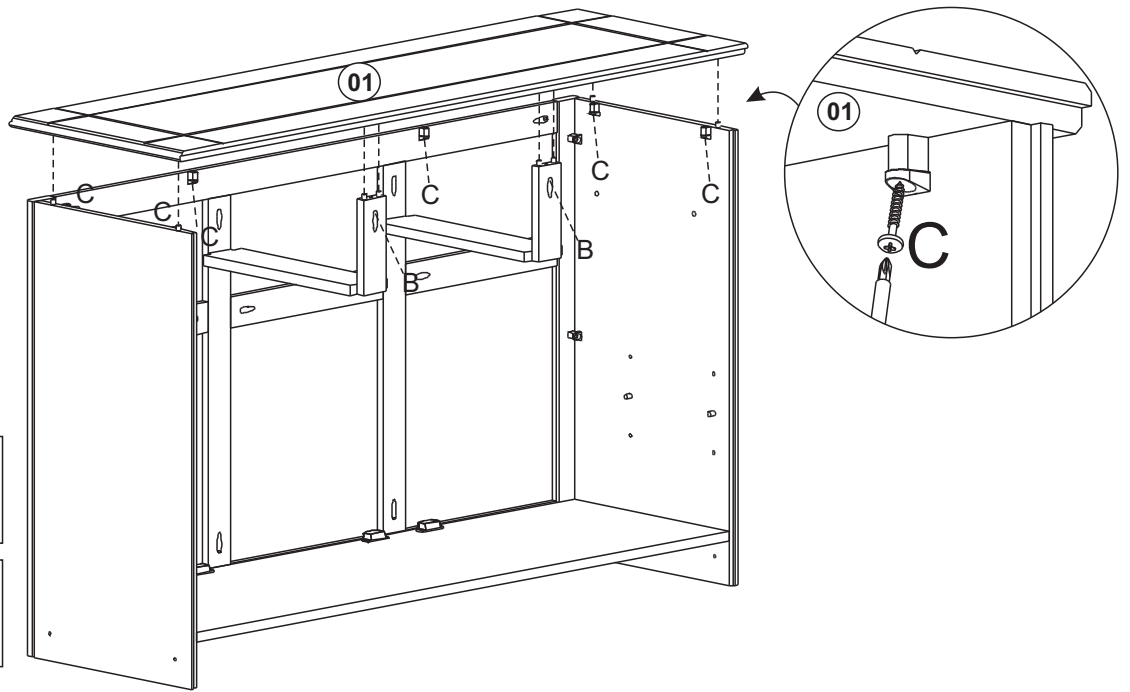
06



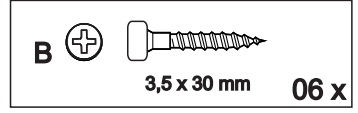
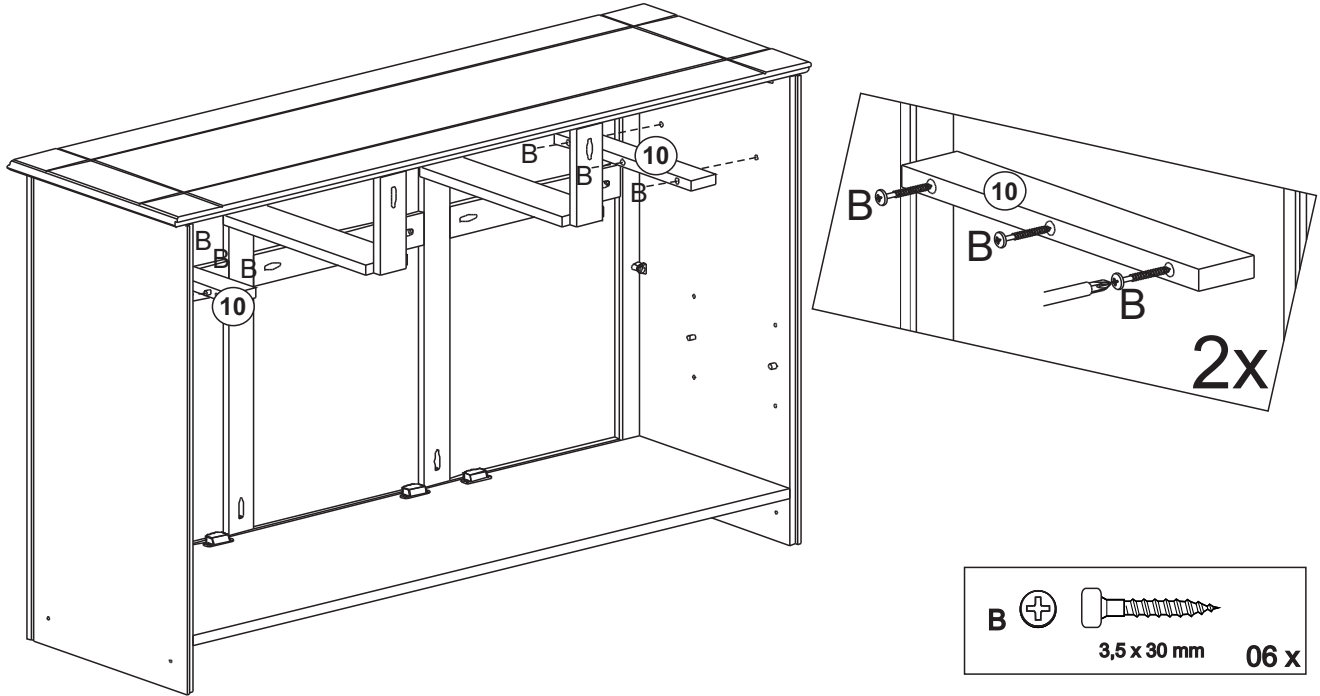
07



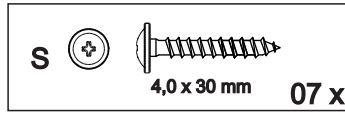
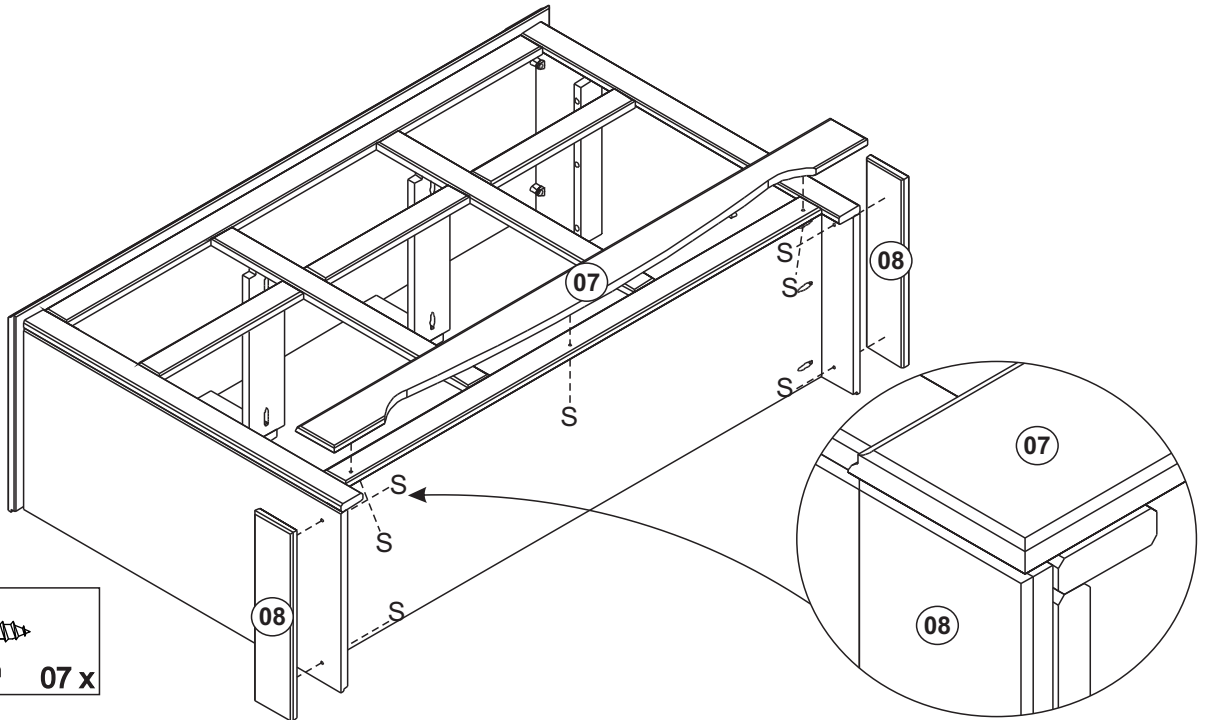
08



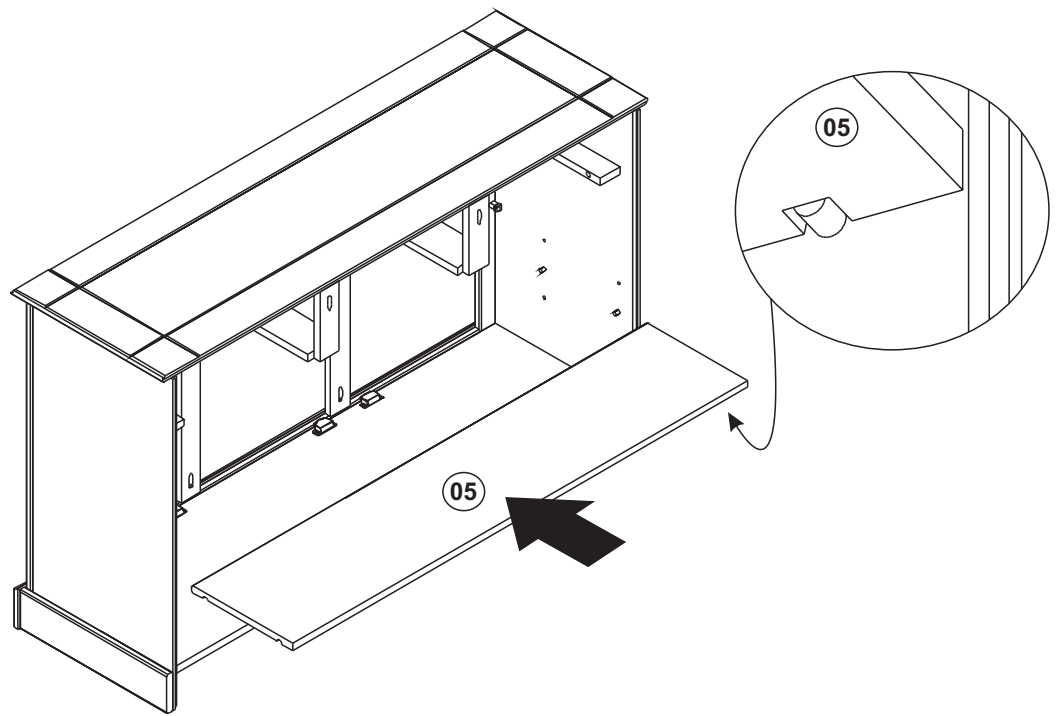
09



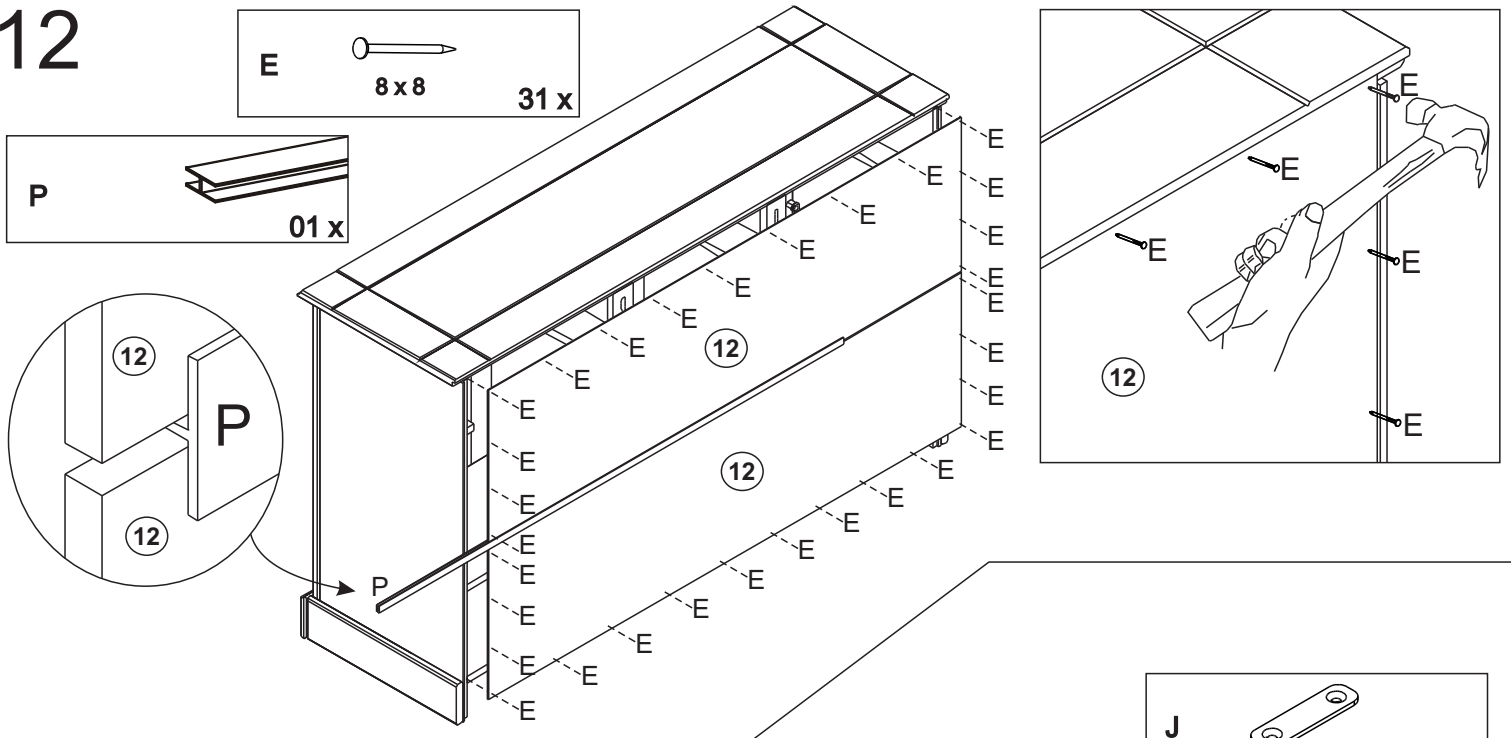
10



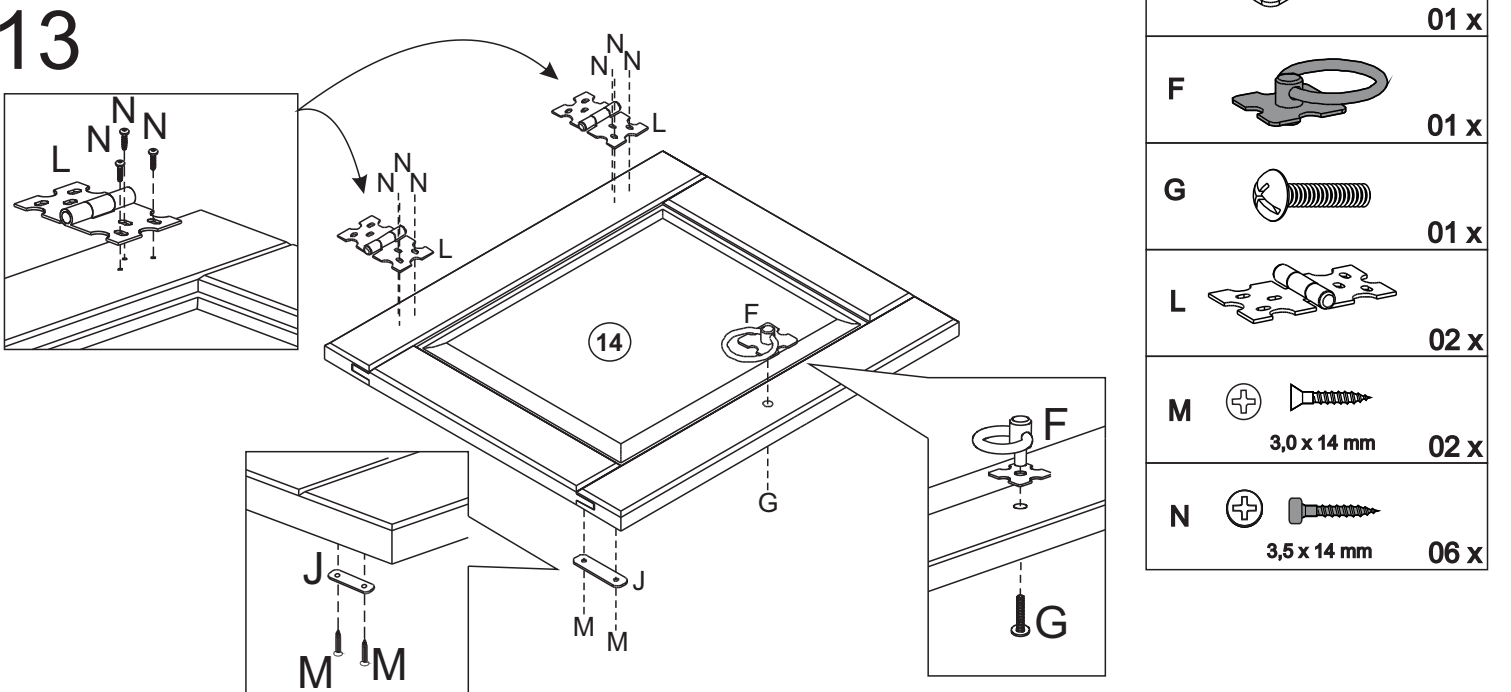
11



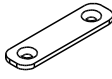
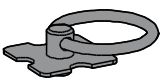
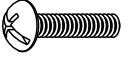



12

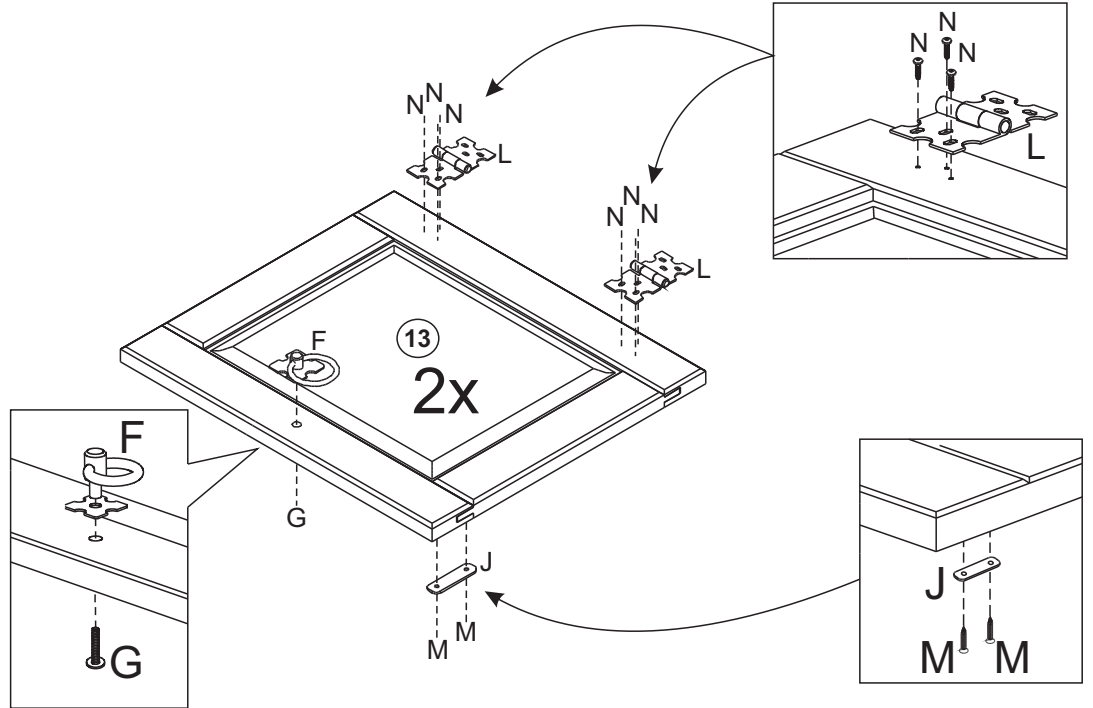


13

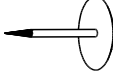



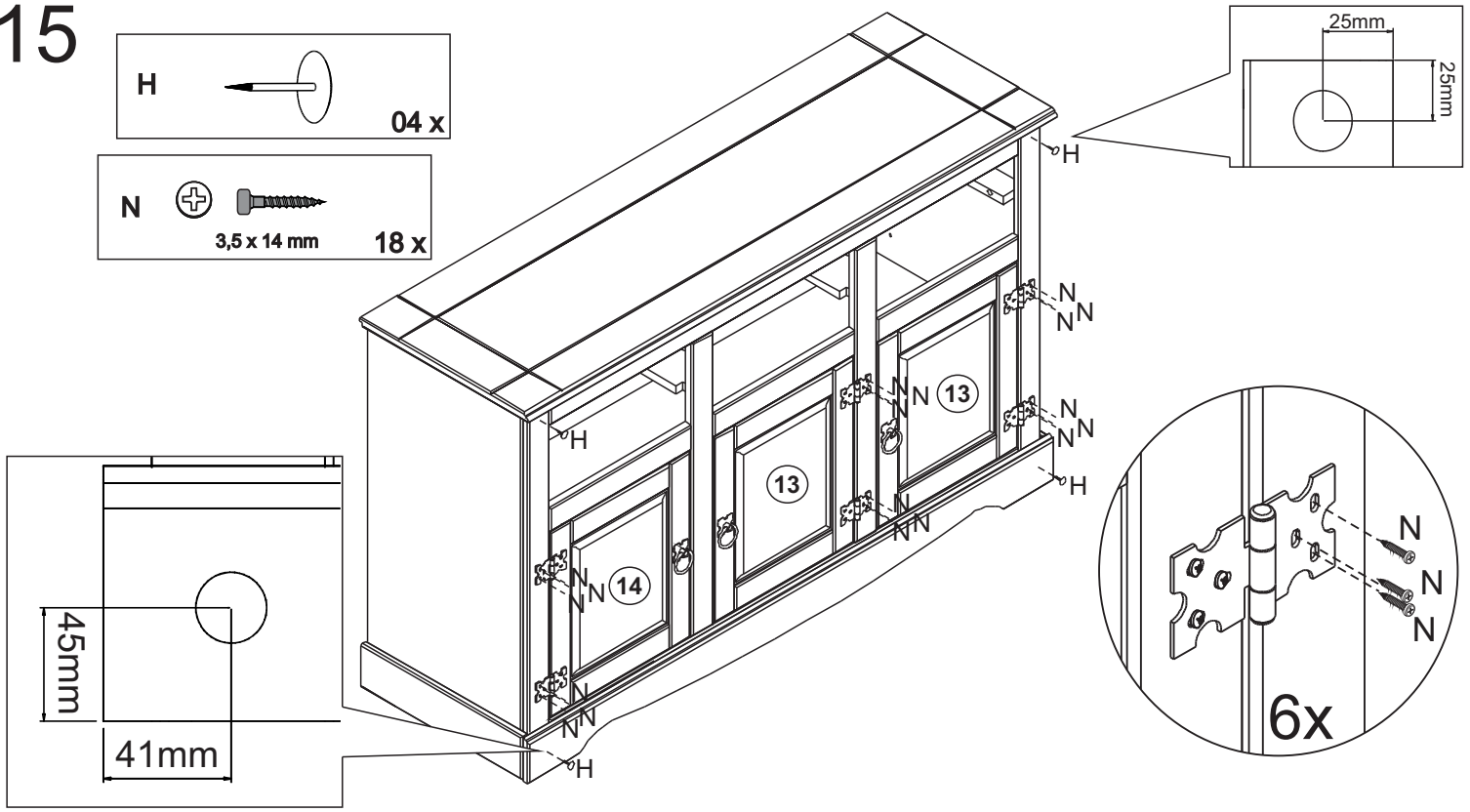
14

J		02 x
F		02 x
G		02 x
L		04 x
M	 3,0 x 14 mm	04 x
N	 3,5 x 14 mm	12 x

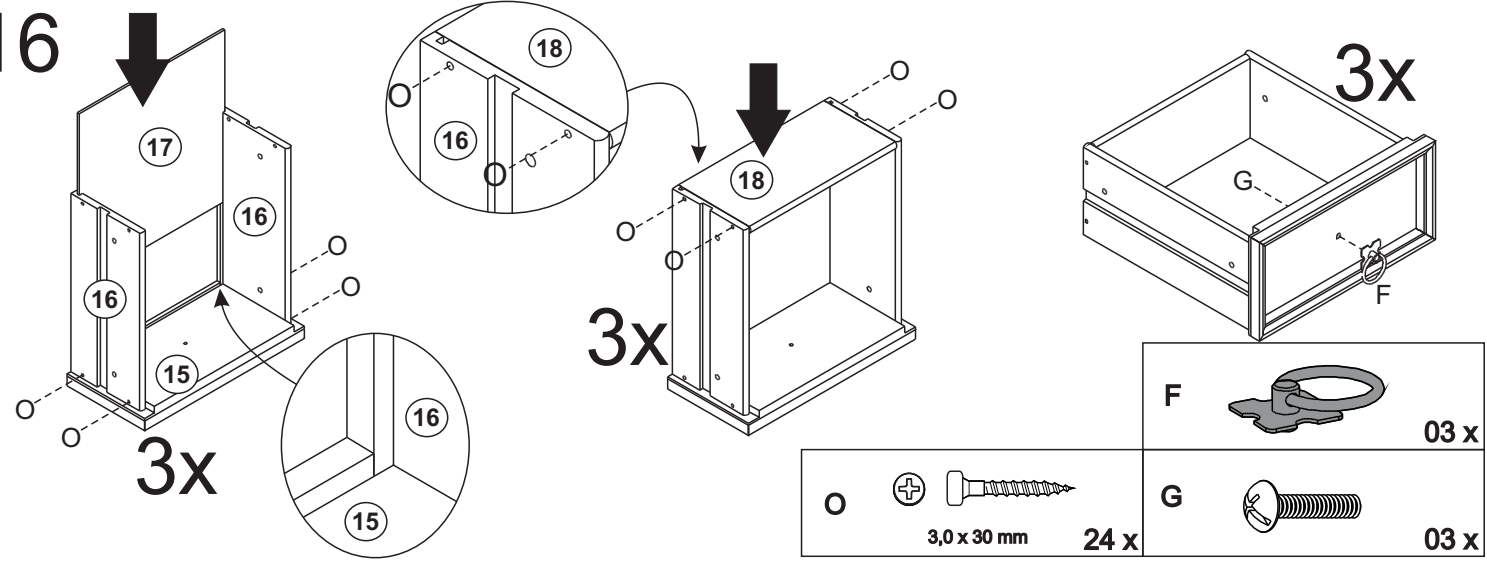



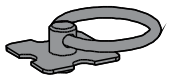

15

H		04 x
N	 3,5 x 14 mm	18 x

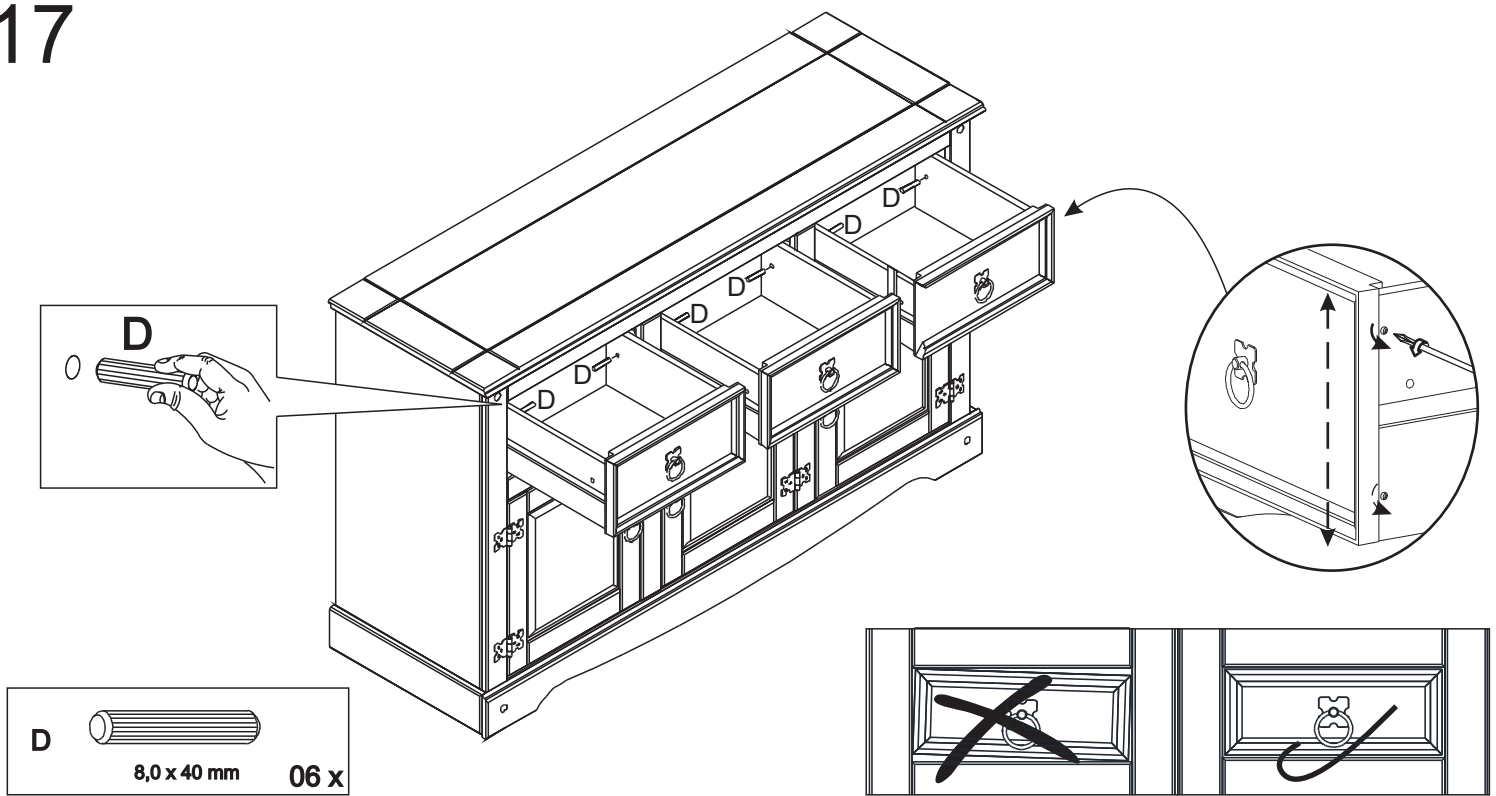


16

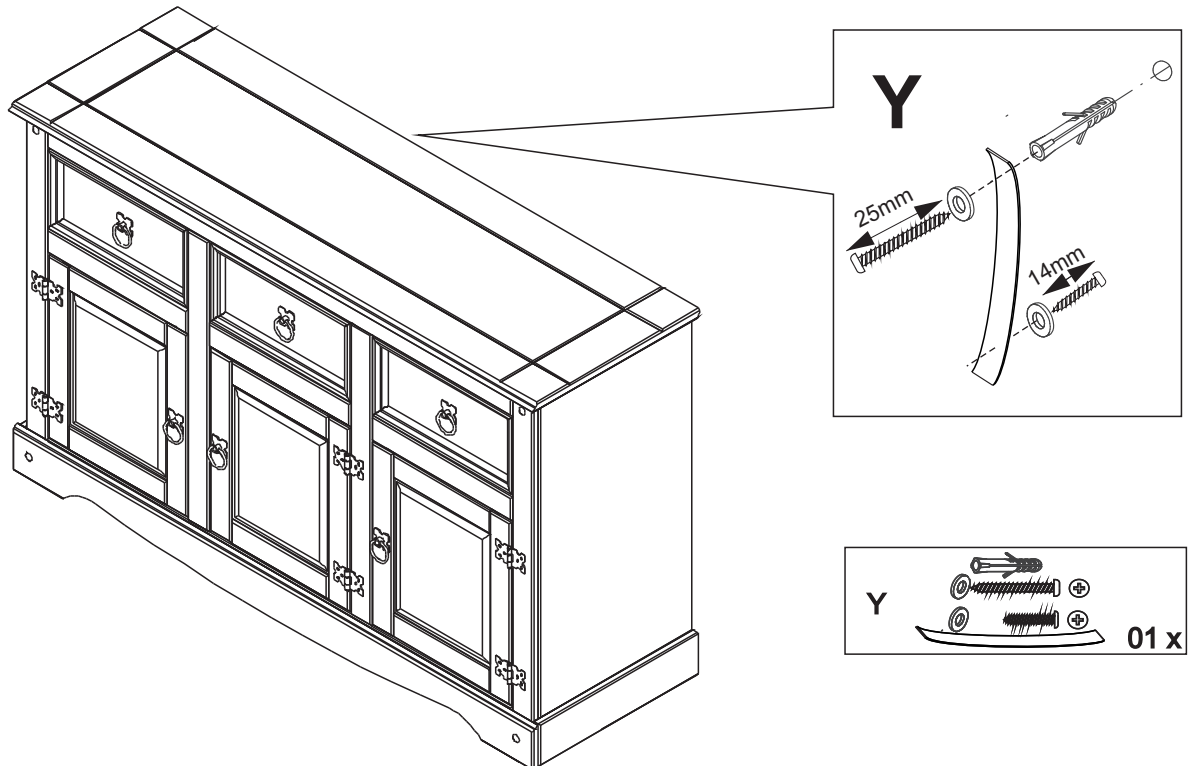


O	 3,0 x 30 mm	24 x
F		03 x
G		03 x

17



18



WARNING: CHECK FOR HIDDEN PIPES AND CABLES BEFORE DRILLING.

IMPORTANT: IF YOUR WALLS ARE NOT SOLID LIKE BRICK OR STONE, IT WILL REQUIRE SPECIAL FITTINGS (NOT SUPPLIED).

- Place the fixing strip against the wall and mark the position for drilling hole.
- Drill a hole in the wall to a depth of 30mm by using a 6mm drill bit. If the surface of your wall is soft and crumbly, we would advise you to use a 5mm drill bit for a tighter fit.
- Insert the wall plug into the hole with end flush to the wall surface.
- Attach fixing strip to the wall using the 25mm screw + washer and securely tighten.
- Pre-drill small pilot hole on the back edge of the furniture top using a 2mm drill bit. Attach the other end fixing strip to the back edge of the furniture top using the 14mm screw + washer and securely tighten.