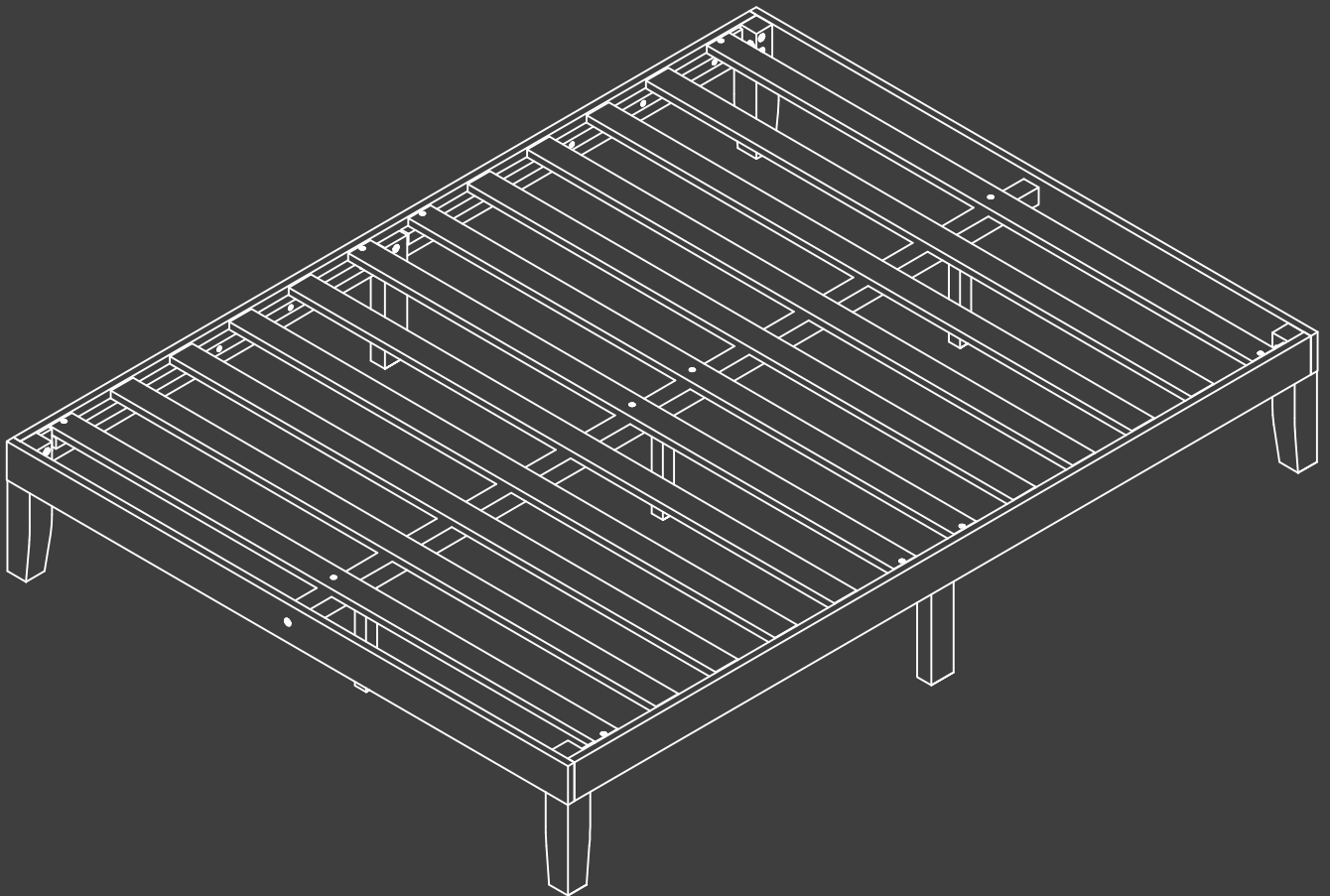
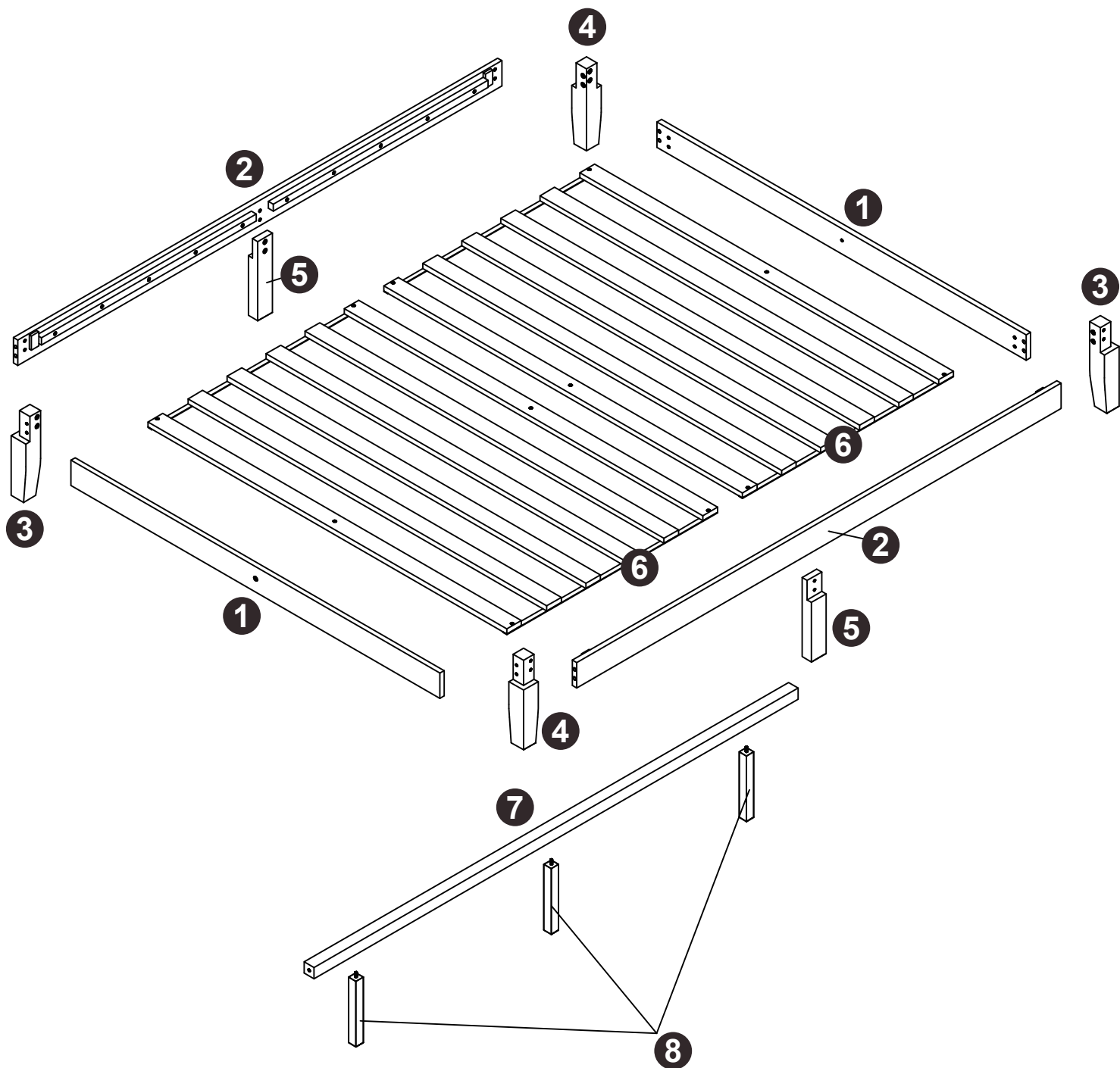


Bed Frame

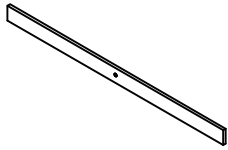
Instruction Manual





1 Parts List

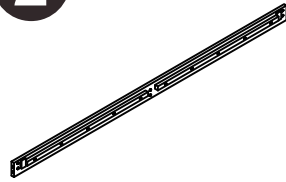
1



x2

Rear Panel

2



x2

Side Panel

3



x2

Bed Feet

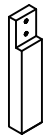
4



x2

Bed Feet

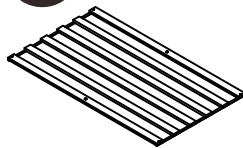
5



x2

Mid-side Feet

6



x2

Bed Slats

7



x1

Mid Bar

8



x3

Mid Feet

2 Hardware

A



x12

Phillips screw
Ø8*4*30mm

B



x2

Hex-Head screw
Ø13*1/4"*40mm

C



x4

Hex-Head bolts
Ø13*1/4"*32mm

D



x16

Hex-Head bolts
Ø13*1/4"*53mm

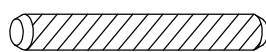
E



x1

Allen key
4mm

F



x8

Wood dowel
Ø10*30mm

G



x20

Flat Washer
Ø13*Ø1/4"*1mm



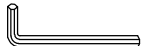


H

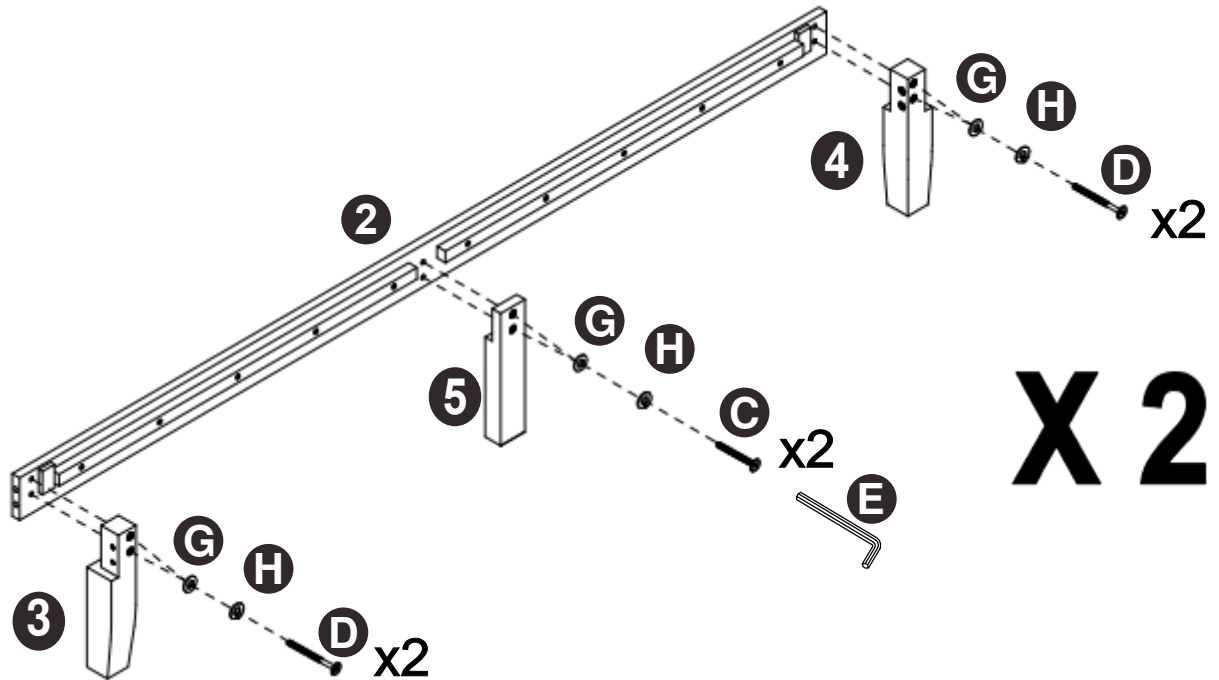


x20

lock Washer
Ø13*Ø1/4"*1.5mm


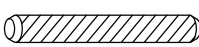



Step 1

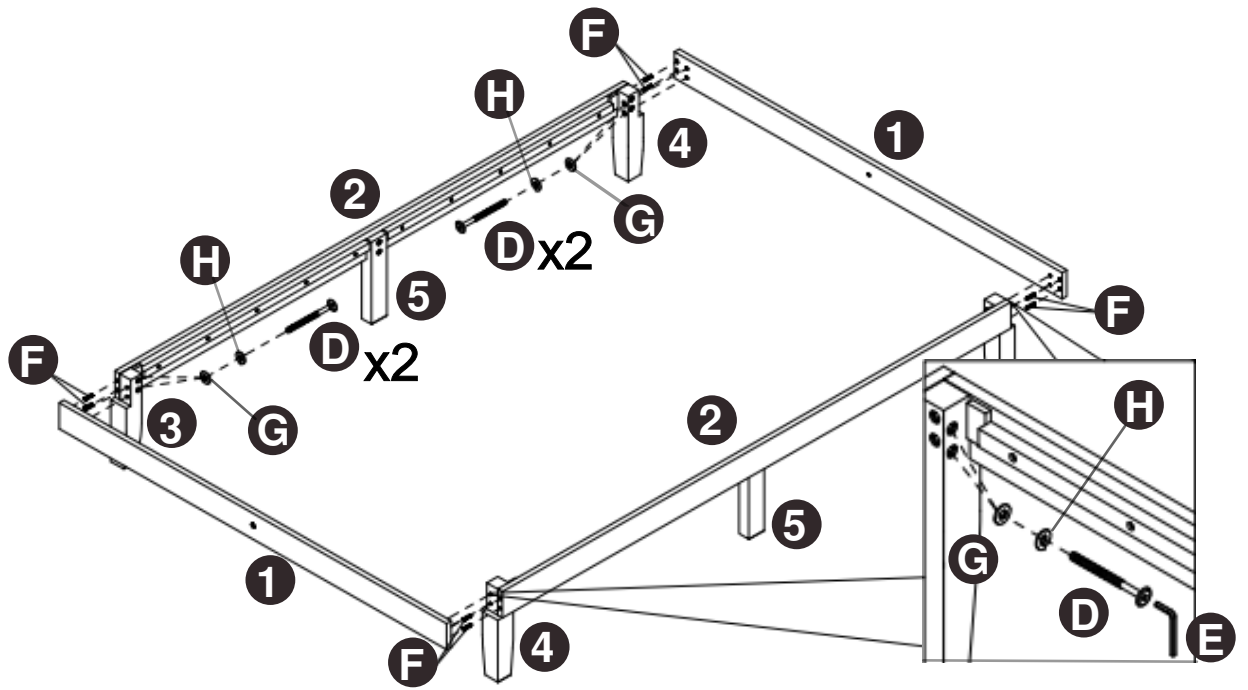
				
C*4	D*8	E*1	G*12	H*12



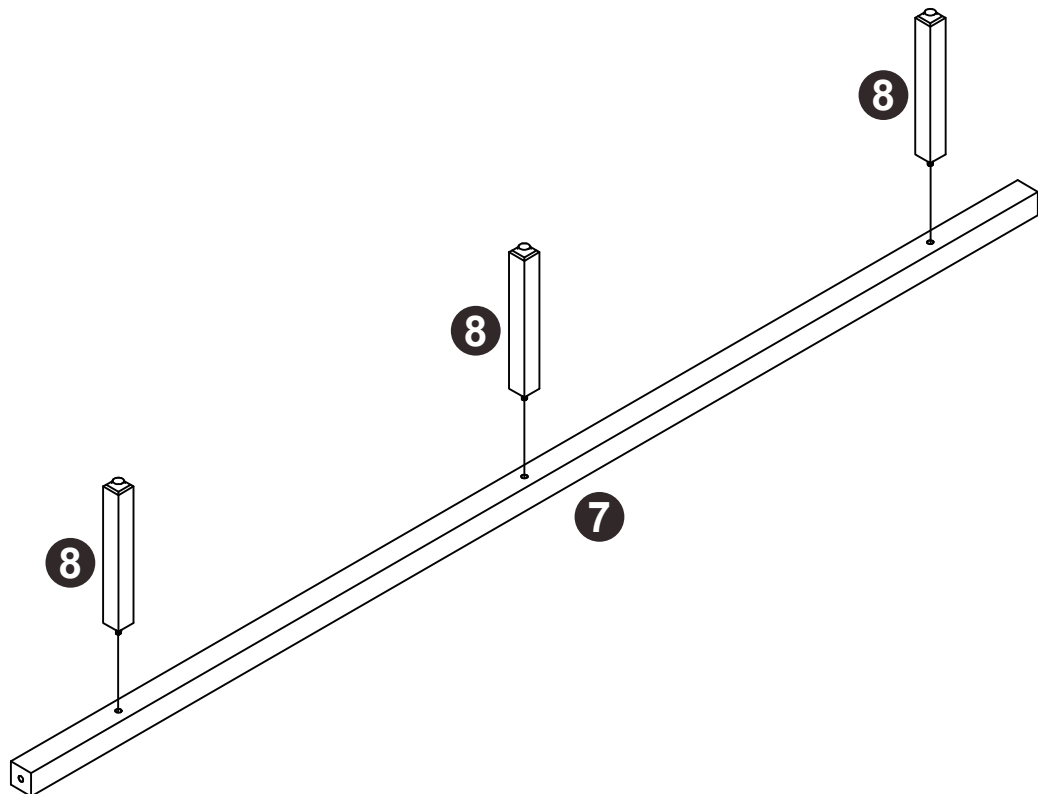
Step 2

NOTE: Perform the same steps on both sides.



				
D*8	F*8	E*1	G*8	H*8

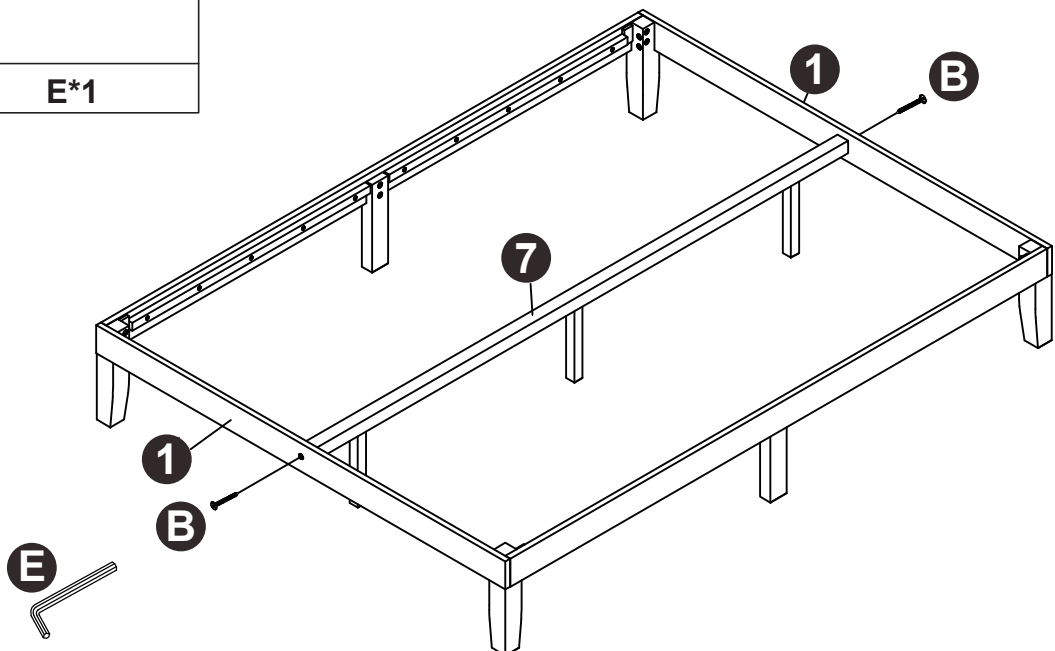


Step 3



Step 4

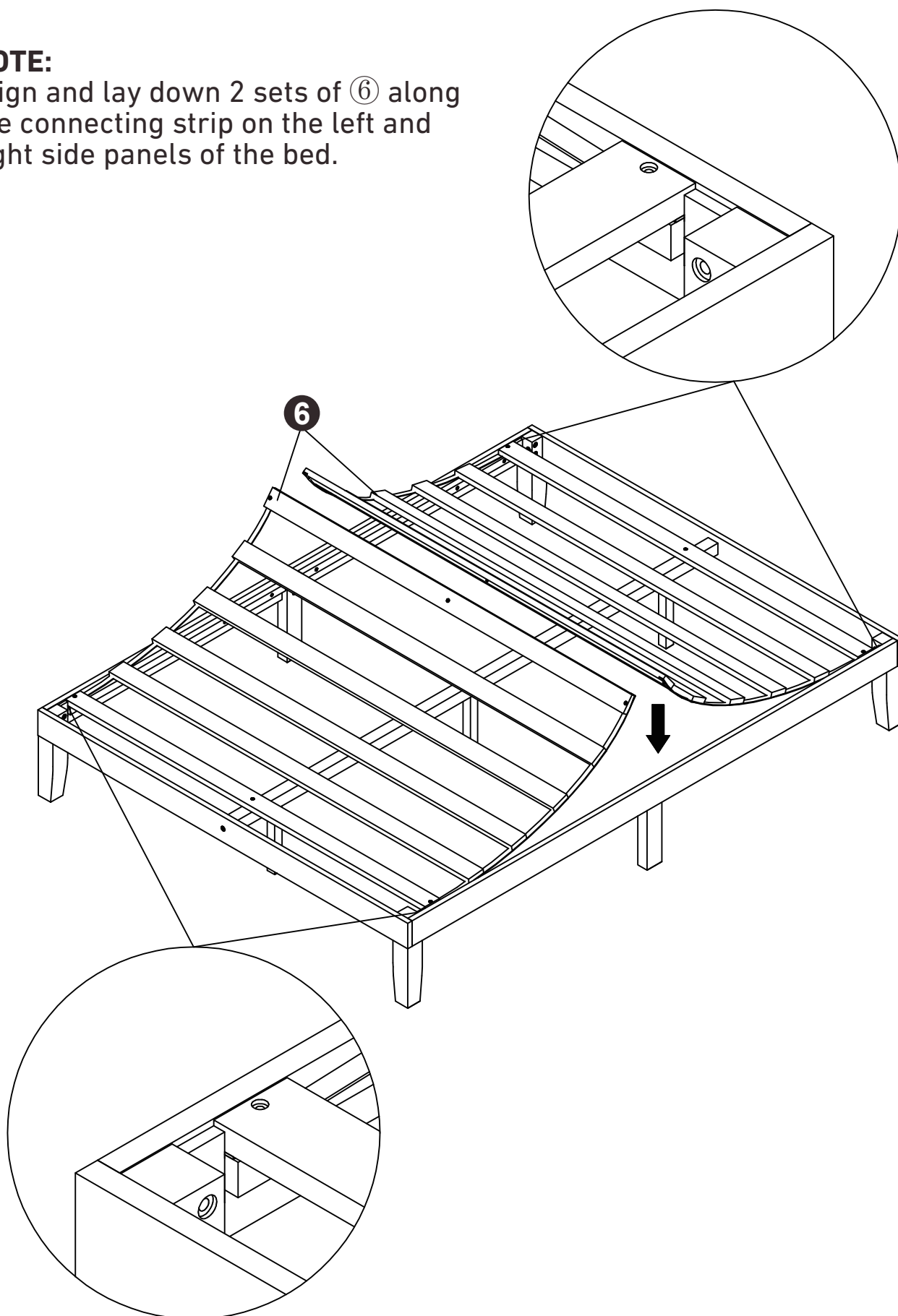
	
B*2	E*1



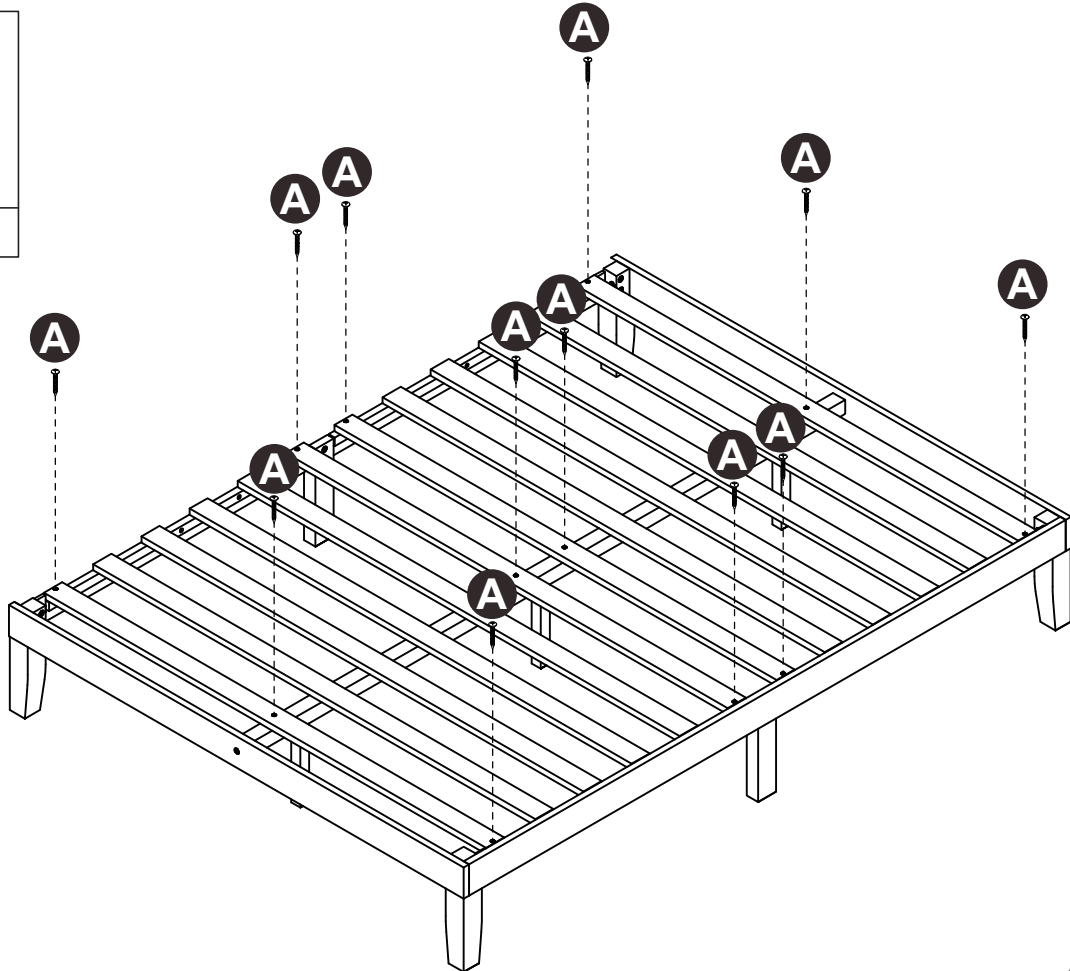
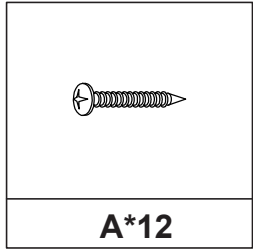
Step 5

NOTE:

Align and lay down 2 sets of ⑥ along the connecting strip on the left and right side panels of the bed.

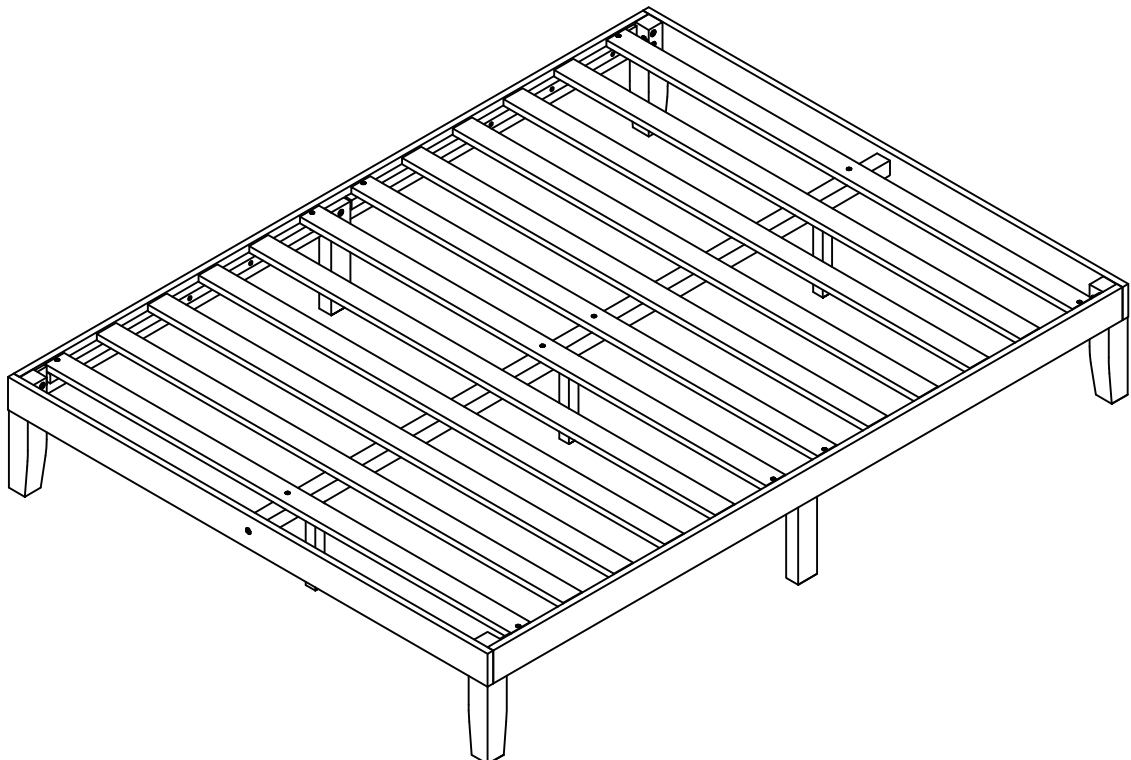


Step 6



Step 7

NOTE: Using a power drill (not included) works better.



NOTE: Do not throw away the instruction manual.