

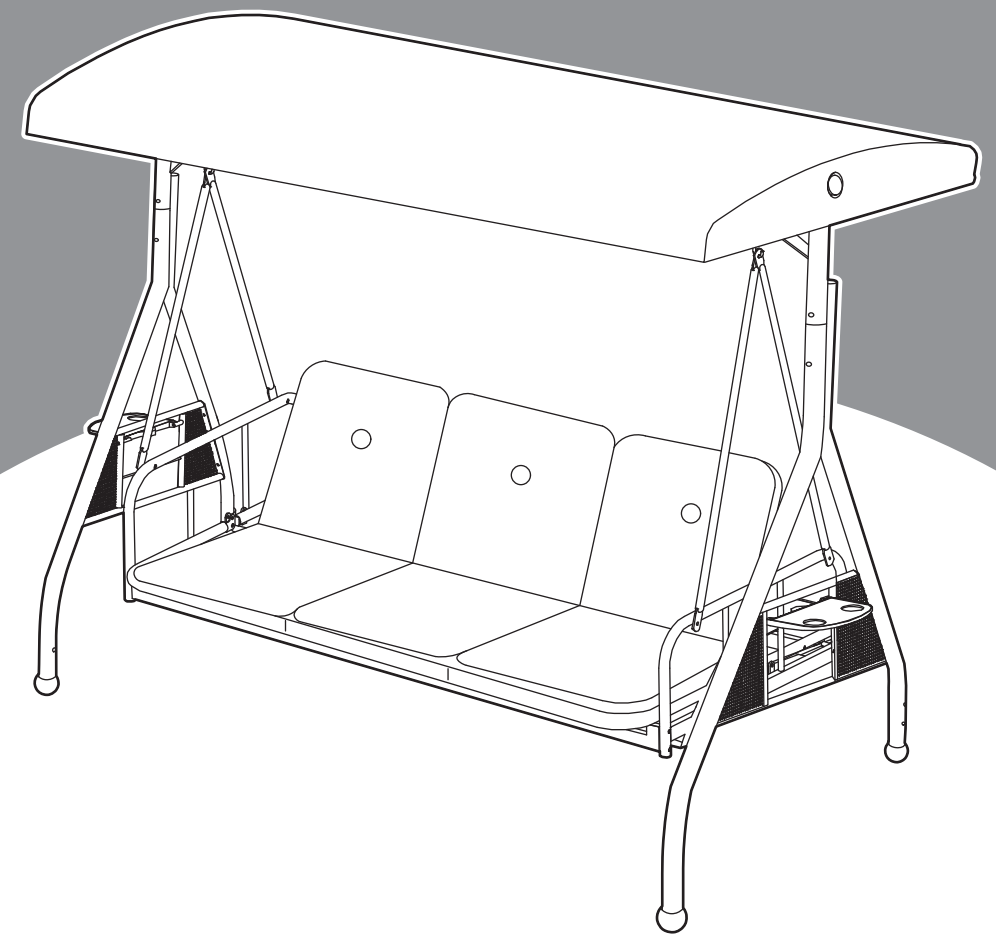
THANK YOU!

USER MANUAL

NOTE:

To continuously improve its products, reserves the right to modify this information without prior notification.

For any questions regarding assembly, please watch the video on the product page or contact our customer service. Our customer service will gladly assist you with any additional questions, comments, or concerns.



Luxury 3-Seat Swing Chair

Assembly is EASY!

**WE WANT
YOU TO
ENJOY LIFE
AT HOME**

GO TO THE PRODUCT LISTING PAGE
FOR AN INSTRUCTIONAL VIDEO!

CONTENTS

Parts List and Diagram.....	1
Assembly Steps.....	3
Warranty.....	17

Parts List and Diagram



Item No.	Reference Image	Qty.	Item No.	Reference Image	Qty.
A		x2	B		x2
C		x1	D		x1
E		x2	E1		x4
F		x1	F1		x1
H		x2	I		x1
I1		x1	J		x1
K		x2	M		x1
O	 M6x30	x9	P	 M8x60	x2
Q	 M8x105	x4	R	 M6x60	x4

Parts List and Diagram



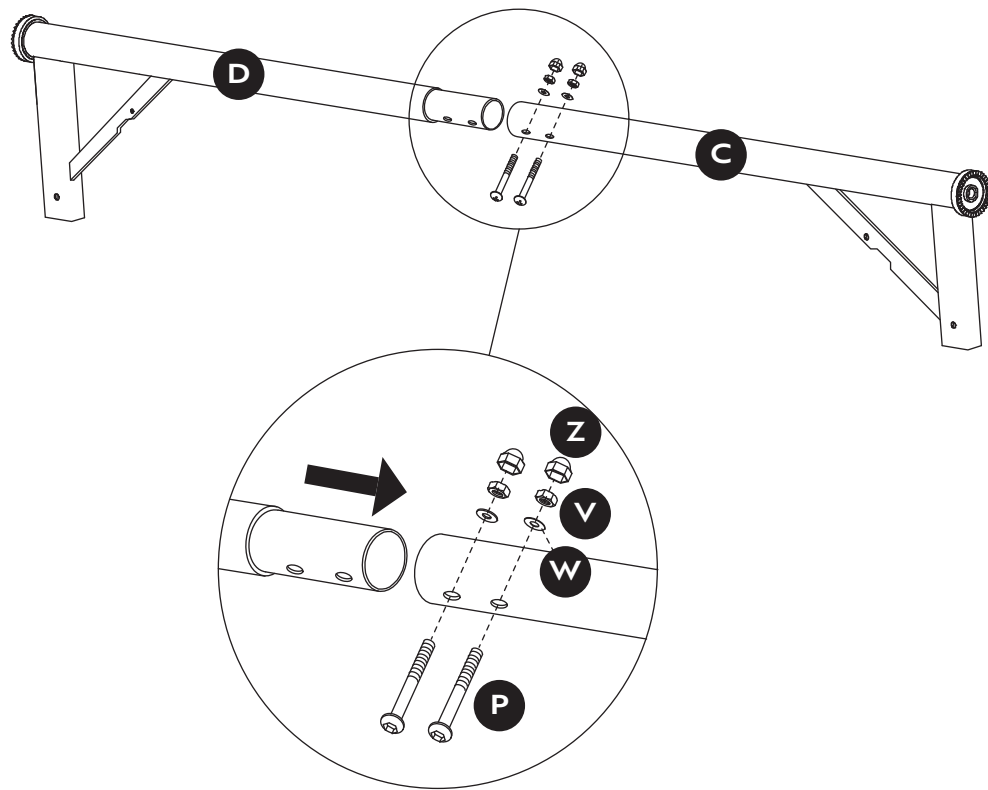
Item No.	Reference Image	Qty.	Item No.	Reference Image	Qty.
S1	 M8x55	x2	S	 M8x45	x4
T	 M8x70	x2	H1		x2
H2	 M8x50	x2	L		x4
Y1		x2	N		x3
U		x2	Y		x2
V	 M6	x5	W	 M6	x13
	 M8	x12		 M8	x12
Z	 M6	x5	AA	 M6&M8	x1
	 M8	x12	BB		x1

Assembly Steps



STEP 1

C x 1 pc. **D** x 1 pc. **P** x 2 pcs. **V** x 2 pcs.
W x 2 pcs. **Z** x 2 pcs.

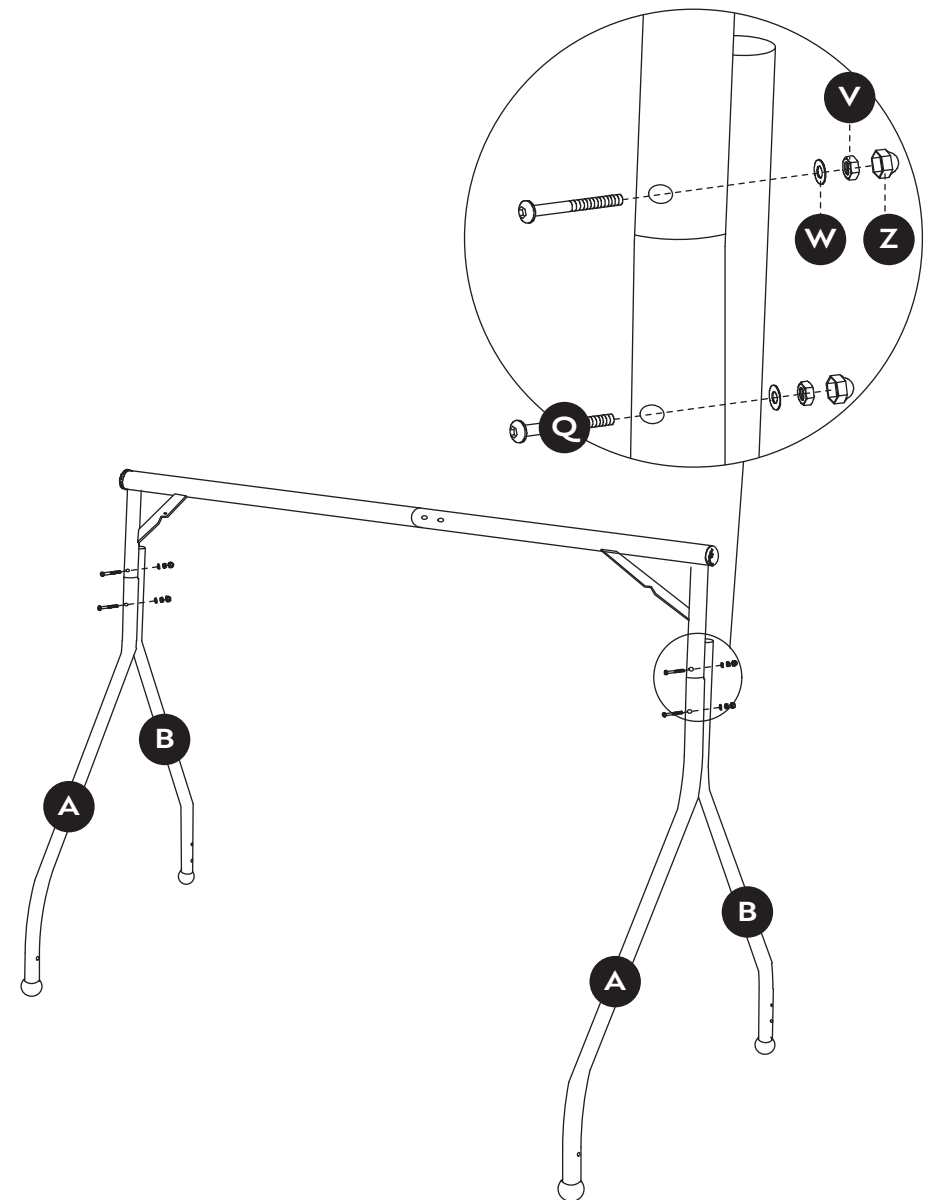


Assembly Steps



STEP 2

A x 2 pcs. **B** x 2 pcs. **Q** x 4 pcs. **V** x 4 pcs.
W x 4 pcs. **Z** x 4 pcs.

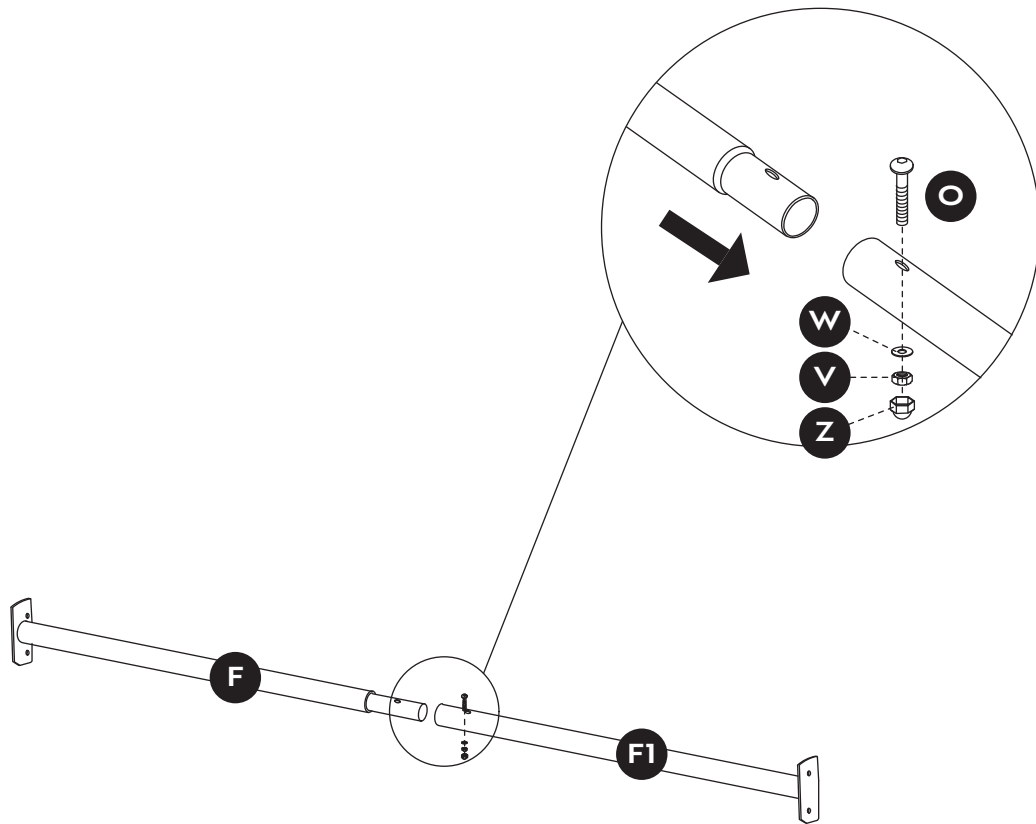


Assembly Steps



STEP 3

F x 1 pc. **F1** x 1 pc. **O** x 1 pc. **V** x 1 pc.
W x 1 pc. **Z** x 1 pc.

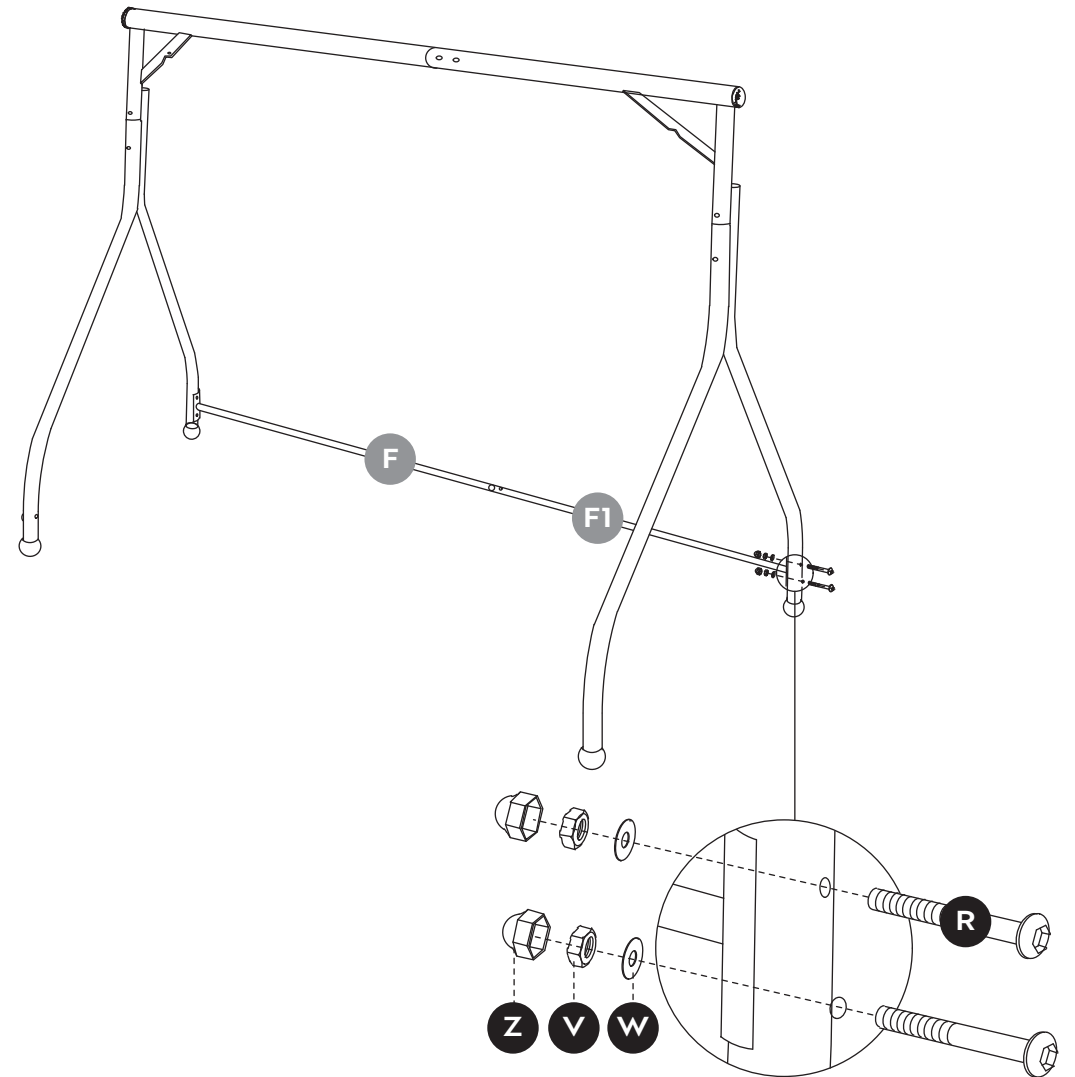


Assembly Steps



STEP 4

R x 4 pcs. **V** x 4 pcs. **W** x 4 pcs. **Z** x 4 pcs.

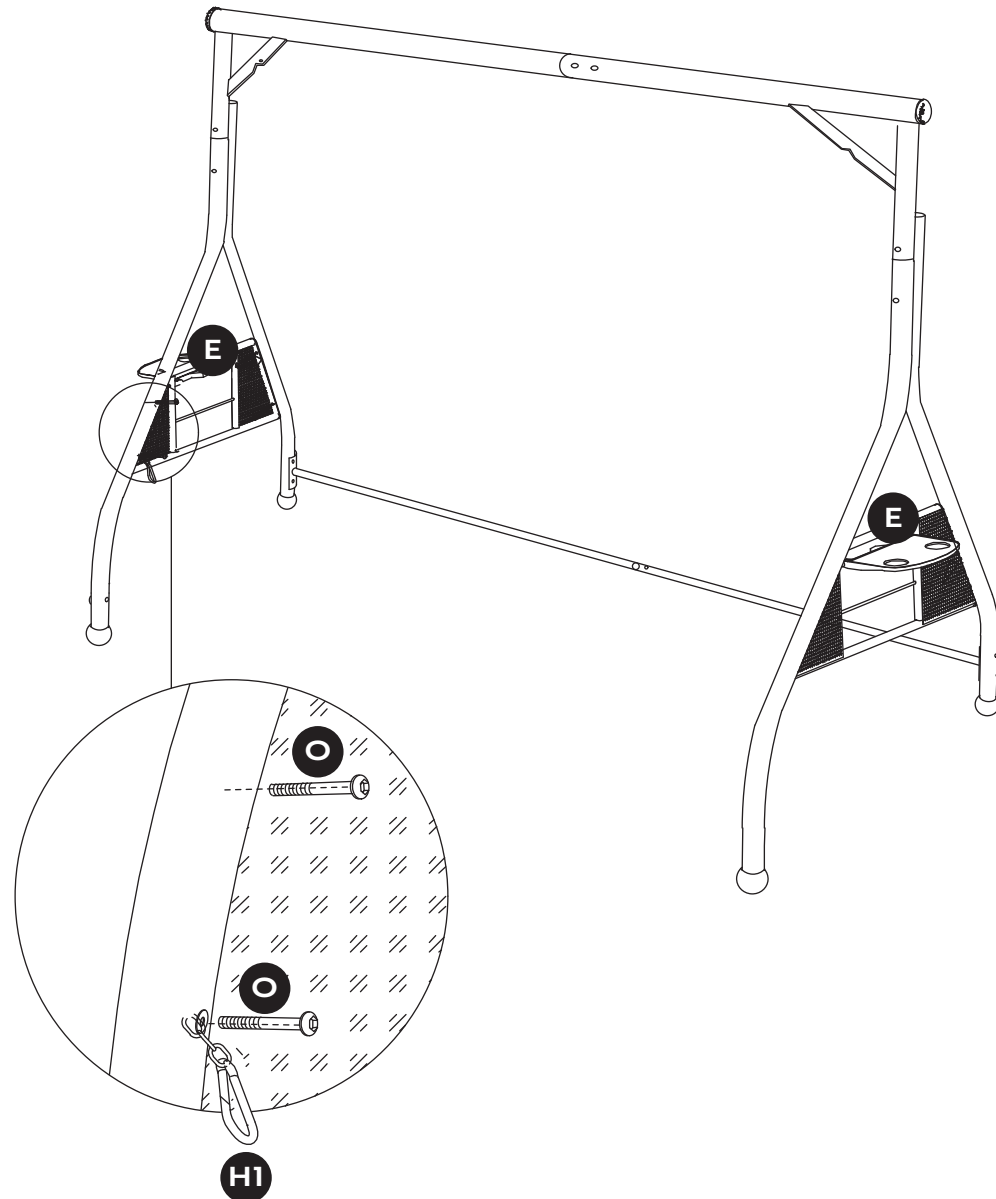


Assembly Steps



STEP 5

E x 2 pcs. **O** x 8 pcs. **H1** x 2 pcs.

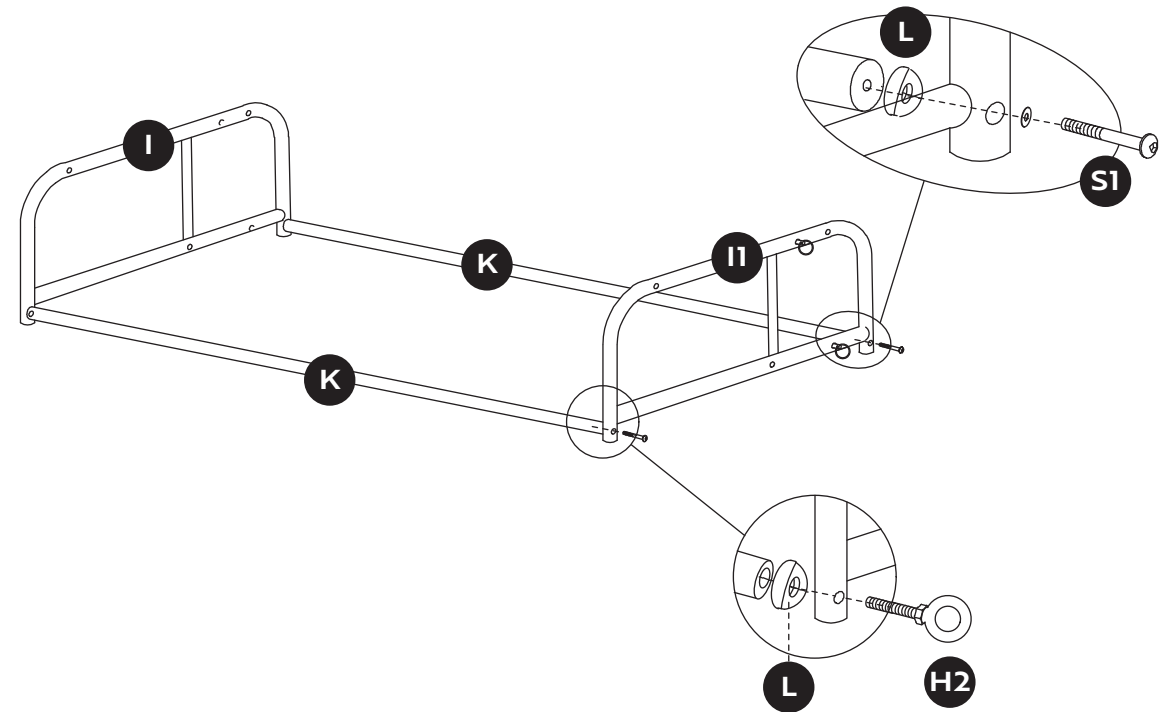


Assembly Steps



STEP 6

I x 1 pc. **II** x 1 pc. **K** x 2 pcs. **L** x 4 pcs.
H2 x 2 pcs. **S1** x 2 pcs.

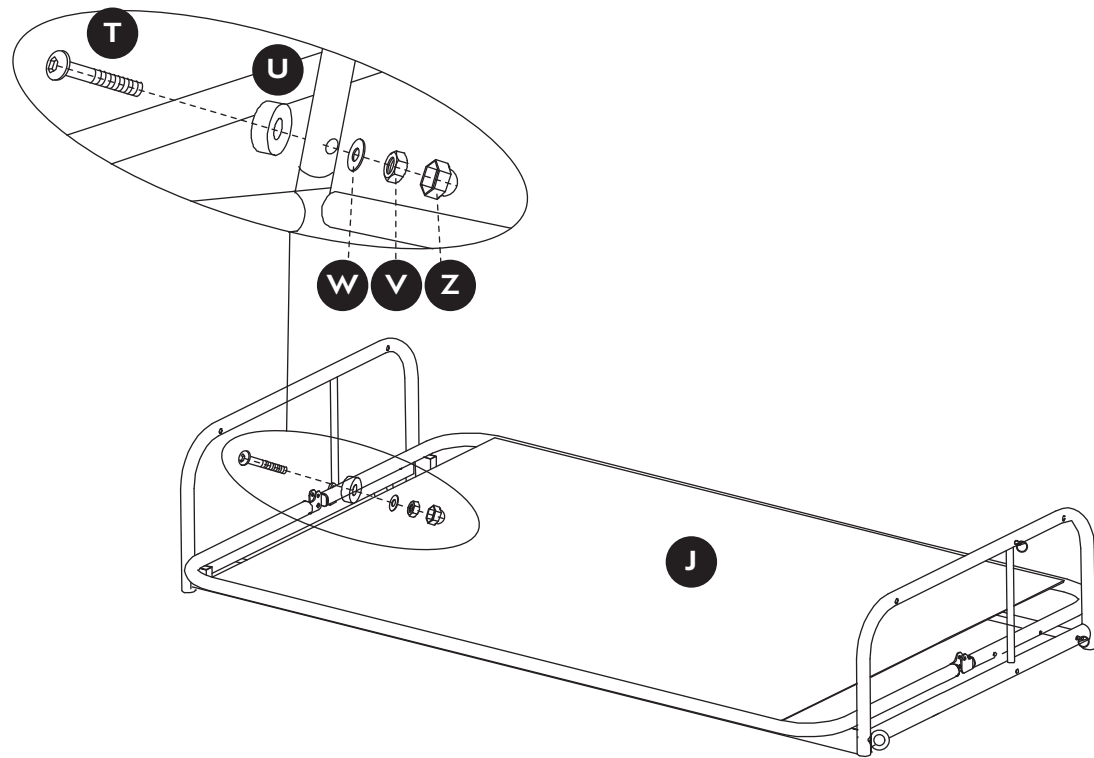


Assembly Steps



STEP 7

J x 1 pc. **U** x 1 pc. **T** x 2 pcs. **U** x 4 pcs.
V x 2 pcs. **W** x 2 pcs. **Z** x 2 pcs.

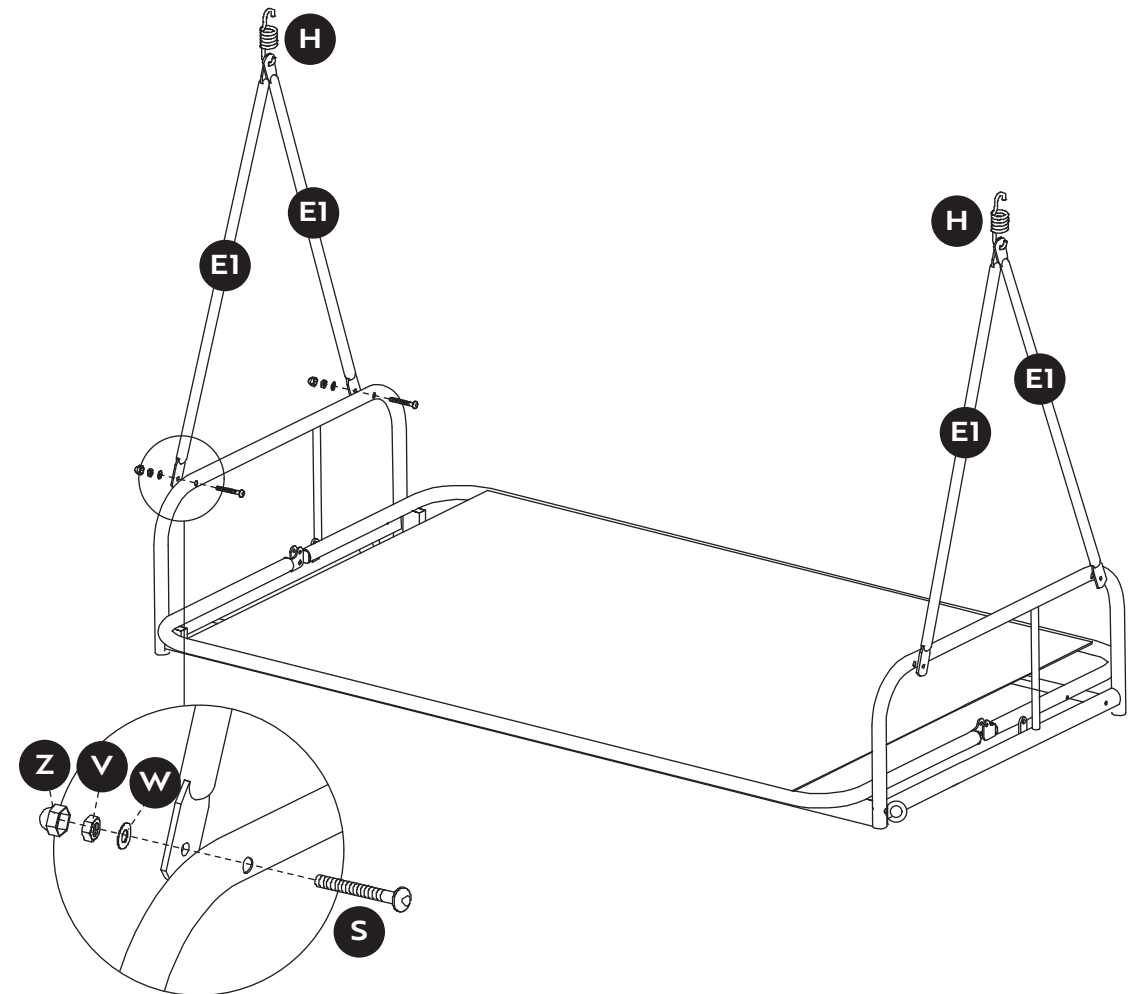


Assembly Steps



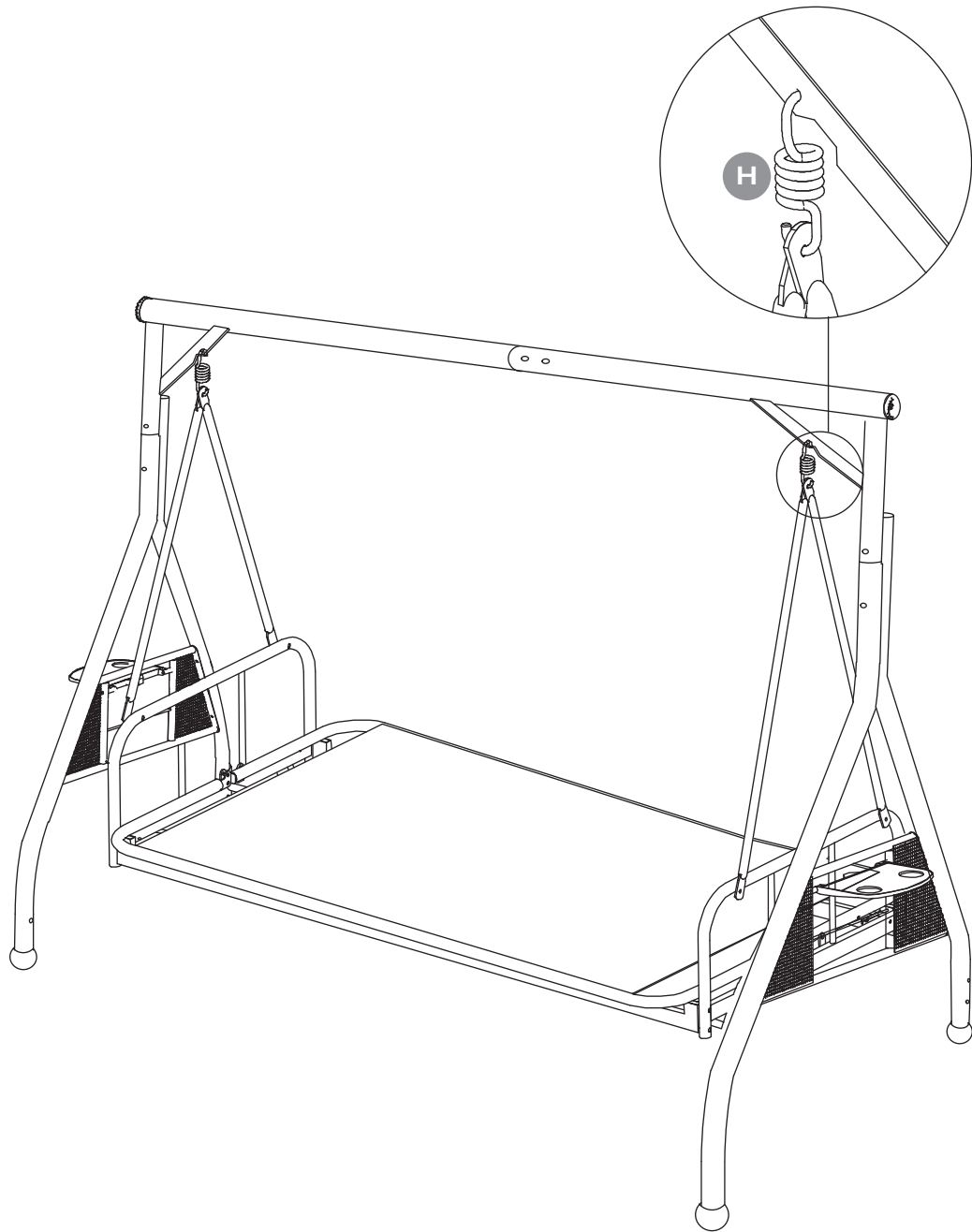
STEP 8

E1 x 4 pcs. **H** x 2 pcs. **S** x 4 pcs. **V** x 4 pcs.
W x 4 pcs. **Z** x 4 pcs.





STEP 9

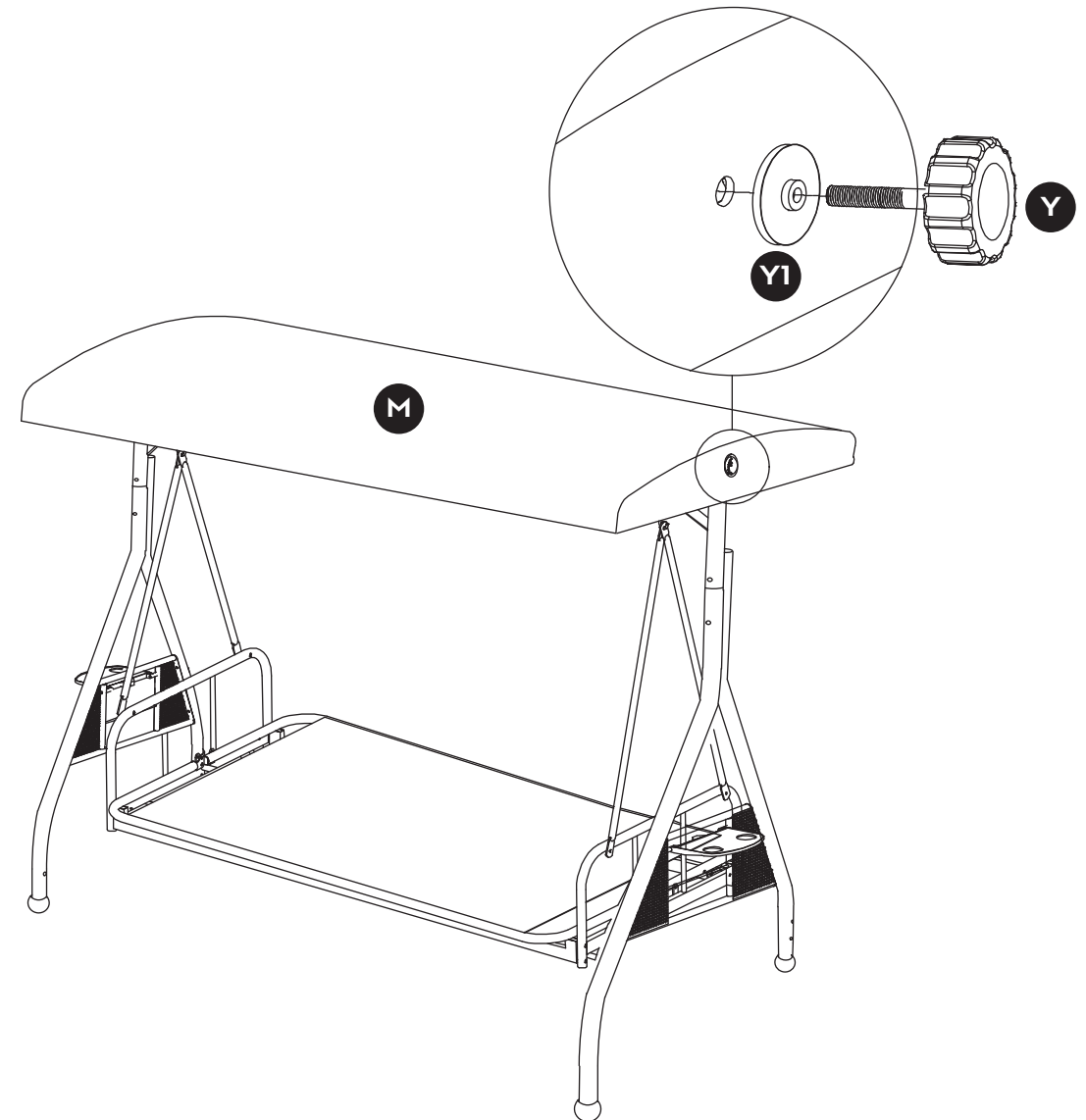


STEP 10

M x 1 pc.

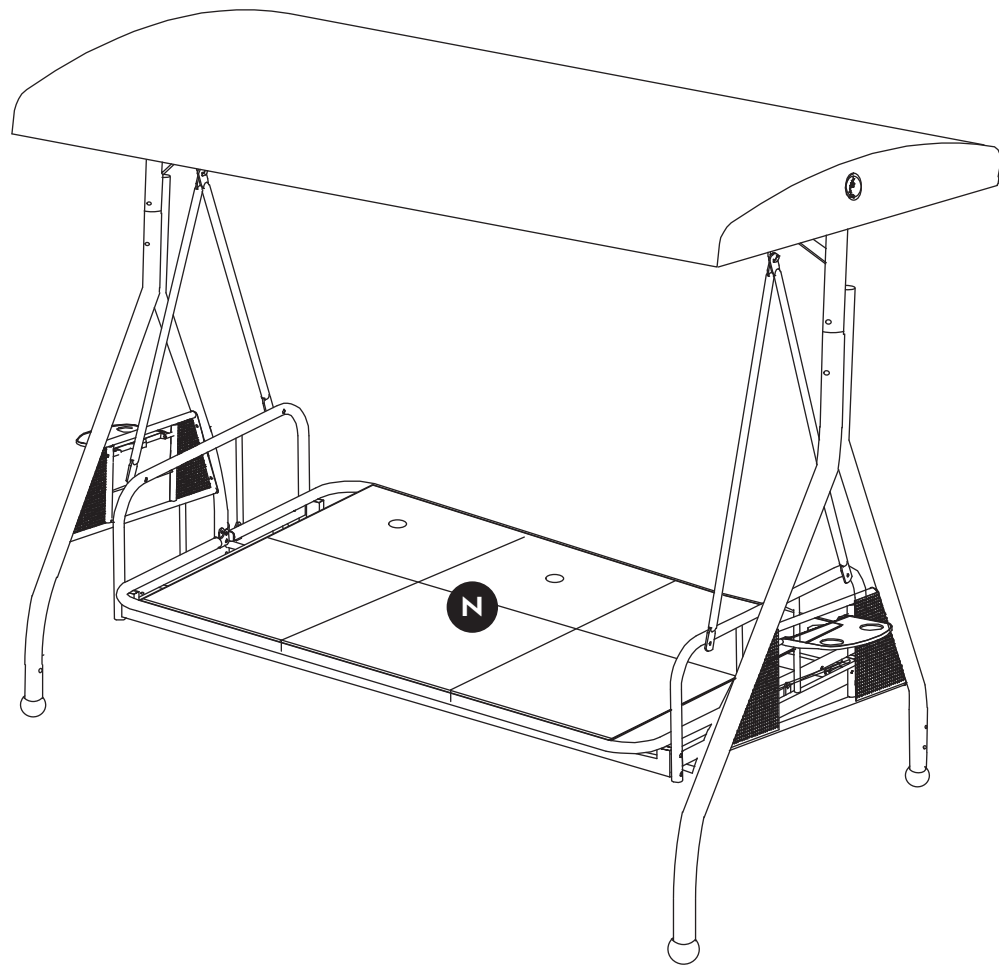
Y x 2 pcs.

Y1 x 2 pcs.

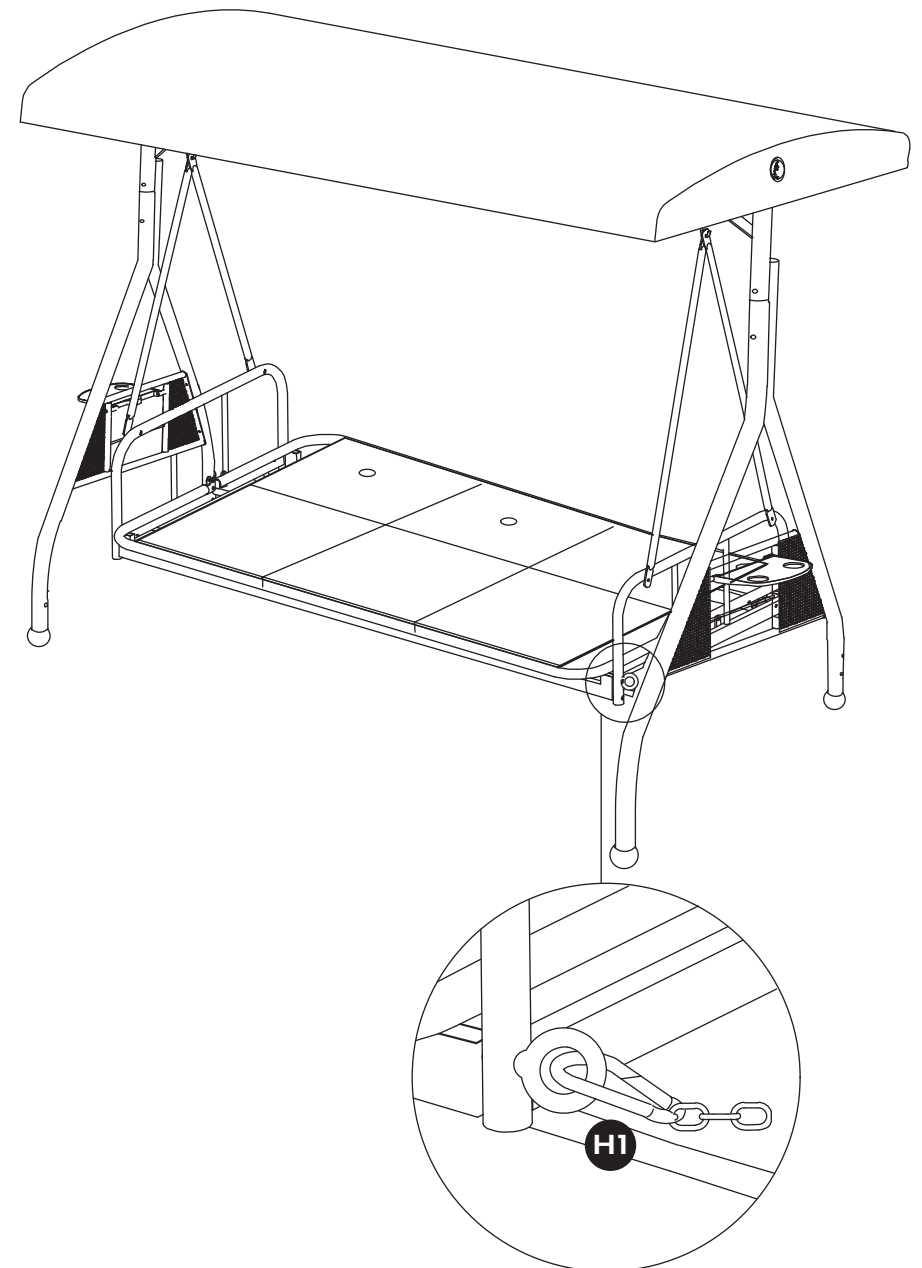




STEP 11 N x 3 pcs.

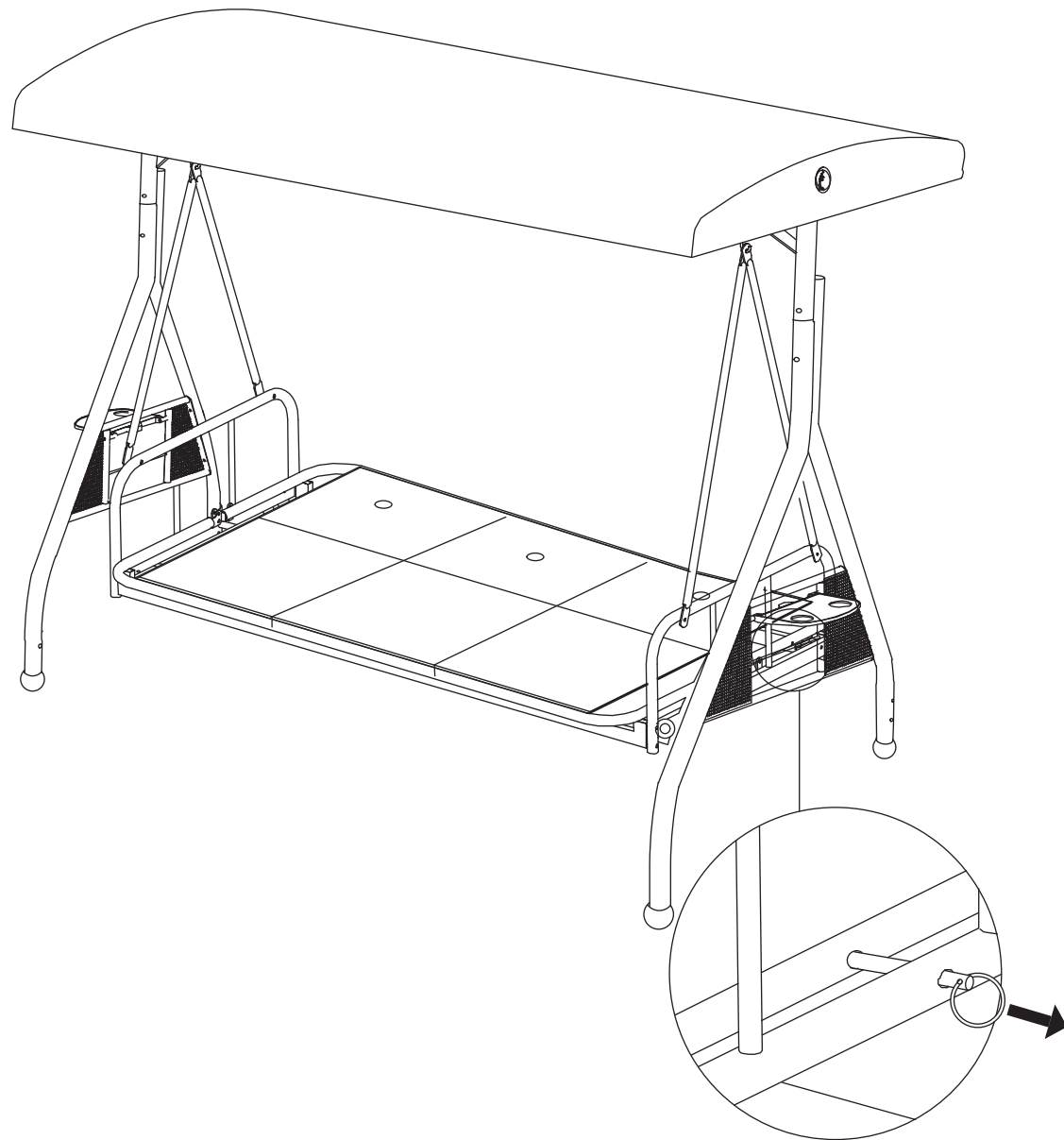


STEP 12 H1 x 2 pcs.

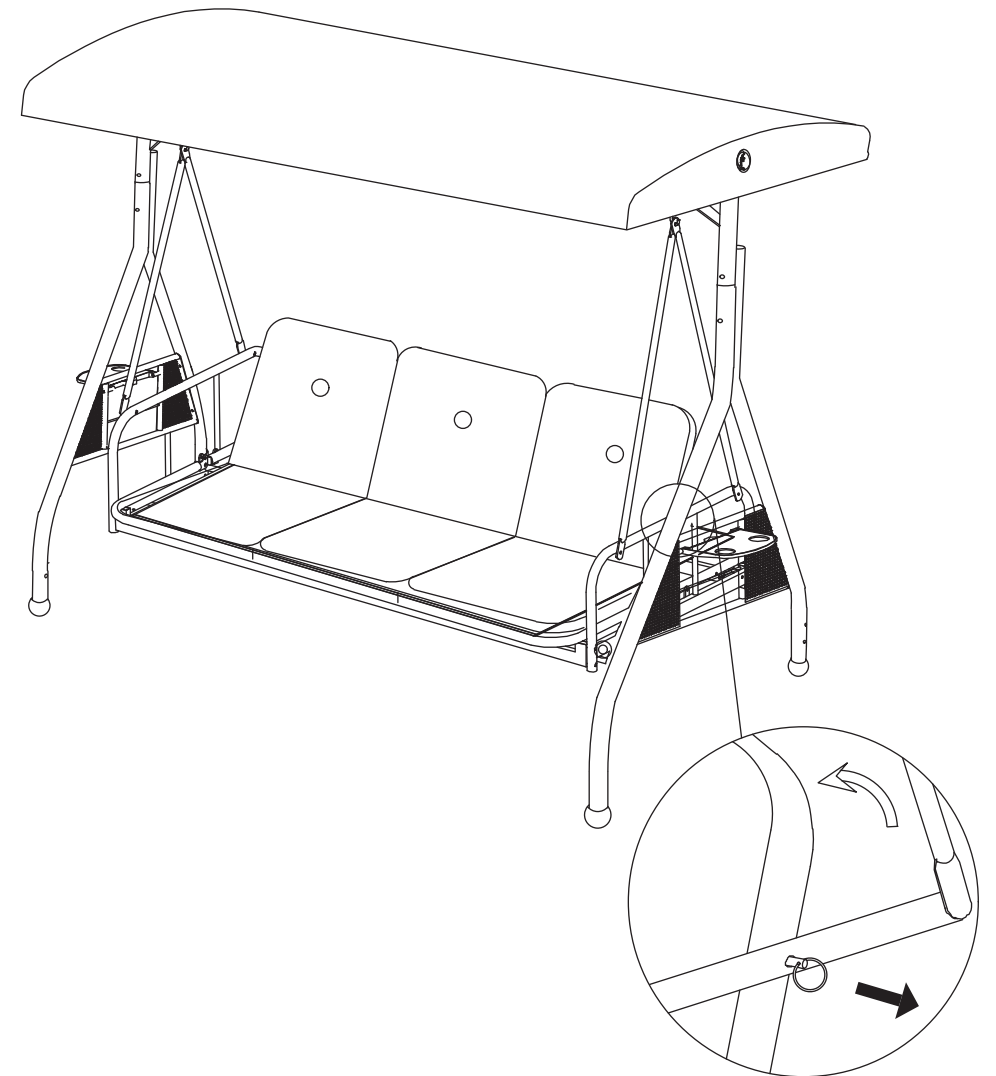




STEP 13



STEP 14





The warranty program is our commitment to you.

We are committed to providing you with a high-quality product that meets your needs and expectations. To demonstrate our confidence in the durability and performance of our products, we offer the following warranty.

WARRANTY COVERAGE

This warranty program applies to any orders, purchases, receipts, or use of any products sold by us and is valid for a period of 1 year from the date of purchase. However, please note that this warranty period is only valid for the original order. If you receive a replacement order during the warranty period, it will not include a separate warranty period.

WARRANTY EXCLUSIONS

This warranty does not cover damage resulting from misuse, accident, unauthorized modification, or any other circumstances not directly related to the manufacturing and design of the product, including but not limited to:

- Parts lost during use.
- Normal wear and tear of products or parts.
- Incorrect installation (such as using the wrong voltage) or assembly.
- Exceeding the bearing capacity of the product.
- Use under extremely harsh conditions.
- Improper cleaning or maintenance.
- Damage caused by any reason other than the intended use of the product.
- Indirect loss or damage caused by the product.



HOW TO MAKE A WARRANTY CLAIM

If you find any defects that affect the use of the product or if the product stops working and cannot be repaired during the warranty period, please contact our customer service team at our email or via Amazon & app' s direct messaging service as soon as possible. Provide the following information to expedite the process:

- Order number
- Images and/or videos illustrating the issue
- A detailed description of the problem

We will provide technical support, replacement, refund, or other solutions based on the nature of the issue. If you wish to return the original package for any reason, please contact us for confirmation before proceeding. You can expect to receive a response within 48 hours.

Thank you for choosing our product. We are committed to ensuring the quality and satisfaction of your purchase. If you have any questions or need assistance, please do not hesitate to contact our customer service team.