

USER'S MANUAL

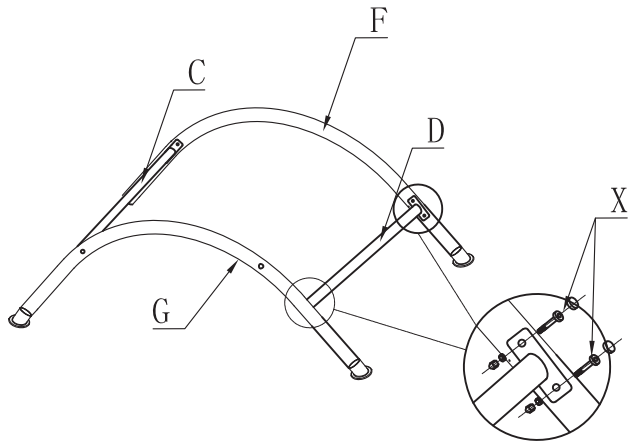
Lounge Chair with Canopy Shade

PRODUCT ASSEMBLY

A	x1	B	x2	C	x1	D	x1	E	x1	F	x1	G	x1	H	x1
I	x1	J	x2	K	x2	L	x2	M	x1	N	x1	P		x2	
Q	x2	R	x2	SS	x2	U	x4	V		x4	W	x2	X		x8
M6x30		M6x35		M6x22		M8x48		M8x90		M6x55		M6x48			
Y	x1	Z1		x1	Z2	x1	Z3	x1	Z4	x1	Z6	x4	Z7	x1	

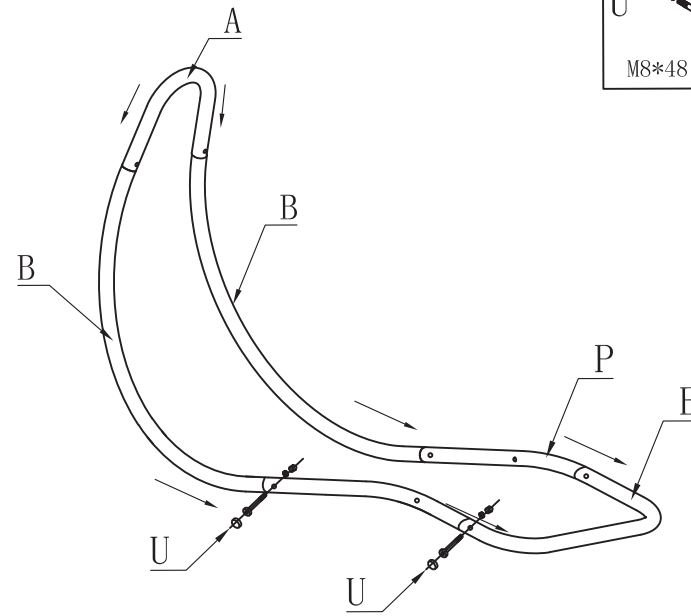
1

X
M6*48 X 8



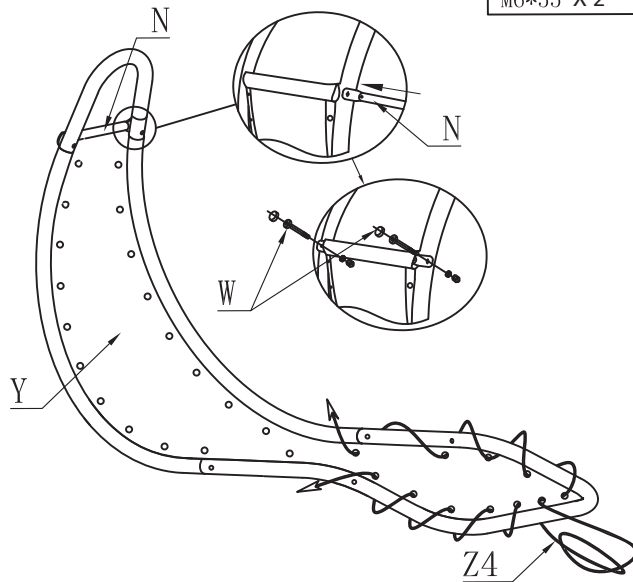
2

U
M8*48 X 4



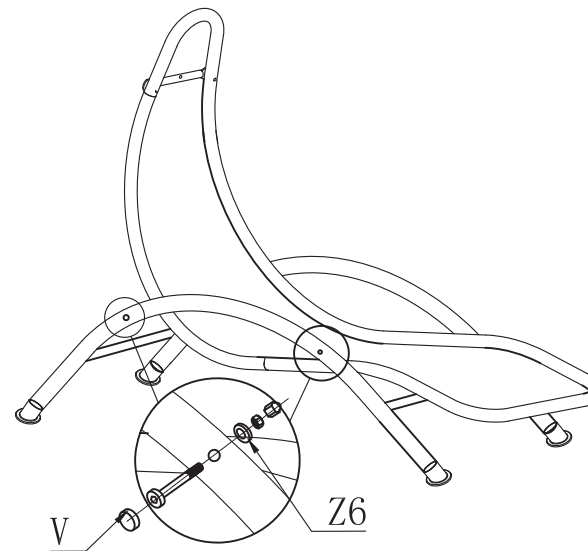
3

W
M6*55 X 2

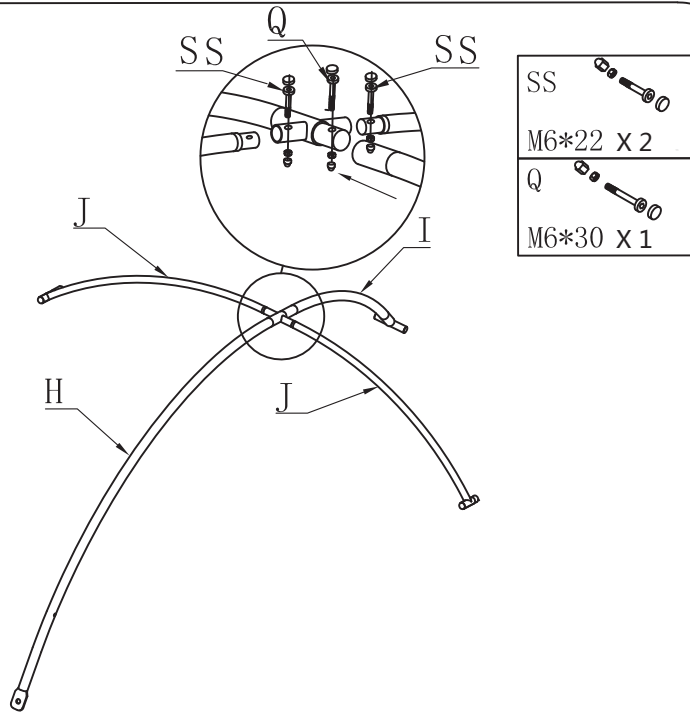


4

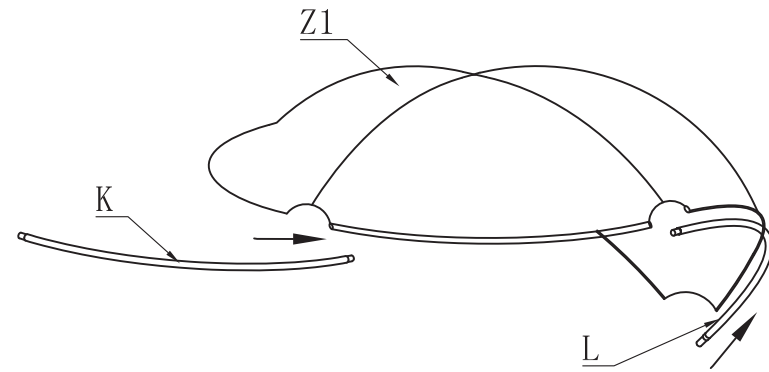
V
M8*90 X 4
Z6
X 4



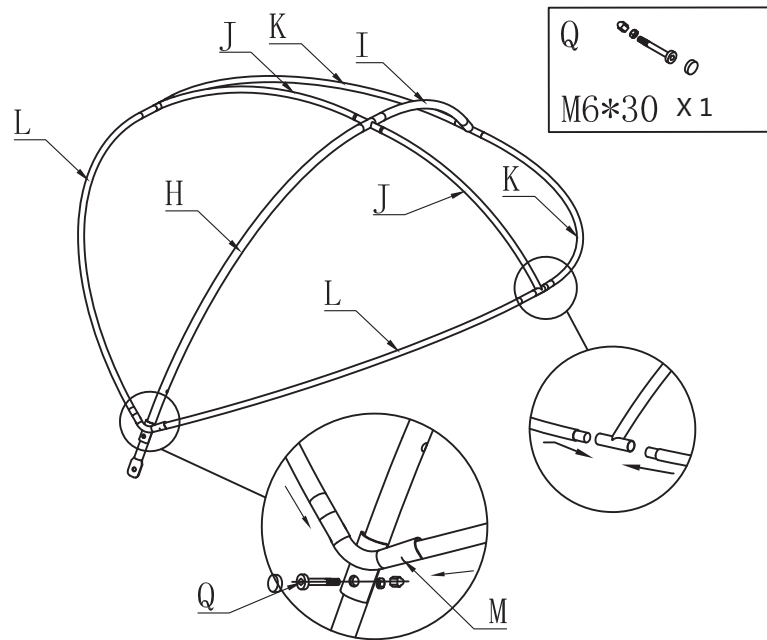
5



6



7



8

