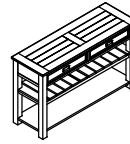


ASSEMBLY INSTRUCTIONS



953-925

TOOLS REQUIRED:

Allen Wrench (supplied, Part # D)

BEFORE YOU START:

1. Check the hardware against the hardware list to make sure all items are present.
2. Assemble your furniture on a soft, flat surface to avoid scratching the finish.
3. **CAUTION:** Do not over tighten screws, nuts or bolts during assembly.
4. Your furniture may require occasional tightening.

INSTRUCTIONS:

1. Turn the top upside down on a clean soft surface and remove the drawer by fully extending it to expose the lever in the track. Release by pushing on lever one up and one down. As shown in Figure 1
2. Attach the three legs to the top panel using big Flat Washer (A), big Lock Washer (B) and longer Bolt (C), tighten with the Allen Wrench (D). As Shown in Figure 1. (Do not over tighten bolts during assembly.)
3. Attach the middle slat shelf to the three legs using big Flat Washer (A), big Lock Washer (B) and longer Bolt (C), tighten with the Allen Wrench (D). As Shown in Figure 2. (Do not over tighten bolts during assembly.)
4. Attach the bottom panel shelf to the three legs using Metal L Bracket (H), small Flat Washer (E), small Lock Washer (F) and short Bolt (G), tighten with the Allen Wrench (D). As Shown in Figure 3. (Do not over tighten bolts during assembly.)
5. Repeat steps 2,3,4 for the fourth leg. As shown in Figure 4.
6. Tighten all bolts before setting table back upright.
7. Replace the drawers by sliding them back into the track.

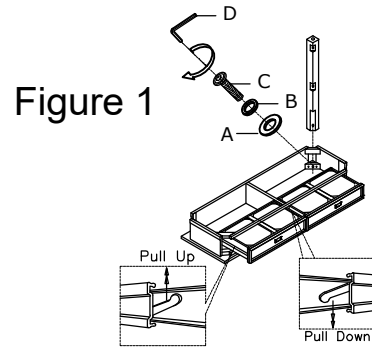


Figure 1

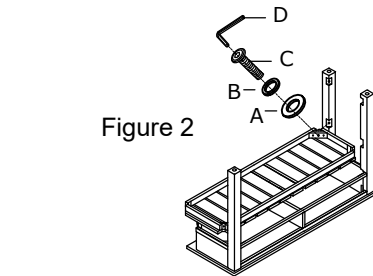


Figure 2

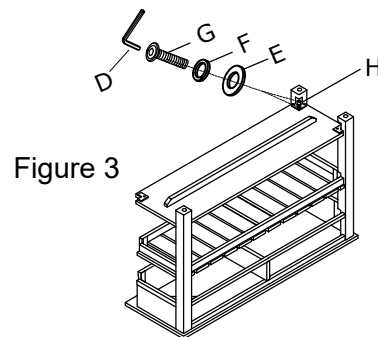


Figure 3

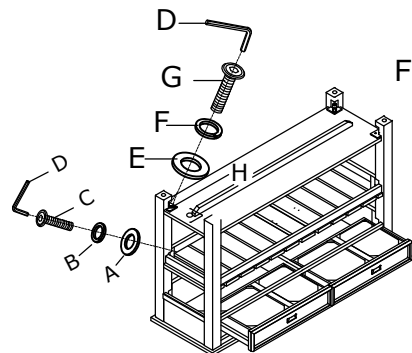










Figure 4

HARDWARE LIST

NO.	Drawing	Description	Q'TY
A		Flat Washer (Ø5/16 "x19x2mm)	8pcs
B		Lock Washer (Ø5/16 "x13mm)	8pcs
C		Allen Bolt (Ø5/16 "x1-3/4")	8pcs
D		4mm Allen Wrench	1pc
E		Flat Washer (Ø1/4"x13x2mm)	8pcs
F		Lock Washer (Ø1/4 "x13mm)	8pcs
G		Allen Bolt (Ø1/4"x5/8")	8pcs
H		Metal Bracket (L) ((41*21) * 18 * 2)	4pcs