

A



18PCS

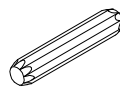
B



18PCS

C

8\*40



16PCS

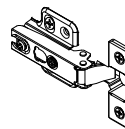
D

3.5\*14



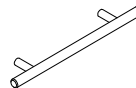
24PCS

E



6PCS

F



2PCS

G

4\*18



4PCS

H



4PCS

I

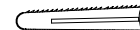
4\*50



10PCS

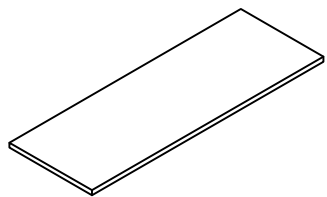
J

8\*40



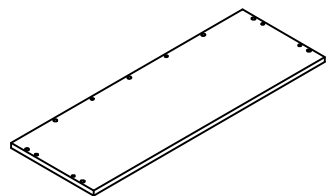
10PCS

1



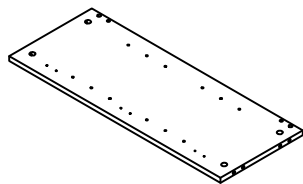
800\*285 1PS

2



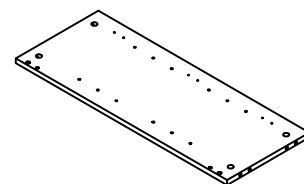
800\*285 1PS

3



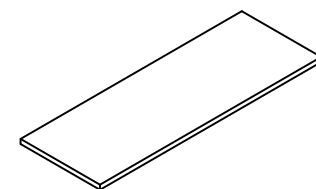
730\*285 1PS

4



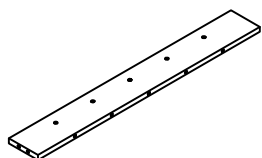
730\*285 1PS

5



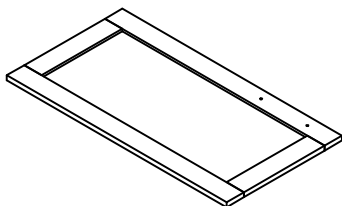
765\*275 1PS

6



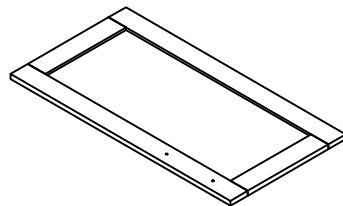
768\*100 2PS

7



760\*399 1PS

8



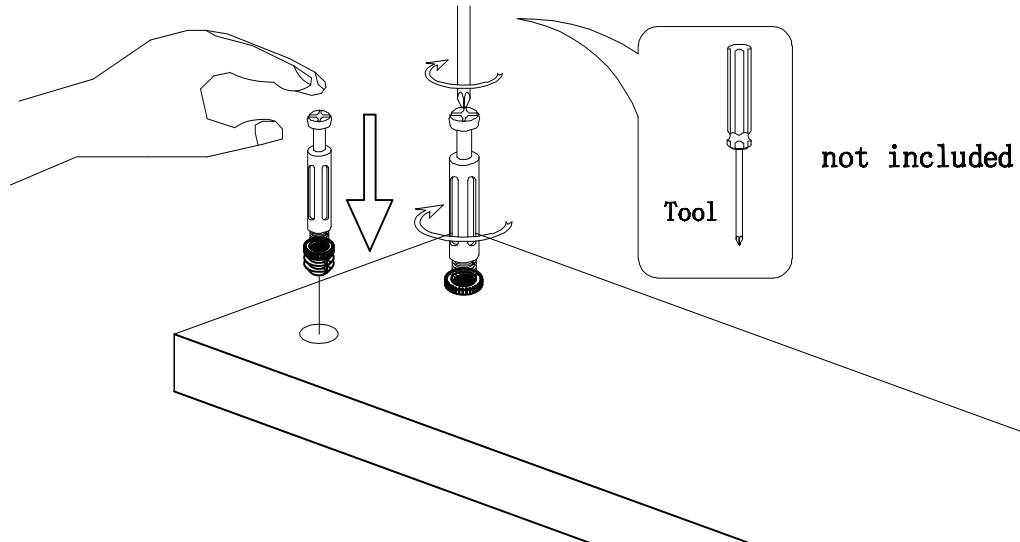
760\*399 1PS



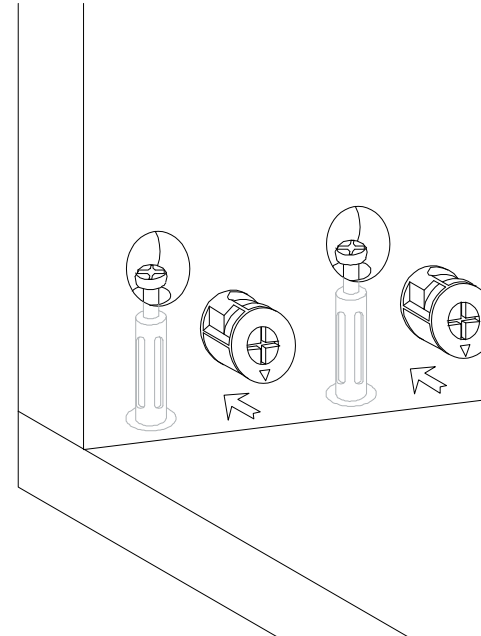
## Hardware installation demonstration

NOTE: Please make sure "A" hardware tightened and can't be pulled out!

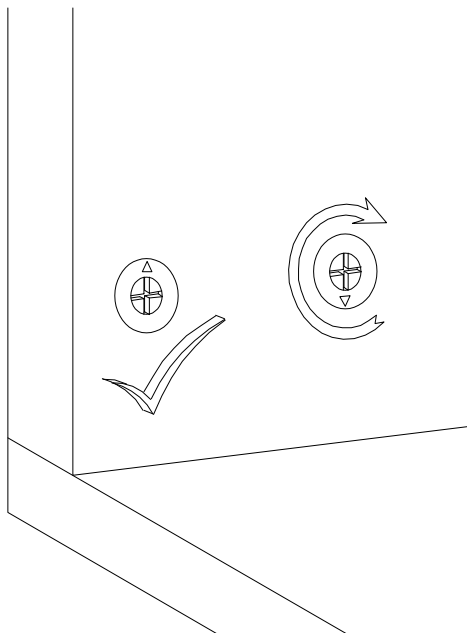
I



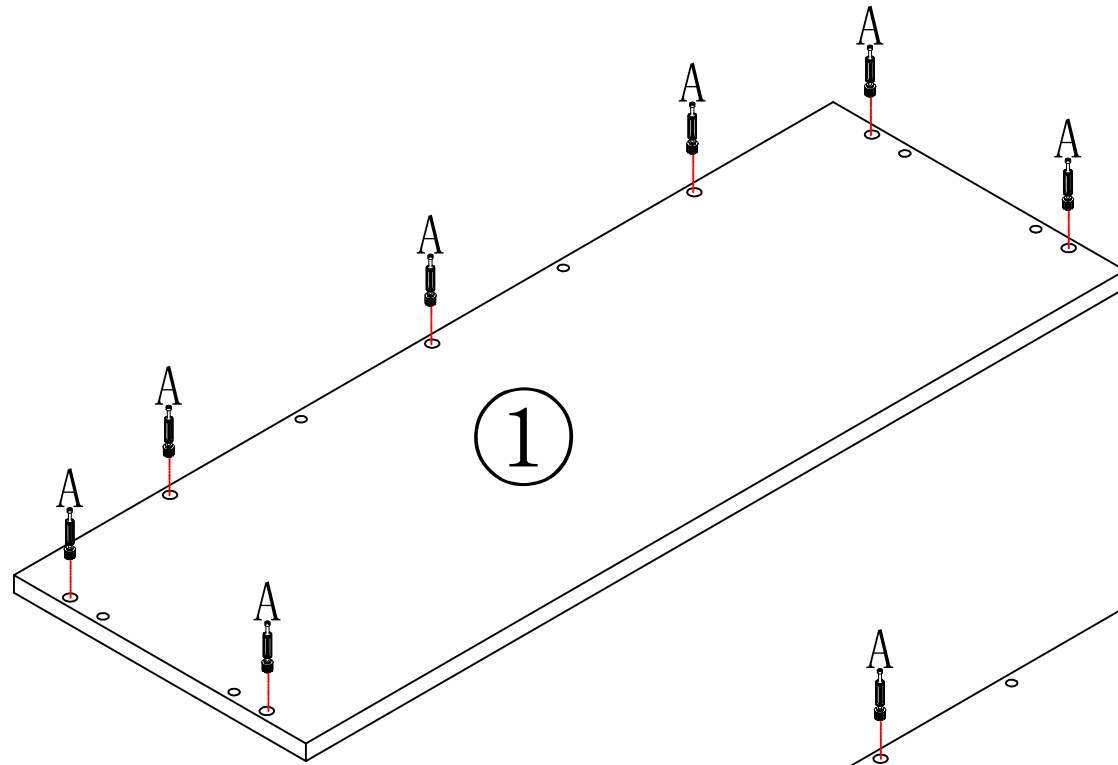
II



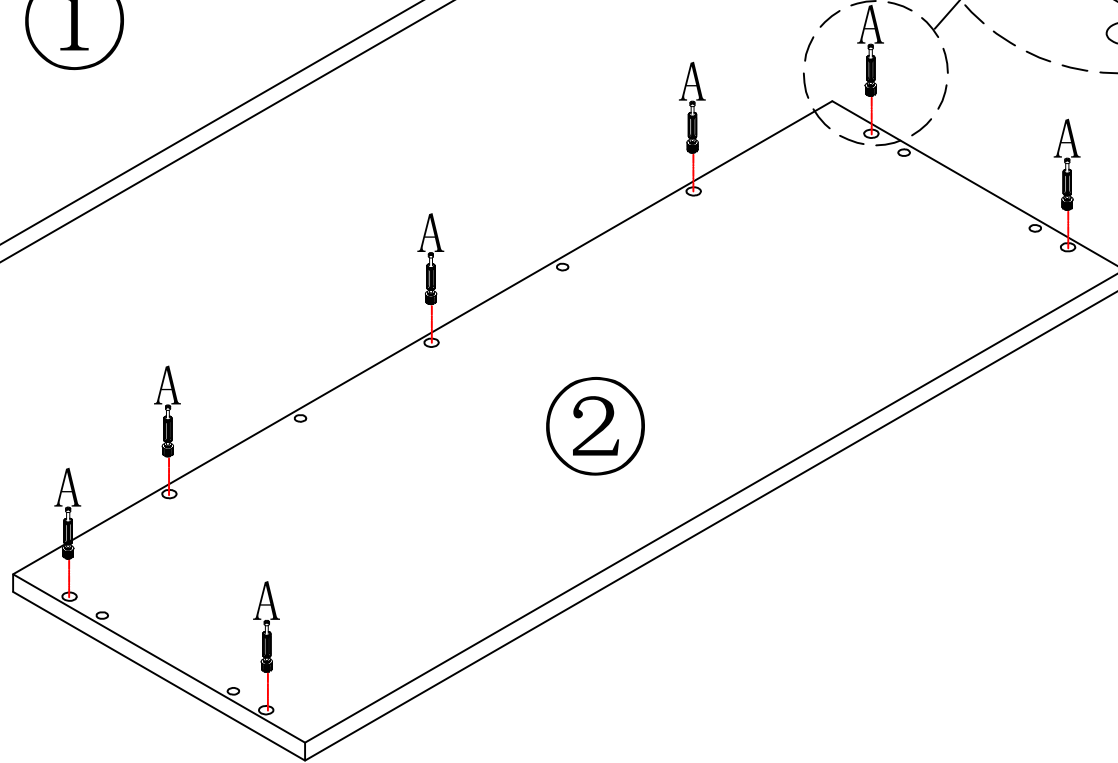
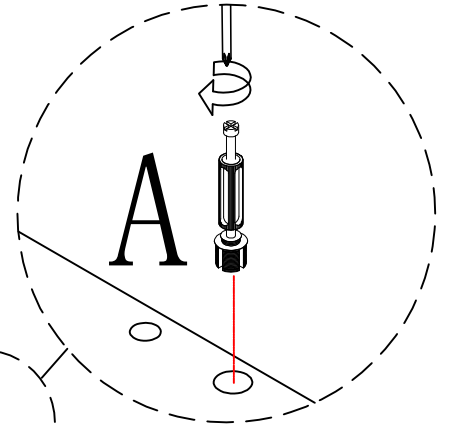
III



①



①



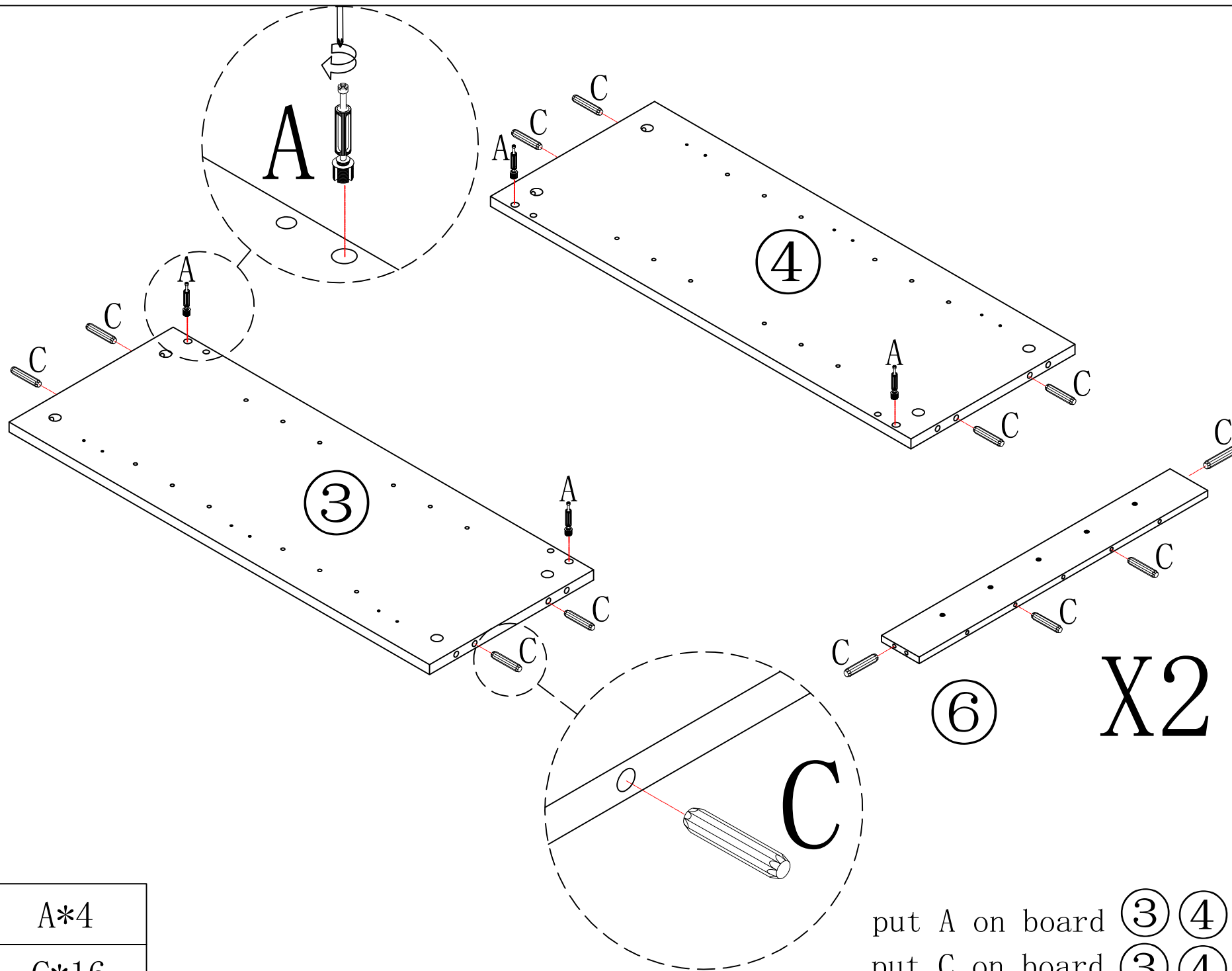
②

put A on board ① ②



A\*14

2



A\*4



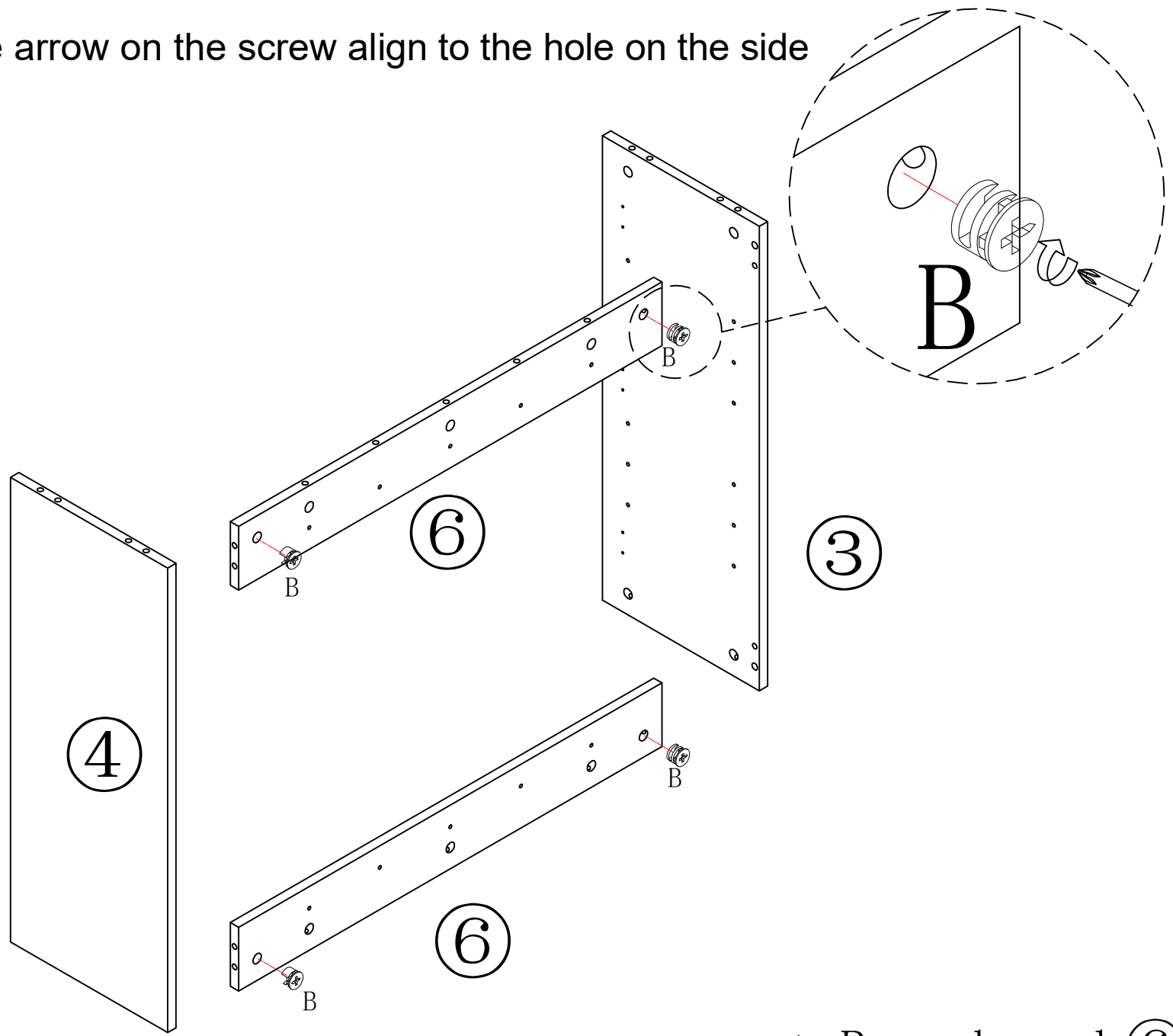
C\*16

put A on board 3 4

put C on board 3 4 6

3

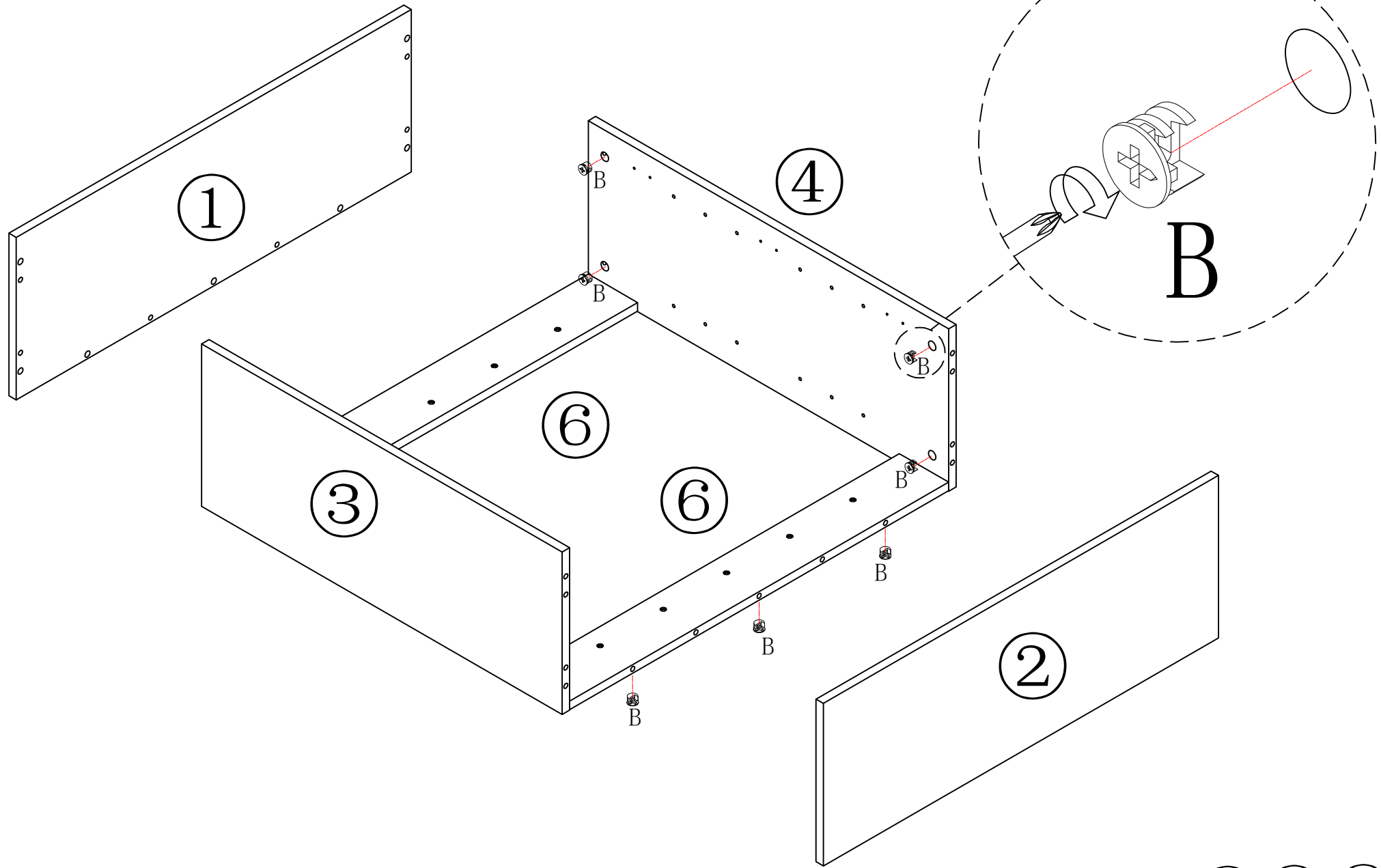
Make sure the arrow on the screw align to the hole on the side



B\*4

put B on board 6

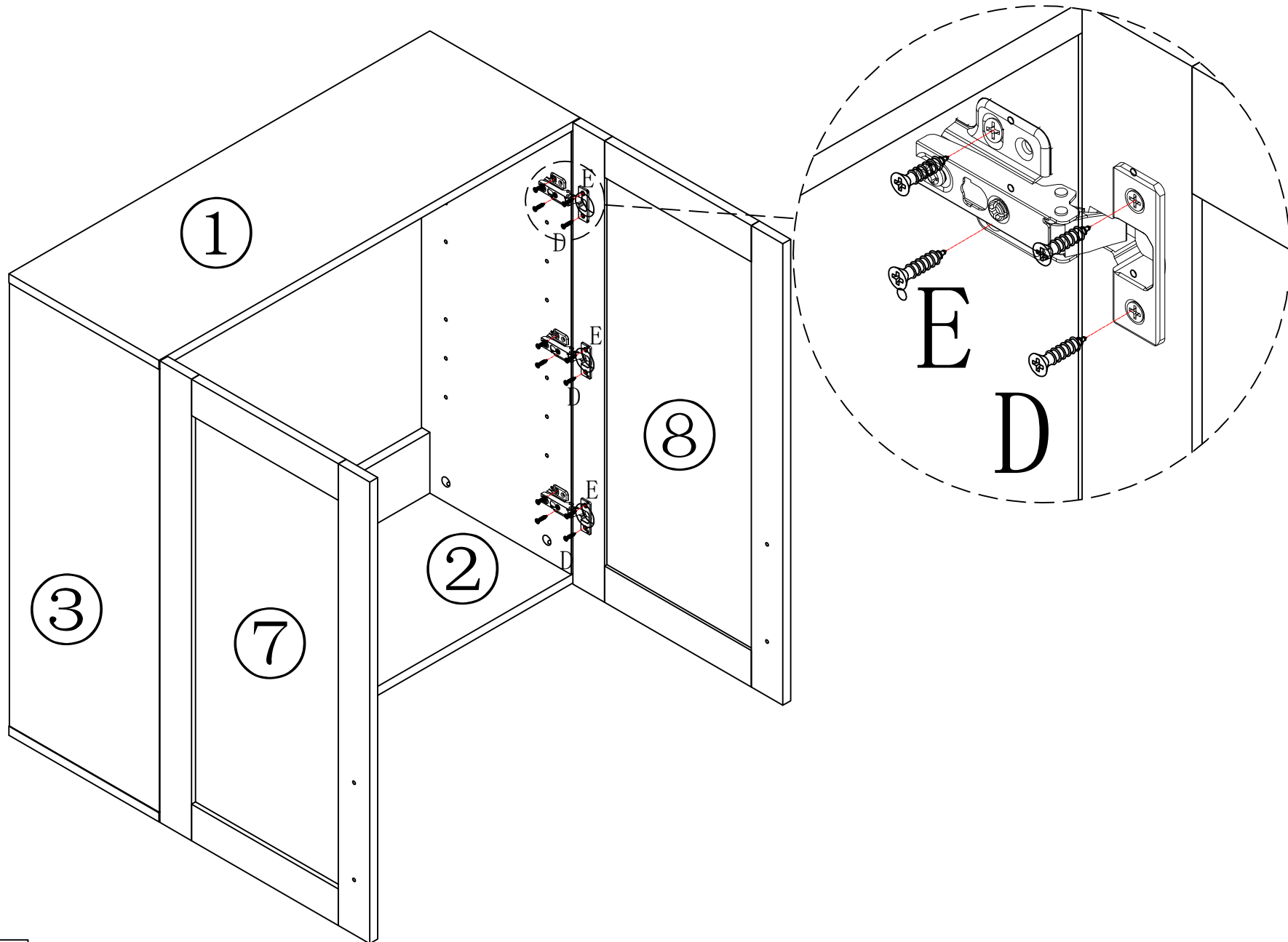
④



 B\*14

put B on board ③ ④ ⑥

5

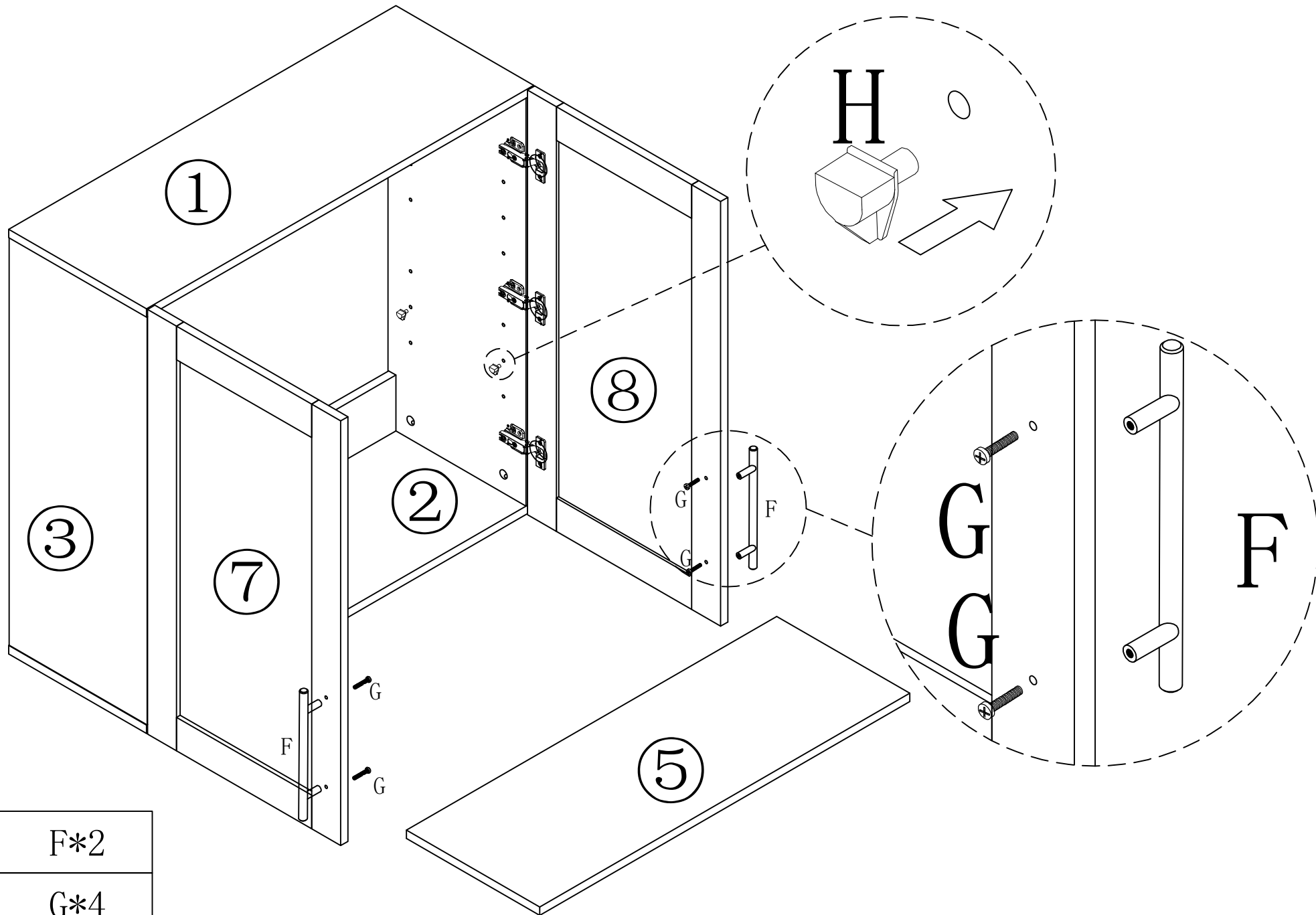


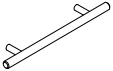


D\*24



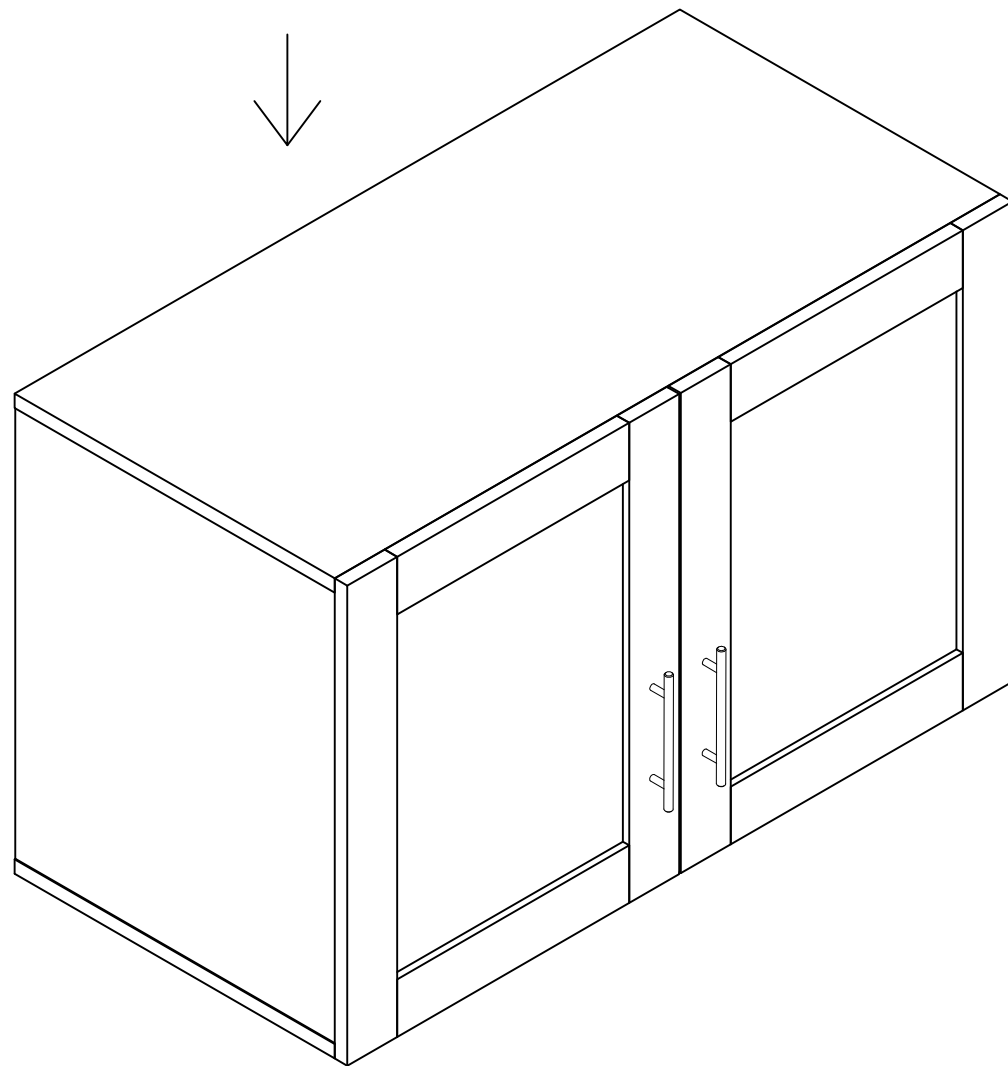
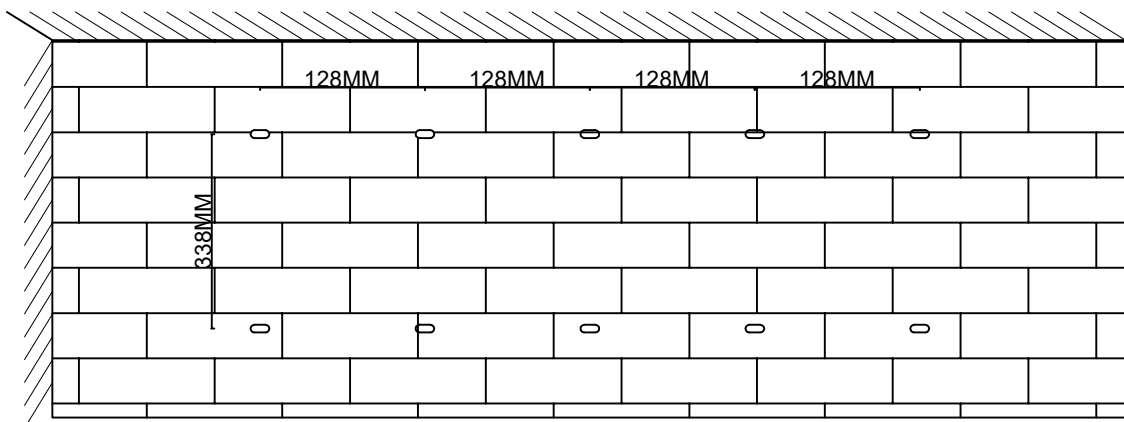
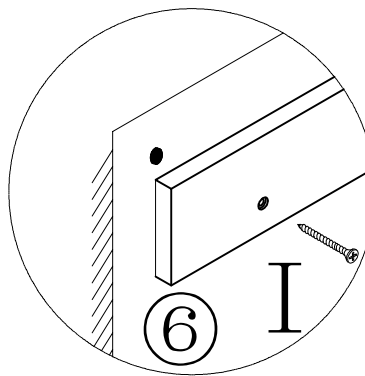
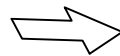
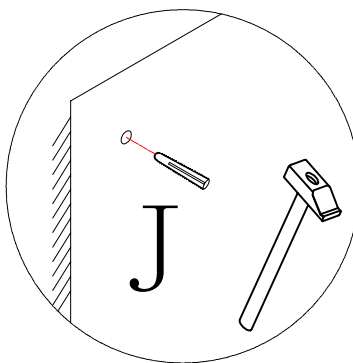
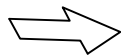
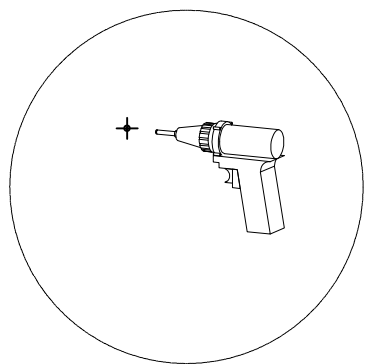
E\*6

6

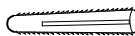


	F*2
	G*4
	H*4

7

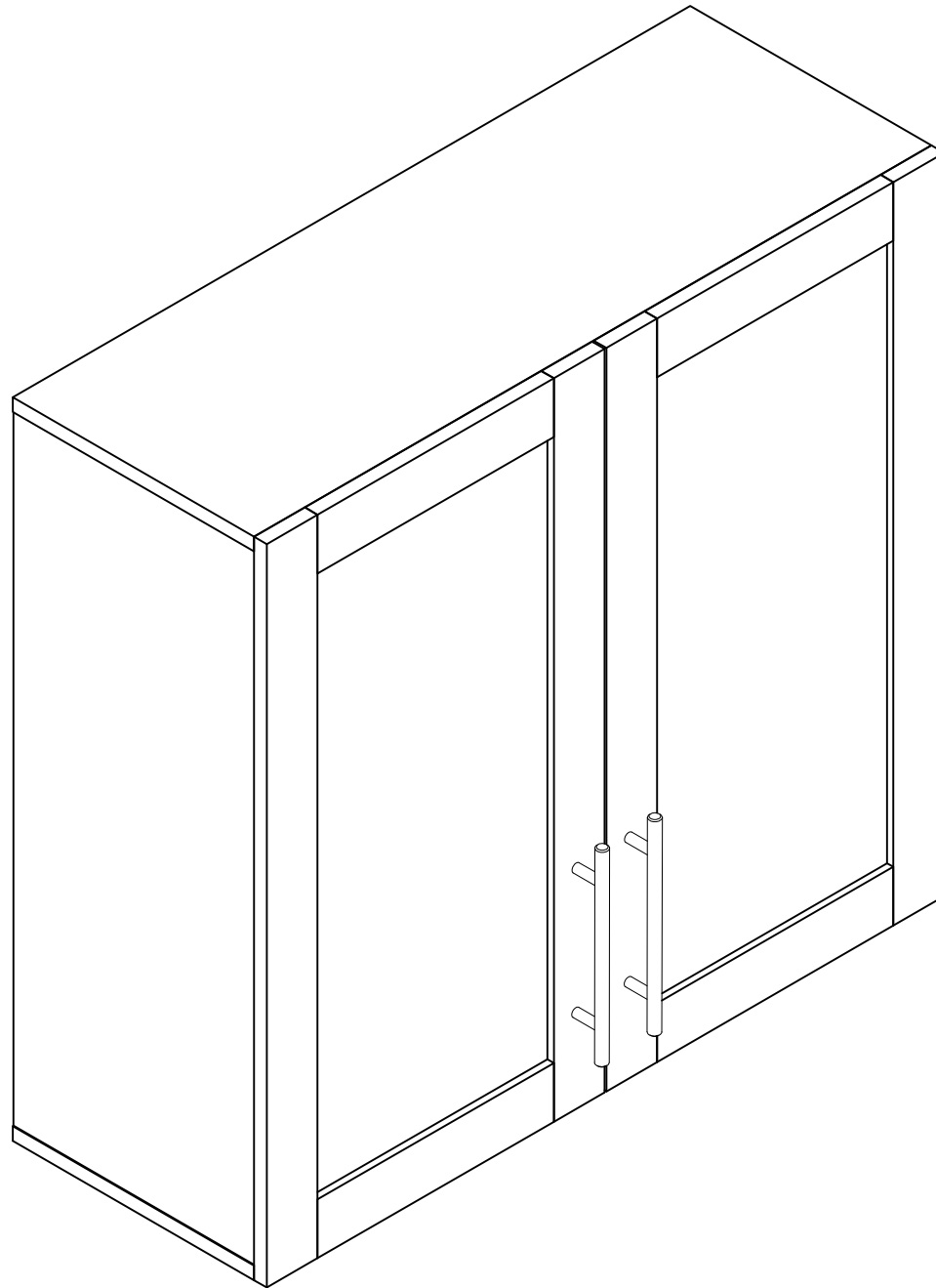


I\*10



J\*10

8



END