

Assembly instructions



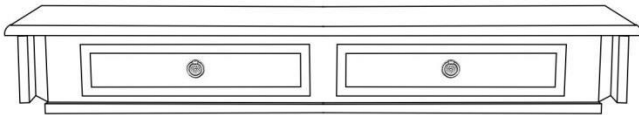
Include:

8 pcs	8 pcs	1 pcs



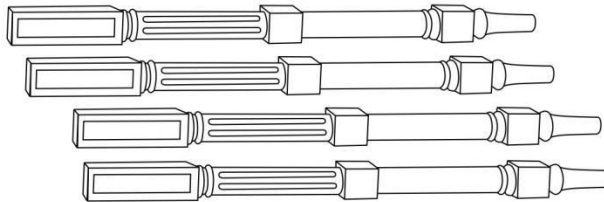
Component List:

A. Table Top



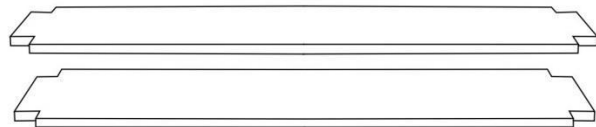
A = (1 pcs)

B. Legs



B = (4 pcs)

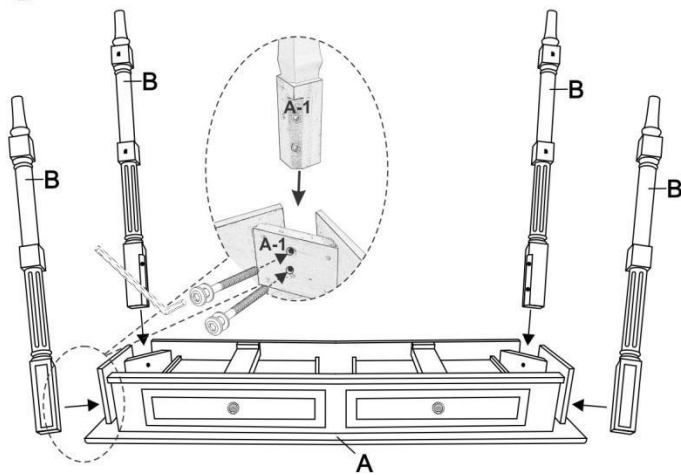
C. Shelf



C = (2 pcs)

Assembly:

①



②

