
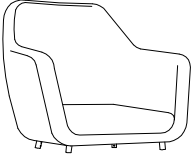


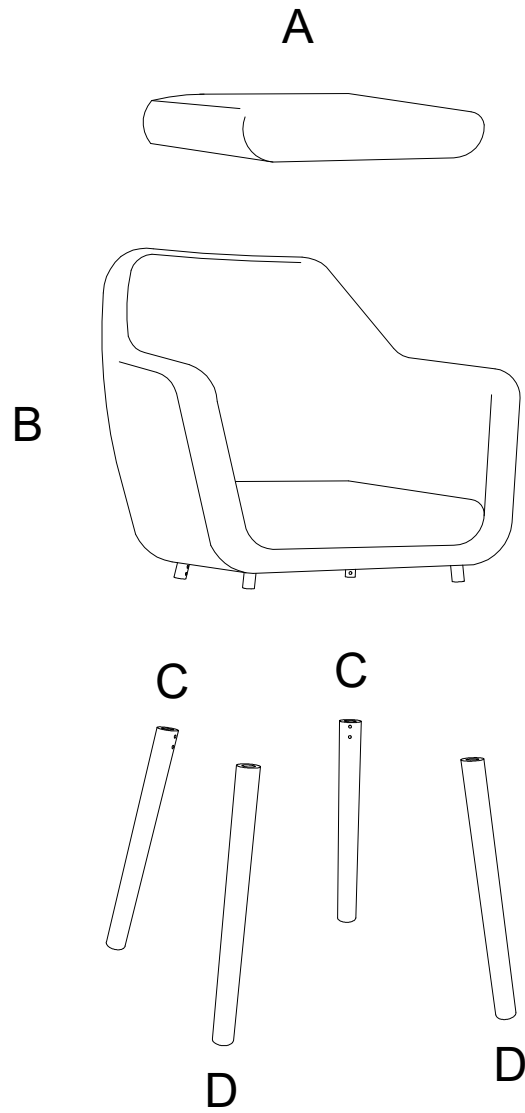
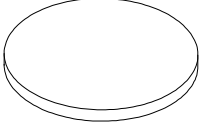
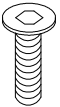
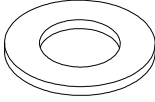



20'

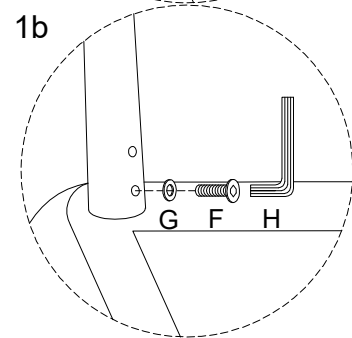
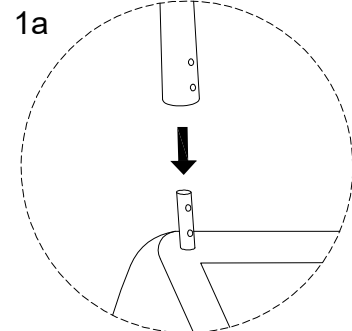
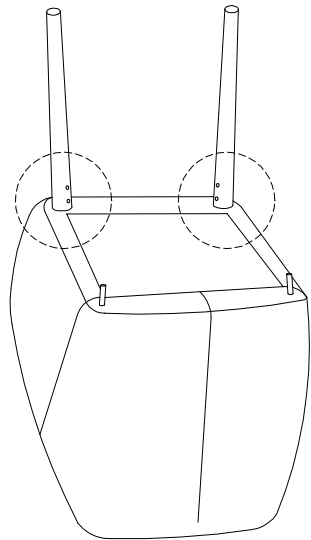
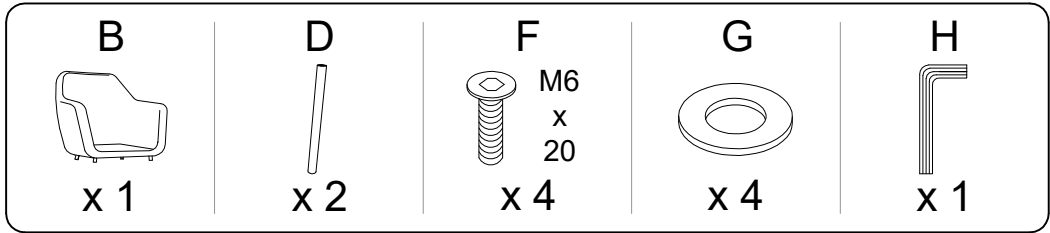
1

<p>A</p>  <p>x 1</p>	<p>B</p>  <p>x 1</p>	<p>C</p>  <p>x 2</p>	<p>D</p>  <p>x 2</p>
---	---	---	---

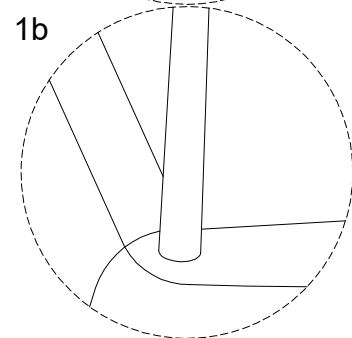
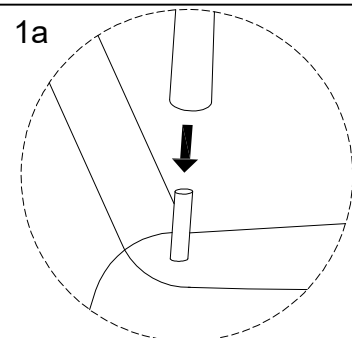
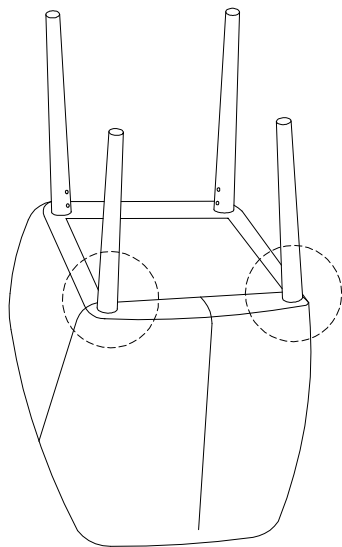
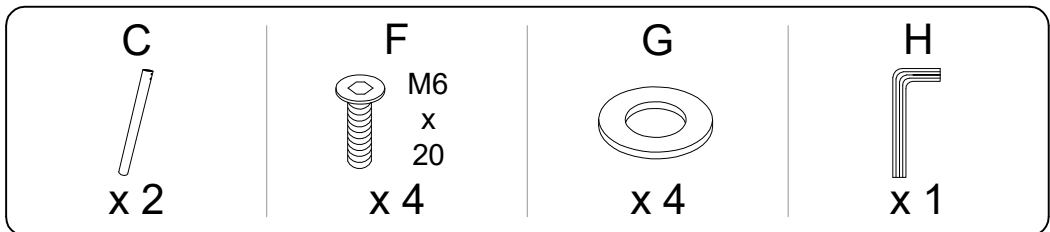


<p>E</p>  <p>x 4</p>	<p>F</p>  <p>M6 x 20</p> <p>x 8</p>	<p>G</p>  <p>x 8</p>	<p>H</p>  <p>x 1</p>
---	--	--	---

1

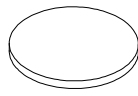


2

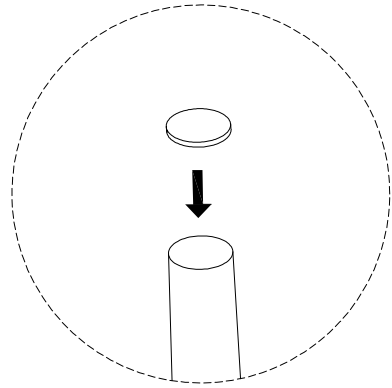
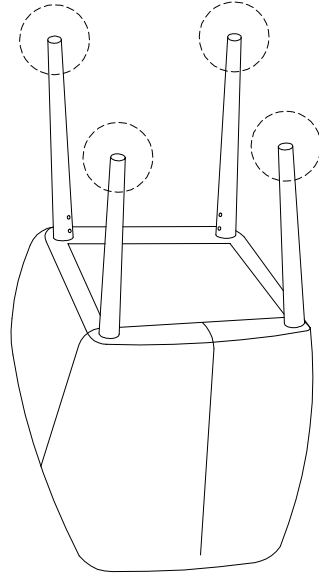


3

E



x 4



4

A



x 1

