



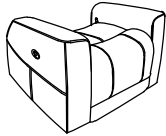

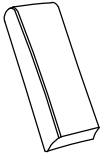
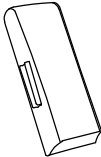
# Assembly Instruction

## RECLINING CHAIR



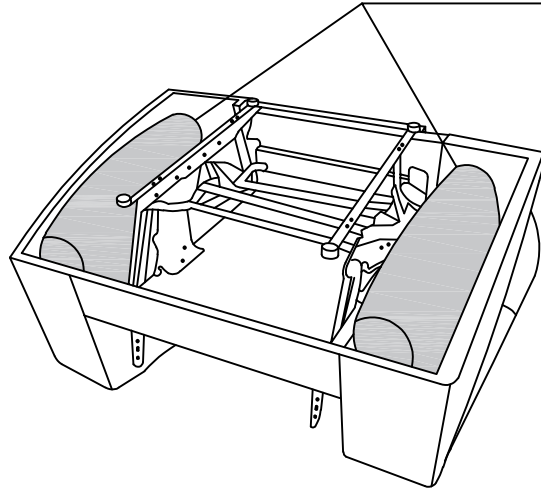
Note: Do not use power tools for assembly. Power tools increase the risk of over tightening which lead to splitting or cracking the wood.

### Component list

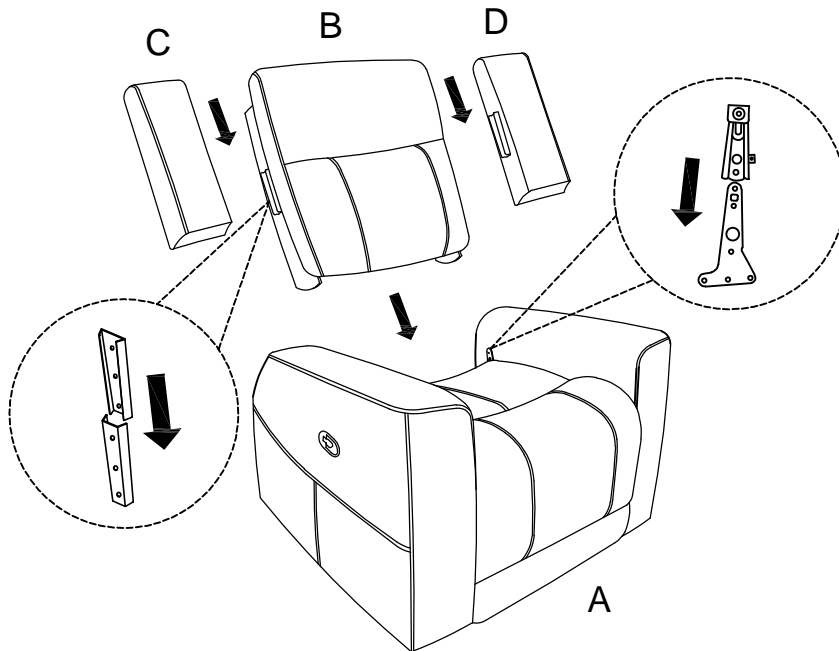
No	Drawing	Qty	Description
<b>A</b>		<b>1</b>	<b>SEAT</b>
<b>B</b>		<b>1</b>	<b>BACK REST</b>
<b>C</b>		<b>1</b>	<b>LSF EAR</b>
<b>D</b>		<b>1</b>	<b>RSF EAR</b>

Step #1

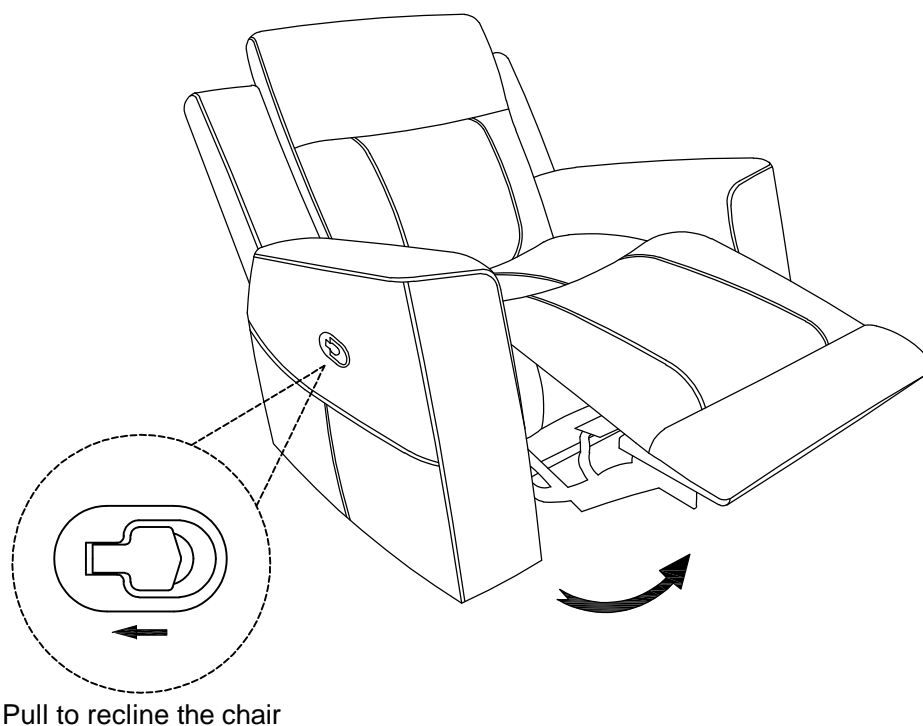
**EARS ARE STORED  
UNDER METAL FRAME**



Step #2



### Step #3



## Care Instruction for Textured Microfiber Furniture:

In order to maintain the original appearance of your Textured Microfiber Furniture, please follow below simple care procedures:

- Avoid exposing furniture directly to sunlight or heating and air conditioning outlets. Sunlight and or exposure to heating and air conditioning outlets will fade/damage Textured Microfiber.
- Vacuum or wipe with a soft cloth to remove dust.
- Hardware may loosen over time. Periodically check to make sure all connection are tight, Re-tighten if necessary.



For items use on wooden floor, hard surfaces or carpets, it is recommended to Install protective pads under all legs and supports to avoid/prevent from damages/scratches and discoloration.