

No matter what problems or questions you encounter during the installation or use of the chandelier, please feel free to contact us, we will reply you within 24 hours and quickly solve or answer for you!

When you leave message to us online, please leave your order ID and case details, The more detailed and accurate your description, the faster and more accurate we will provide you with solutions or answers!



SAFETY INSTRUCTIONS

These instructions are provided for your safety. It is very important that you read them completely before you begin installing the unit.

1. We recommend installation by a licensed electrician.
2. The fixture requires LED (included in the product). To avoid the risk of fire, do not exceed the recommended wattage.
3. If this fixture uses any special controls, follow the instructions carefully to ensure full compliance with the N.E.C. What is required if any If there is a problem, contact a qualified electrical contractor.

Always turn off the mains supply before installing, replacing bulbs or cleaning the fixture.



WARNINGS

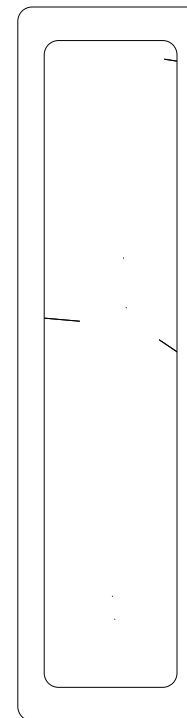
THIS IS NOT A TOY AND THE PRODUCT HAS NO PLAY VALUE.
Keep at least 3 ft away from cribs, bassinets, and toddler beds.
Keep out of reach of children under 3.



PREPARATION

1. Please prepare the accessories sent to you in advance.
2. Please keep the installation place clean and tidy so as not to miss the small accessories.

INSTALLATION MANUAL

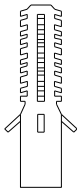

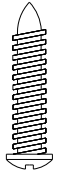
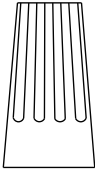

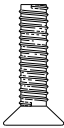
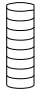



This manual only shows the installation steps for one size, and the installation methods for other sizes of products are similar.

Now, let's complete this light together.
Be patient.....

and fully utilize your artistic talentt.....

What awaits you after completion is incredible beauty!

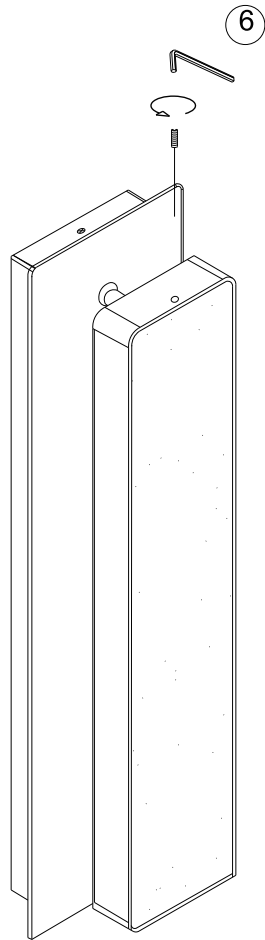
parts list	
A* 4 	B* 1 
C* 4 	D* 3 
E* 1 	F* 2 
G* 2 	H* 1 

Please note:

Please check the parts list, if the parts are missing during your actual installation, please contact us, we will help you in time!

STEP IV Hanging Pendants

Step 4



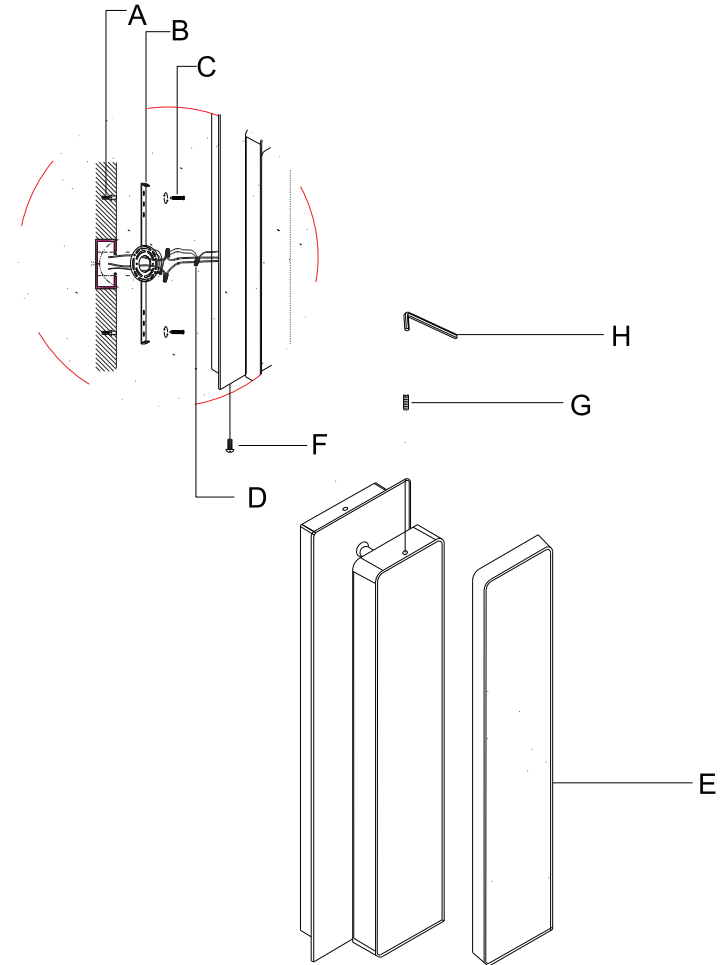
FAQ

Q: What do I need to pay attention to when installing Spanish marble?

A: Since Spanish marble is fragile, we just need to place the light body of Spanish marble light matching gently on the hanging plate, the screws need to be tightened to prevent falling off.

STEP I Unpacking

Open the box, and take out all the accessories, you will get the following items.

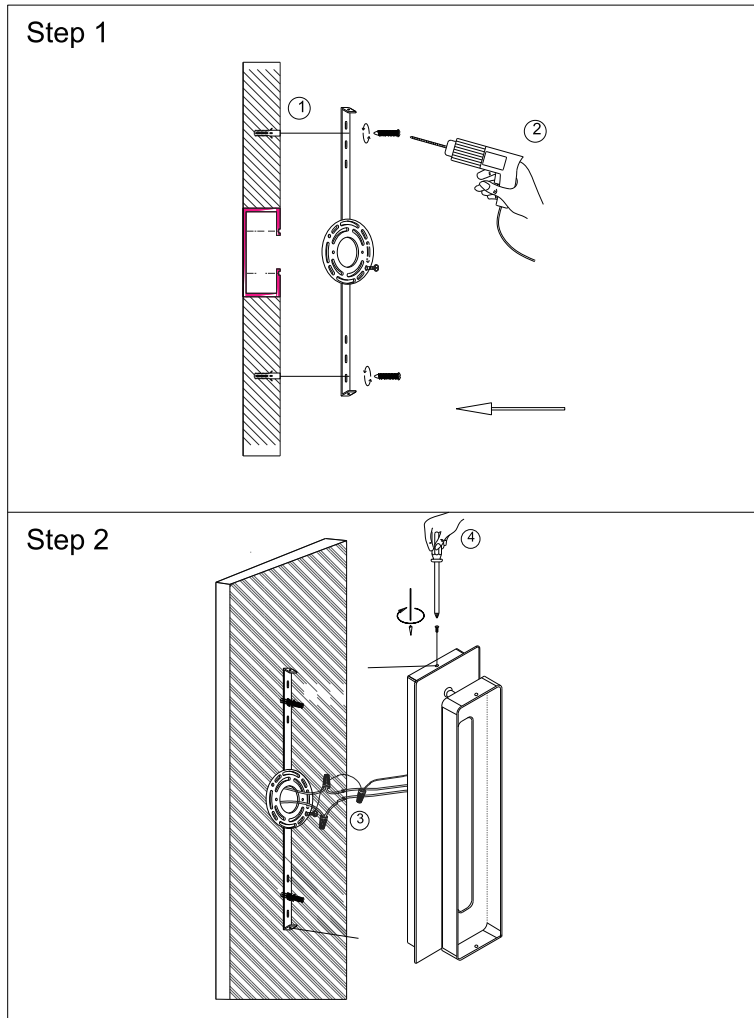


FAQ

Q: When I open the box, I find that the glass fittings are broken, what should I do?

A: As the Spanish marble lampshade fittings are natural Spanish marble, which is inherently fragile, we have taken this into account. We have made reinforced packaging inside each box, which is enough for your installation. If any of the Spanish marble fittings are broken, please contact us promptly and we will send you new Spanish marble fittings.

STEP II Branch Adjustment

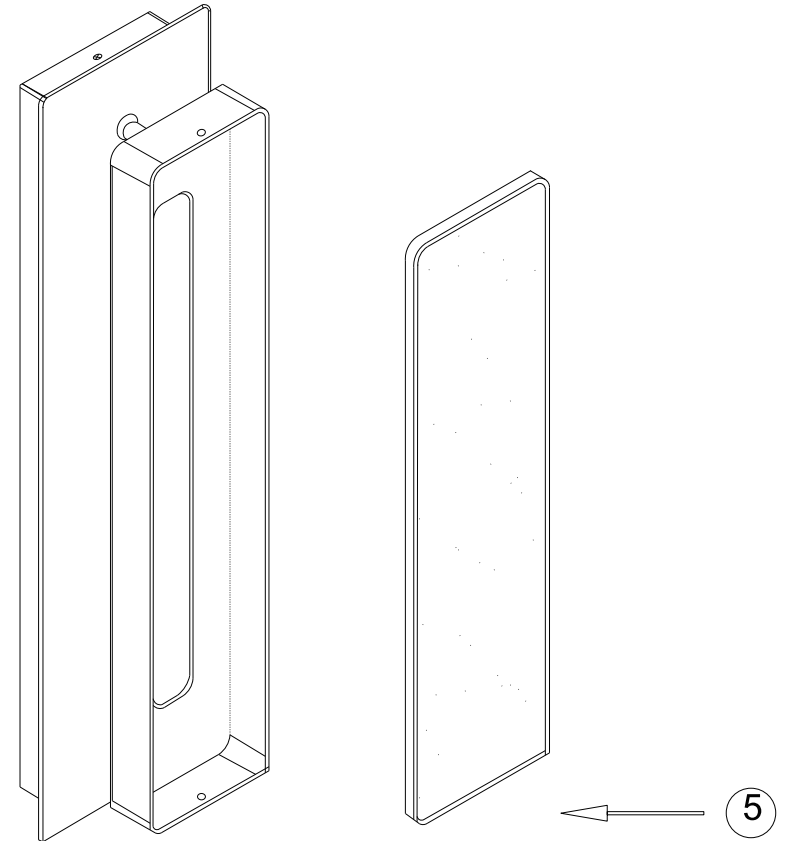


FAQ

Q: How do I differentiate between N/L wiring and a ground wire?

A: We have already distinguished between the N/L markings on the wires and the brass wire on the mounting bracket is the ground wire.

STEP III Wiring and Mounting



FAQ

Q: What do I need to pay attention to when installing Spanish Marble?

A: Since Spanish marble is fragile, we just need to gently place the Spanish marble lamp with the body into the hardware frame to avoid scratching the Spanish marble pieces.