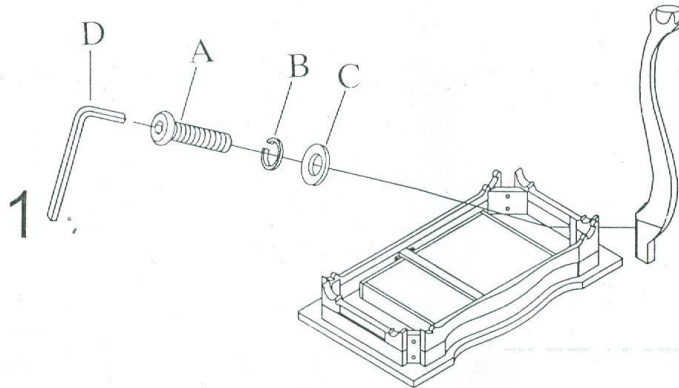
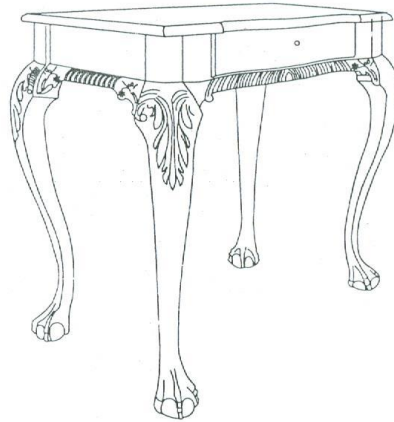


Assembly Instructions

PACKAGED

- (A) 8- Bolt $\text{Ø}5/16" \times 2"$
- (B) 8- Lock Washer $\text{Ø}5/16"$
- (C) 8- Flat Washer $\text{Ø}5/16" \times \text{Dia}16\text{mm}$
- (D) 1- Allen Wrench $\text{Ø}5/16"$



(*Caution:DO NOT OVERTIGHTEN

In any correspondence regarding this product, please include the complete identification number located on the underside of the product.

We hope this Writing Desk will be a useful and decorative addition to your home for years to come.