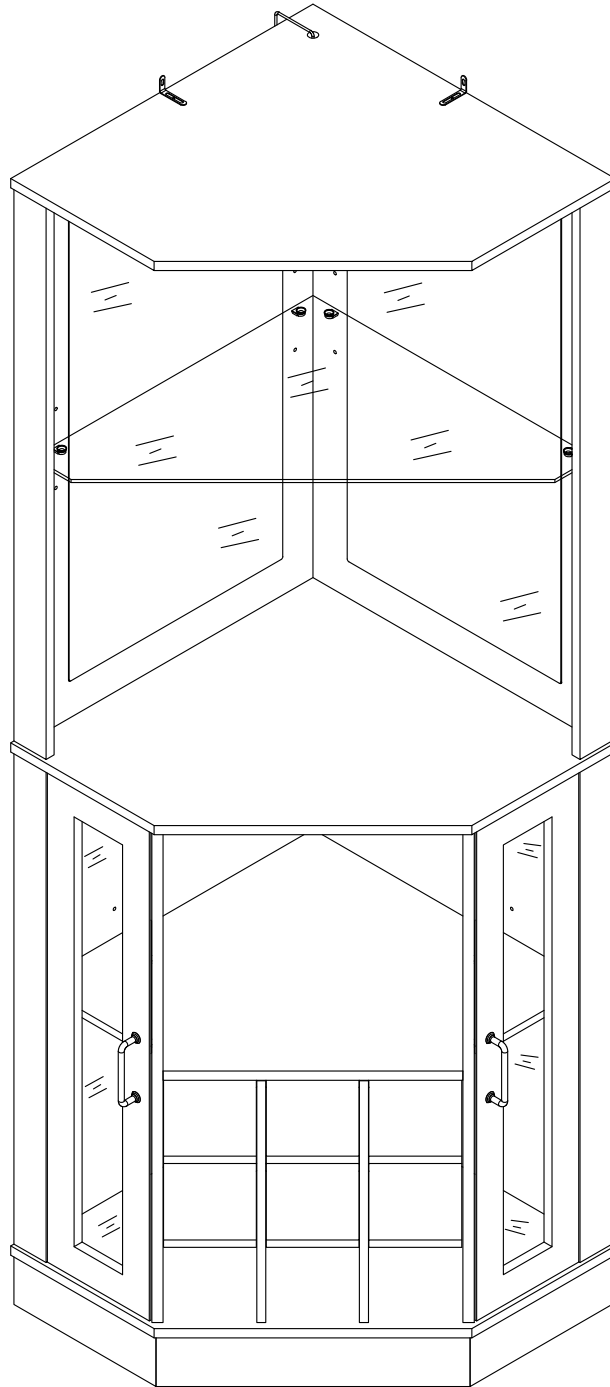


# ASSEMBLY INSTRUCTION

---



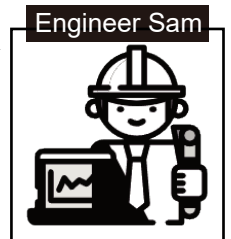
Scan for  
Assembly Video Instruction

# Note

---

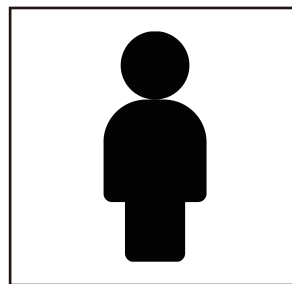
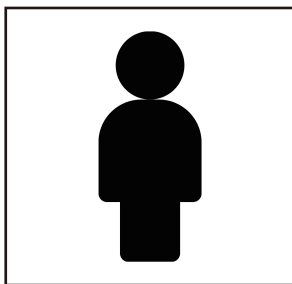
In order to enhance product durability, extend its lifespan, improve your user experience, and save time, we provide the following suggestions to assist you with the assembly process:

1. Please follow the installation steps to avoid unnecessary effort or assembly failures.
2. We suggest checking all screws every six months to ensure they are secure. If any screws are loose or if there are signs of rust, severe deformation, or wear, please tighten or replace the components promptly to maintain product performance and extend its lifespan.



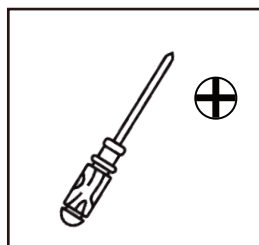
---

## Person Recommended

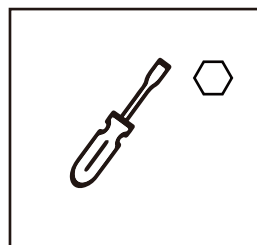


---

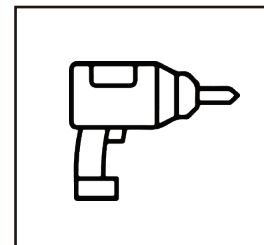
## Tools Recommended



Phillips screwdriver



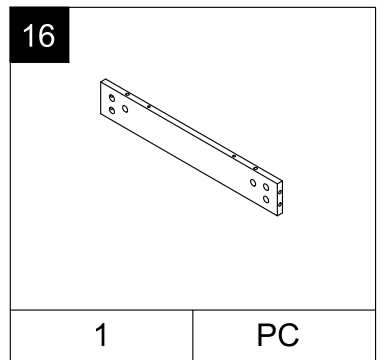
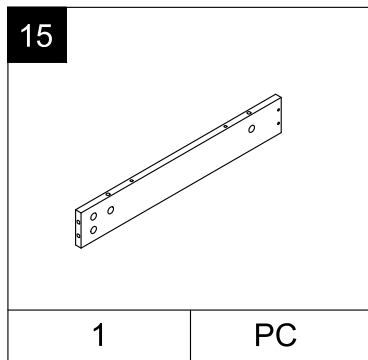
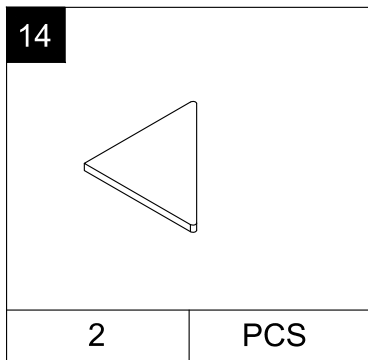
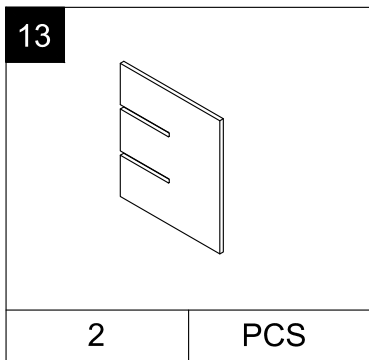
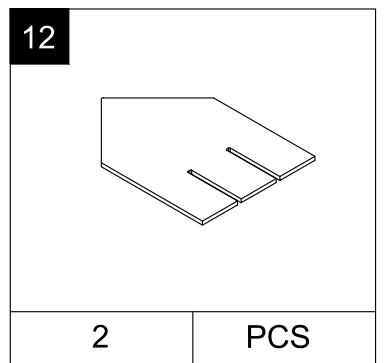
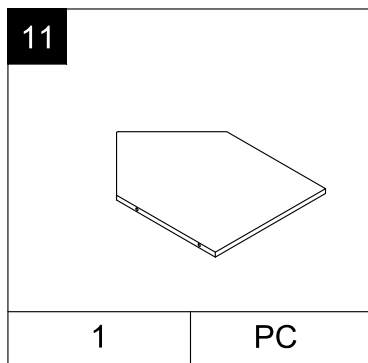
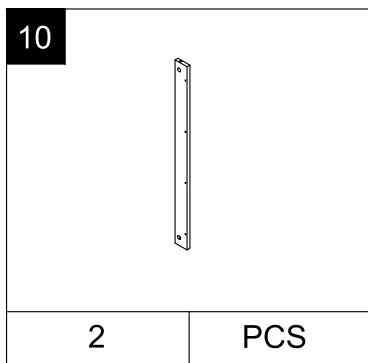
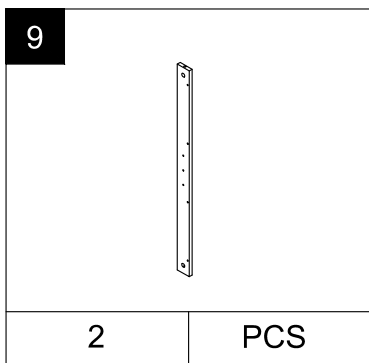
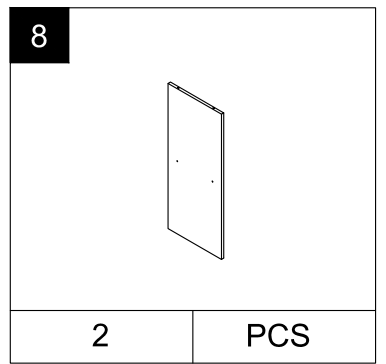
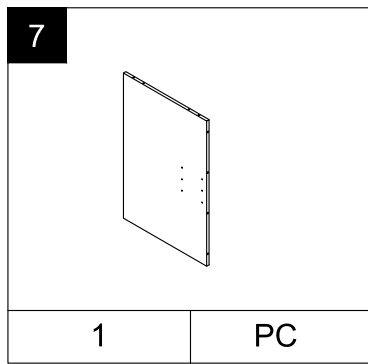
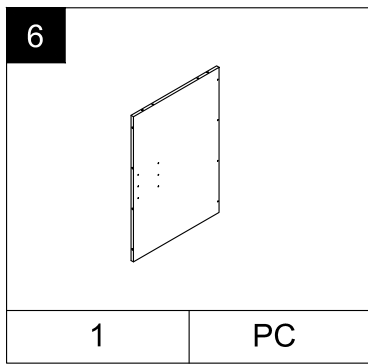
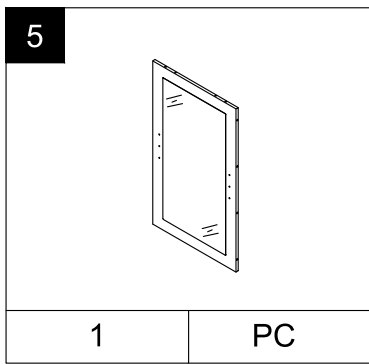
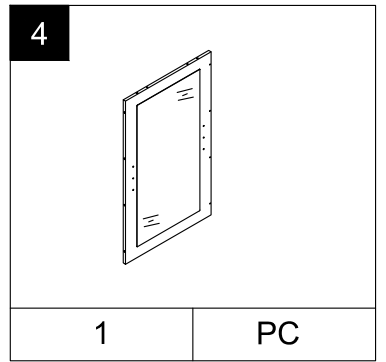
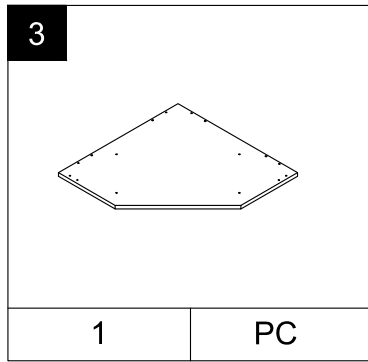
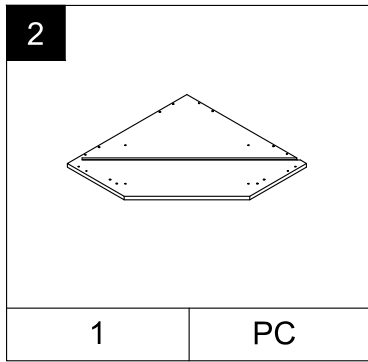
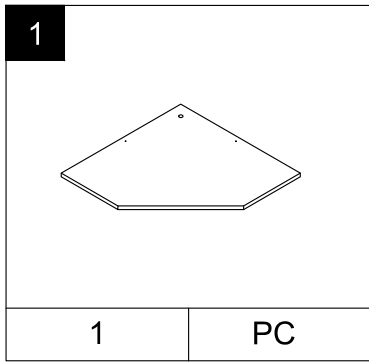
Hex bit socket screwdriver



Electric drill

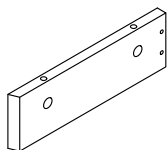
---

# PARTS



# PARTS

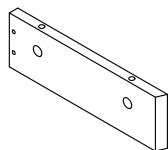
17



1

PC

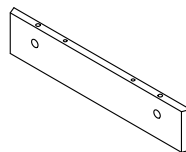
18



1

PC

19



1

PC

20



1

PC

21



1

PC





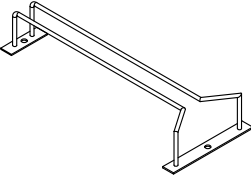
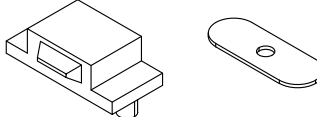
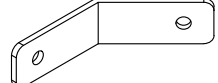
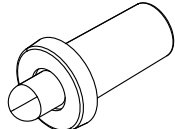

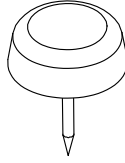
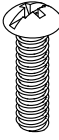
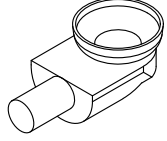
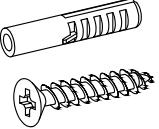
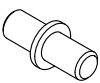

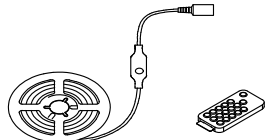
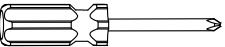
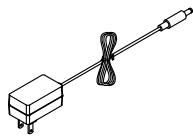
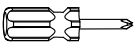
22



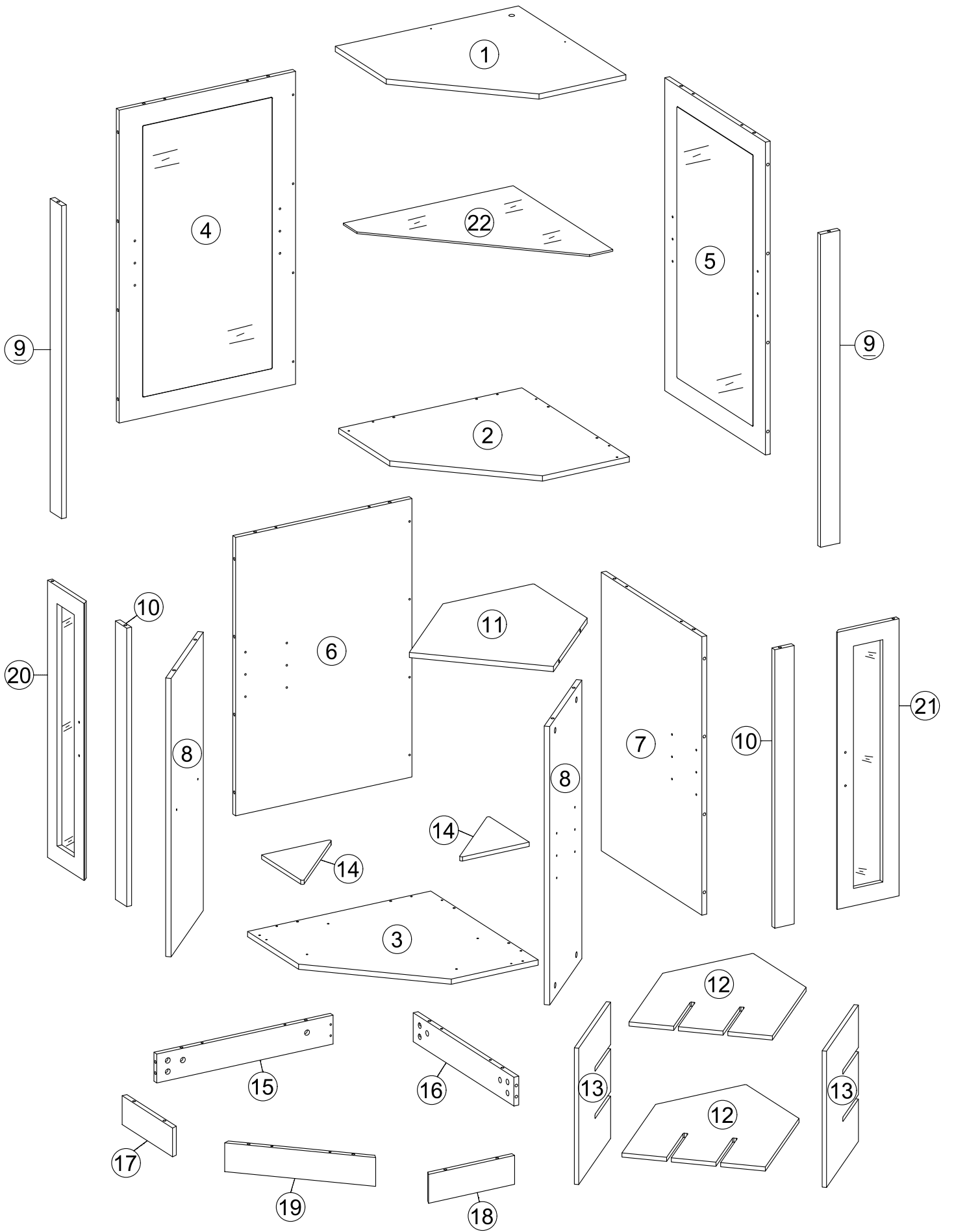
1

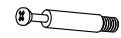
PC

# PARTS

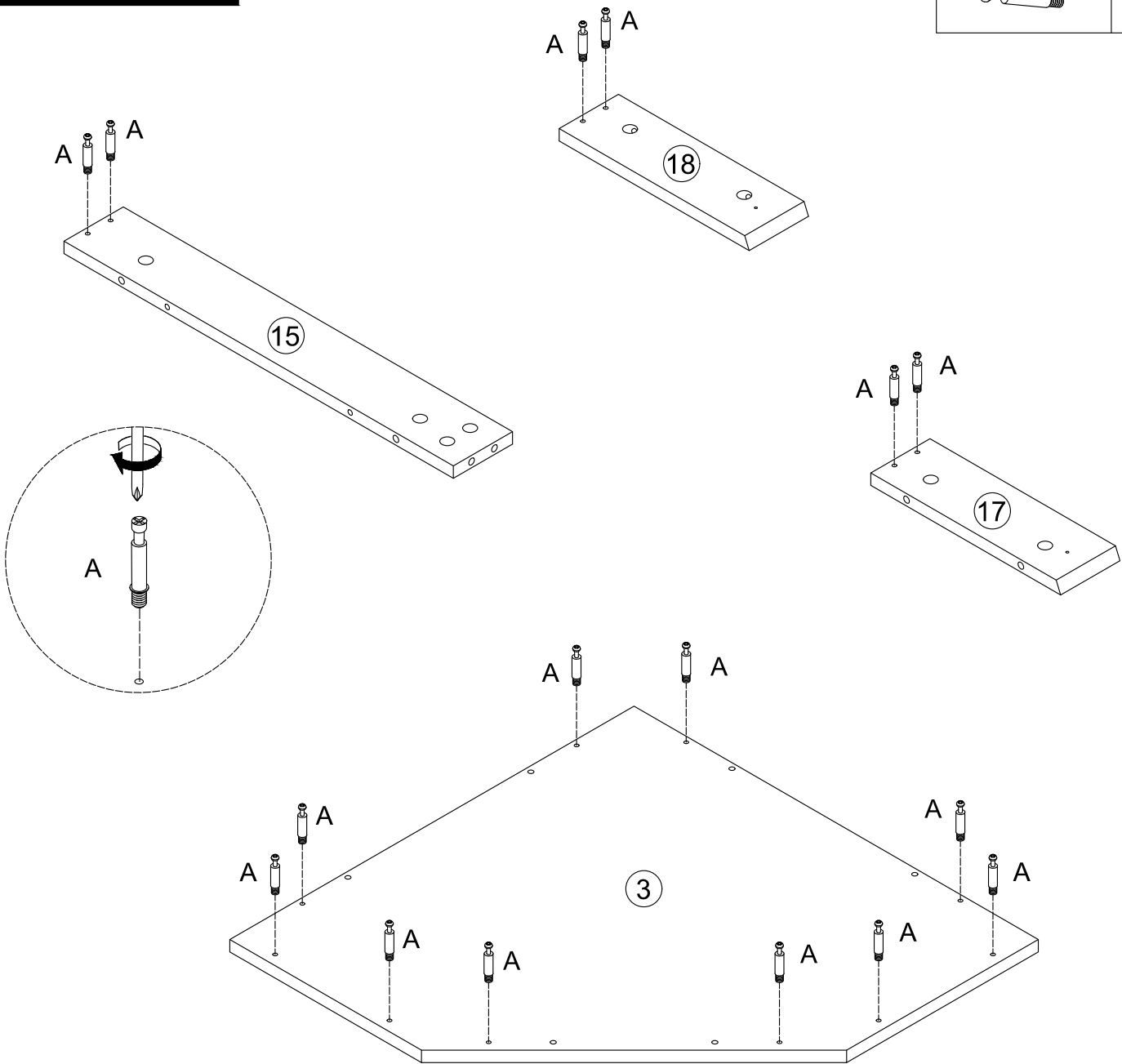
<p><b>A</b></p>  <p>76      PCS</p>	<p><b>B</b></p>  <p>Ø15</p> <p>76      PCS</p>	<p><b>C</b></p>  <p>Ø6×30</p> <p>22      PCS</p>	<p><b>D</b></p>  <p>M3.5×14</p> <p>12      PCS</p>
<p><b>E</b></p>  <p>2      PCS</p>	<p><b>F</b></p>  <p>2      PCS</p>	<p><b>G</b></p>  <p>2      PCS</p>	<p><b>H</b></p>  <p>4      PCS</p>
<p><b>I</b></p>  <p>2      PCS</p>	<p><b>J</b></p>  <p>8      PCS</p>	<p><b>K</b></p>  <p>4      PCS</p>	<p><b>L</b></p>  <p>6      PCS</p>
<p><b>M</b></p>  <p>2      PCS</p>	<p><b>N</b></p>  <p>8      PCS</p>	<p><b>O</b></p>  <p>2      PCS</p>	<p><b>P</b></p>  <p>1      PC</p>
<p><b>Q</b></p>  <p>1      PC</p>	<p><b>R</b></p>  <p>1      PC</p>	<p><b>S</b></p>  <p>1      PC</p>	

# PARTS





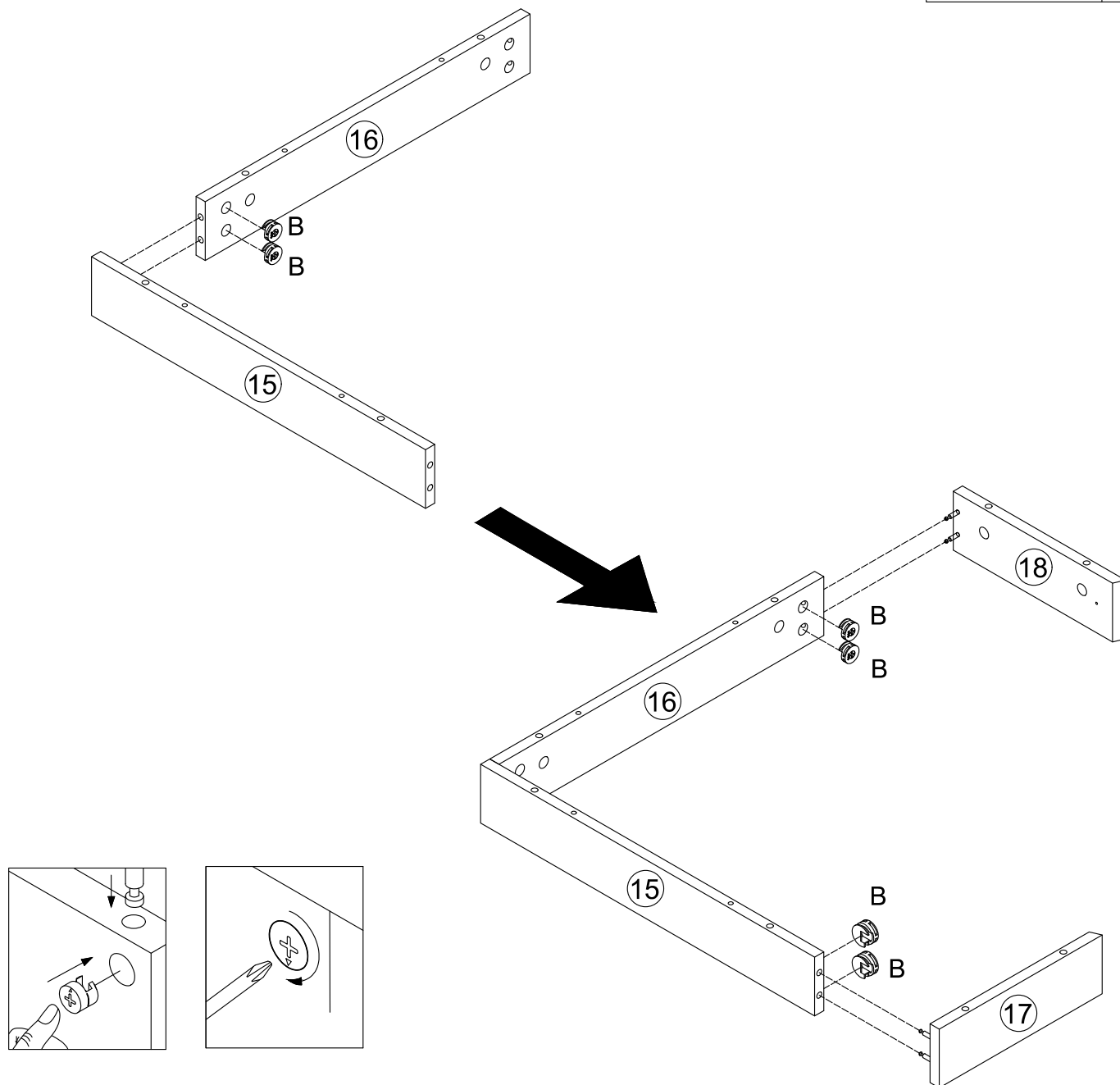
A×16





Note:	Install cabinet base			
Required Parts:	1 × Panel No.3	1 × Panel No.15	1 × Panel No.17	1 × Panel No.18
Required Hardware:	16 × Connecting bolts A			
Description:	Screw the connecting bolts A into panels 3, 15, 17, and 18.			
Notice:	Screw the connecting bolts A vertically into the holes. The smaller holes are for connecting bolts A; the larger holes are for wooden plugs.			

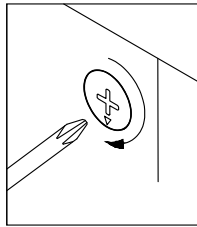
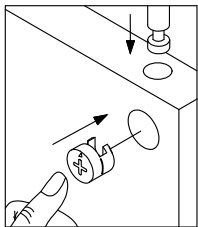
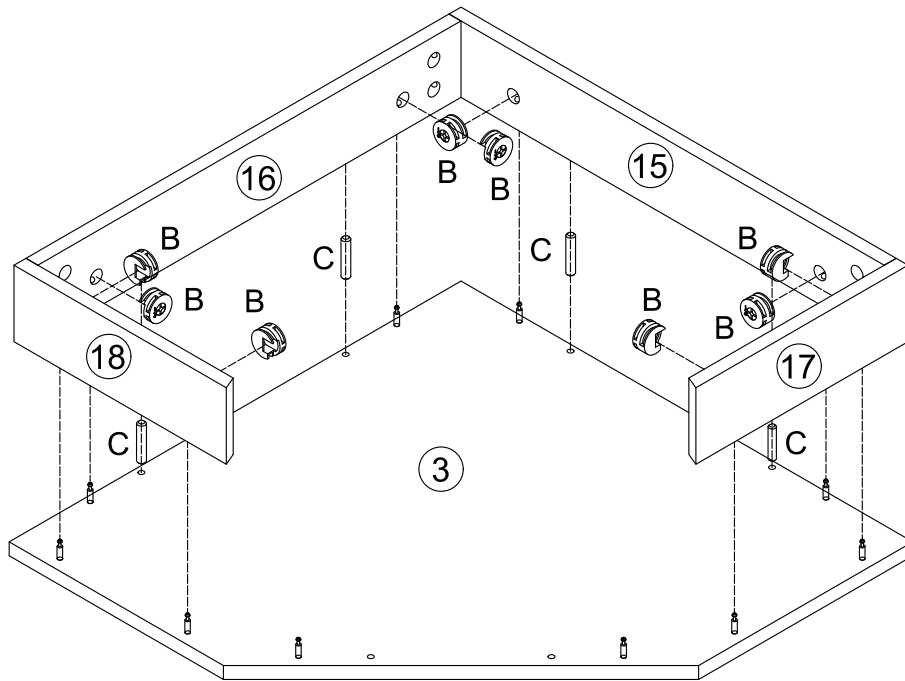


B×6


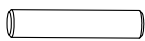


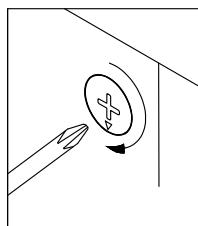
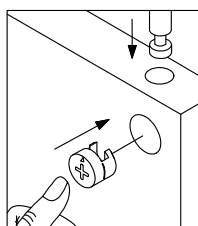
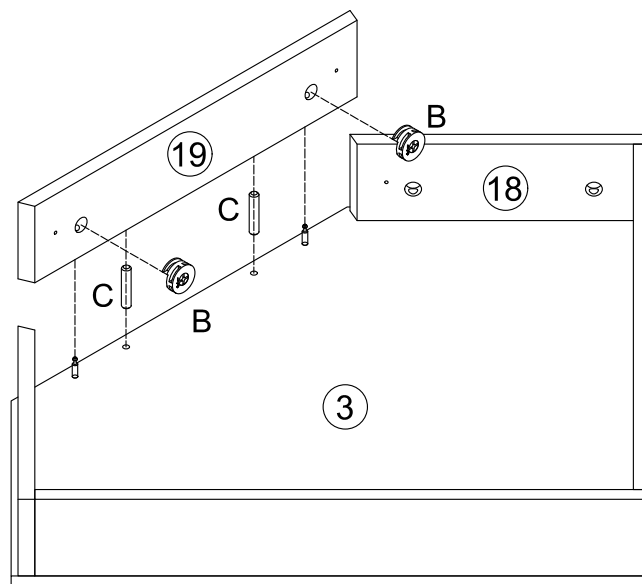
Note:	Install cabinet base			
Required Parts:	1 × Panel No.16			
Required Hardware:	6 × Connector housings B			
Description:	Insert the connector housings B into the pre-drilled holes on panels 15, 16, and 18, then tighten them by turning clockwise.			
Notice:				

	B×8
	C×4



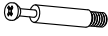

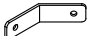
Note:	Install cabinet base			
Required Parts:	1 × Panel No.3			
Required Hardware:	8 × Connector housings B	4 × Wooden plugs C		
Description:	First, insert Wooden Dowel C into the holes on panels 15 and 16, and connect them to panel 3. Then insert Connector Shell B into the holes on panels 15, 16, 17, and 18, and tighten by turning clockwise.			
Notice:	When carrying out this step, please make sure panel 3 is oriented in the correct direction.			

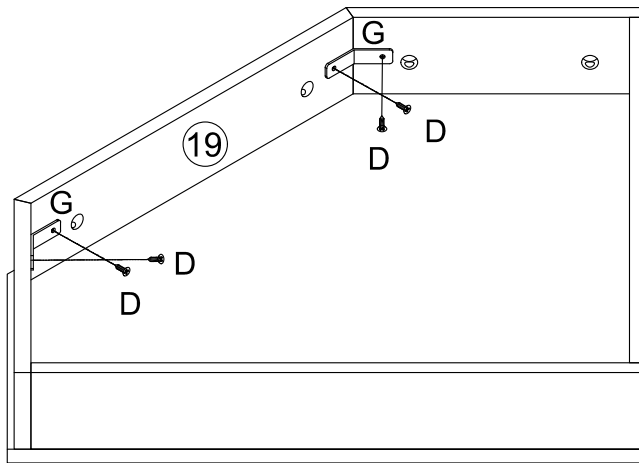
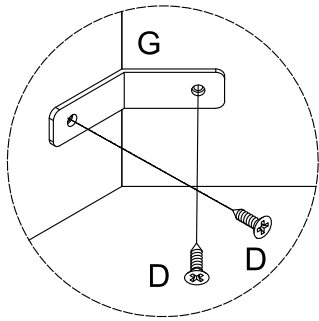
	B×2
	C×2



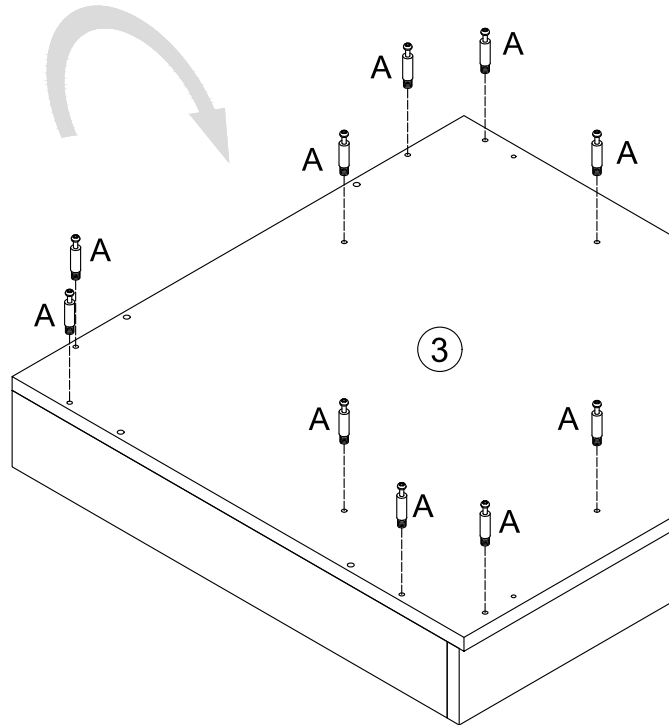
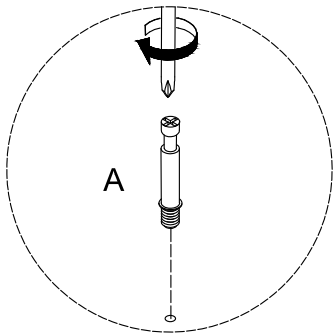
Note:	Install cabinet bases			
Required Parts:	1 × Panel No. 19			
Required Hardware:	2 × Connector housings B	2 × Wooden plugs C		
Description:	First, insert the wooden plugs C into the holes on panel 19 and connect them to panel 3. Then insert connector housings B into the holes on panel 19, and tighten them by turning clockwise.			
Notice:				

step5/step33

	A×10		D×4
			G×2



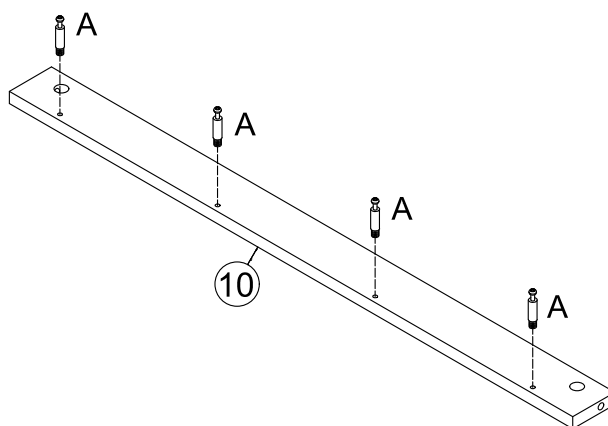
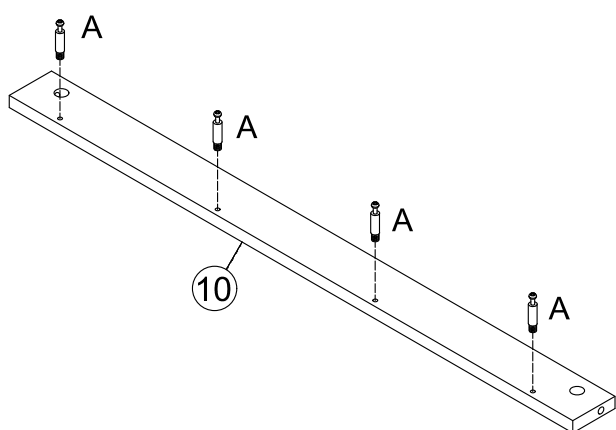
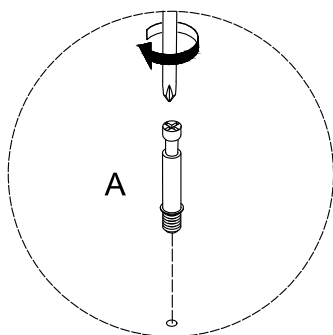
180°



Note:	Install cabinet base			
Required Parts:				
Required Hardware:	10 × Connecting bolts A	4 × Screws D	2 × Angle brackets G	
Description:	Use 4 screws D to secure the two angle brackets G to the corresponding positions on panels 17, 18, and 19. Then flip panel 3 over, and screw the connecting bolts A vertically into the holes.			
Notice:				



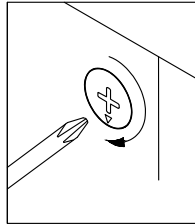
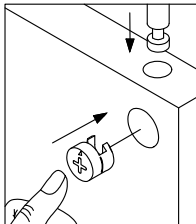
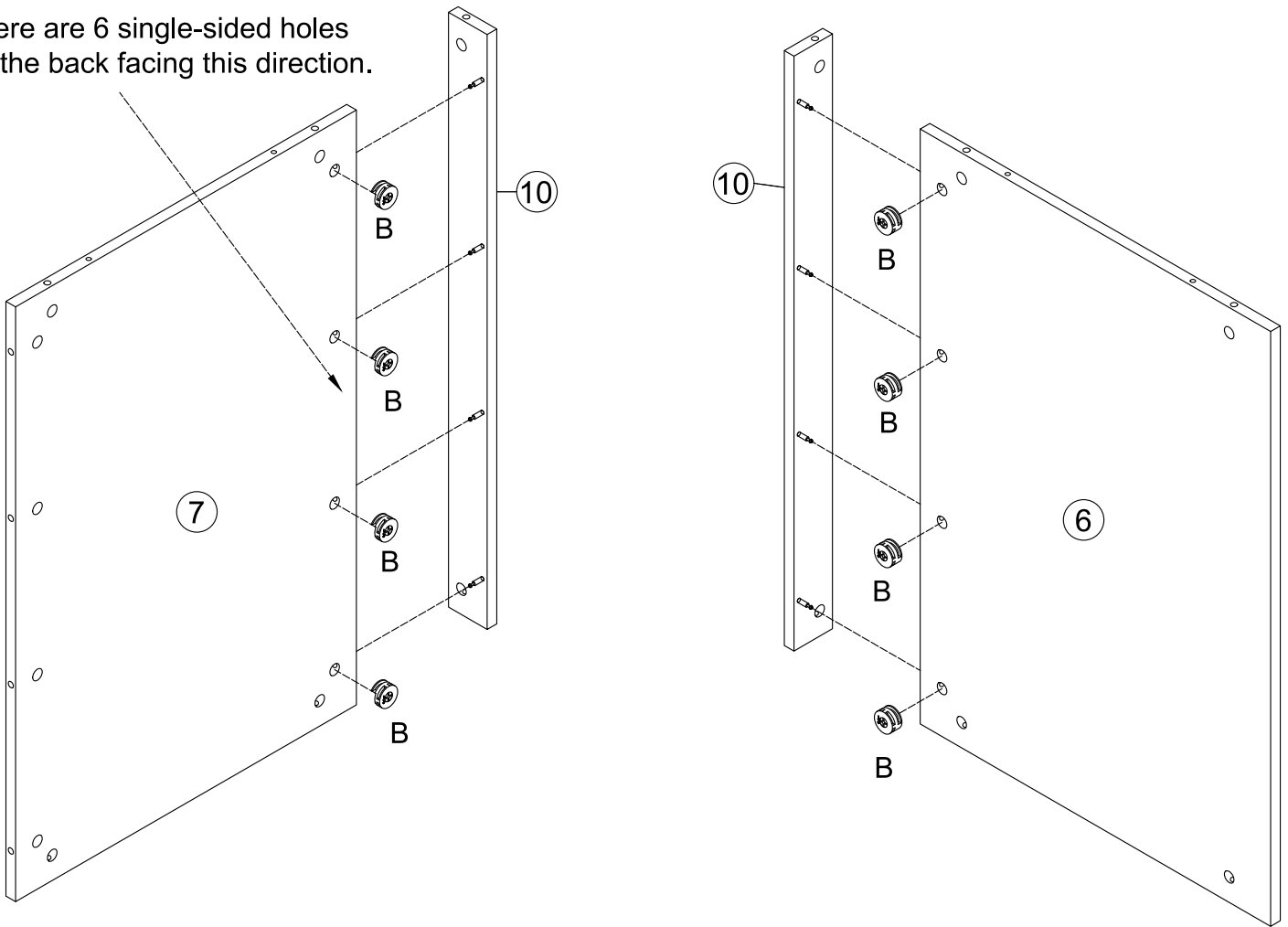
A×8



Note:	Install the lower half of the cabinet.			
Required Parts:	2 × Panel No. 10			
Required Hardware:	8 × Connecting bolts A			
Description:	Screw the connecting bolts A into panel 10.			
Notice:	Screw the connecting bolts A vertically into the holes.			



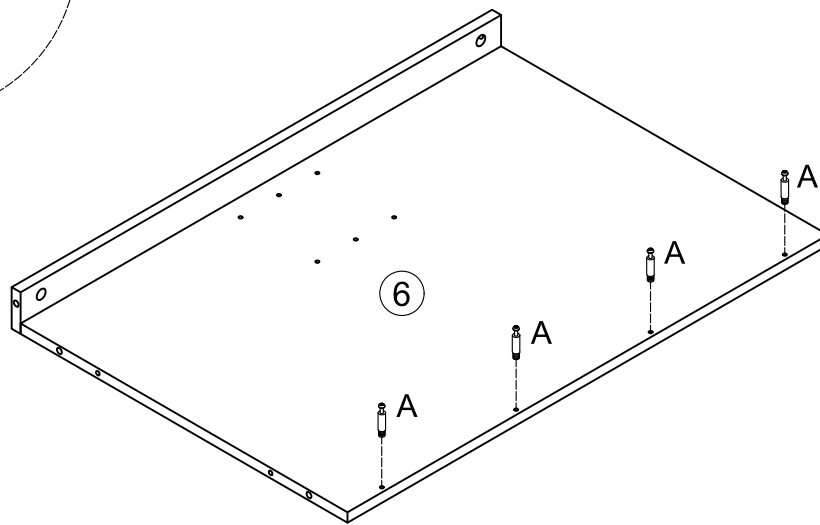
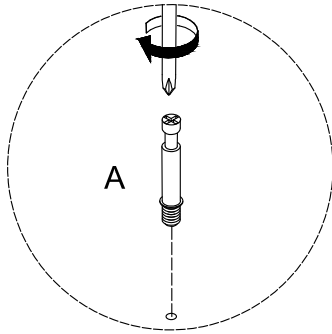
There are 6 single-sided holes on the back facing this direction.



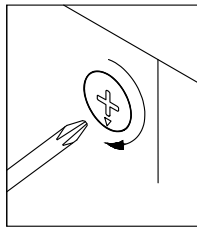
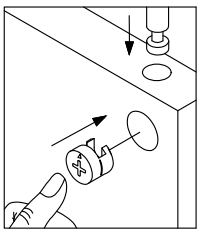
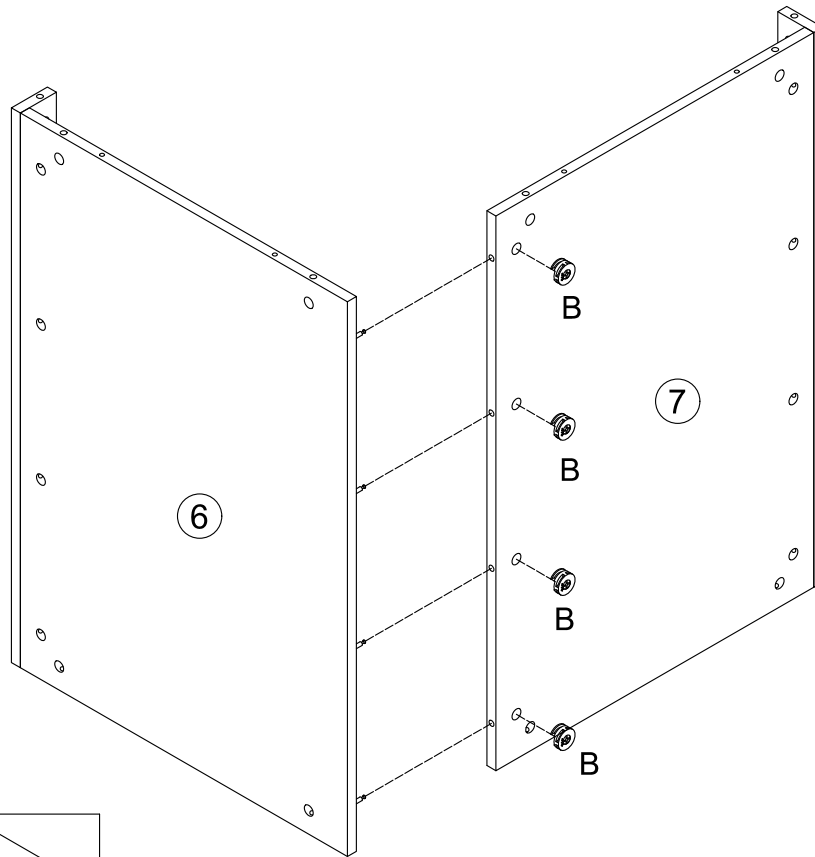
Note:	Install the lower half of the cabinet			
Required Parts:	1 × Panel No. 6	1 × Panel No. 7		
Required Hardware:	8 × Connector housings B			
Description:	Insert the connector housings B into the pre-drilled holes on panels 6 and 7, then tighten them by turning clockwise.			
Notice:	The 7th board has 6 small holes on one side. These holes are closer to the 10th board.			





A×4

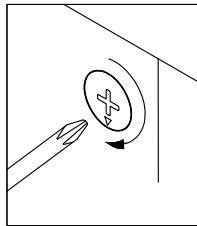
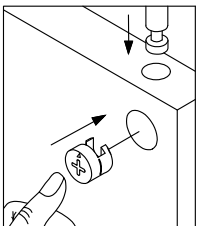
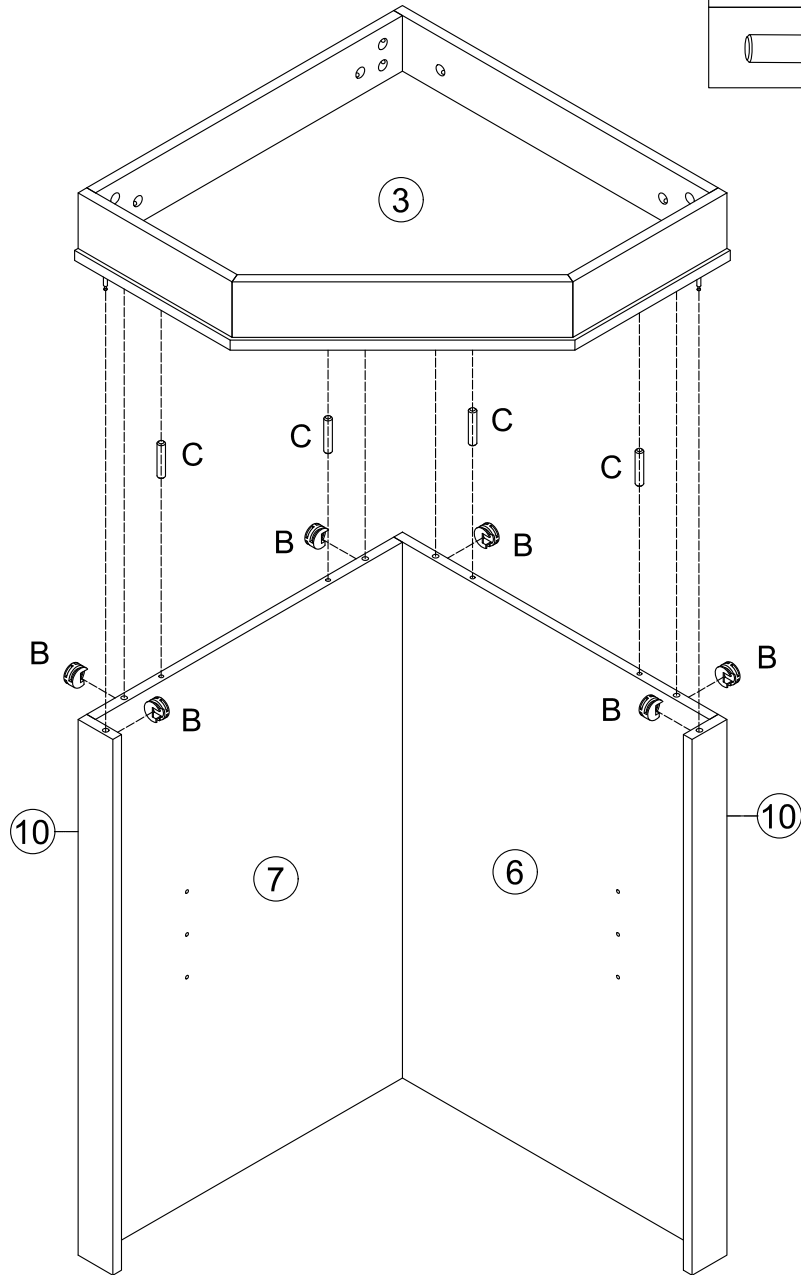


Note:	Install the lower half of the cabinet			
Required Parts:				
Required Hardware:	4 × Connecting bolts A			
Description:	Screw the connecting bolts A into panel 6.			
Notice:	Screw the connecting bolts A vertically into the holes.			

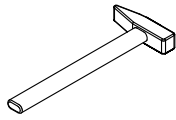


Note:	Install the lower half of the cabinet			
Required Parts:				
Required Hardware:	4 × Connector housings B			
Description:	Insert connector housings B into the pre-drilled holes on panel 7, then tighten them by turning clockwise.			
Notice:				

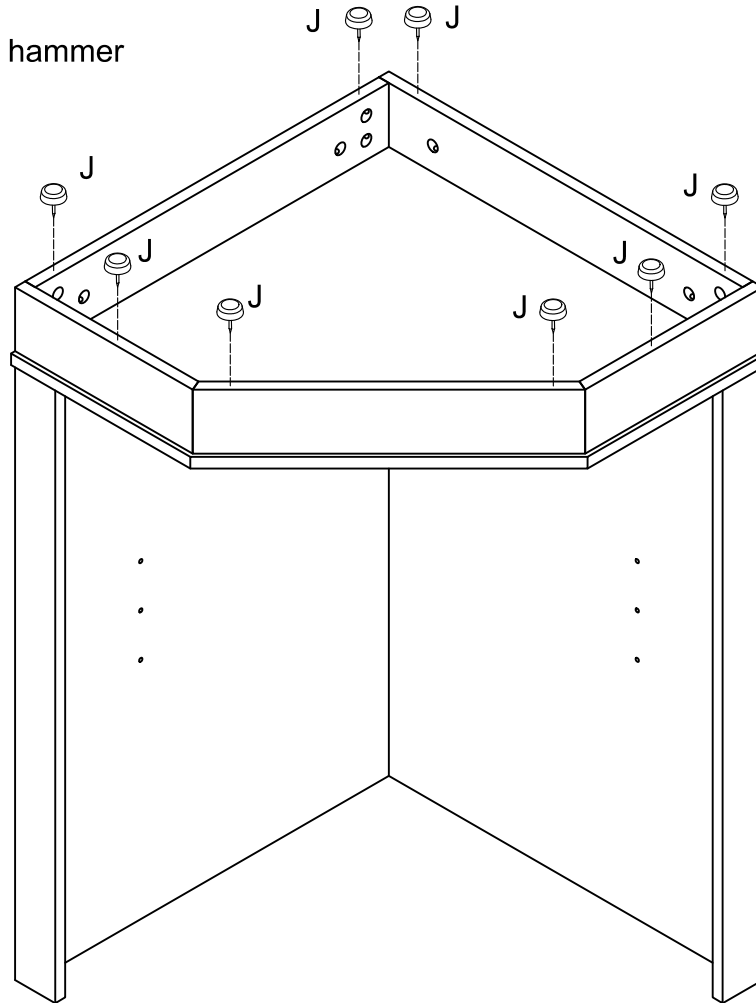
	B×6
	C×4



Note:	Install the lower half of the cabinet			
Required Parts:				
Required Hardware:	6 × Connector housings B	4 × Wooden plugs C		
Description:	First, insert the wooden plugs C into the holes on panels 6 and 7, and connect them to panel 3. Then insert connector housings B into the holes on panels 6, 7, and 10, and tighten them by turning clockwise.			
Notice:				



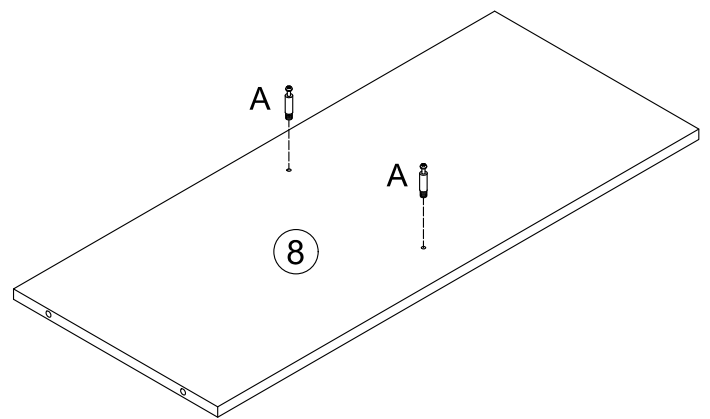
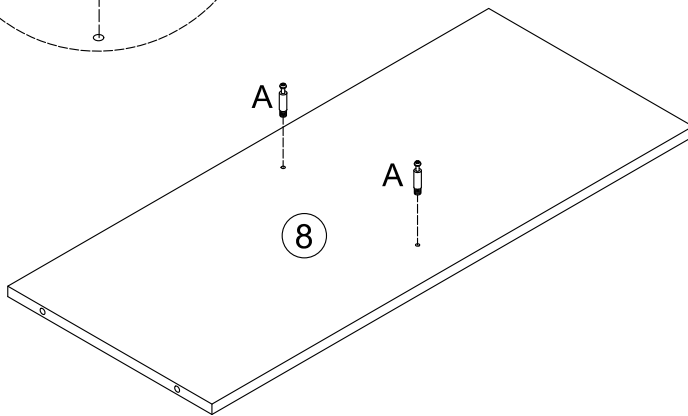
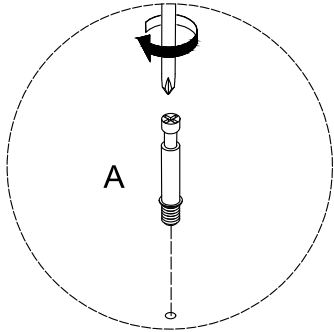
Need to bring your own hammer



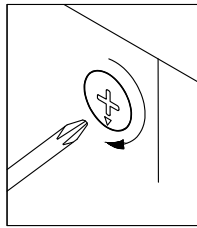
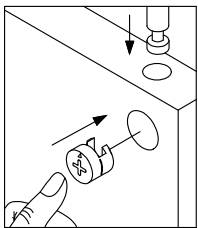
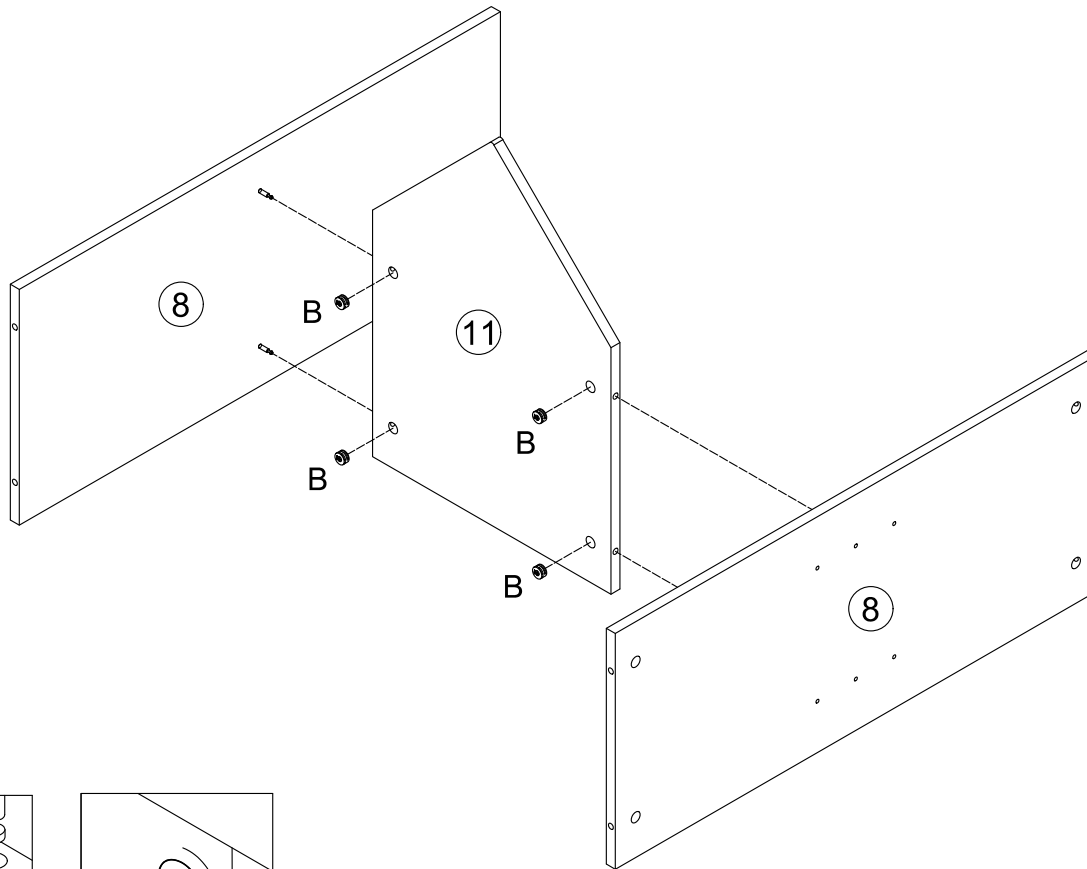
Note:	Install the lower half of the cabinet			
Required Parts:				
Required Hardware:	8 × Feet J			
Description:	Using a hammer, nail the feet J into the base.			
Notice:				



A×4


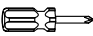


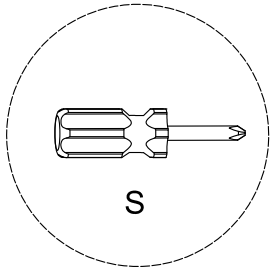
Note:	Install the lower half of the cabinet			
Required Parts:	2 × Panel No. 8			
Required Hardware:	4 × Connecting bolts A			
Description:	Screw the connecting bolts A into panel 8.			
Notice:	Screw the connecting bolts A vertically into the holes.			



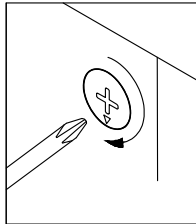
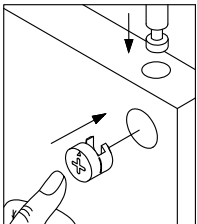
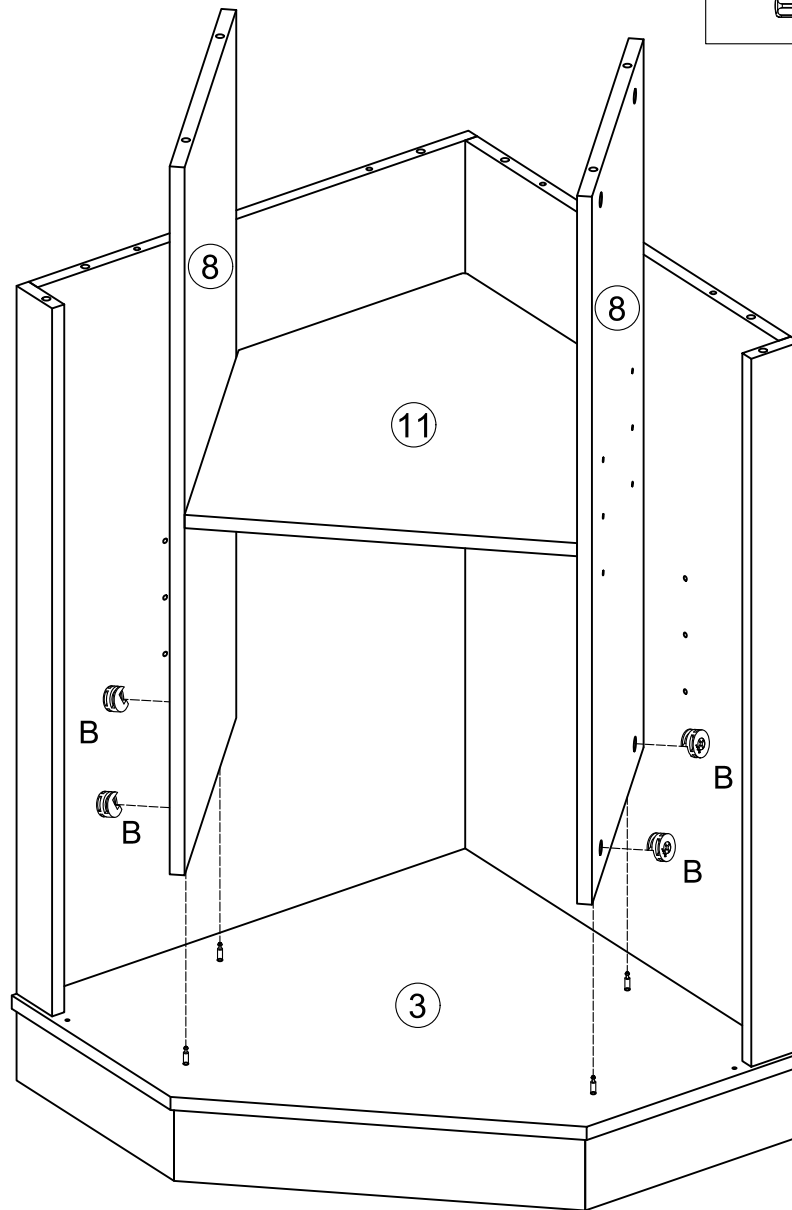
Note:	Install the lower half of the cabinet			
Required Parts:	1 × Panel No. 11			
Required Hardware:	4 × Connector housings B			
Description:	Insert connector housings B into the pre-drilled holes on panel 11, then tighten them by turning clockwise.			
Notice:				

step14/step33



	B×4
	S×1

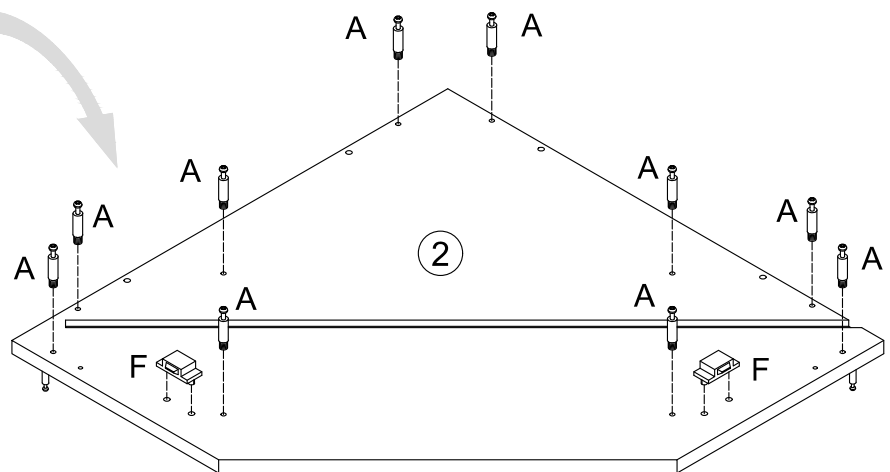
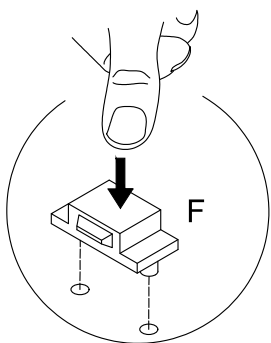
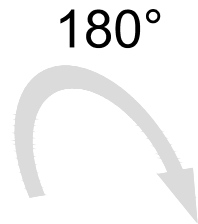
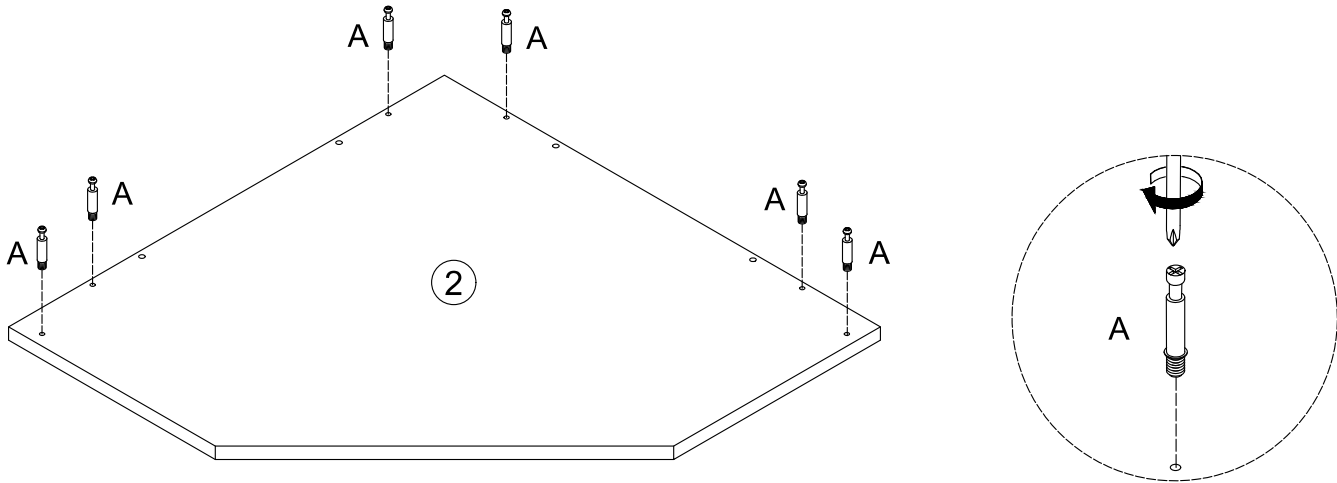


A smaller screwdriver needs to be used here.

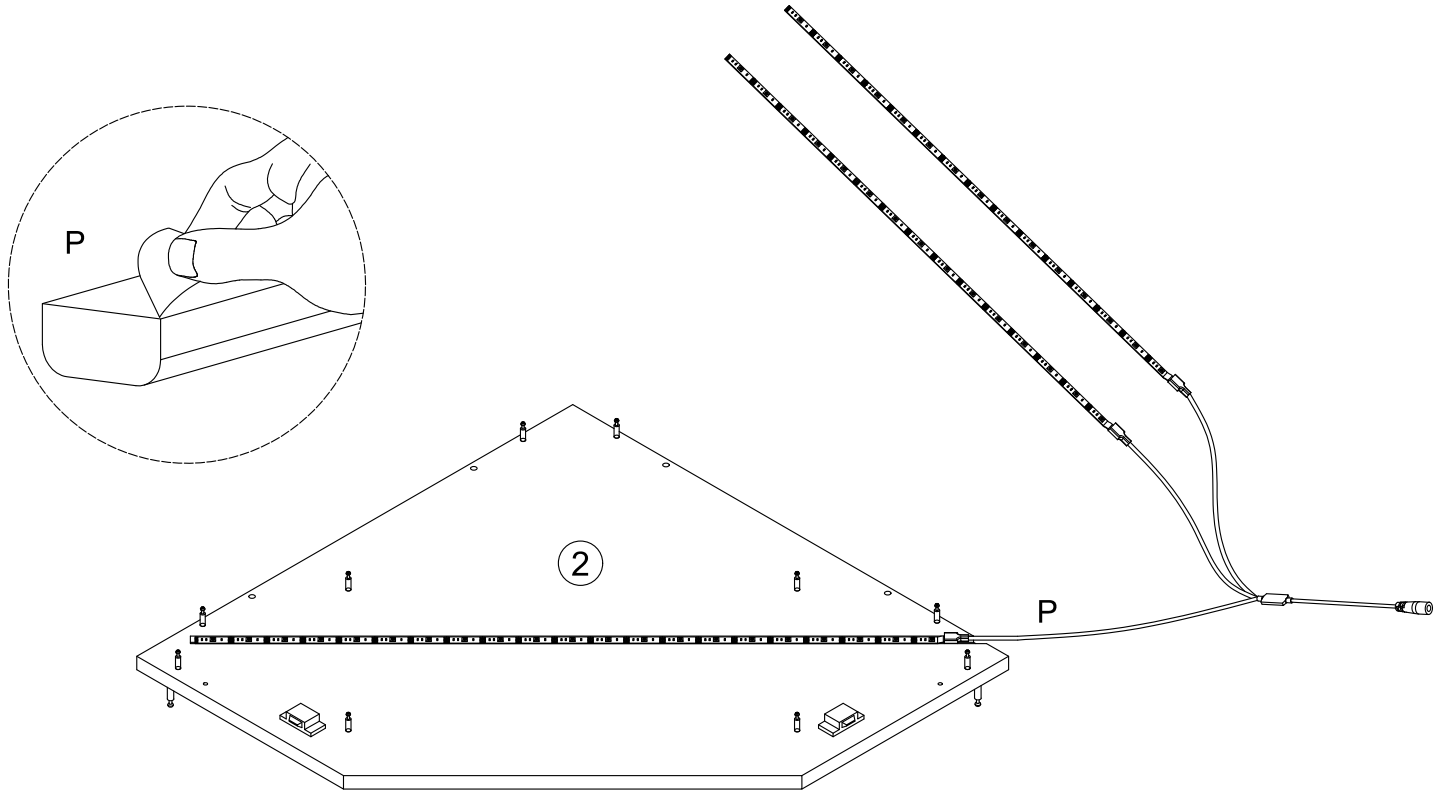
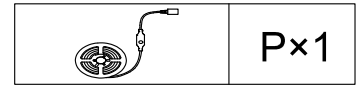


Note:	Install the lower half of the cabinet			
Required Parts:				
Required Hardware:	4 × Connector housings B			
Description:	Insert connector housings B into the pre-drilled holes on panel 8, then tighten them by turning clockwise.			
Notice:	A smaller screwdriver needs to be used here.			

	A×16		F×2
--	------	---	-----

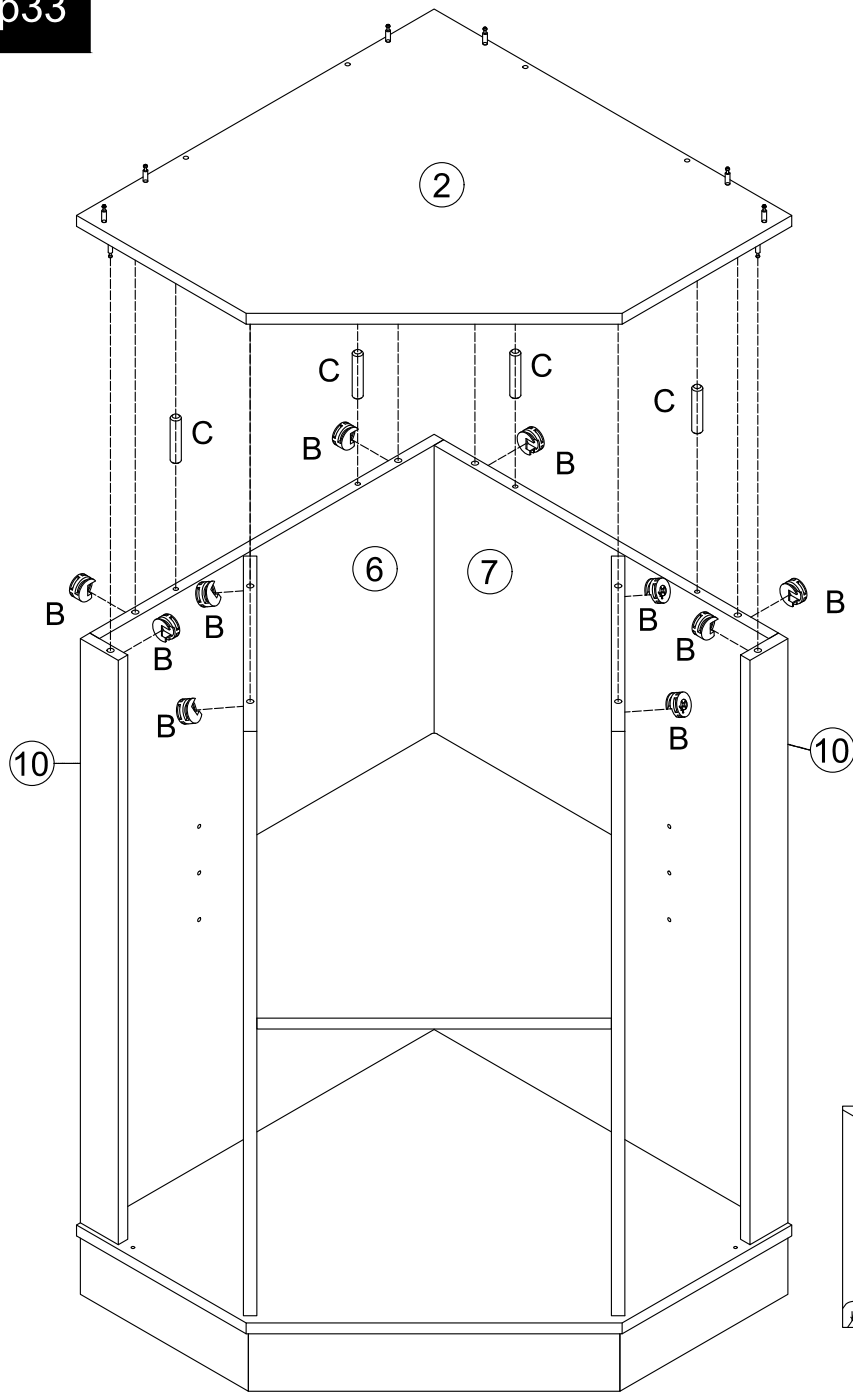




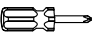
Note:	Install the lower half of the cabinet			
Required Parts:	1 × Panel No. 2			
Required Hardware:	16 × Connecting bolts A	2 × Magnetic catches F		
Description:	Screw the connecting bolts A into both the front and back sides of panel 2. Press the magnetic catches F into panel 2.			
Notice:	Screw the connecting bolts A vertically into the holes. The smaller holes are for connecting bolts A; the larger holes are for wooden plugs. Distinguish between the front and back sides of the panel. The magnet side of the magnetic catches should face outward.			

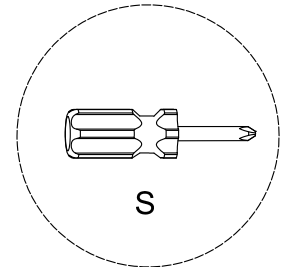


Note:	Install LED light strip accessories			
Required Parts:				
Required Hardware:	1 × LED strip P			
Description:	Peel off the protective film from the LED strip P, then stick the LED strip P into the groove.			
Notice:				

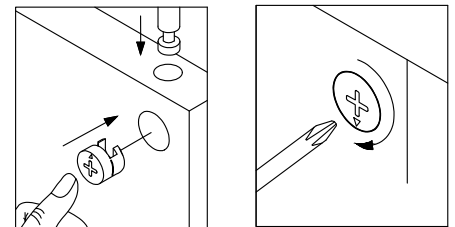
step17/step33



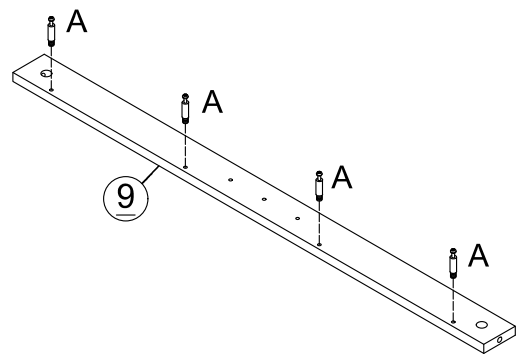
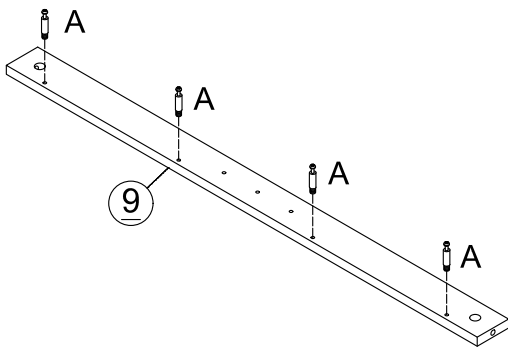
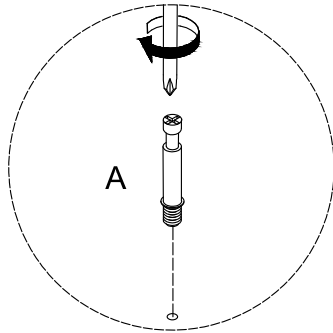
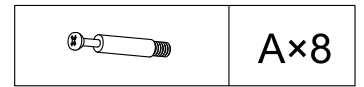
	B×10
	C×4
	S×1



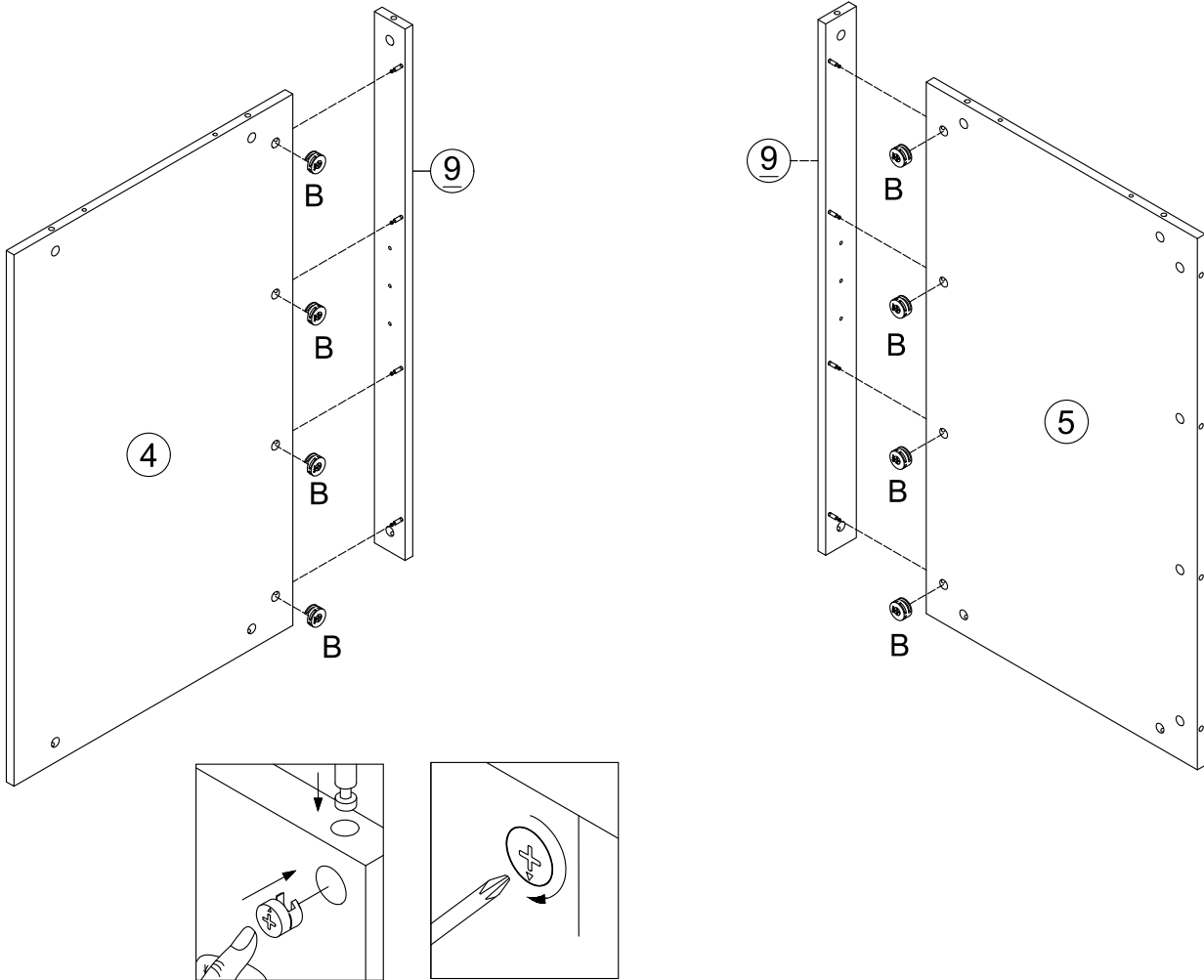
A smaller screwdriver needs to be used here.



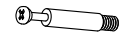
Note:	Install the lower half of the cabinet			
Required Parts:				
Required Hardware:	10 × Connector housings B	4 × Wooden plugs C		
Description:	First, insert the wooden plugs C into the holes on panels 6 and 7, and connect them to panel 2. Then insert connector housings B into the holes on panels 6, 7, and 10, and tighten them by turning clockwise.			
Notice:	A smaller screwdriver needs to be used here.			



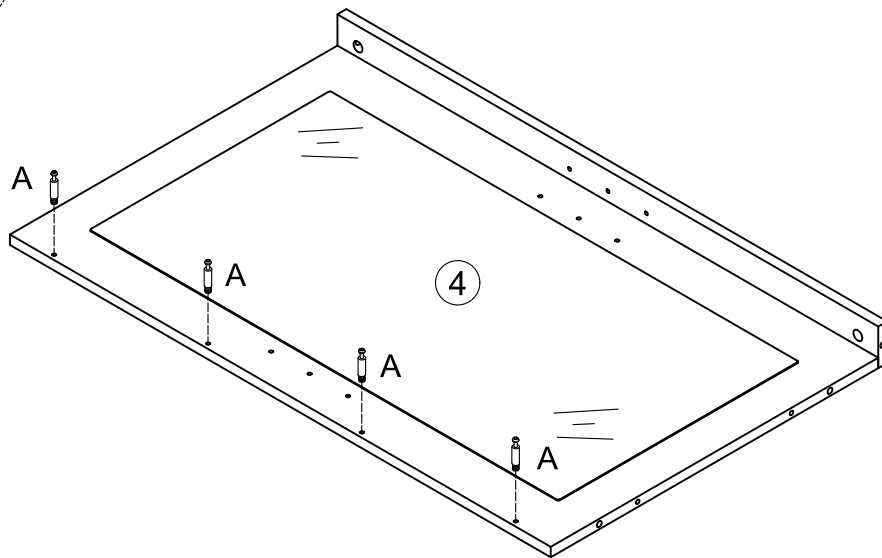
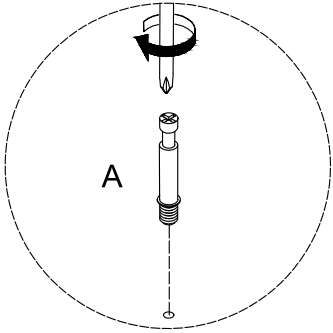
Note:	Install the upper half of the cabinet			
Required Parts:	2 × Panel No. 9			
Required Hardware:	8 × Connecting bolts A			
Description:	Screw the connecting bolts A into panel 9.			
Notice:	Screw the connecting bolts A vertically into the holes.			



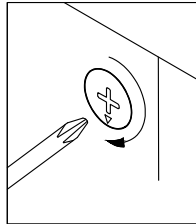
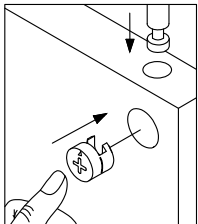
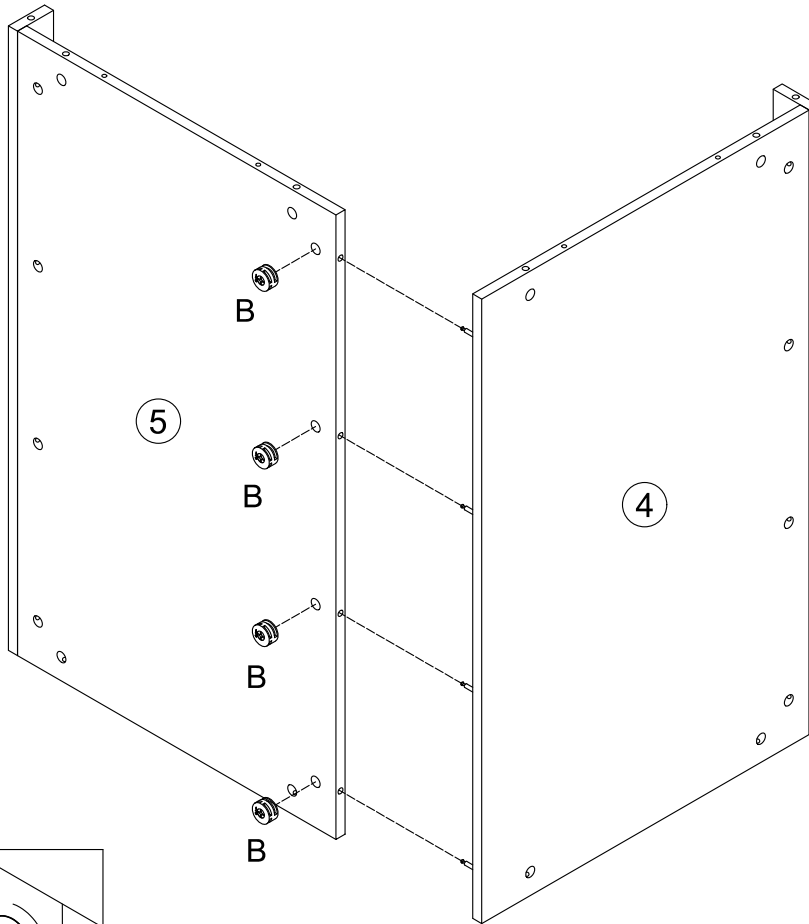
Note:	Install the upper half of the cabinet			
Required Parts:	1 × Panel No. 4	1 × Panel No. 5		
Required Hardware:	8 × Connector housings B			
Description:	Insert connector housings B into the pre-drilled holes on panels 4 and 5, then tighten them by turning clockwise.			
Notice:				



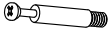

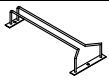
A×4

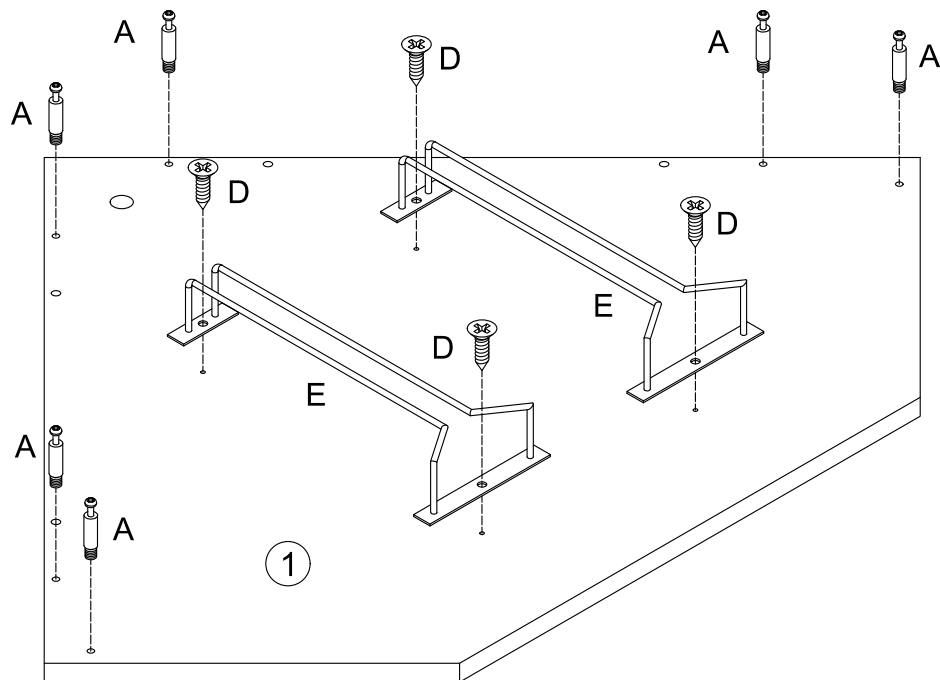
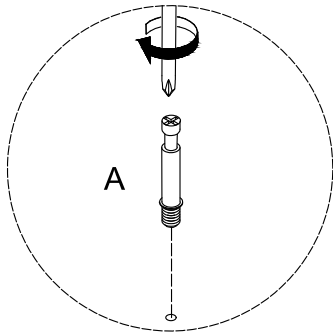


Note:	Install the upper half of the cabinet			
Required Parts:				
Required Hardware:	4 × Connecting bolts A			
Description:	Screw the connecting bolts A into panel 4.			
Notice:	Screw the connecting bolts A vertically into the holes.			





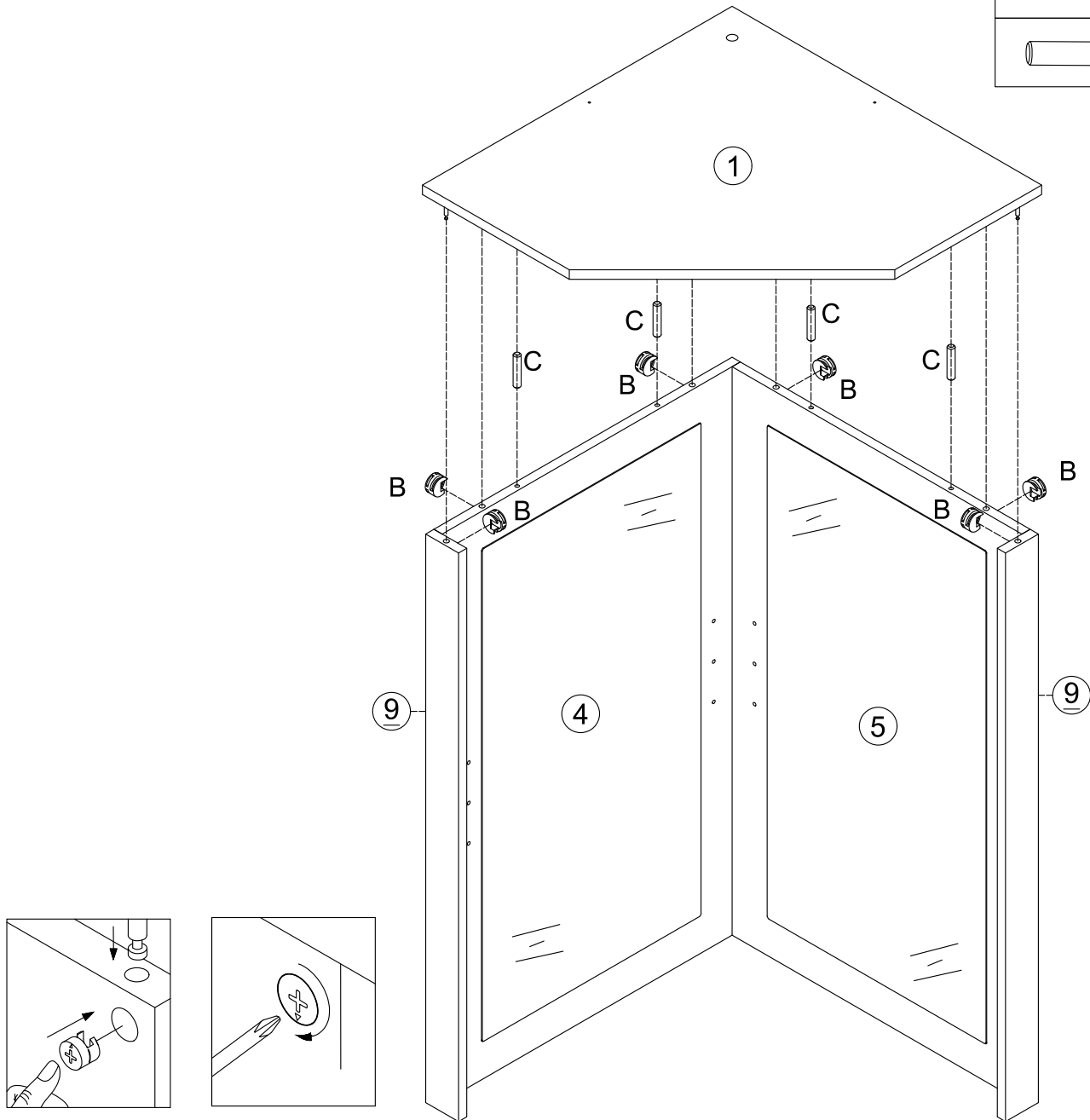
Note:	Install the upper half of the cabinet			
Required Parts:				
Required Hardware:	4 × Connector housings B			
Description:	Insert connector housings B into the pre-drilled holes on panel 5, then tighten them by turning clockwise.			
Notice:				

	A×6		D×4
			E×2





Note:	Install the upper half of the cabinet			
Required Parts:	1 × Panel No. 1			
Required Hardware:	6 × Connecting bolts A	4 × Screws D	2 × Wine glass racks E	
Description:	Screw the connecting bolts A into panel 1. Use 4 screws D to secure the wine glass racks to panel 1.			
Notice:	Screw the connecting bolts A vertically into the holes. The larger part of the wine glass racks should face outward.			

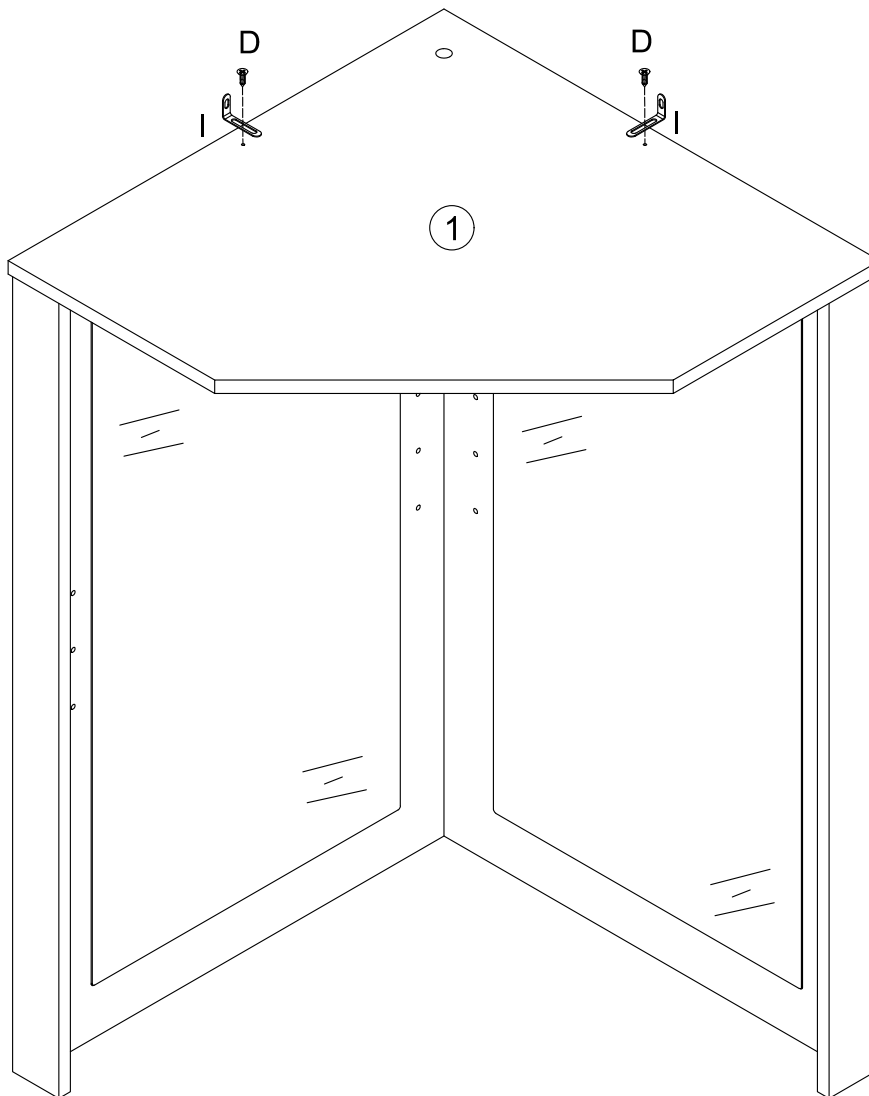
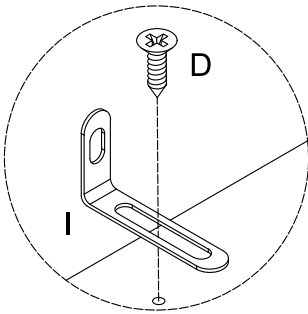
	B×6
	C×4





Note:	Install the upper half of the cabinet			
Required Parts:				
Required Hardware:	6 × Connector housings B	4 × Wooden plugs C		
Description:	First, insert the wooden plugs C into the holes on panels 4 and 5, and connect them to panel 1. Then insert connector housings B into the holes on panels 4, 5, and 9, and tighten them by turning clockwise.			
Notice:				

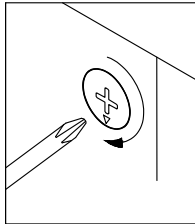
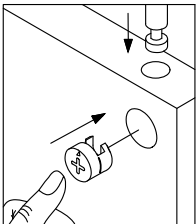
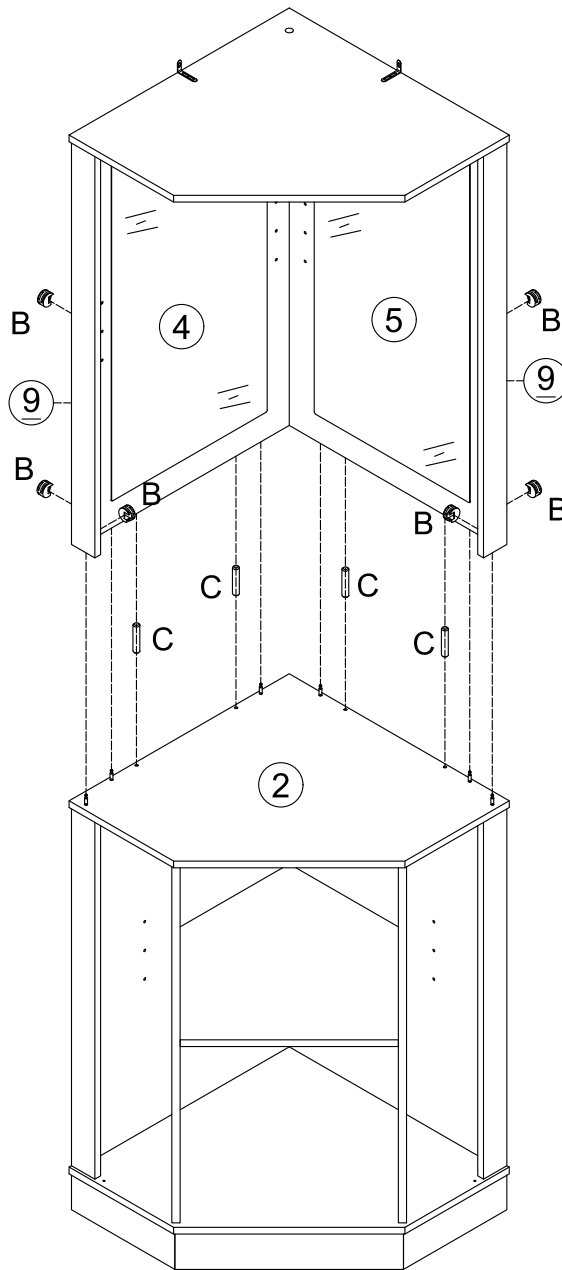
step24/step33

	D×2
	I×2

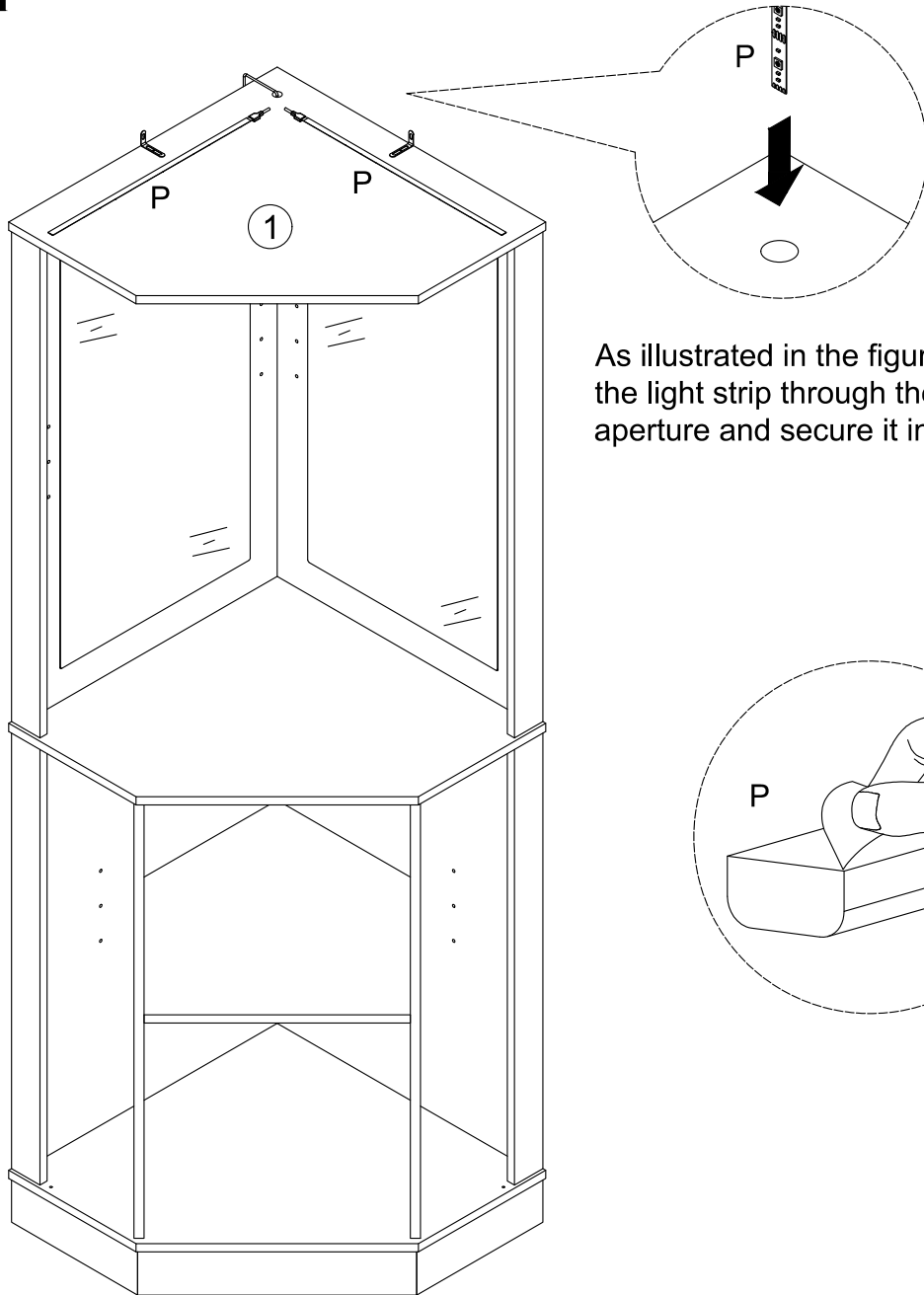


Note:	Install the upper half of the cabinet			
Required Parts:				
Required Hardware:	2 × Screws D	2 × L-shaped brackets I		
Description:	Use 2 screws D to secure the L-shaped brackets I onto panel 1.			
Notice:				

	B×6
	C×4

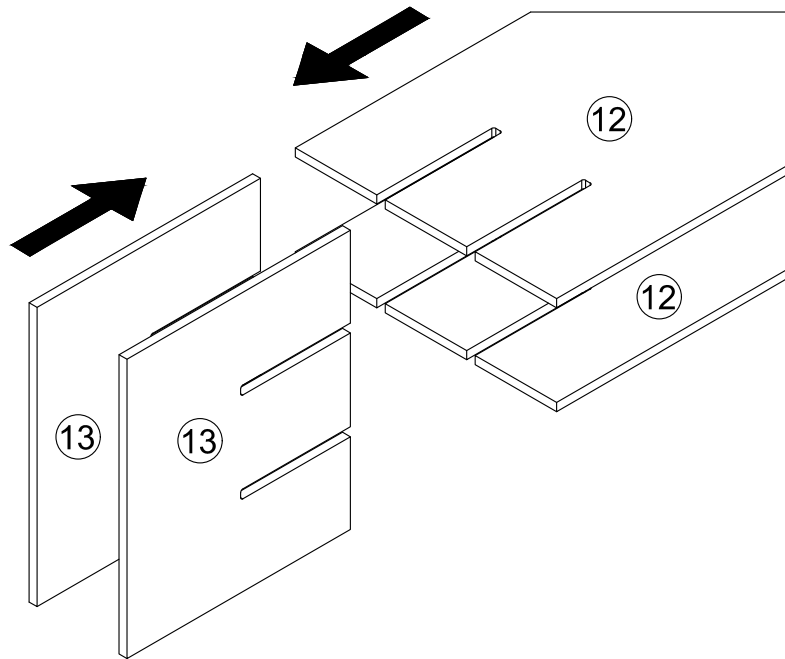


Note:	Install the upper half of the cabinet		
Required Parts:			
Required Hardware:	6 × Connector housings B	4 × Wooden plugs C	
Description:	First, insert the wooden plugs C into the holes on panels 4 and 5, and connect them to panel 2. Then insert connector housings B into the holes on panels 4, 5, and 9, and tighten them by turning clockwise.		
Notice:			

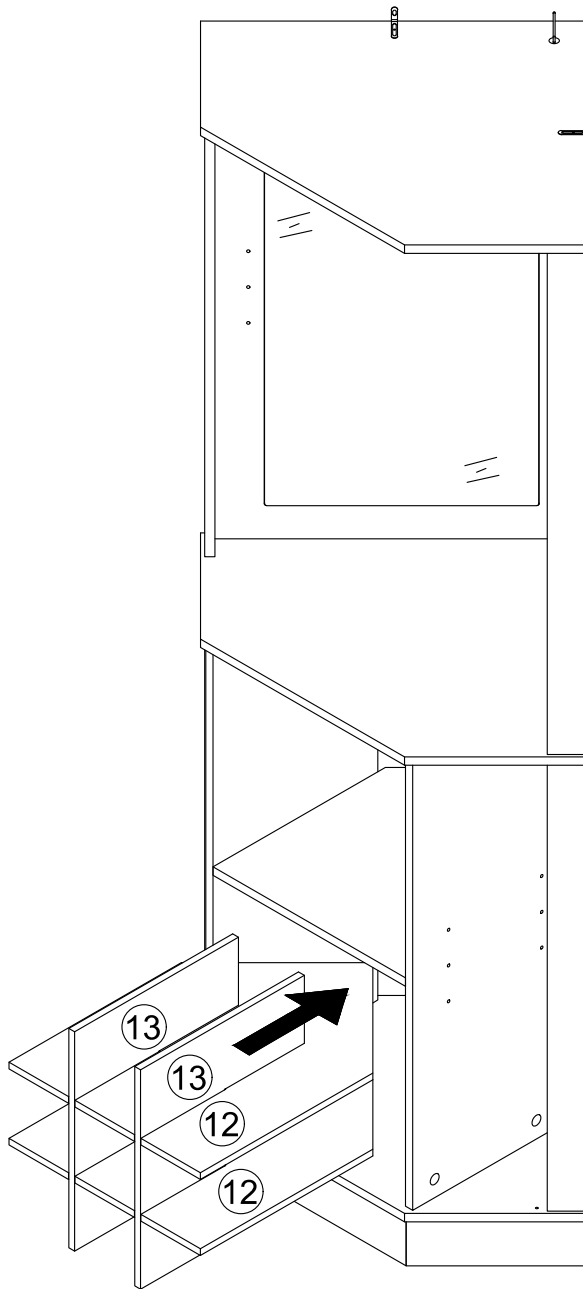


As illustrated in the figure, thread the light strip through the designated aperture and secure it internally.

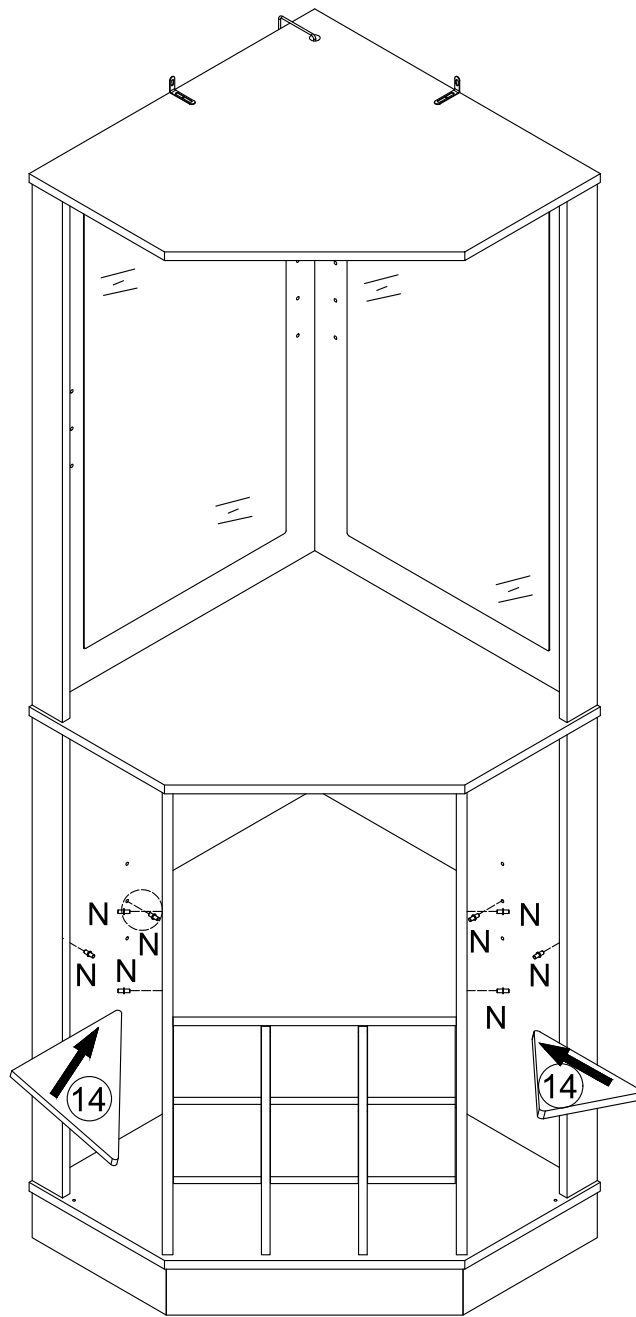
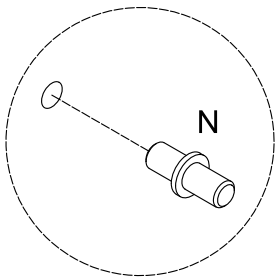
Note:	Install LED light strip accessories			
Required Parts:				
Required Hardware:				
Description:	Pass the LED strip through the hole in panel 1, then stick it to the inner side of panel 1.			
Notice:				



Note:	Install the wine rack			
Required Parts:	2 × Panel No. 12	2 × Panel No. 13		
Required Hardware:				
Description:	Insert panel 13 into the groove of panel 12.			
Notice:				








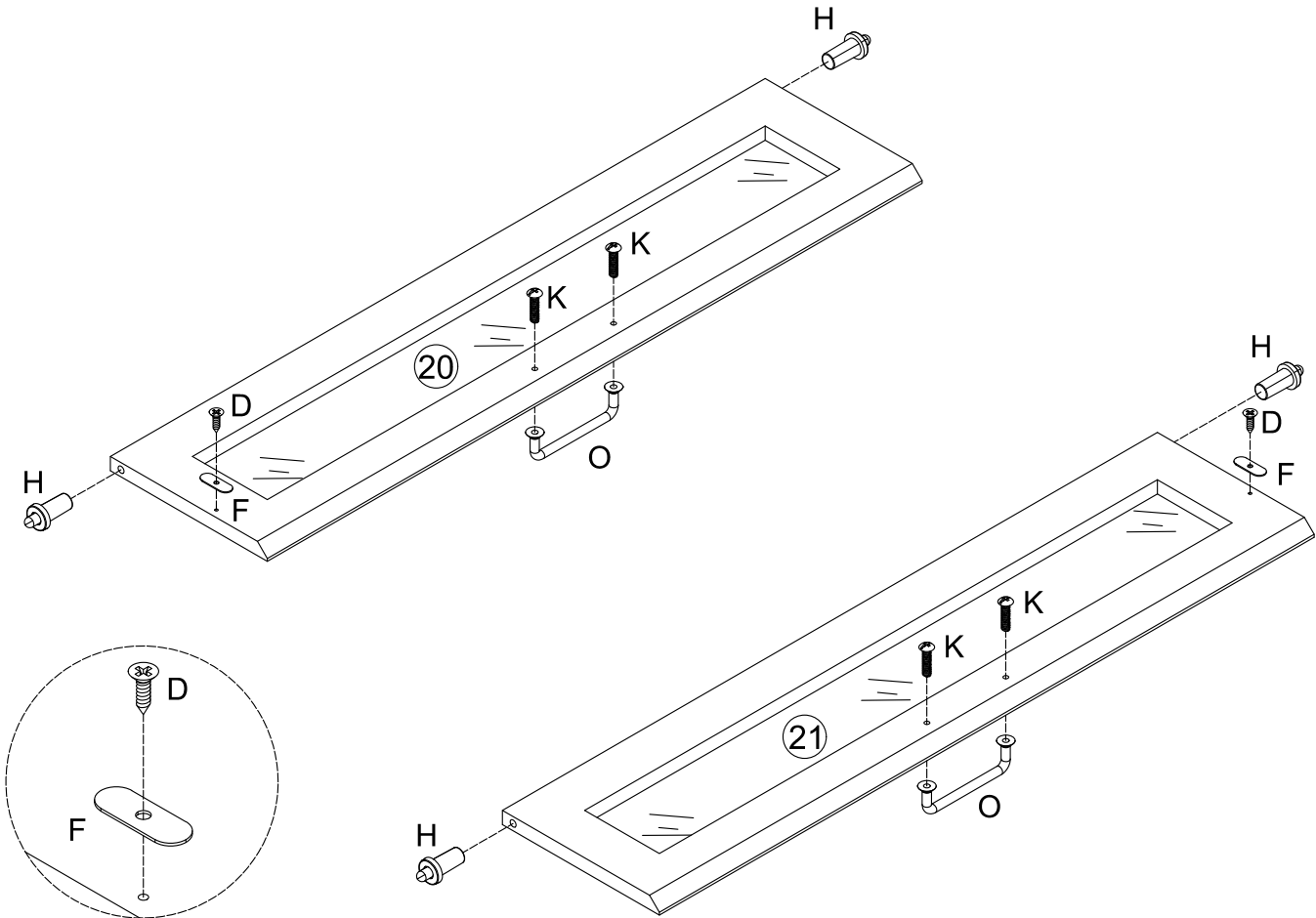
Note:	Install the wine rack			
Required Parts:				
Required Hardware:				
Description:	Place panels 12 and 13 into the cabinet body.			
Notice:				



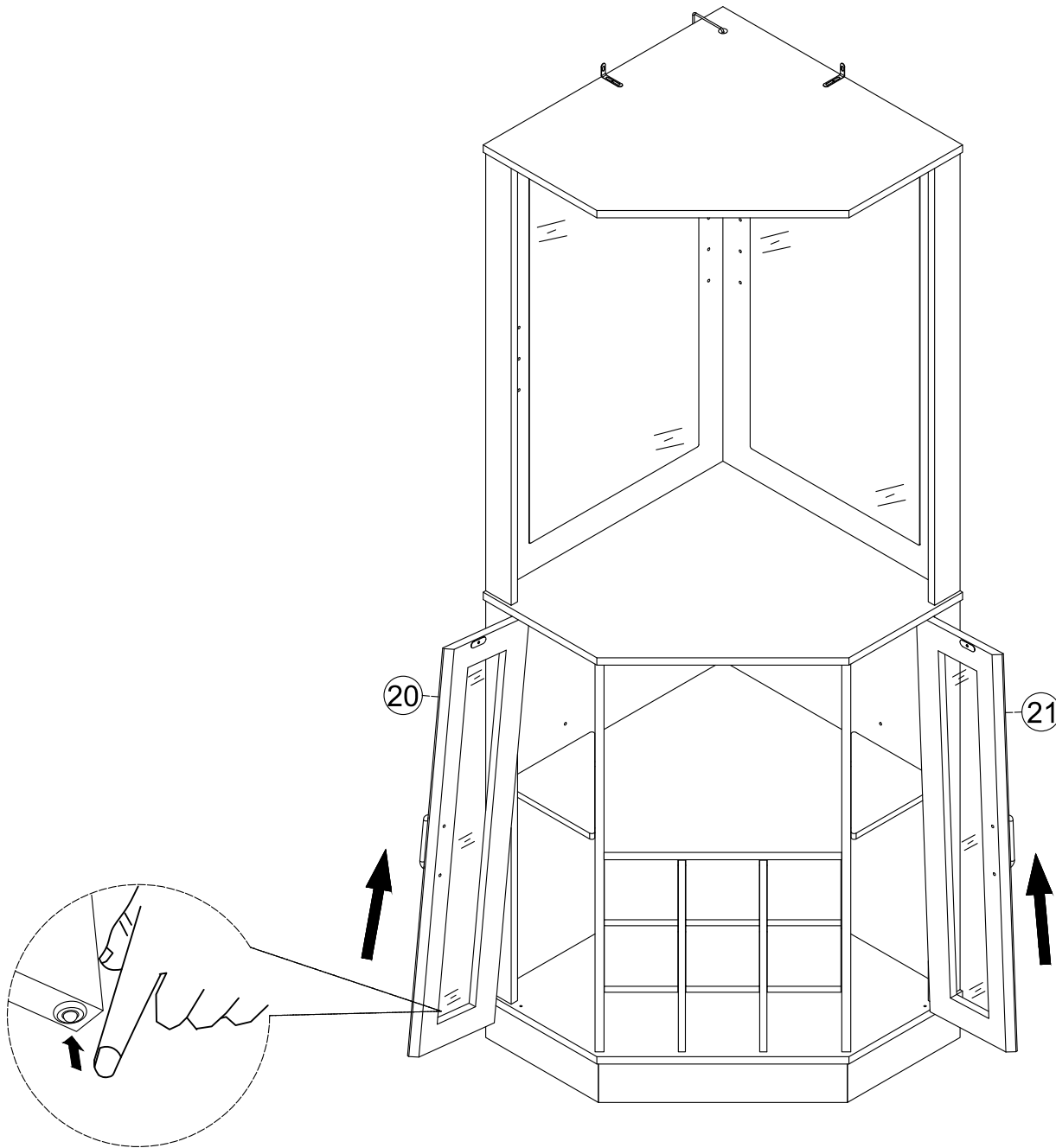
Note:	Install shelf supports			
Required Parts:	2 × Panel No. 14			
Required Hardware:	8 × Shelf supports N			
Description:	Insert the 8 shelf supports N into the holes on cabinet panels 6, 7, and 8.			
Notice:	The shelf positions can be adjusted according to your preference.			

step30/step33

	D×2		F×2
	H×4		K×4
			O×2

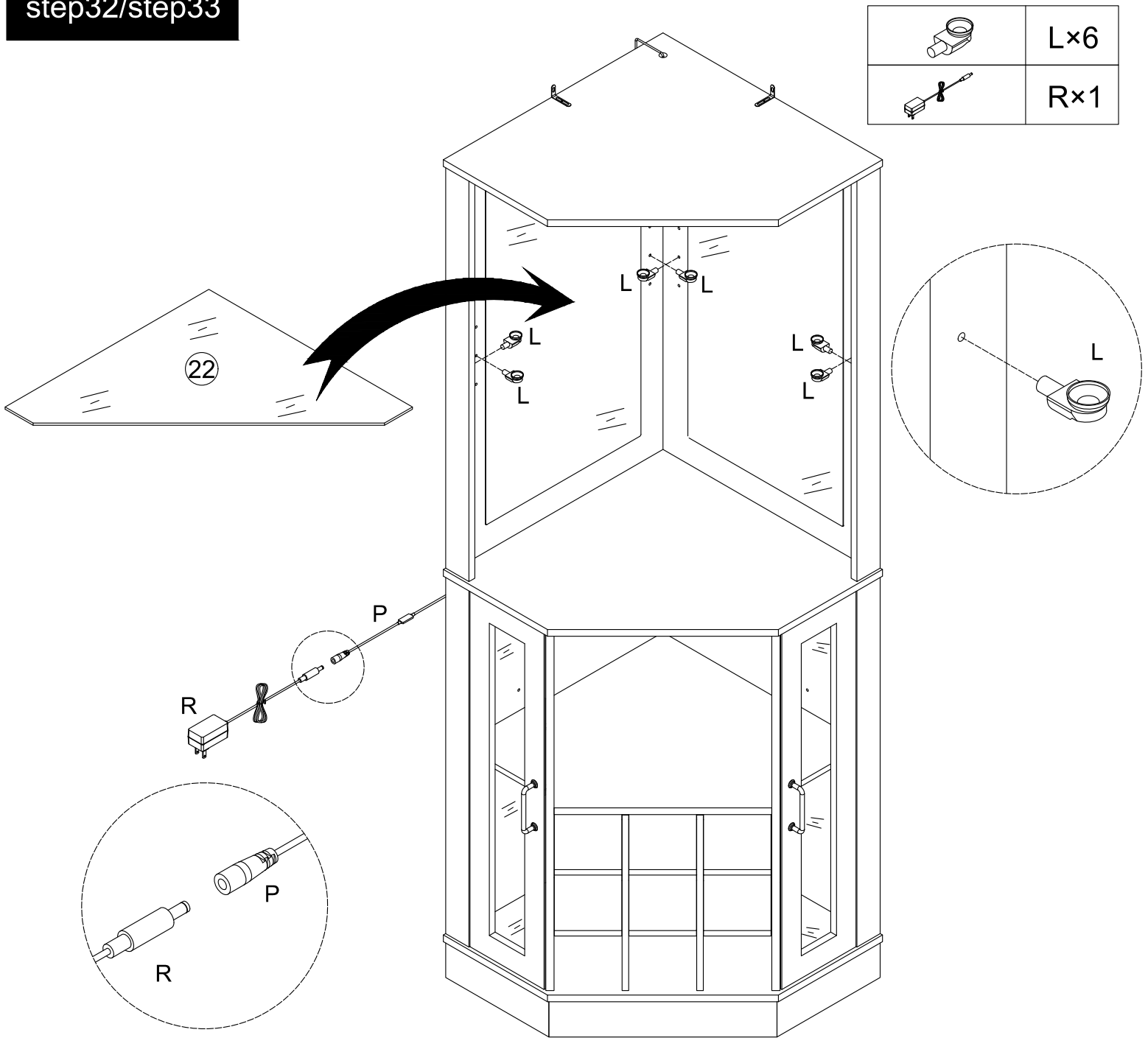


Note:	Install the doors				
Required Parts:	1 × Panel No. 20	1 × Panel No. 21			
Required Hardware:	2 × Screws D	2 × Metal plates F	4 × Spring pins H	2 × Bolts K	2 × Door handles O
Description:	Use 2 screws D to secure the metal plates F onto panels 20 and 21. Use 2 bolts K to secure the door handles O onto panels 20 and 21. Insert the 4 spring pins H into the holes on panels 20 and 21.				
Notice:	Pay attention to the correct orientation of the door handles.				





Note:	Install the doors			
Required Parts:				
Required Hardware:				
Description:	Tilt the door panel upward. At an angle, insert the spring pins into the holes, press down on the lower spring pins, and gently push the door into the holes in the base.			
Notice:				

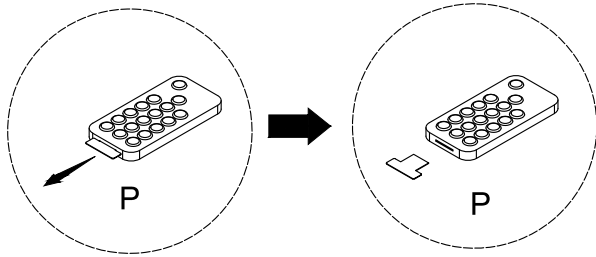
step32/step33



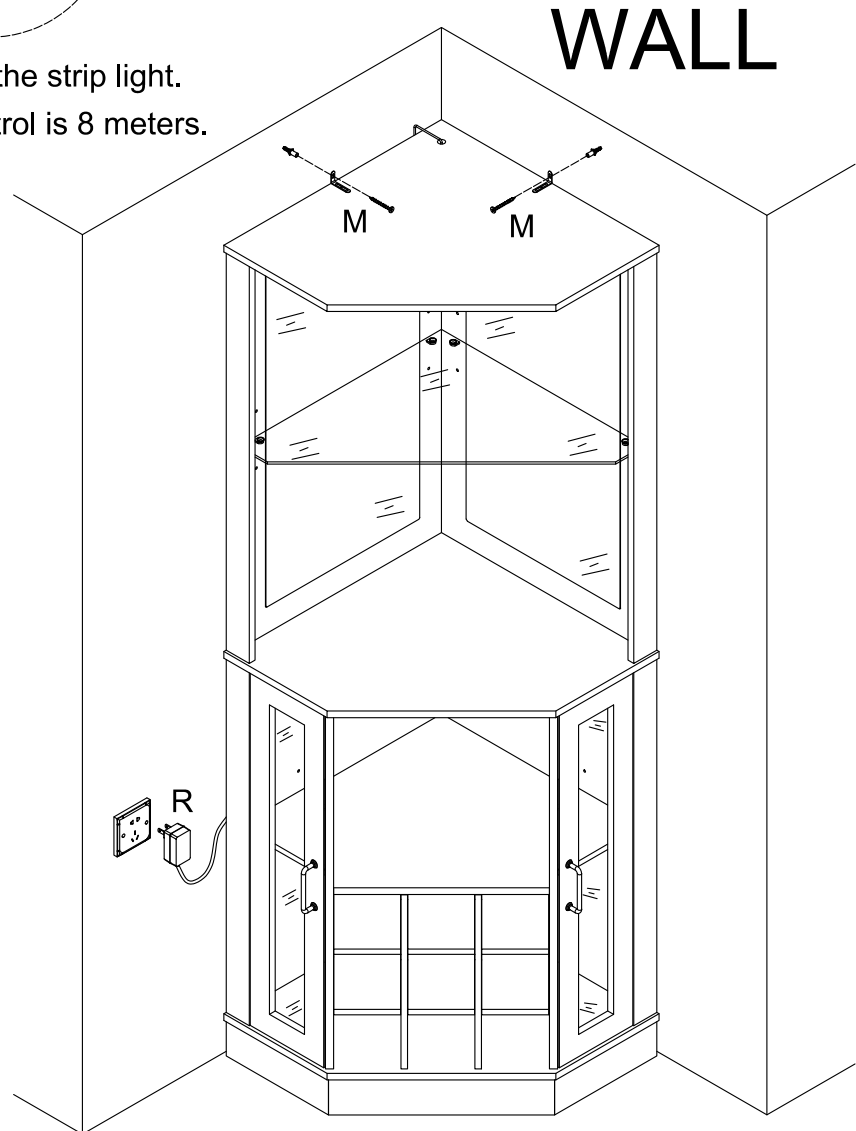
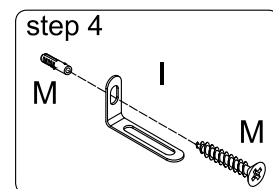
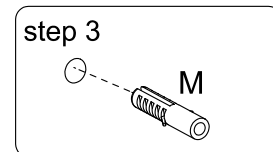
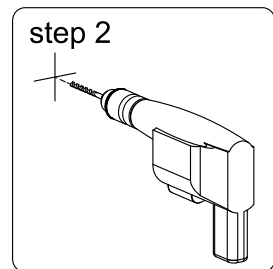
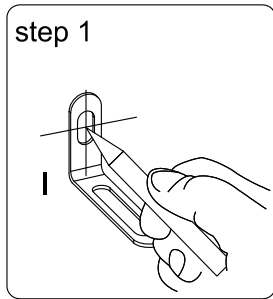
Note:	Install the glass shelf			
Required Parts:	1 × Glass panel No. 22			
Required Hardware:	6 × Glass shelf supports L	1 × Power socket R		
Description:	Insert the 6 glass shelf supports L into the holes on panels 4, 5, and 9. Place glass panel 22 onto the supports. Connect the power socket R to the LED strip			
Notice:	The side of the glass supports L with the suction cup should face upward.			

step33/step33

	M×2
	P×1



I am the remote control that operates the strip light.  
The effective range of the remote control is 8 meters.



Note:	Install the anti-tip device			
Required Parts:				
Required Hardware:	2 × Wall anchor kits M	1 × Remote control P		
Description:	First, measure and mark the fixed points between the cabinet and the wall. Secure the 2 wall anchor kits M to the wall, then pass them through the L-shaped brackets to secure the cabinet in place. Take out the power plug R and insert it into the socket.			
Notice:				