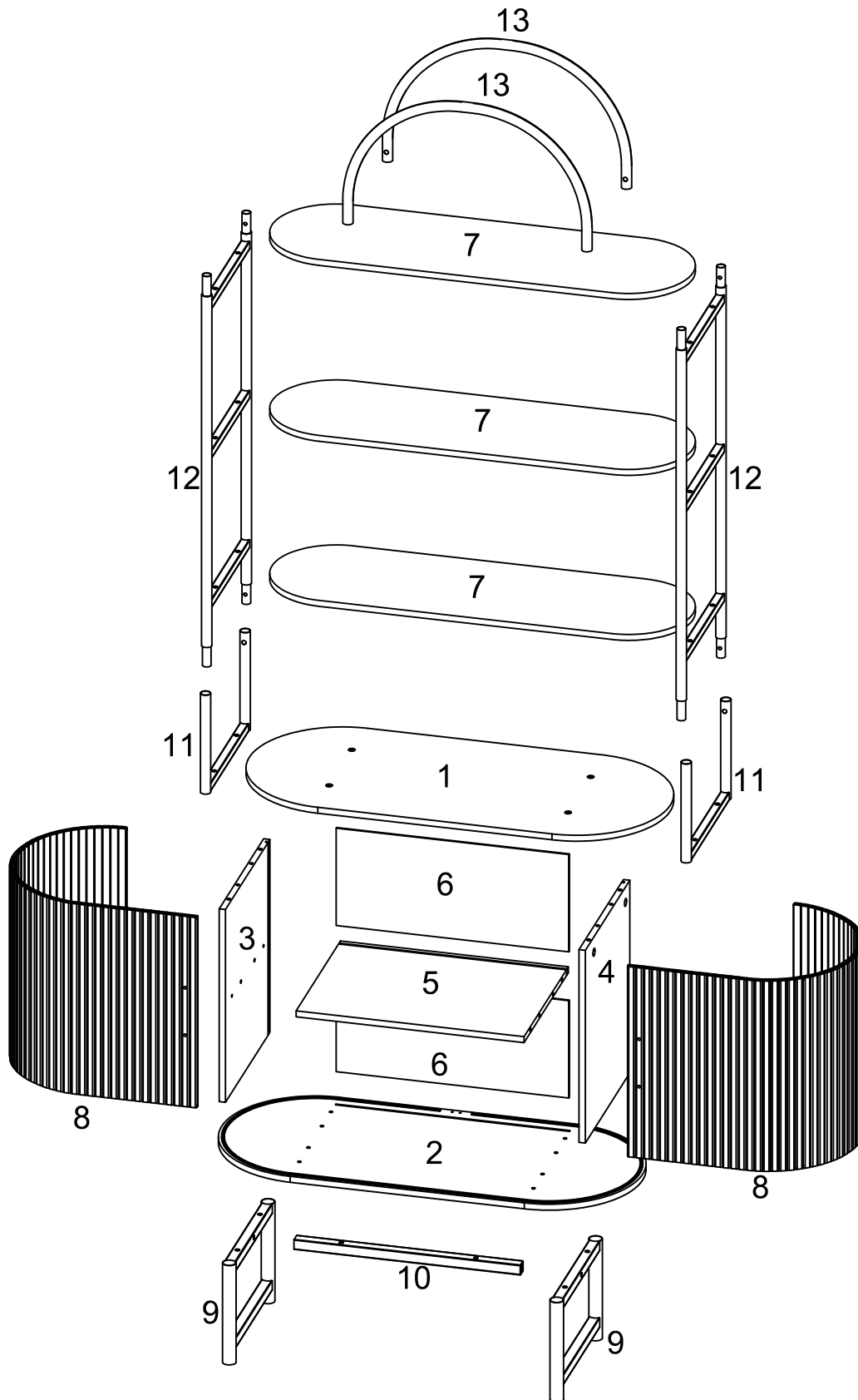


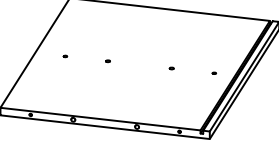
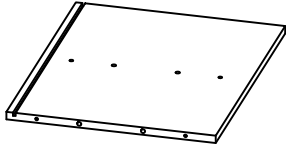
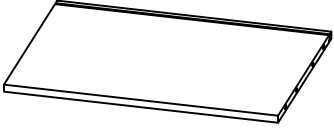
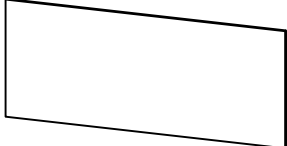

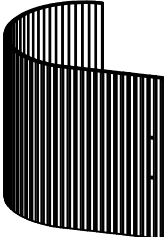
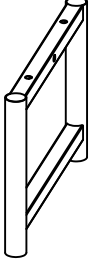

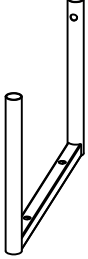
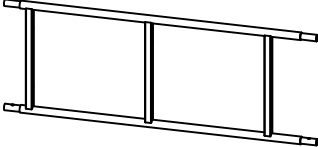
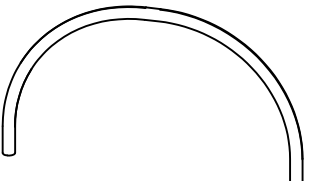




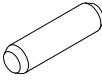








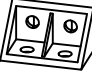
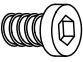

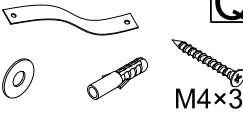

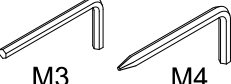
Installation & Assembly

EXPLODED DRAWING

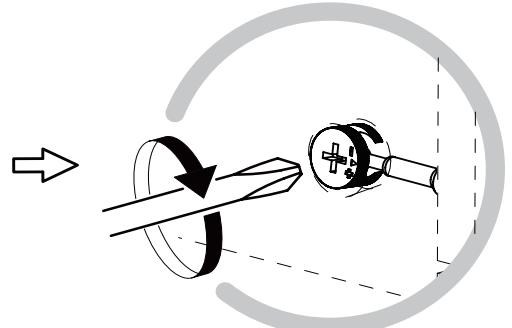
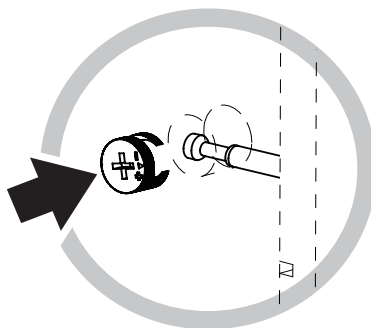
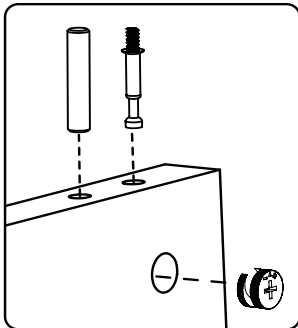


<p>1</p>  <p>x1</p>	<p>2</p>  <p>x1</p>	<p>3</p>  <p>x1</p>	<p>4</p>  <p>x1</p>
<p>5</p>  <p>x1</p>	<p>6</p>  <p>x2</p>	<p>7</p>  <p>x3</p>	<p>8</p>  <p>x2</p>
<p>9</p>  <p>x2</p>	<p>10</p>  <p>x1</p>	<p>11</p>  <p>x2</p>	<p>12</p>  <p>x2</p>
<p>13</p>  <p>x2</p>			

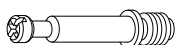

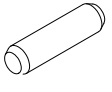
PARTS

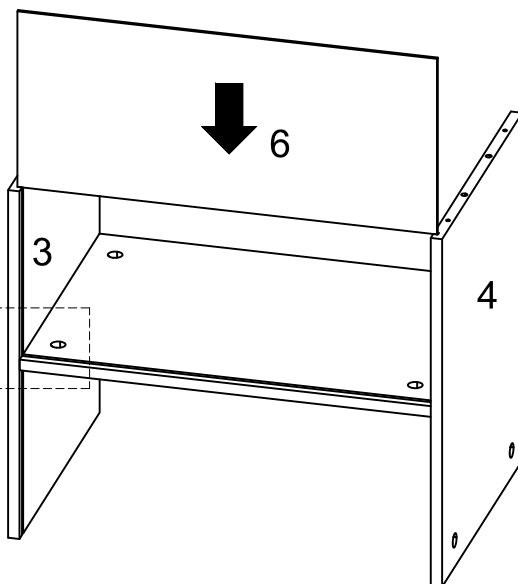
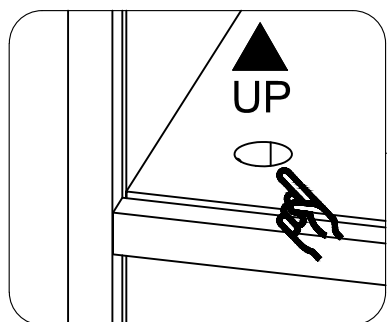
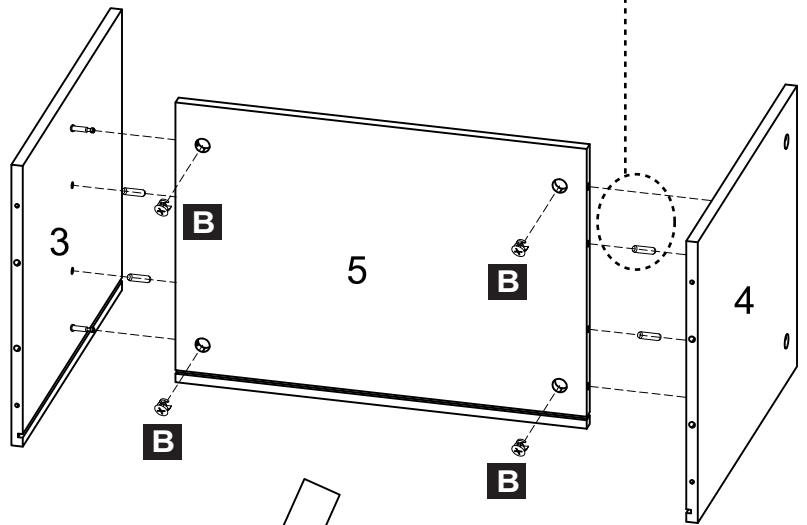
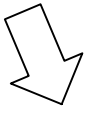
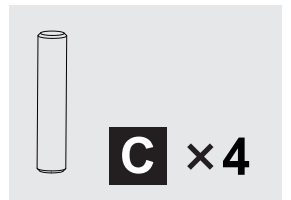
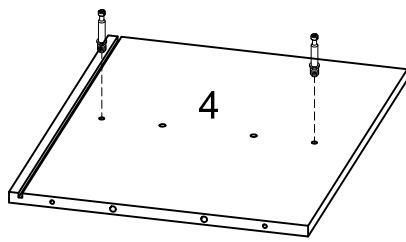
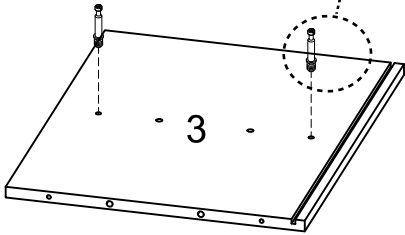
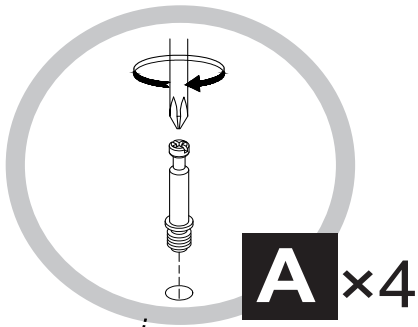
	A × 8		B × 8 M15 × 10		C × 12 M6 × 30		D × 4 M5 × 40
	E × 2 M6 × 45		F × 6 M6 × 28		G × 8		H × 8 M3 × 14
	J × 2 110		K × 2 M4 × 12		L × 2 M4 × 14		M × 1
	N × 8 M6 × 12		P × 16 M6 × 25		Q × 2 M4 × 35		R × 4 M6 × Ø23 × 15
	S × 1 M3 M4						

MINIFIX POSITION



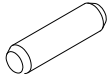

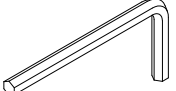
1

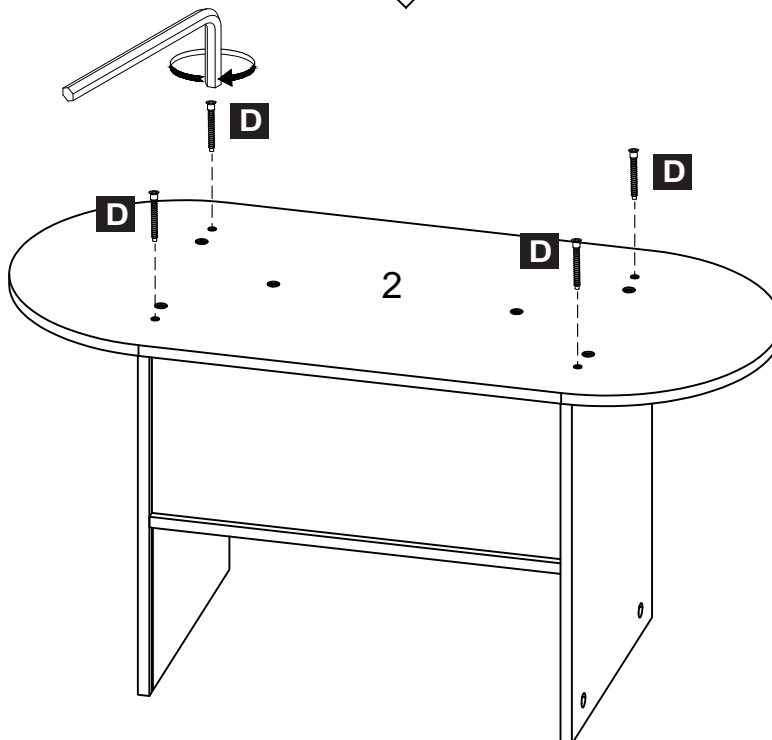
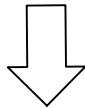
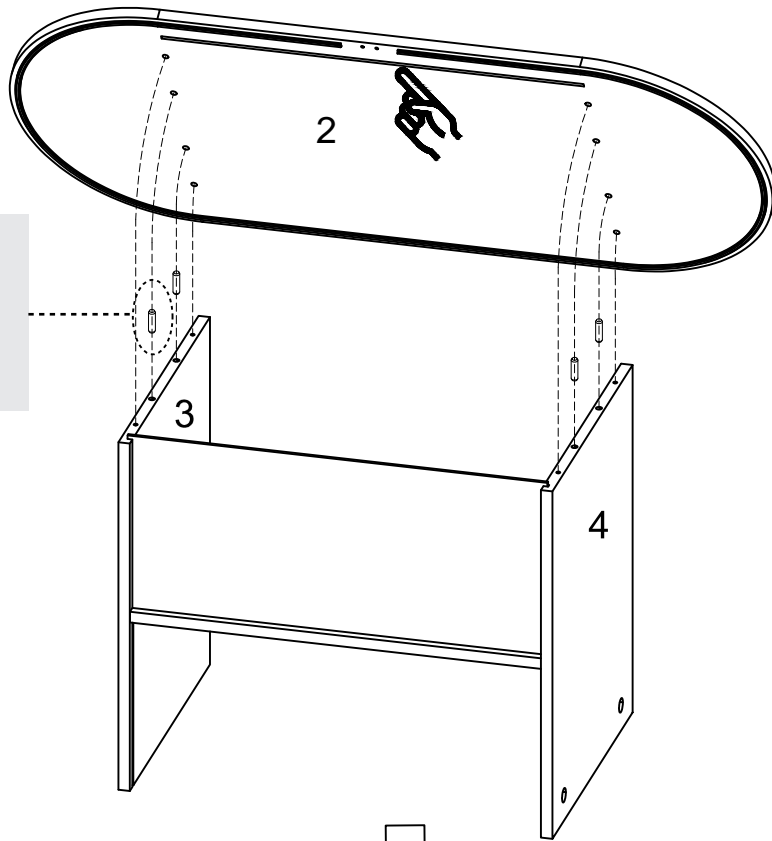
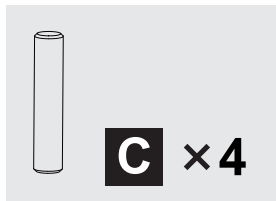
	A × 4		B × 4
	M6×35		M15×10
			C × 4
			M6×30





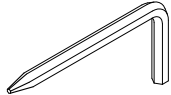
4

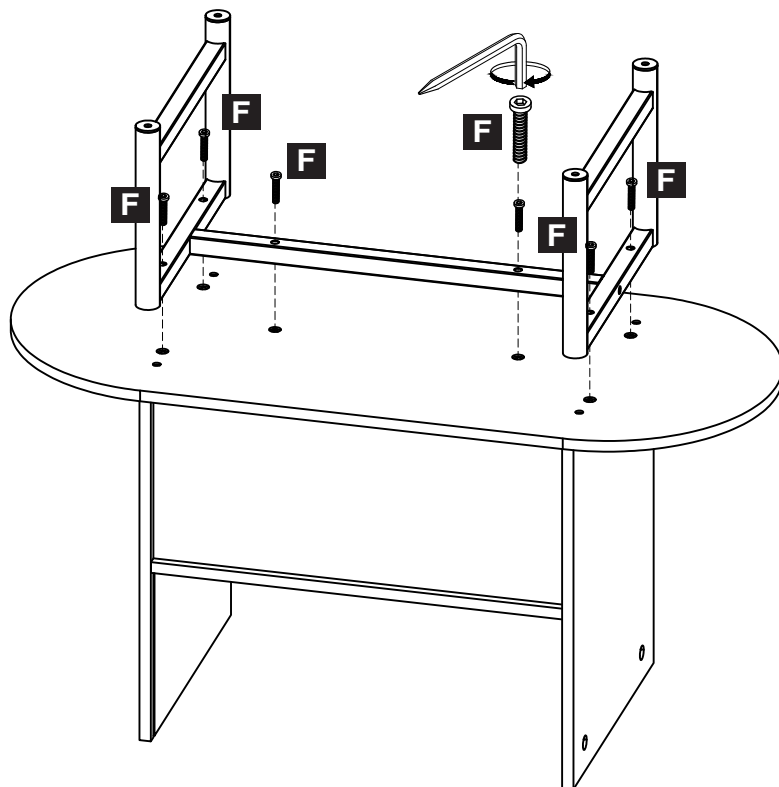
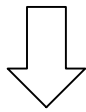
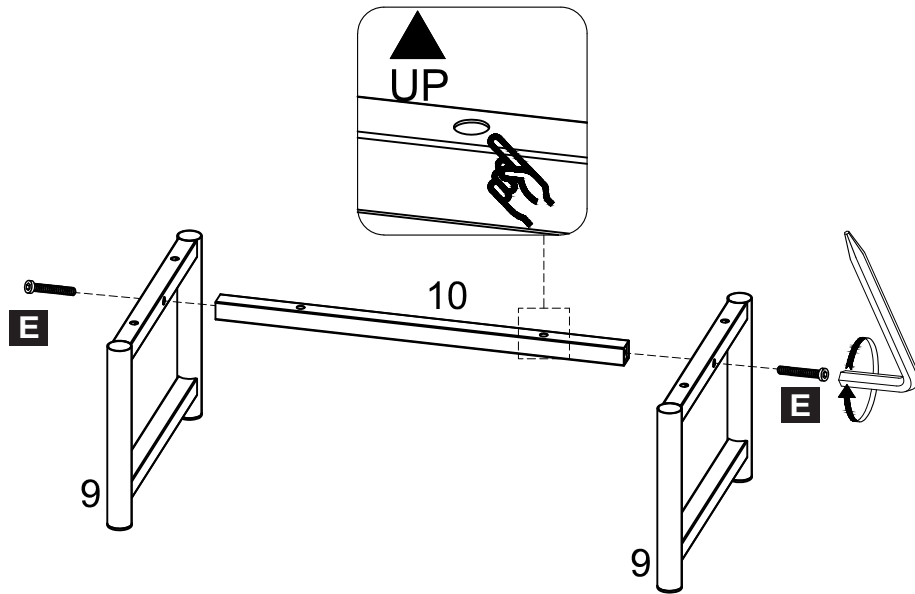
2

	C × 4		D × 4
	M6×30		M5×40
			S × 1
			M3

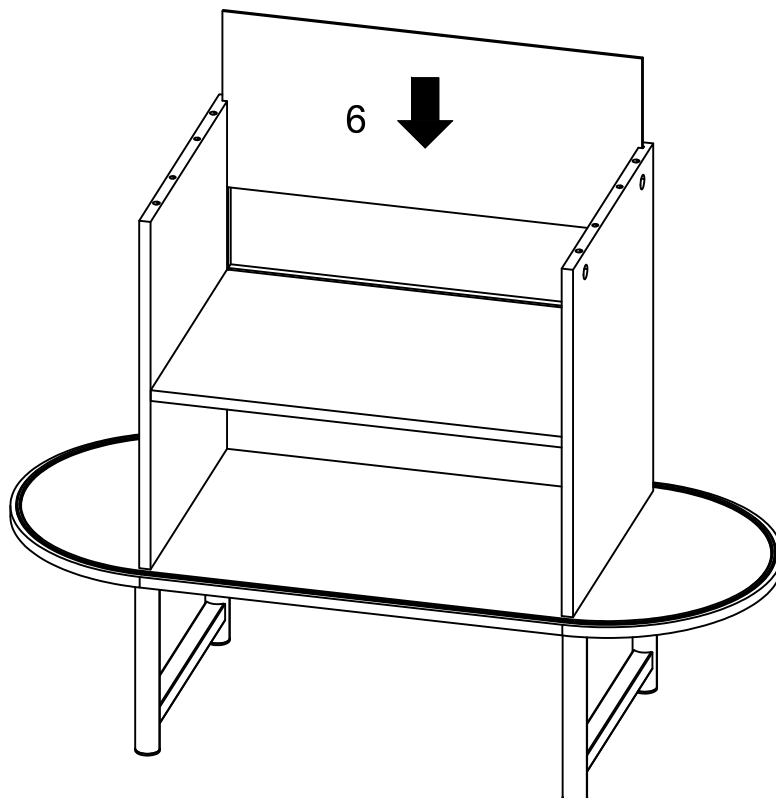
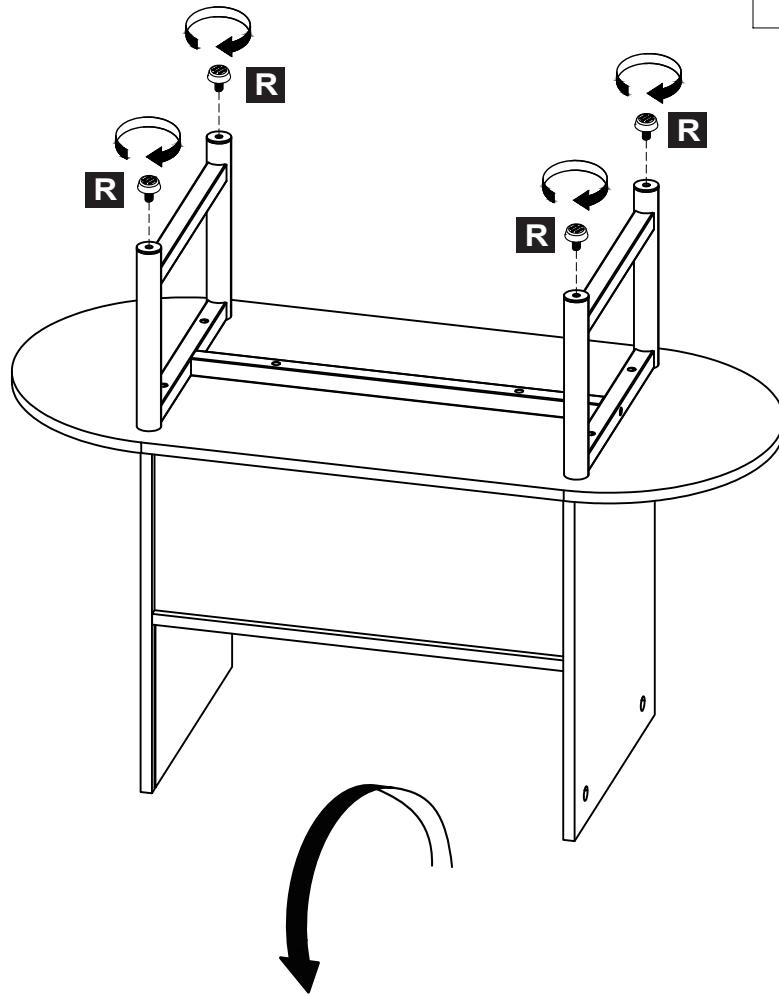
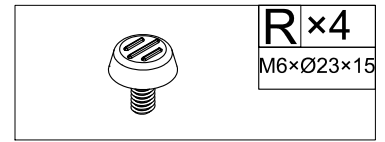


5

	E × 2		F × 6
	M6×45		M6×28
			S × 1
			M4

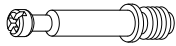

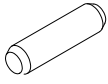


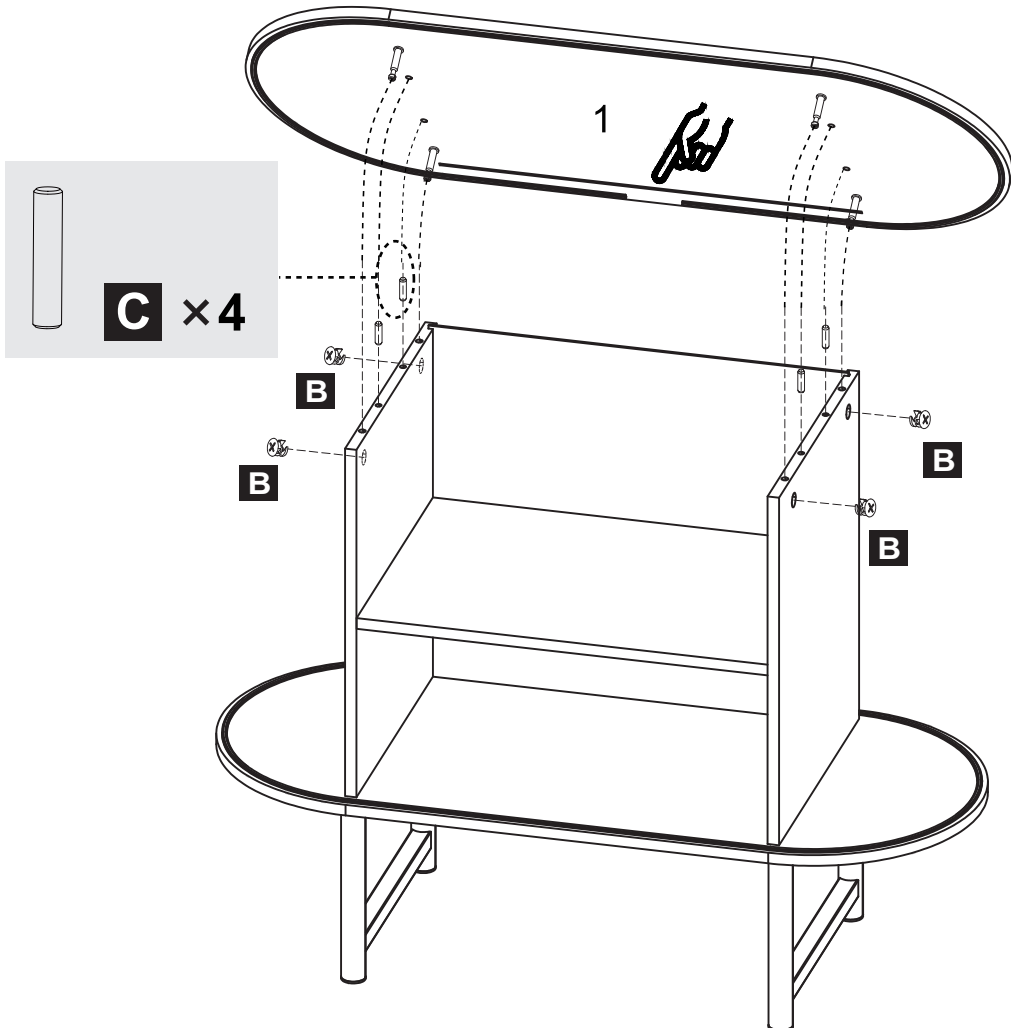
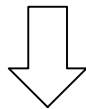
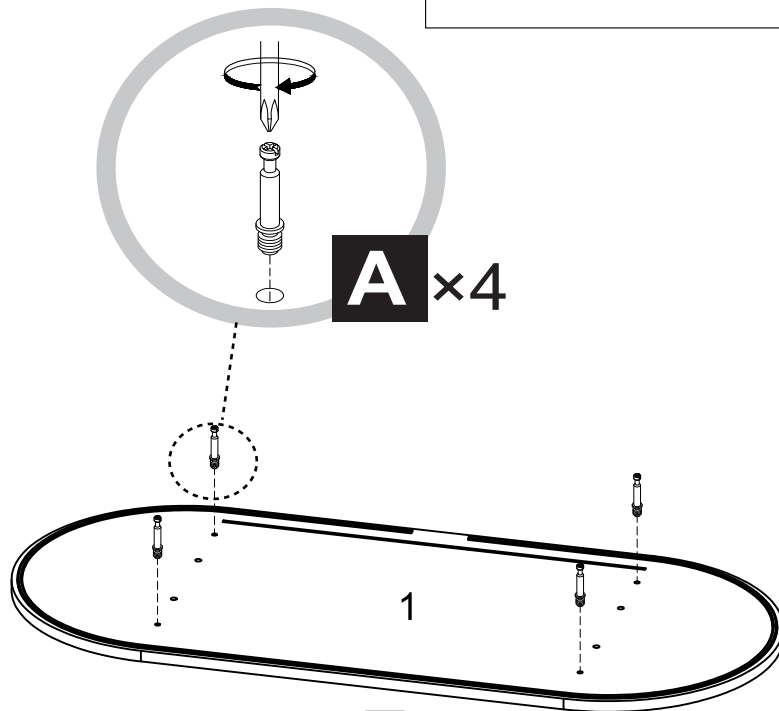
4



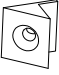

7

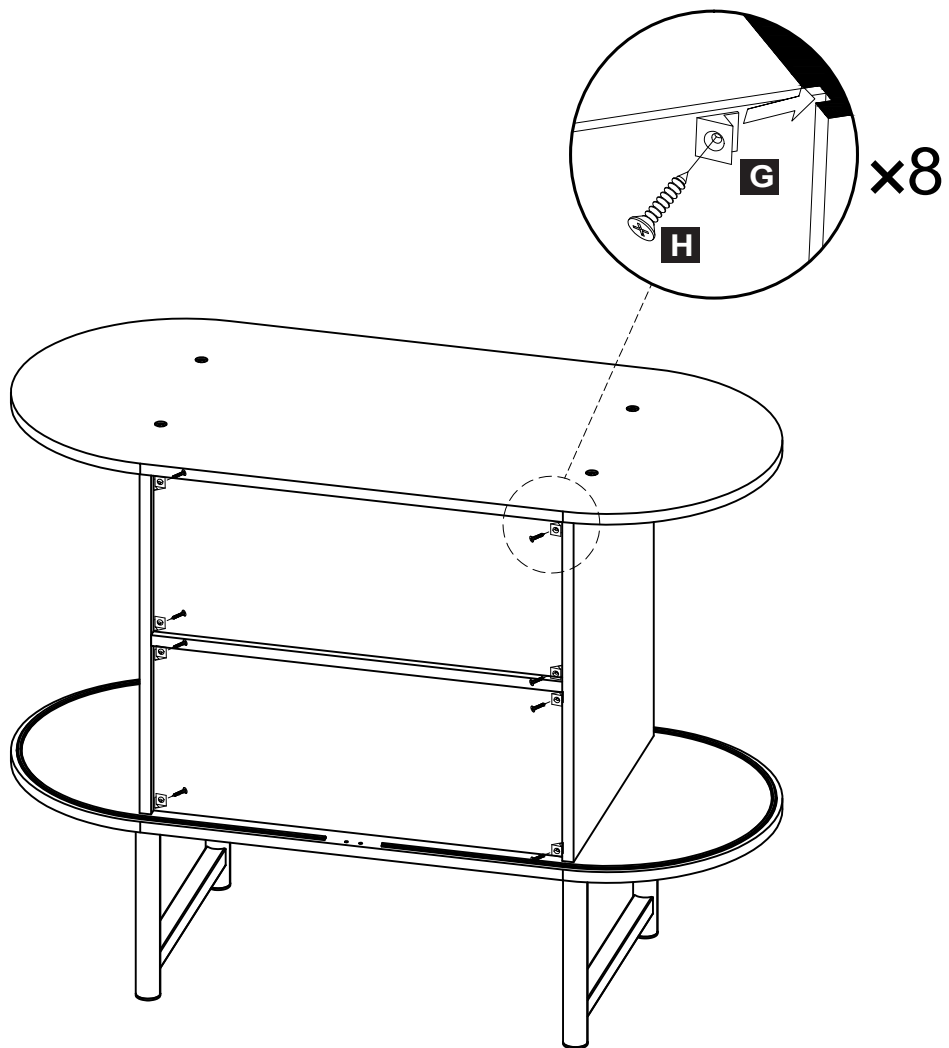
5

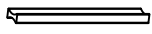

	A × 4		B × 4
	M6×35		M15×10
			C × 4
			M6×30

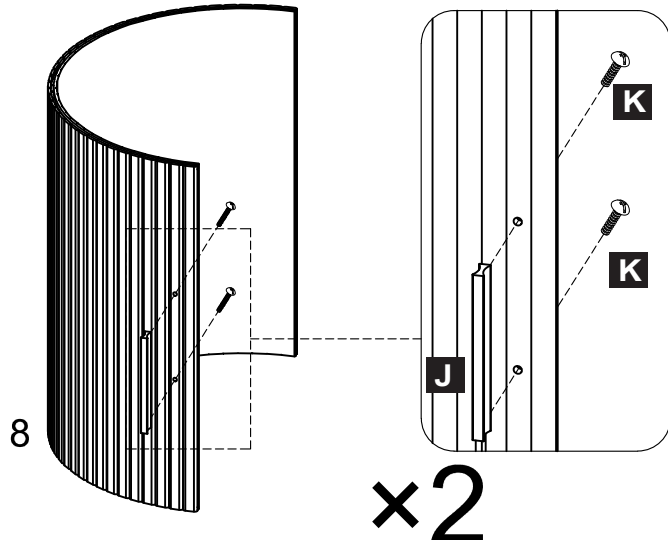


6

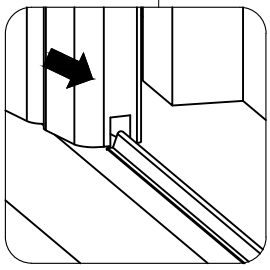
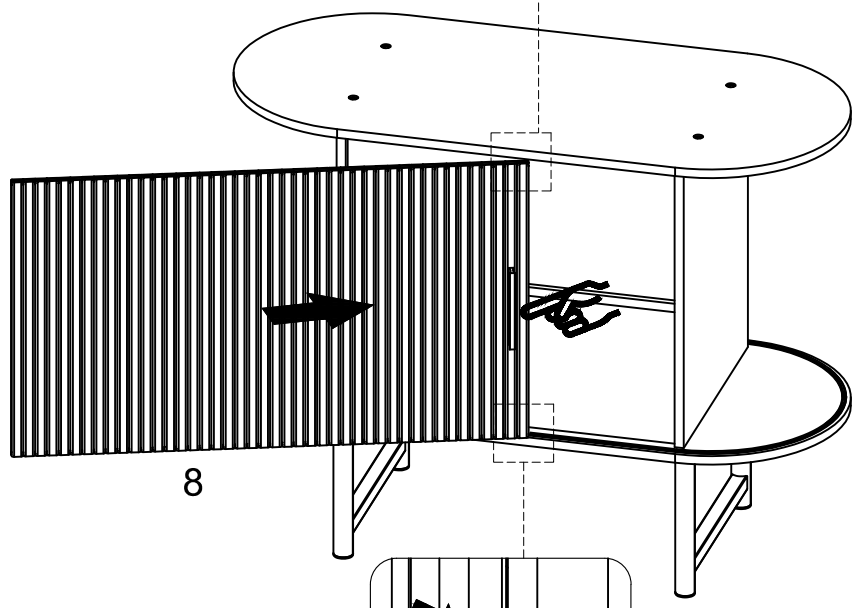
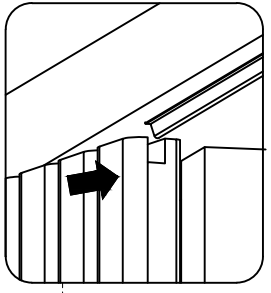
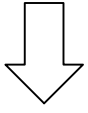
	G ×8		H ×8 M3×14
---	-------------	---	----------------------


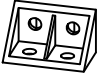


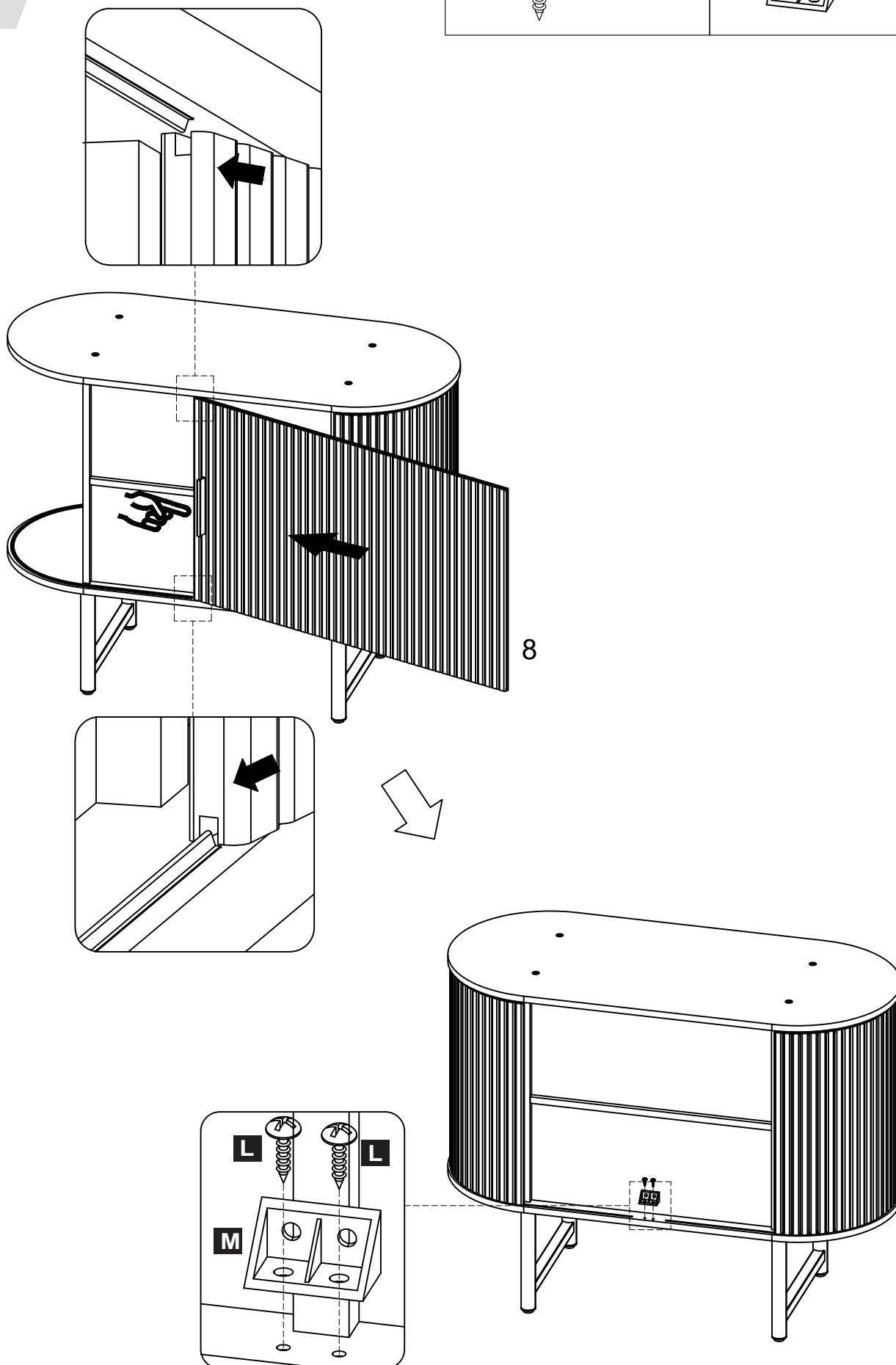
	J × 2
	110
	K × 4
	M4 × 12

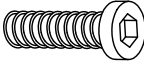
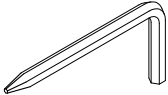


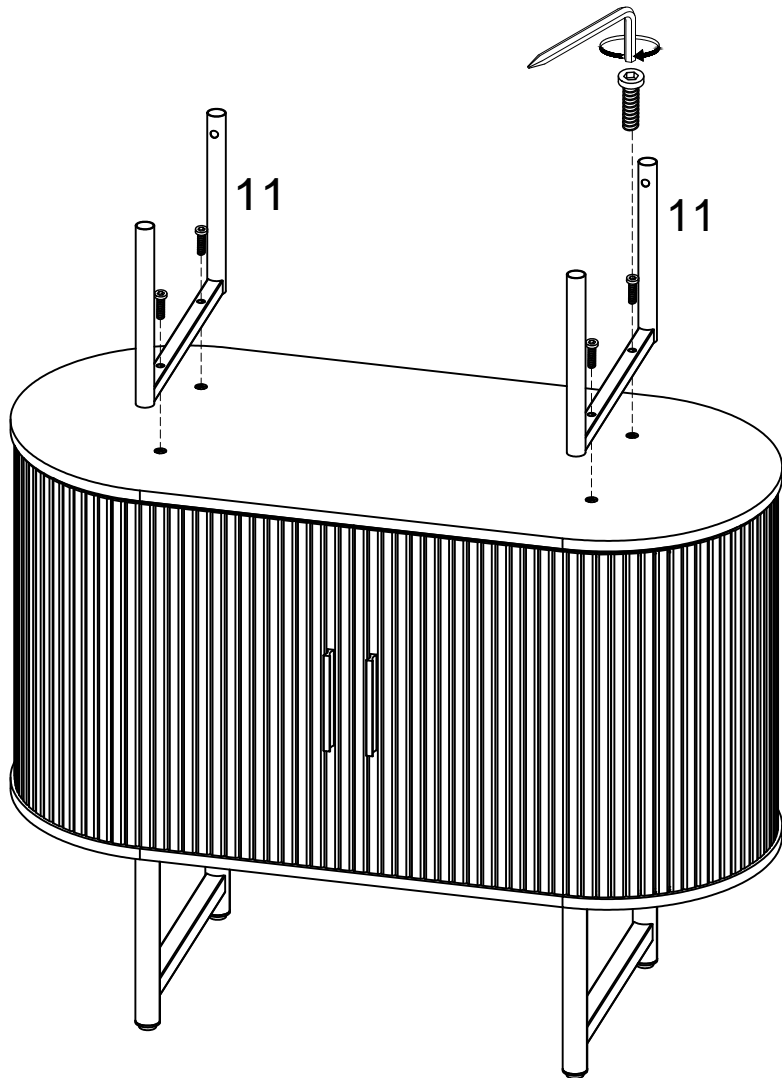
× 2



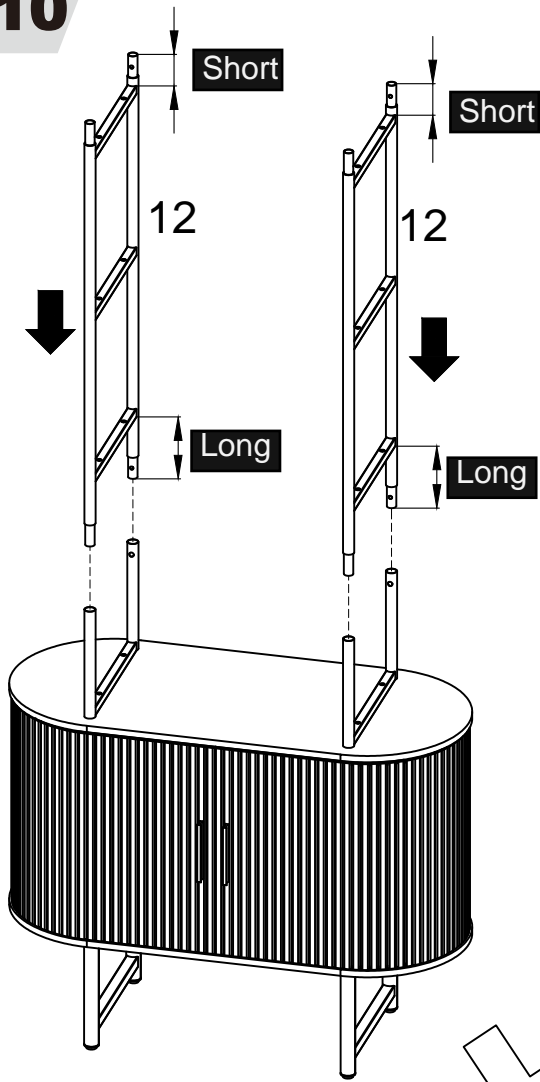
	L x2		M x1
	M4x14		


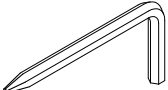


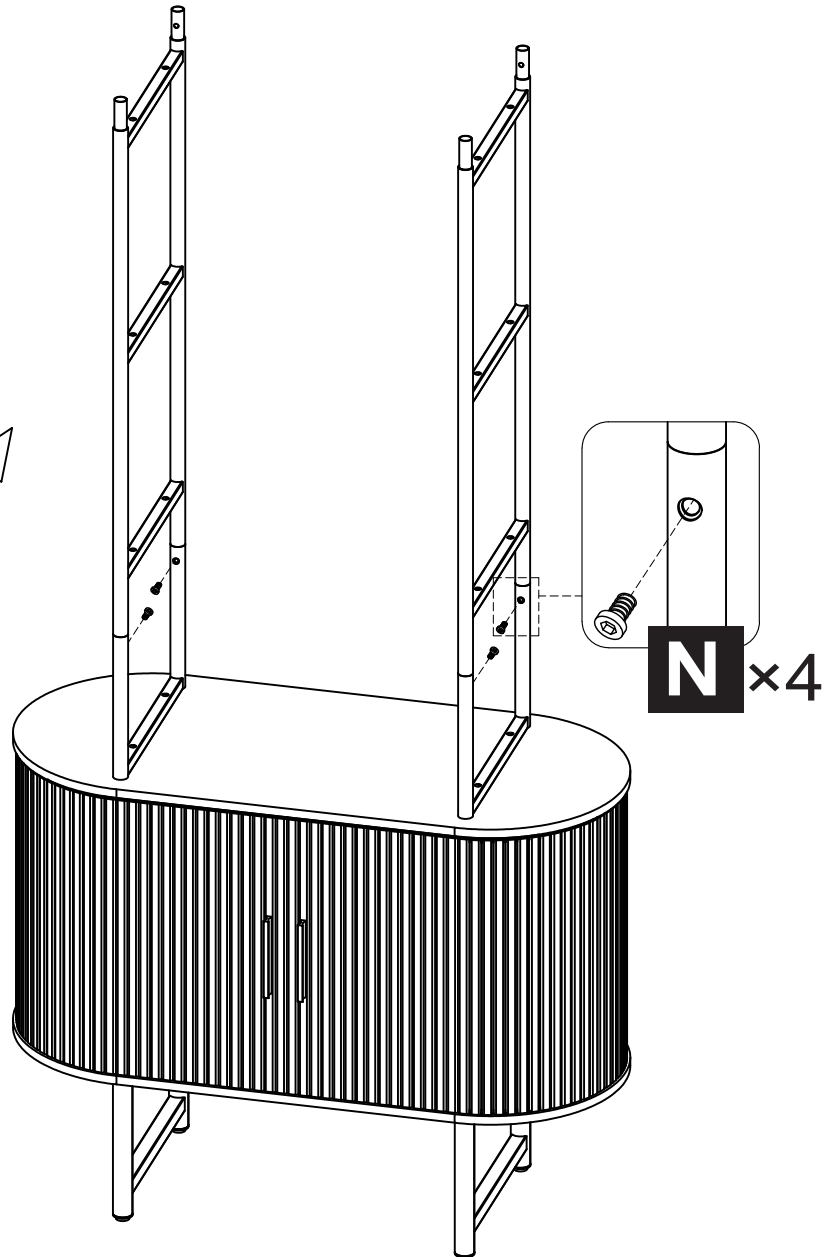
	P x4		S x1
	M6 x 25		M4

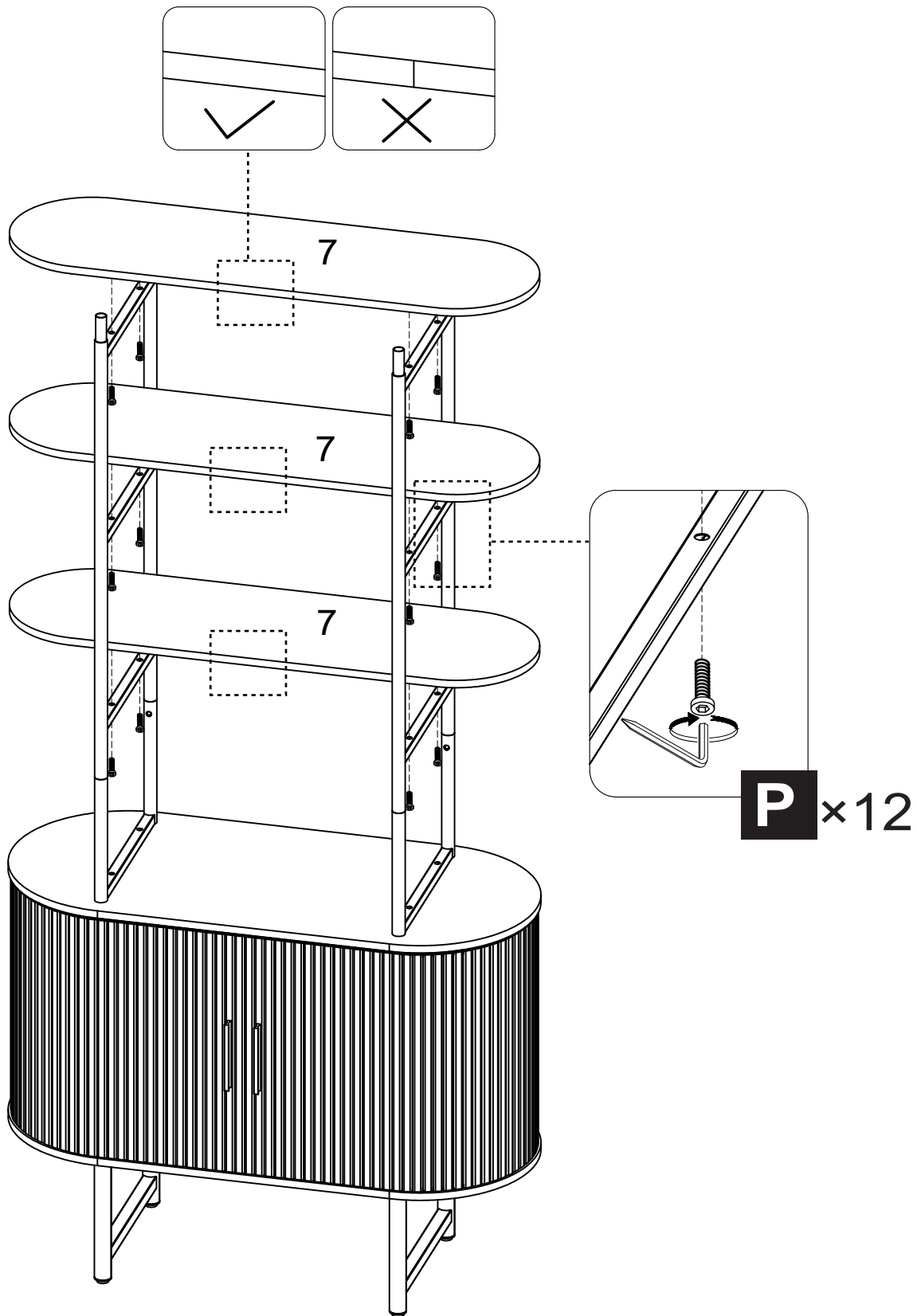
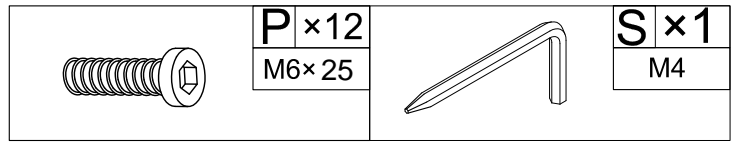


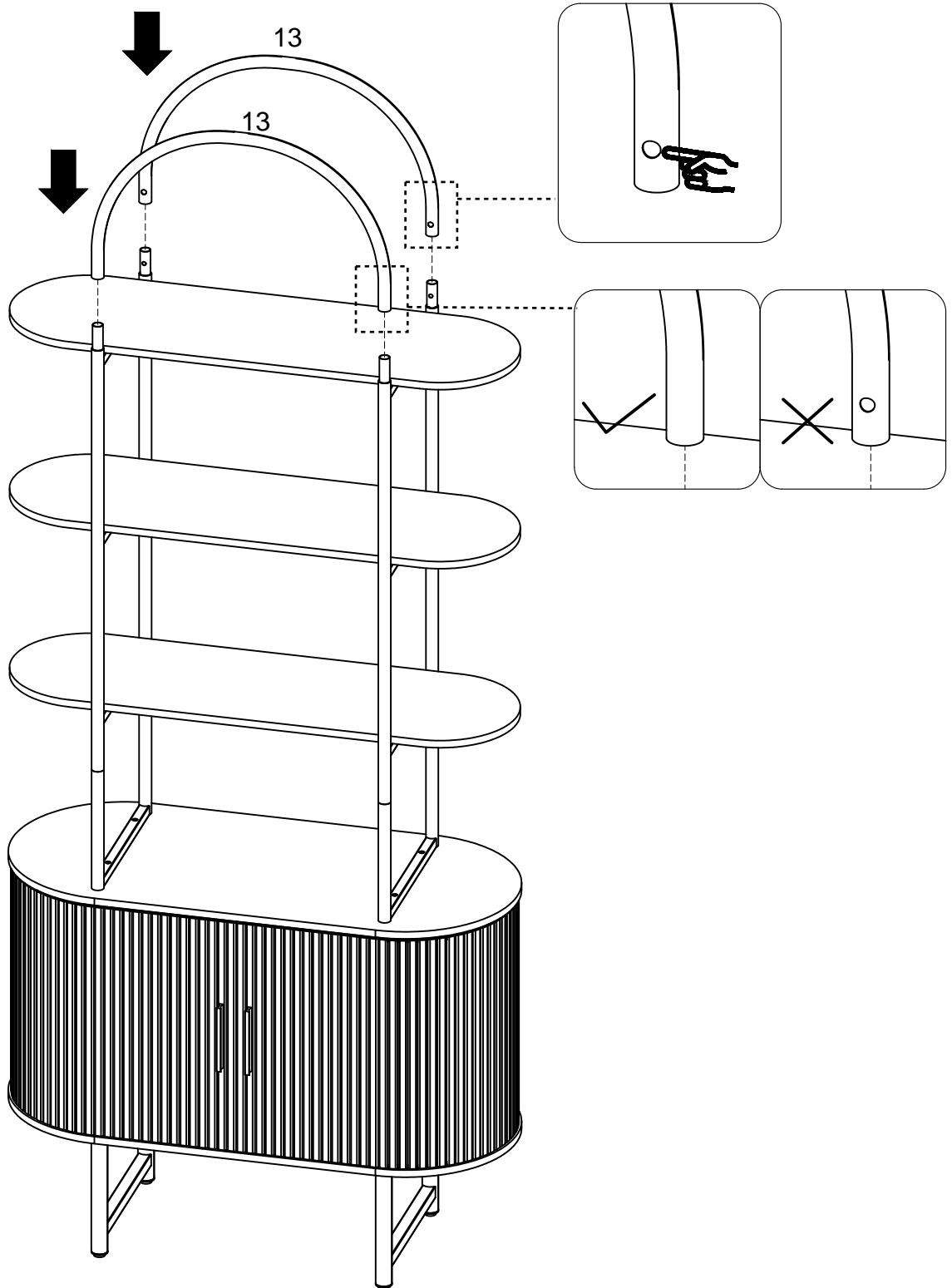
10

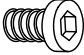
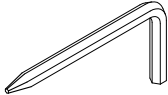


	N × 4		S × 1
	M6 × 12		M4







	N x4		S x1
	M6x12		M4

