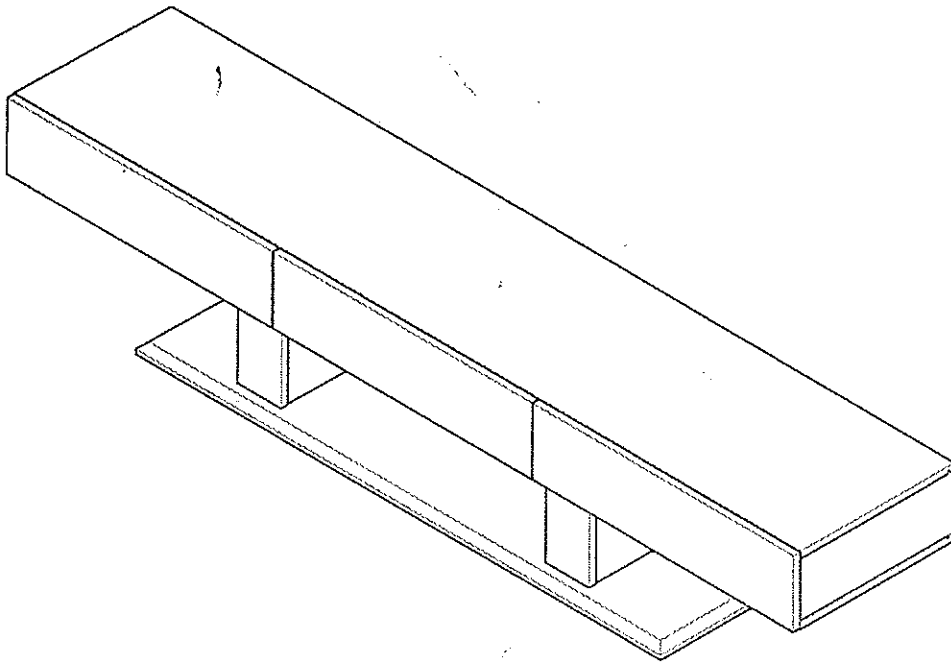


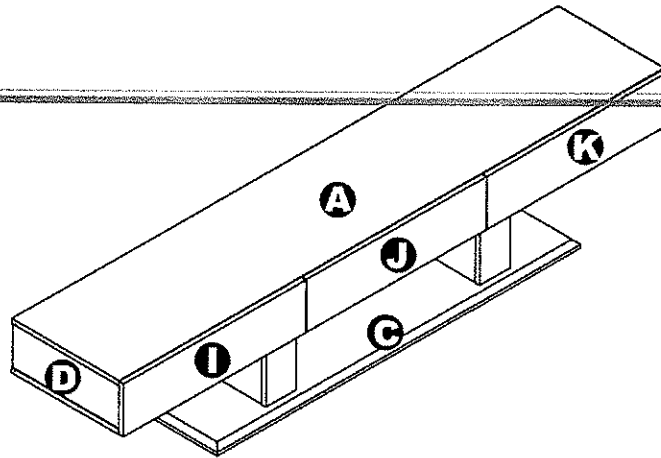
# ASSEMBLY INSTRUCTIONS

---



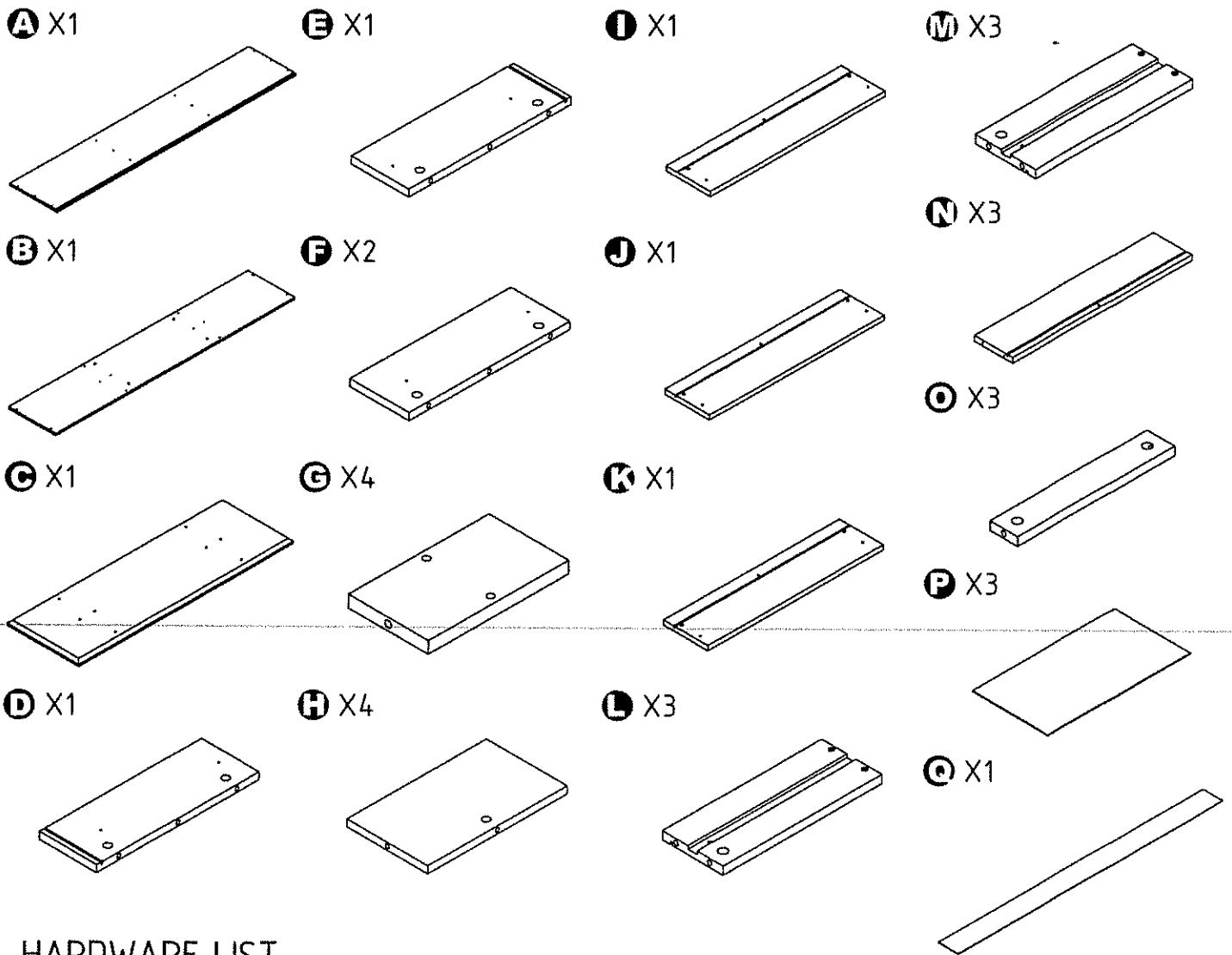
TV STAND

# IV STAND

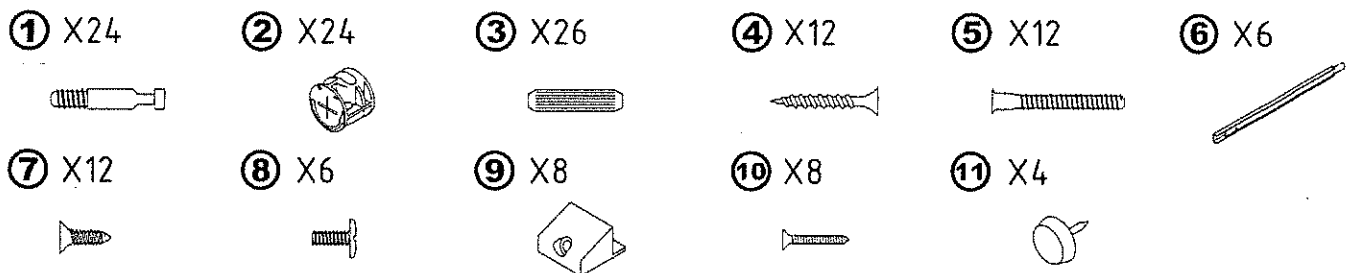


**DIMENSIONS**  
 Width - 70.87"  
 Depth - 15.75"  
 Height - 13.98"

## PARTS LIST

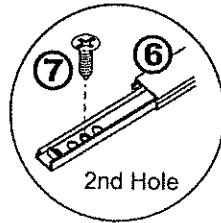


## HARDWARE LIST

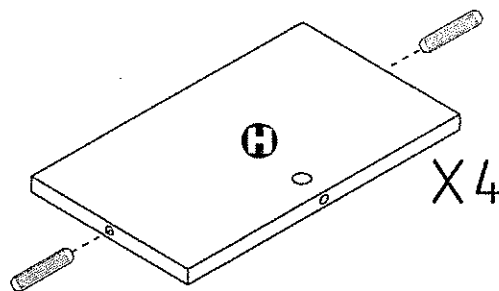
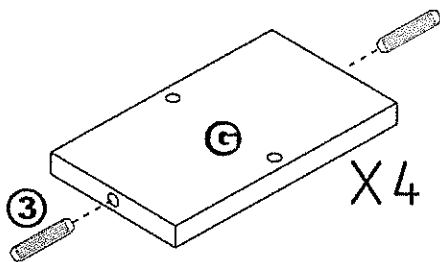
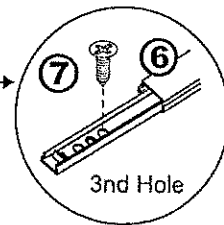
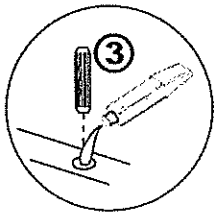
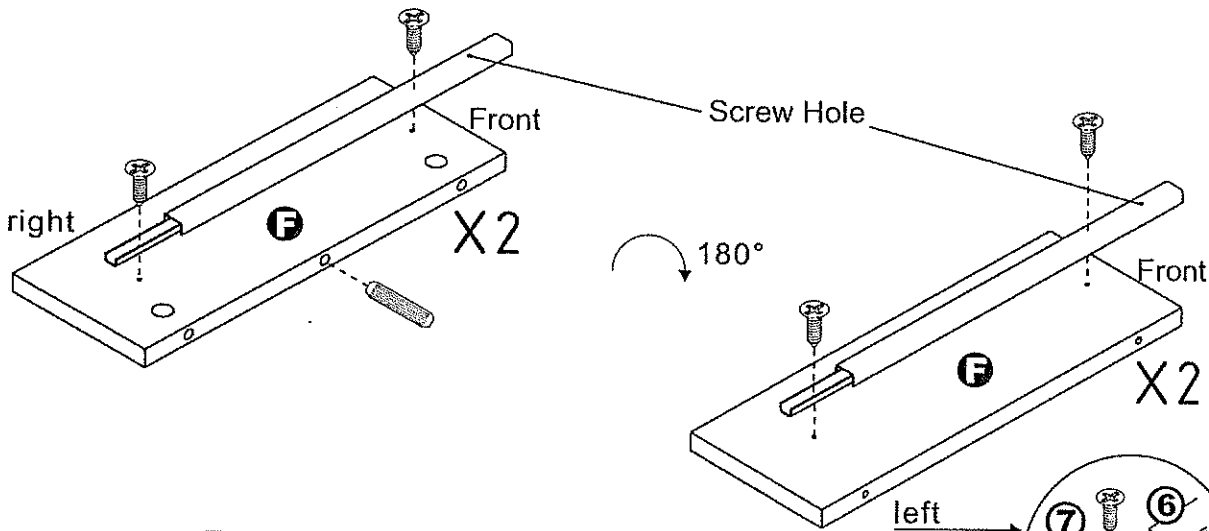
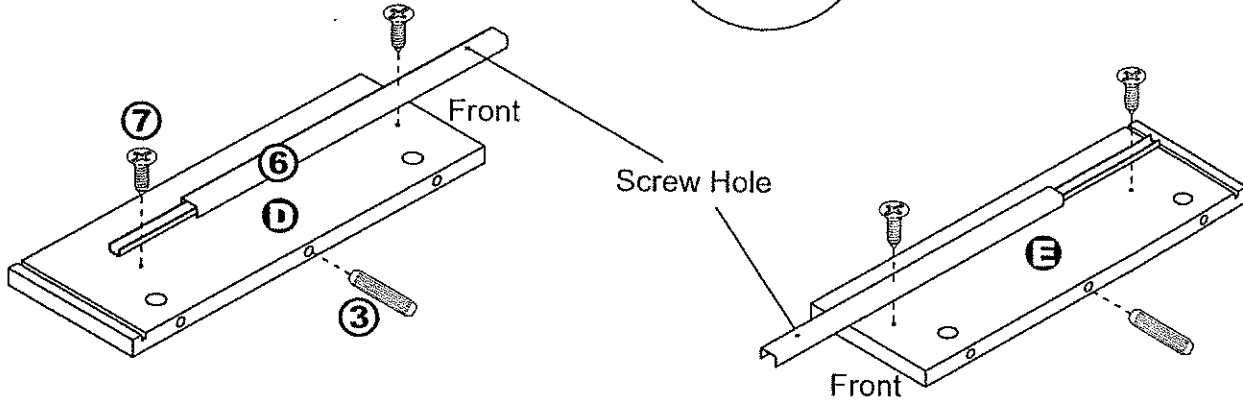


# ASSEMBLY INSTRUCTIONS

## Step 1.

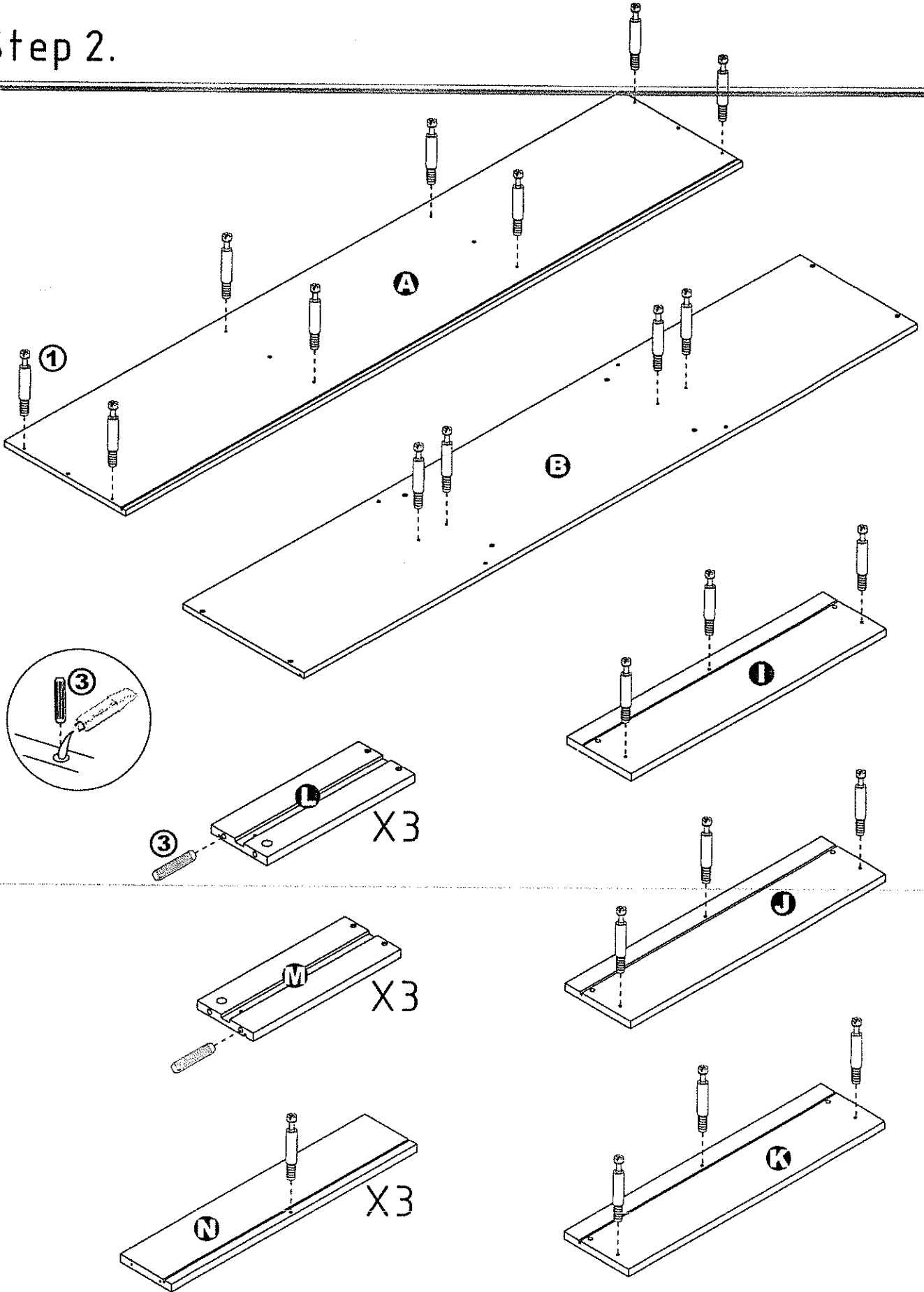


Push runner to see screw holes on the other end



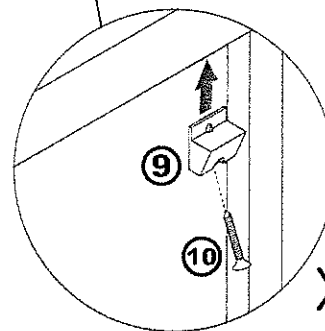
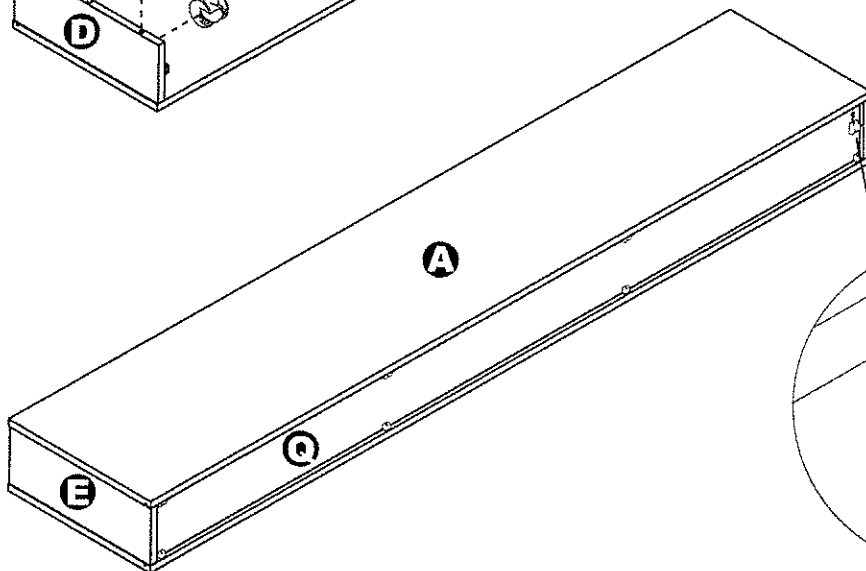
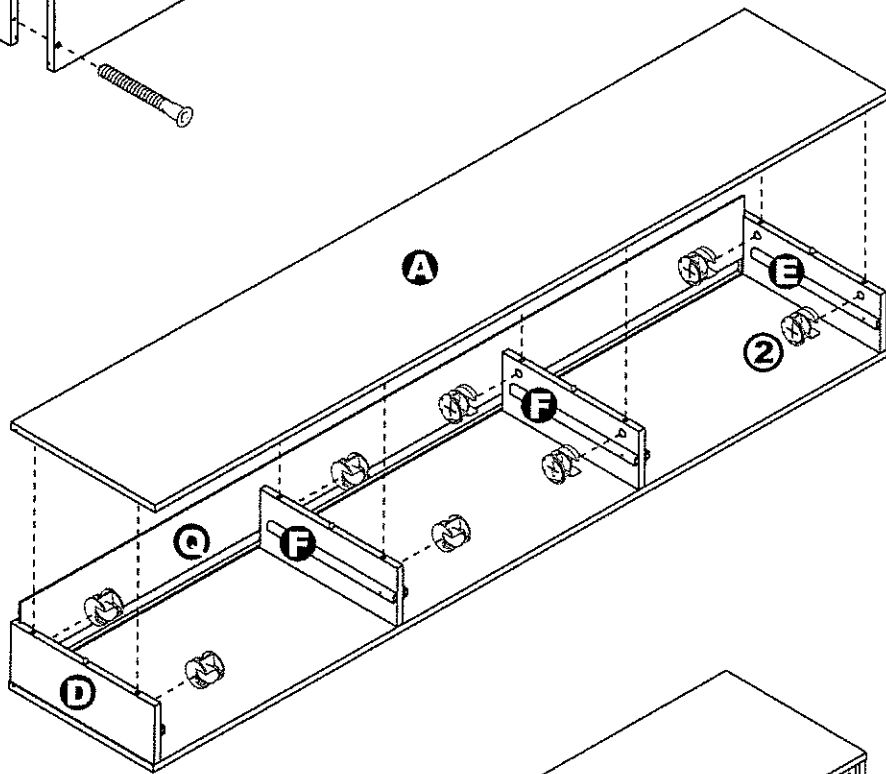
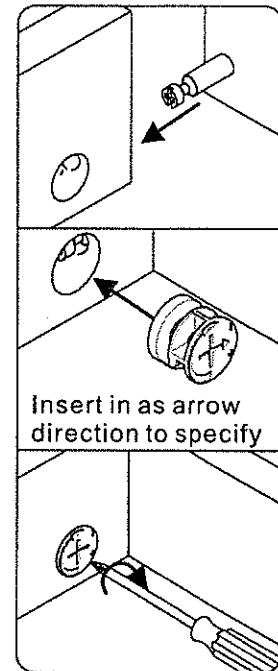
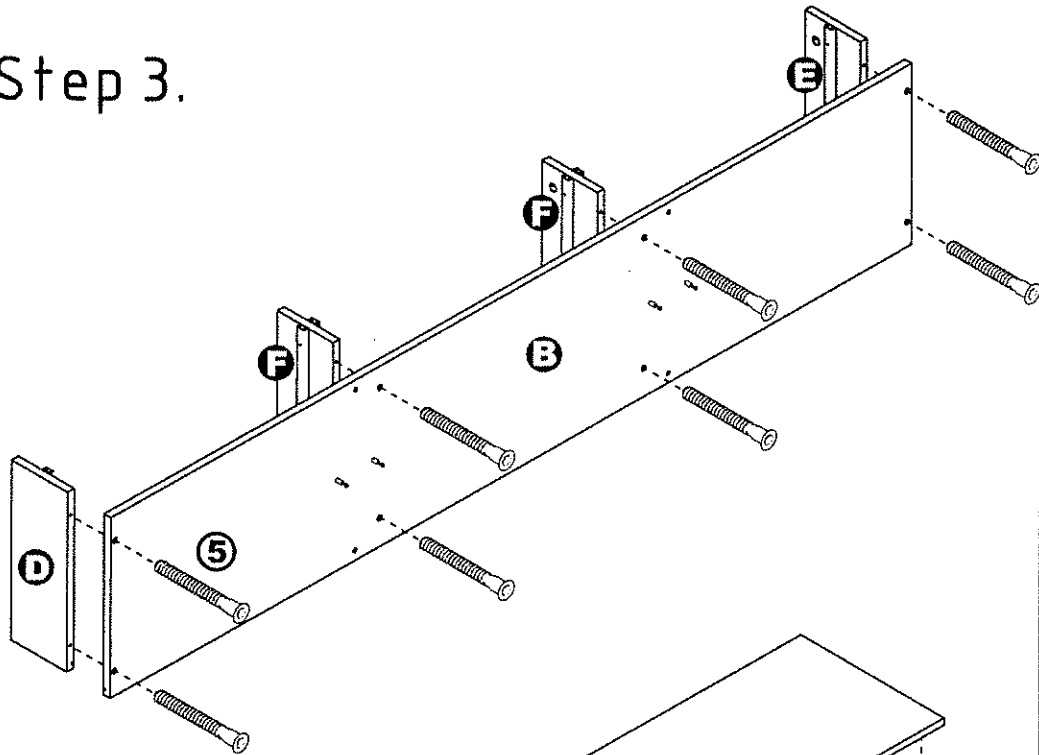
# ASSEMBLY INSTRUCTIONS

## Step 2.



# ASSEMBLY INSTRUCTIONS

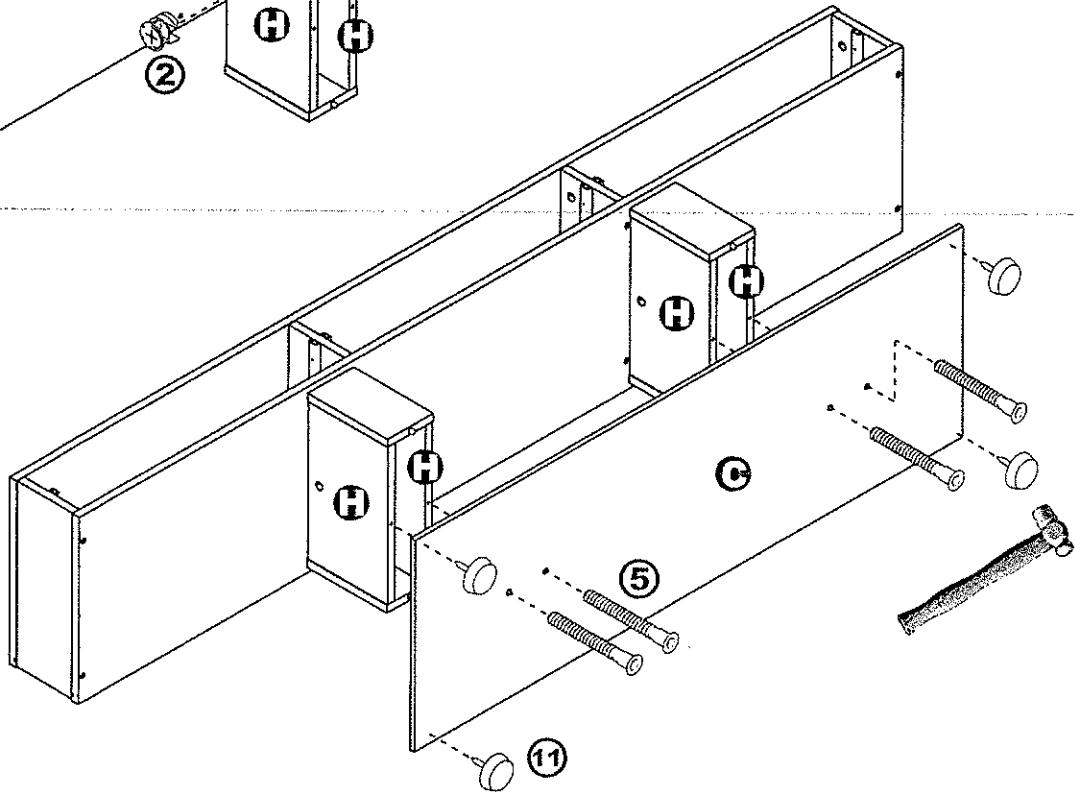
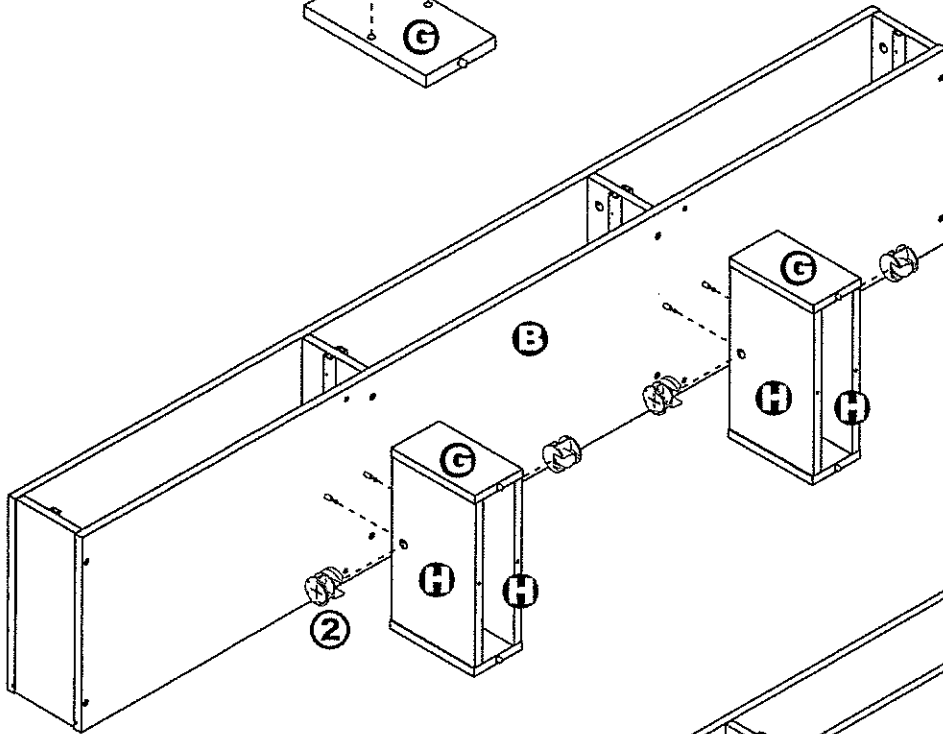
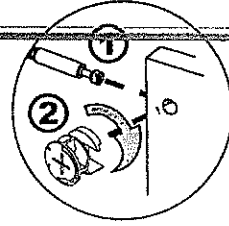
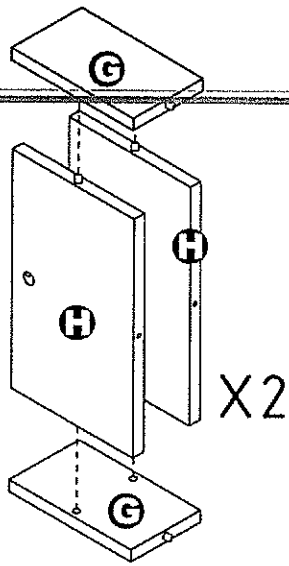
Step 3.



X8

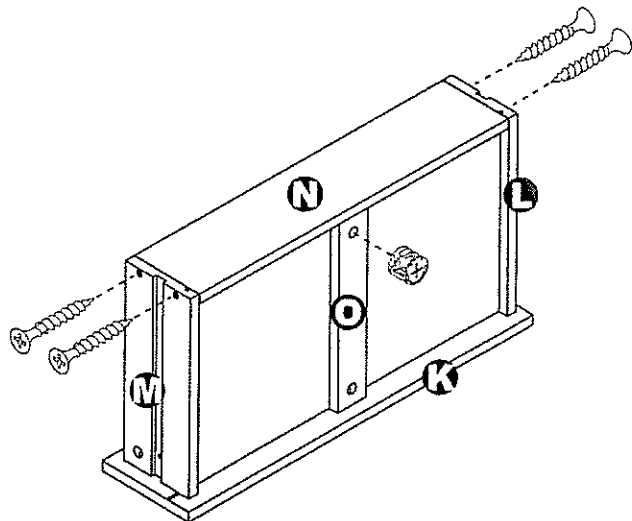
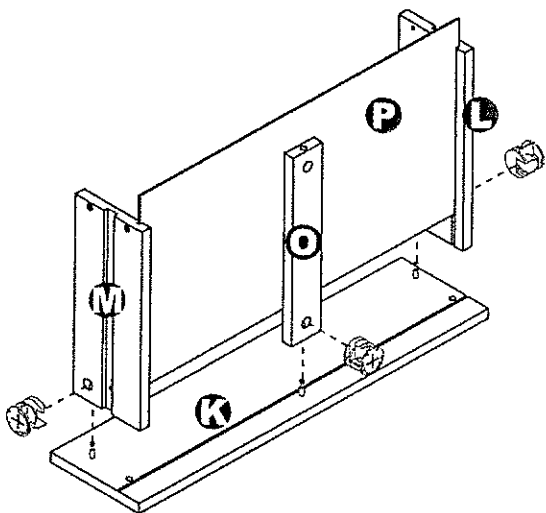
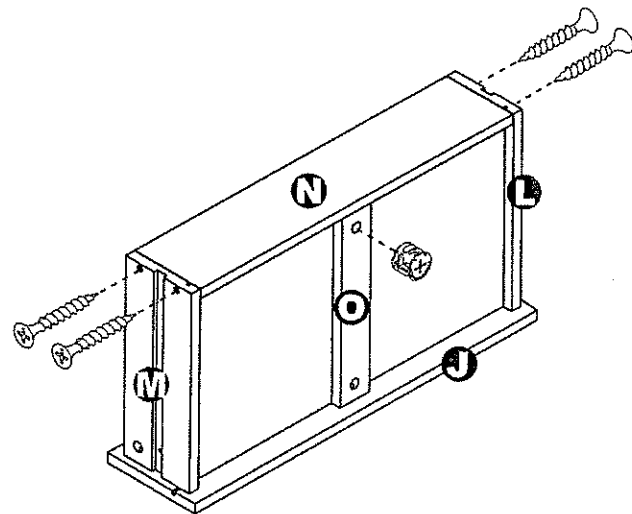
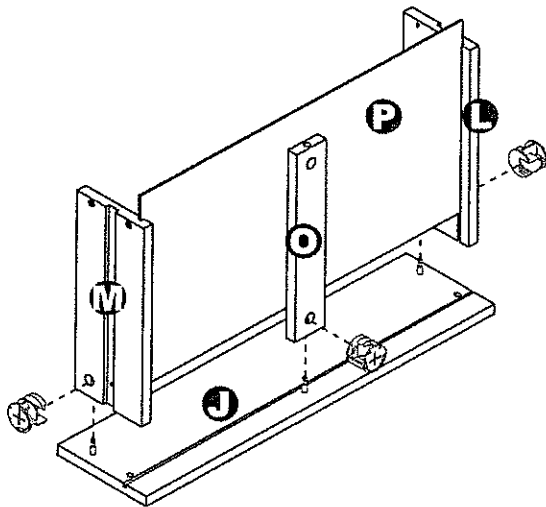
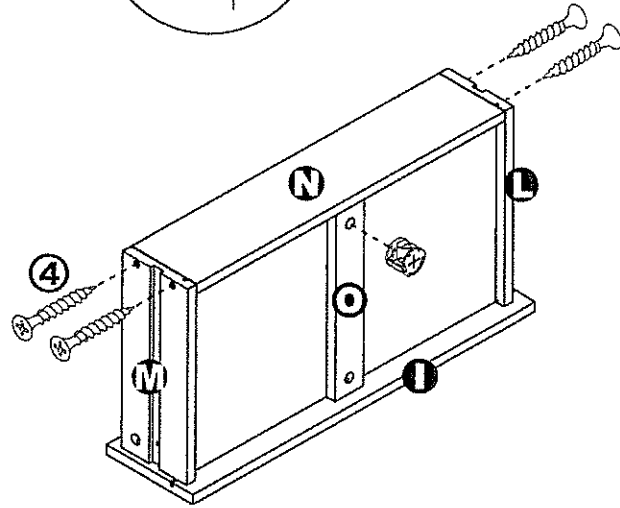
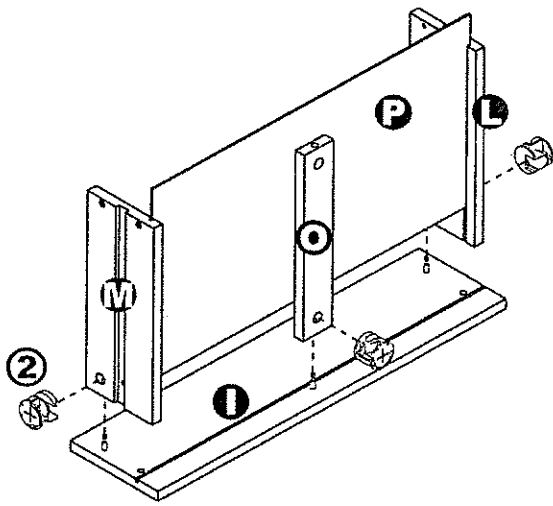
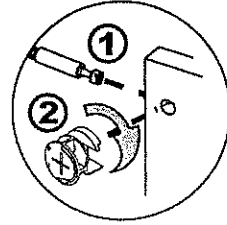
# ASSEMBLY INSTRUCTIONS

Step 4.



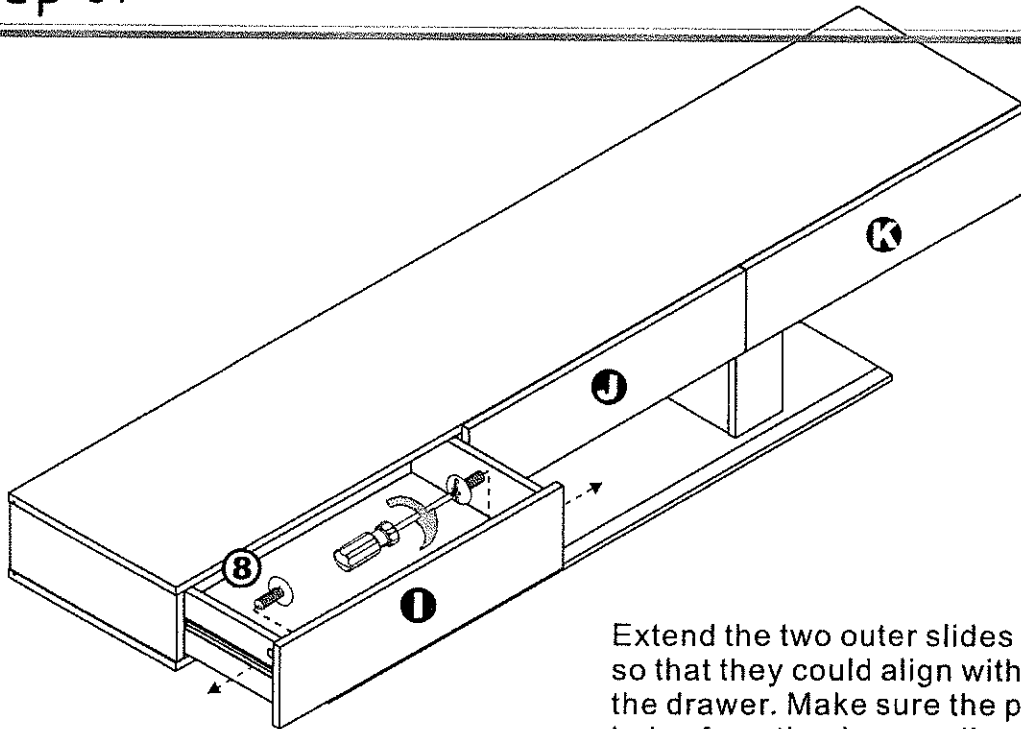
# ASSEMBLY INSTRUCTIONS

Step 5.



# ASSEMBLY INSTRUCTIONS

## Step 6.



Extend the two outer slides of the runners so that they could align with the sides of the drawer. Make sure the pre-drilled holes from the drawer align with the screw holes of the outer slides. Secure two screws from the inside of the drawer using a Phillips screwdriver to tighten them to the outer slides.

## ASSEMBLY IS COMPLETED

Make sure the product is rested on a flat surface and does not feel loose or wobbly. If it does, double check that the bolts/screws are secured and properly tightened.