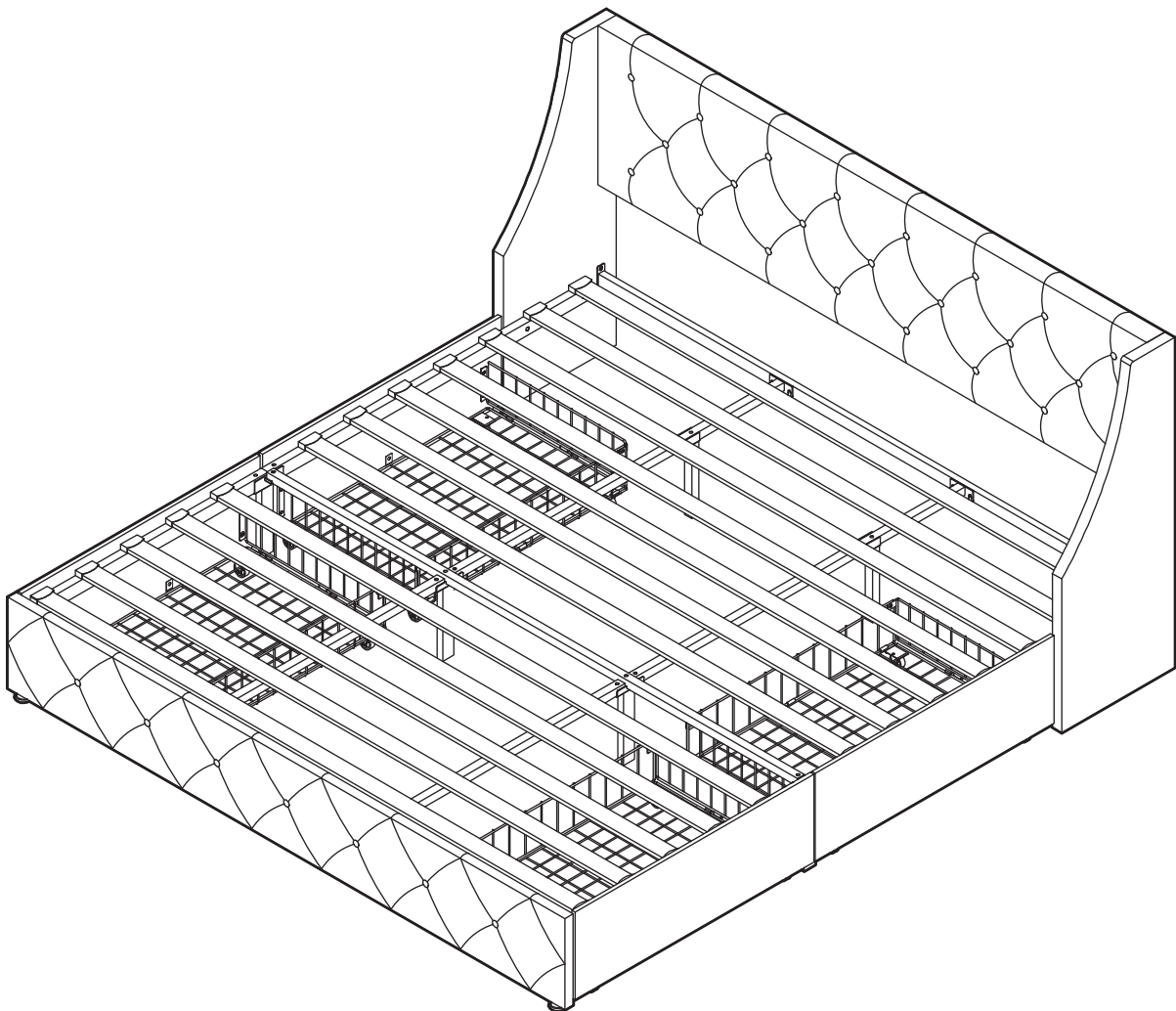


PLATFORM BED KBMM0003

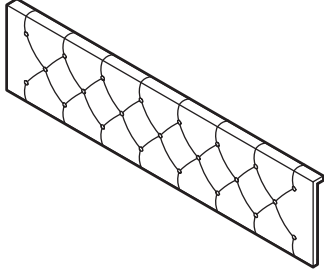
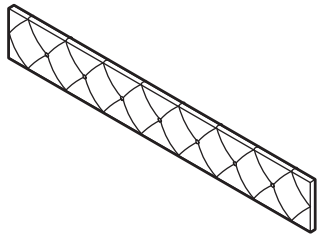
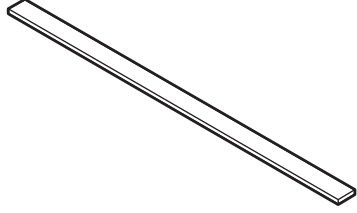
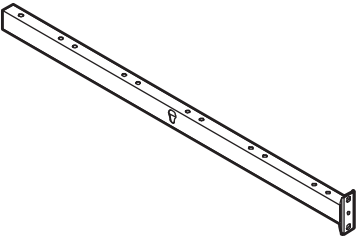
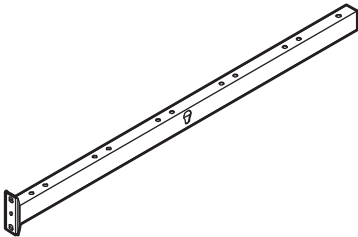
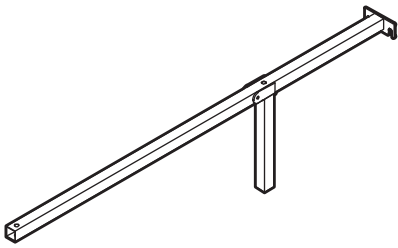
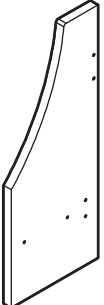
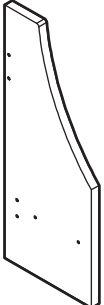
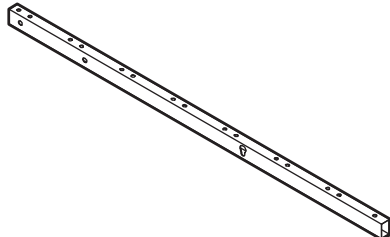
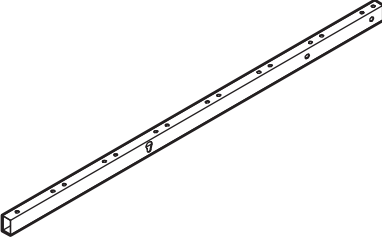
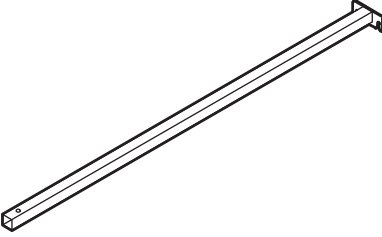
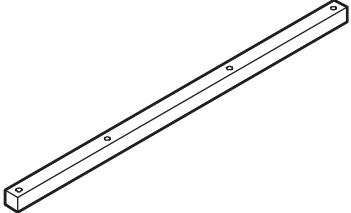
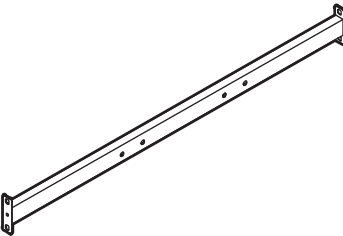
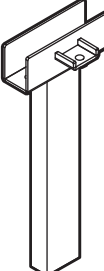
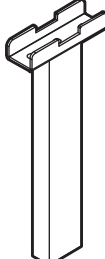
ORIGINAL INSTRUCTION MANUAL

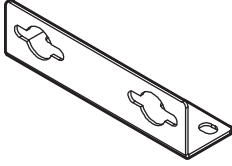
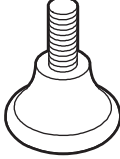
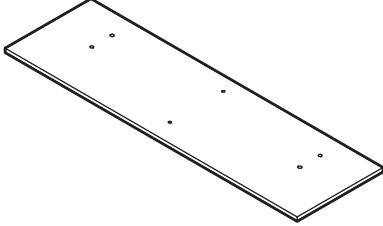
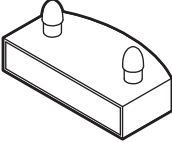
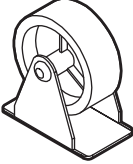
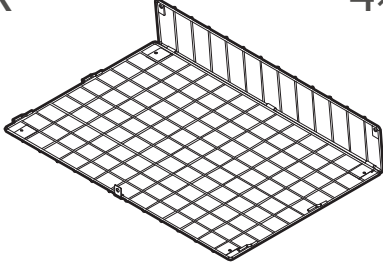
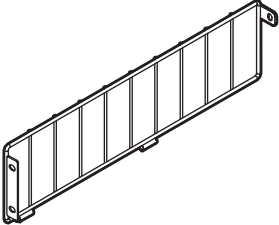
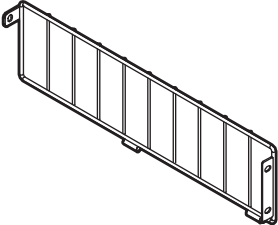
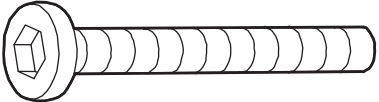
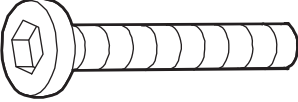
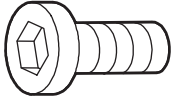
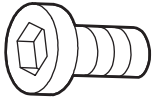
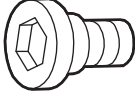
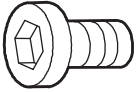
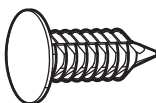
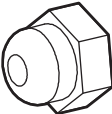


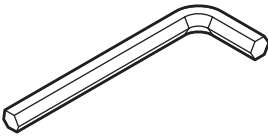



DEAR CUSTOMER,

Thank you for choosing our product. Please read this manual carefully before assembling or using the product, to avoid damage caused by improper use. If the product is passed on to third parties, this manual has to be passed on along with the product. For any question don't hesitate to contact us.

PARTS LIST

<p>A 1×</p> 	<p>B 1×</p> 	<p>C 12×</p> 
<p>D1 1×</p> 	<p>D2 1×</p> 	<p>E 2×</p> 
<p>F1 1×</p> 	<p>F2 1×</p> 	<p>G1 1×</p> 
<p>G2 1×</p> 	<p>H 2×</p> 	<p>I 1×</p> 
<p>J 1×</p> 	<p>K 2×</p> 	<p>L 2×</p> 

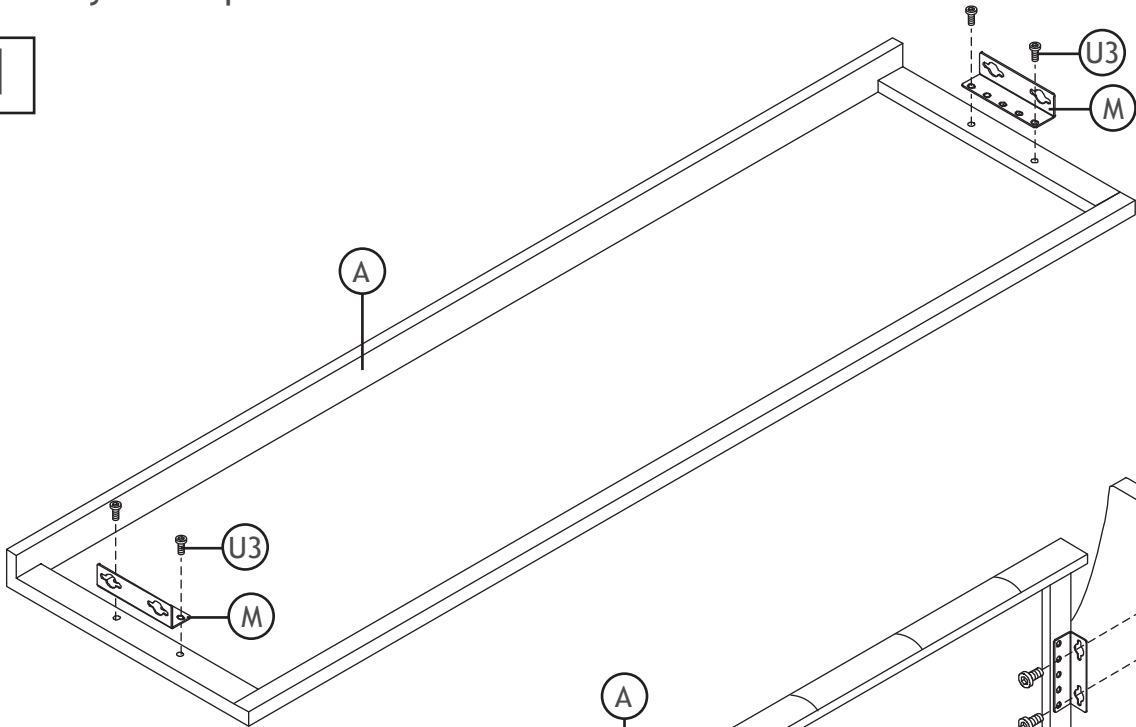
M	2×	N	2×	O	4×
					
P	24×	Q	16×	R	4×
					
S	4×	T	4×	U1	10×
					
				M8×50mm	
U2	8×	U3	20×	U4	4×
					
M8×40mm		M8×25mm		M8×16mm	
U5	4×	U6	28×	U7	16×
					
M8×12mm		M6×12mm			
					
				M6	
W	18×	X	1×	Y	1×
					
M8×φ22mm		M6		M8 Spanner	
					
				M6 Spanner	

ASSEMBLY

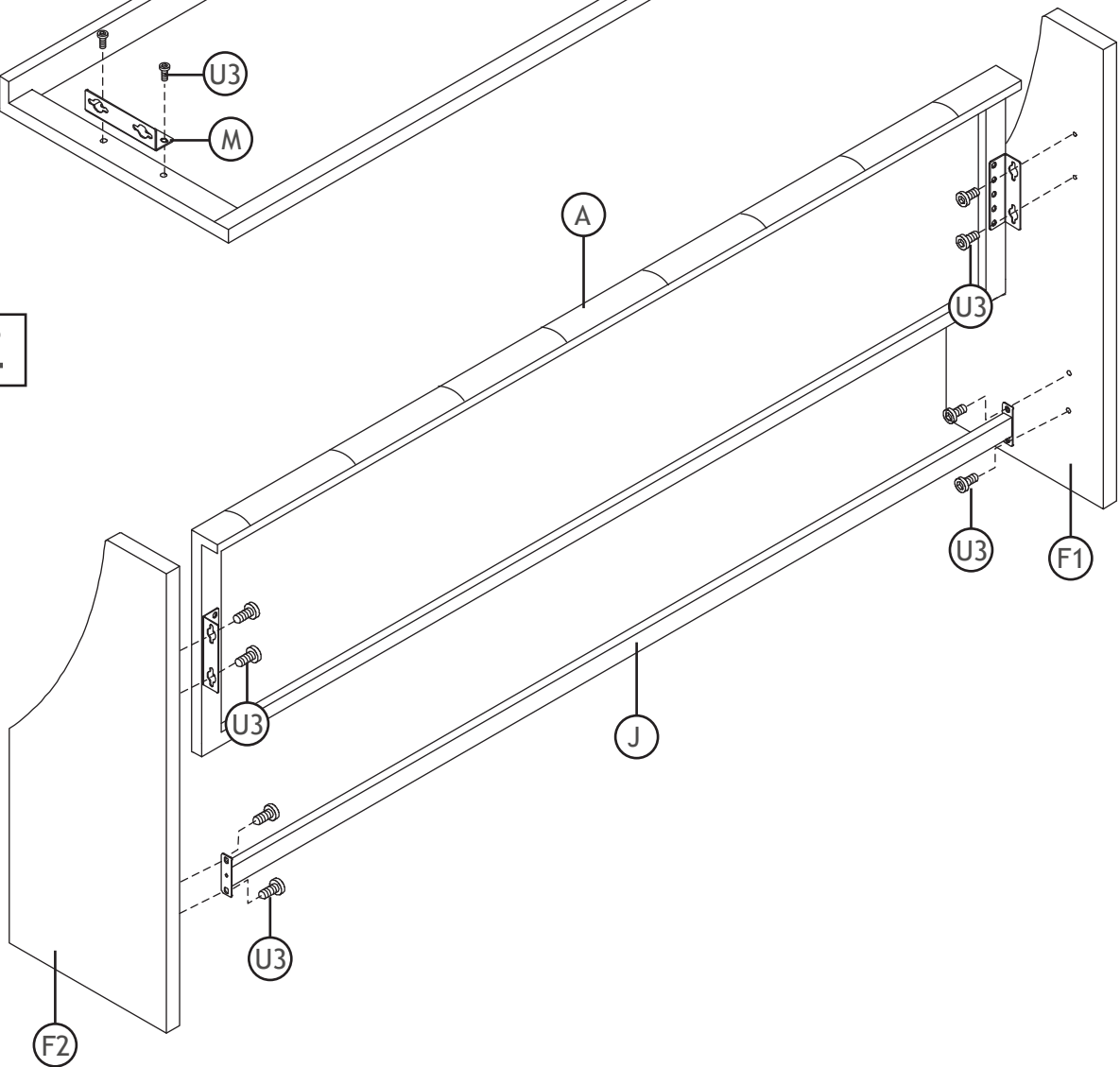
Before your installation, please make sure that you have all the parts listed on the manual. If you find something missing, stop installing and contact your supplier immediately.

NOTE: Please do not completely tighten all the hardware until the entire assembly is completed!

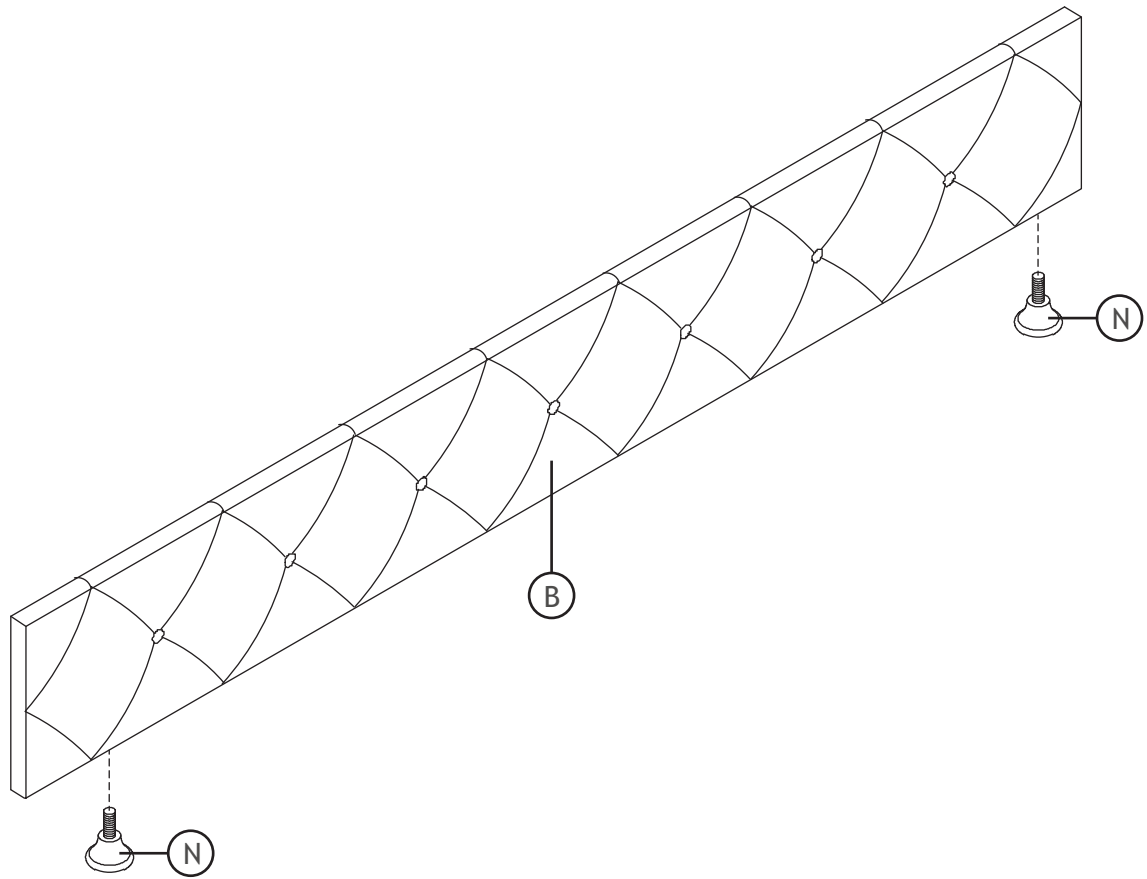
1



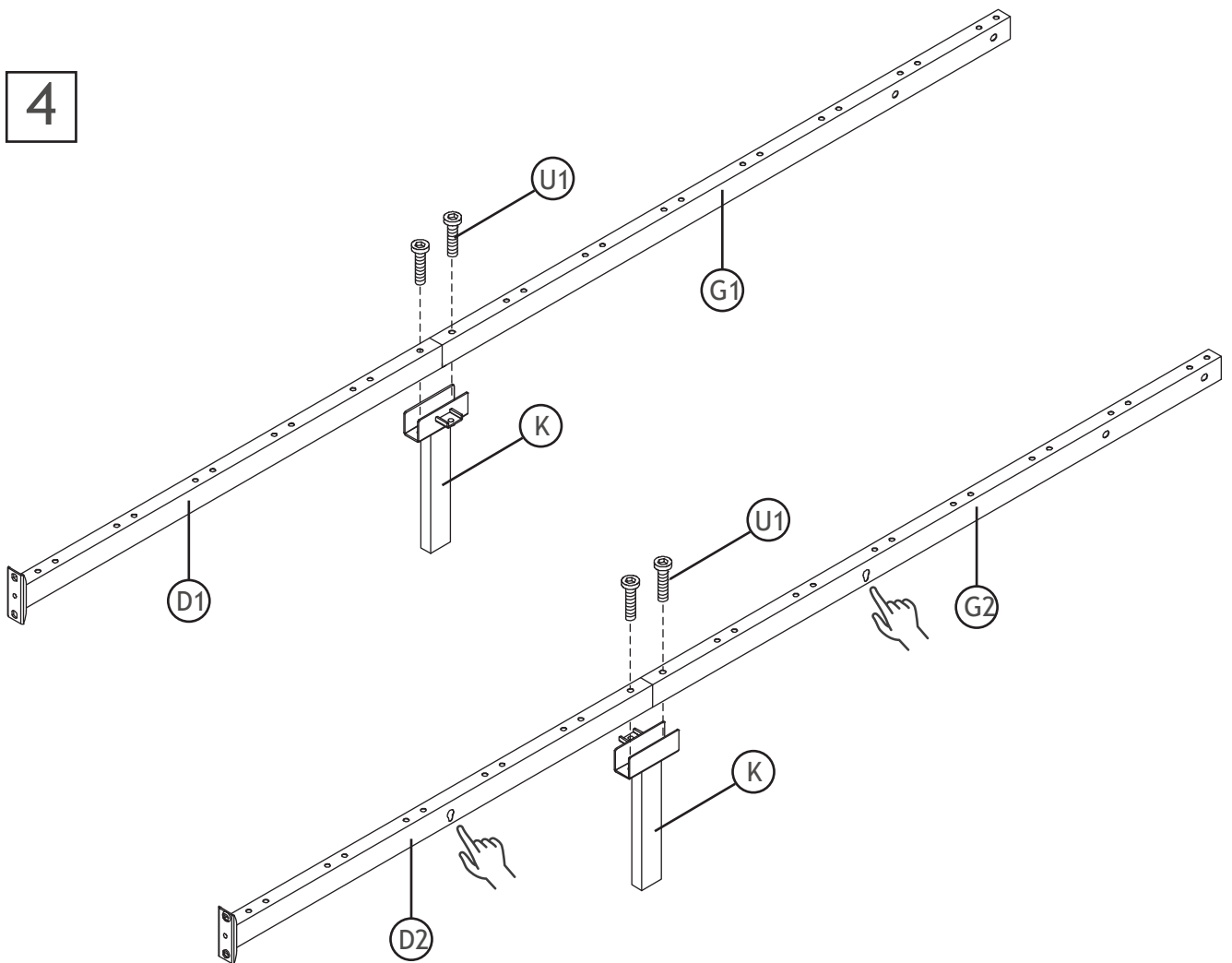
2



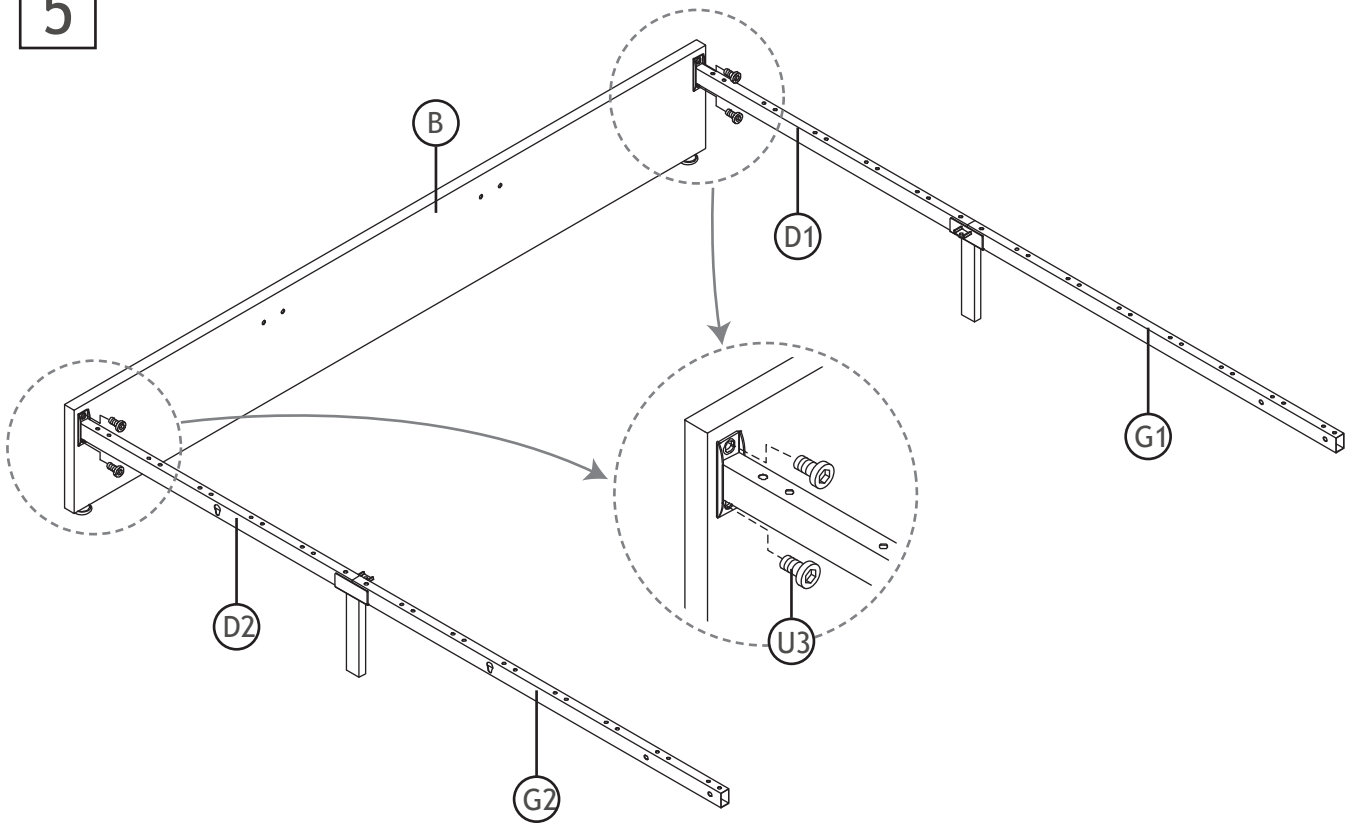
3



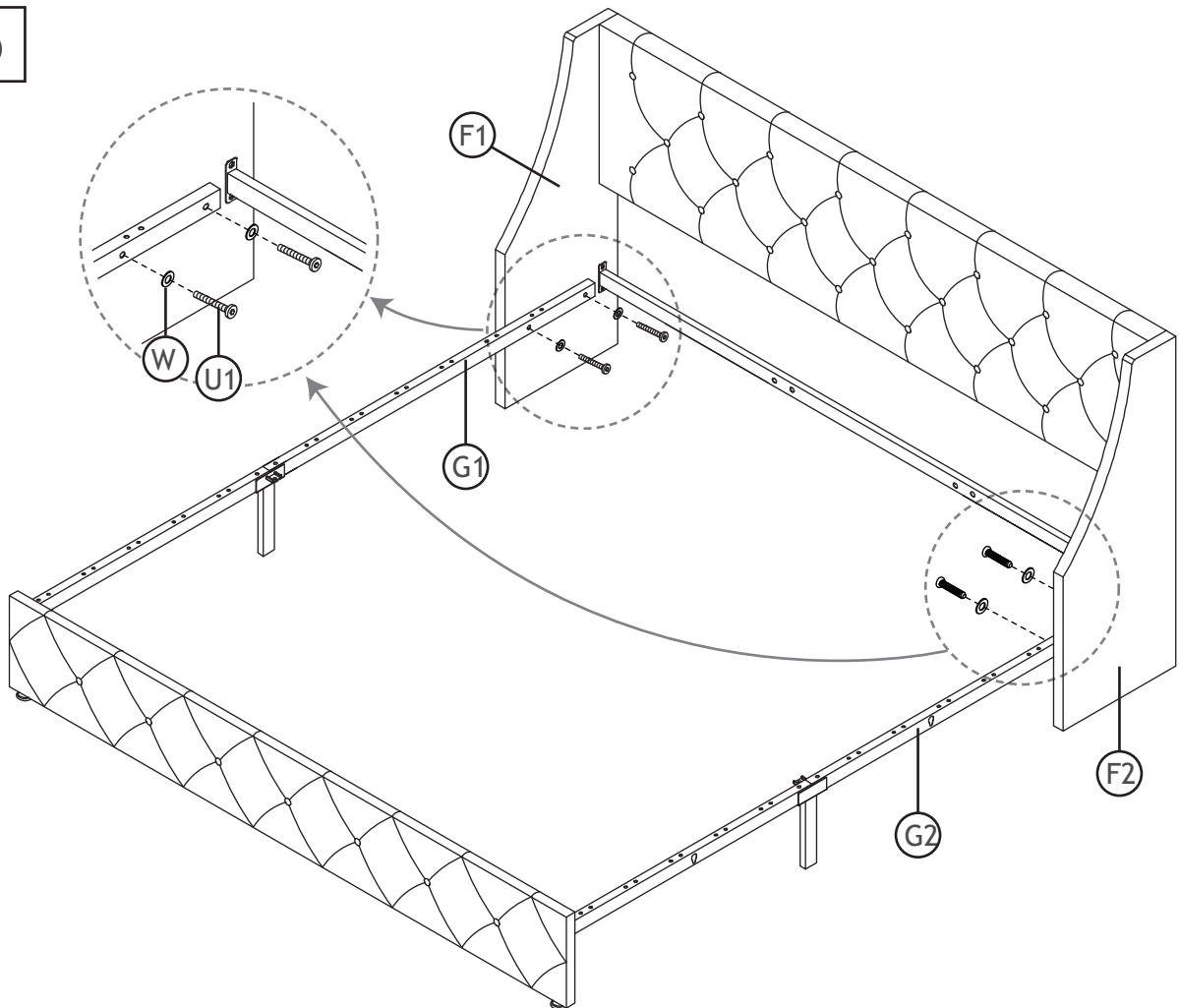
4



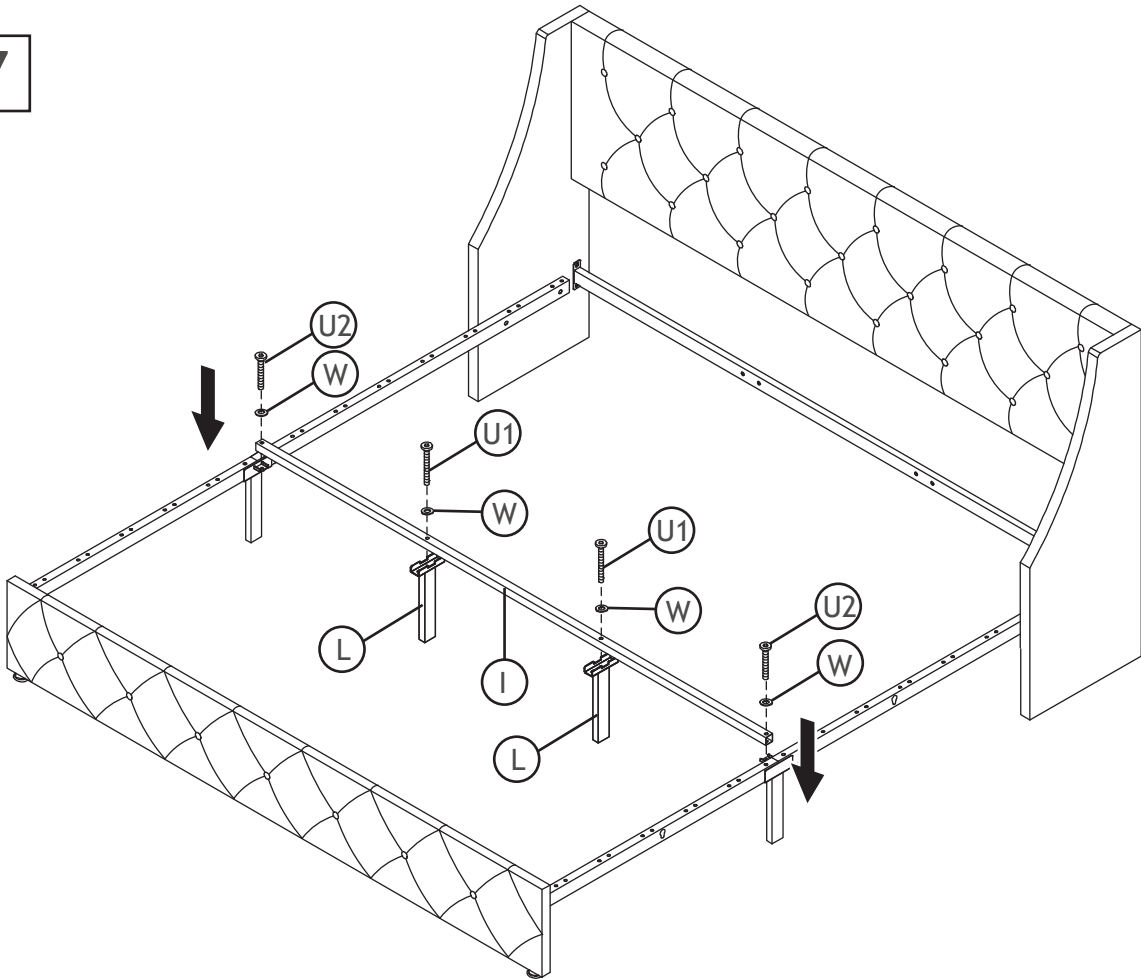
5



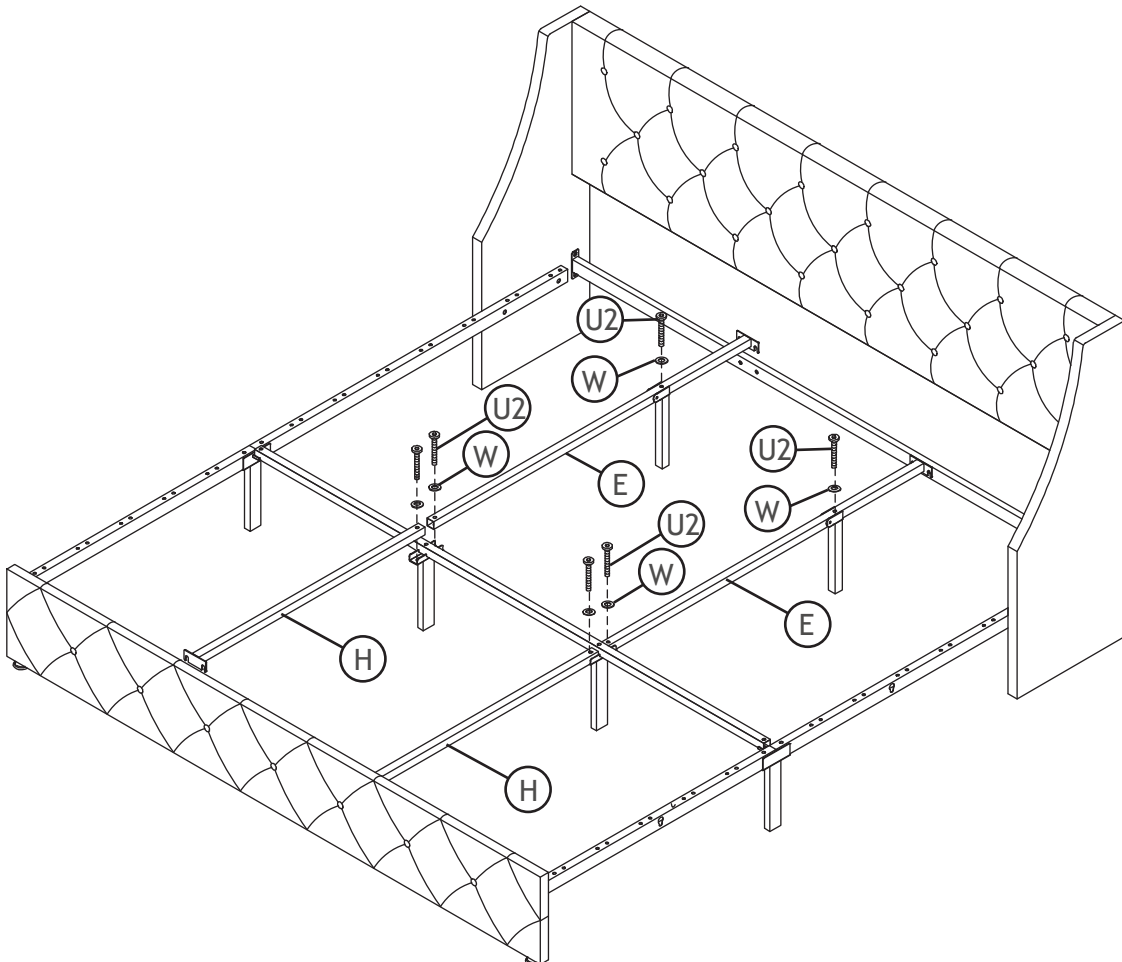
6



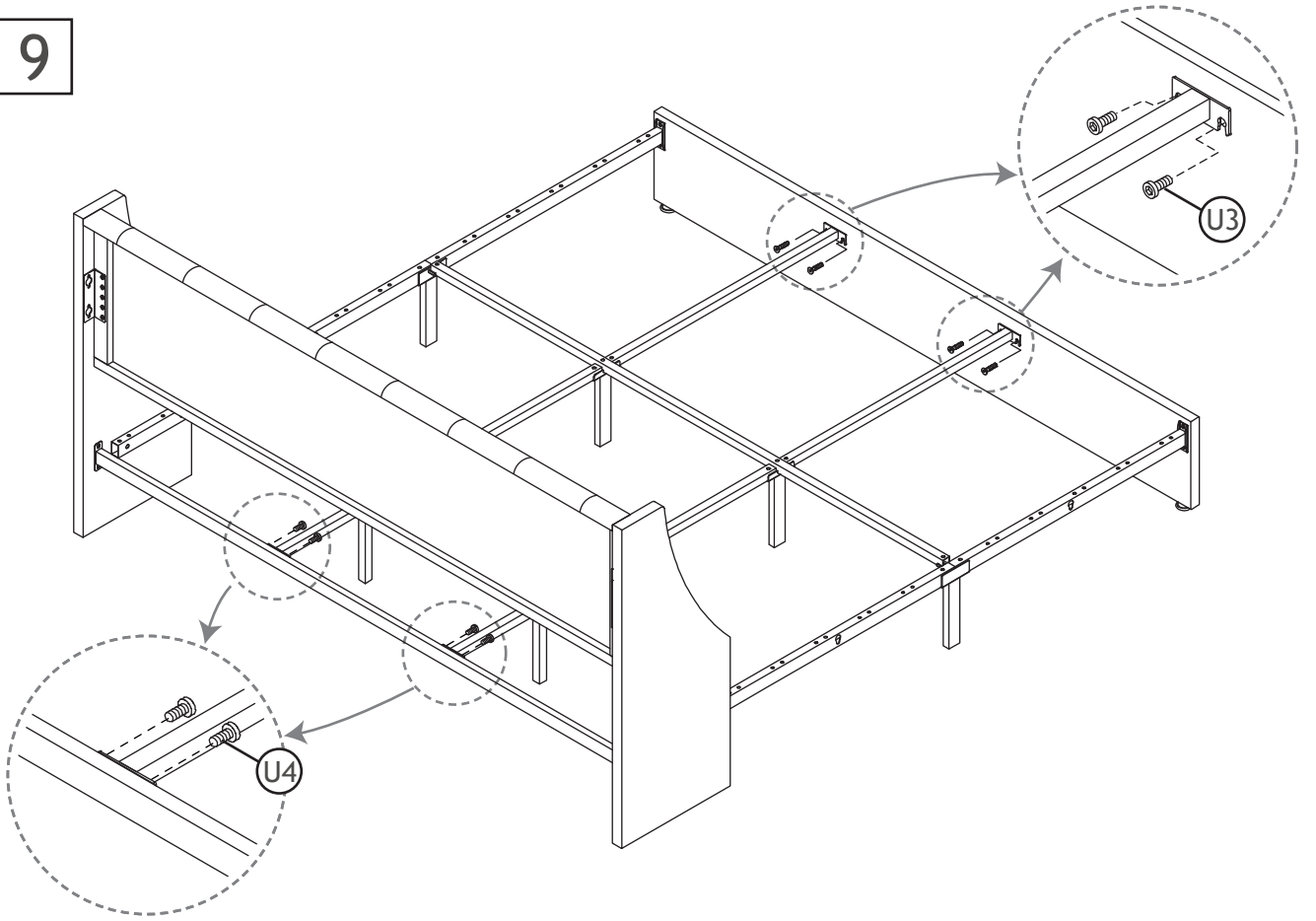
7



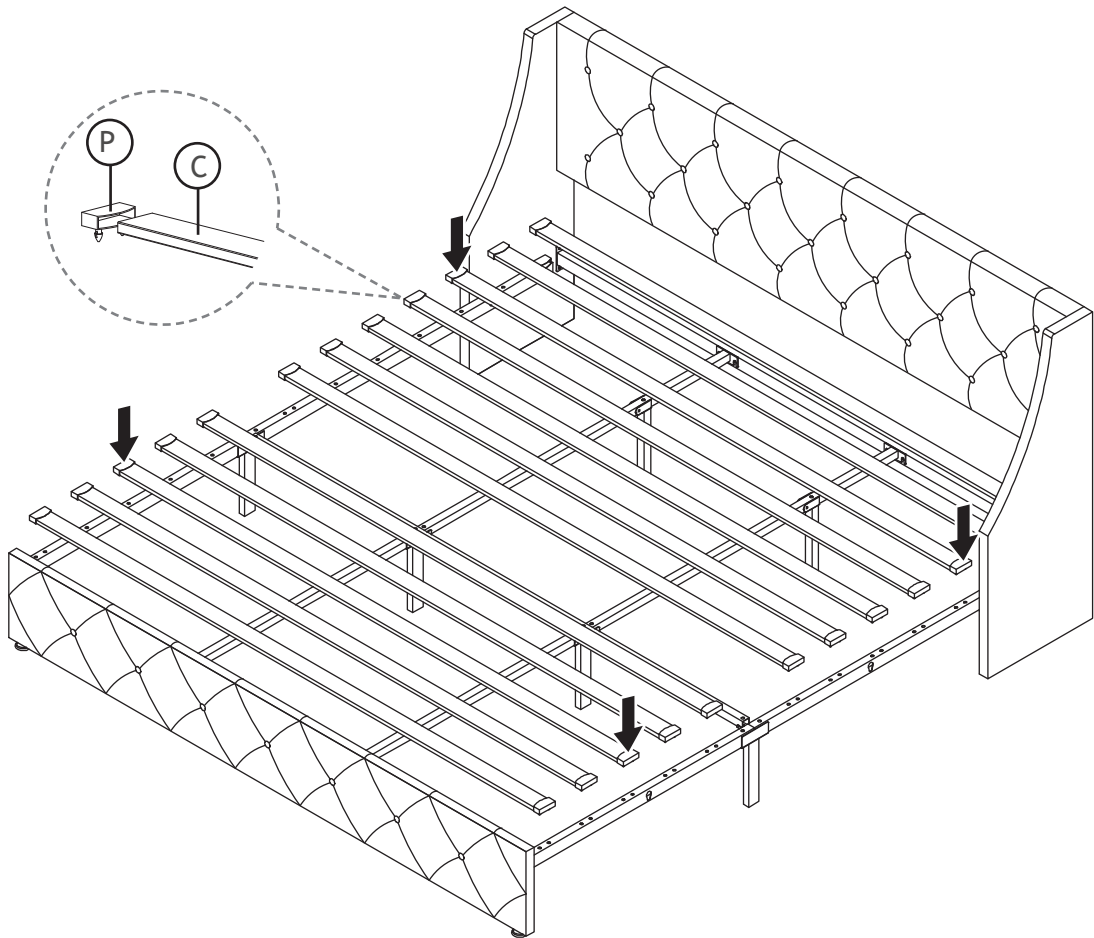
8



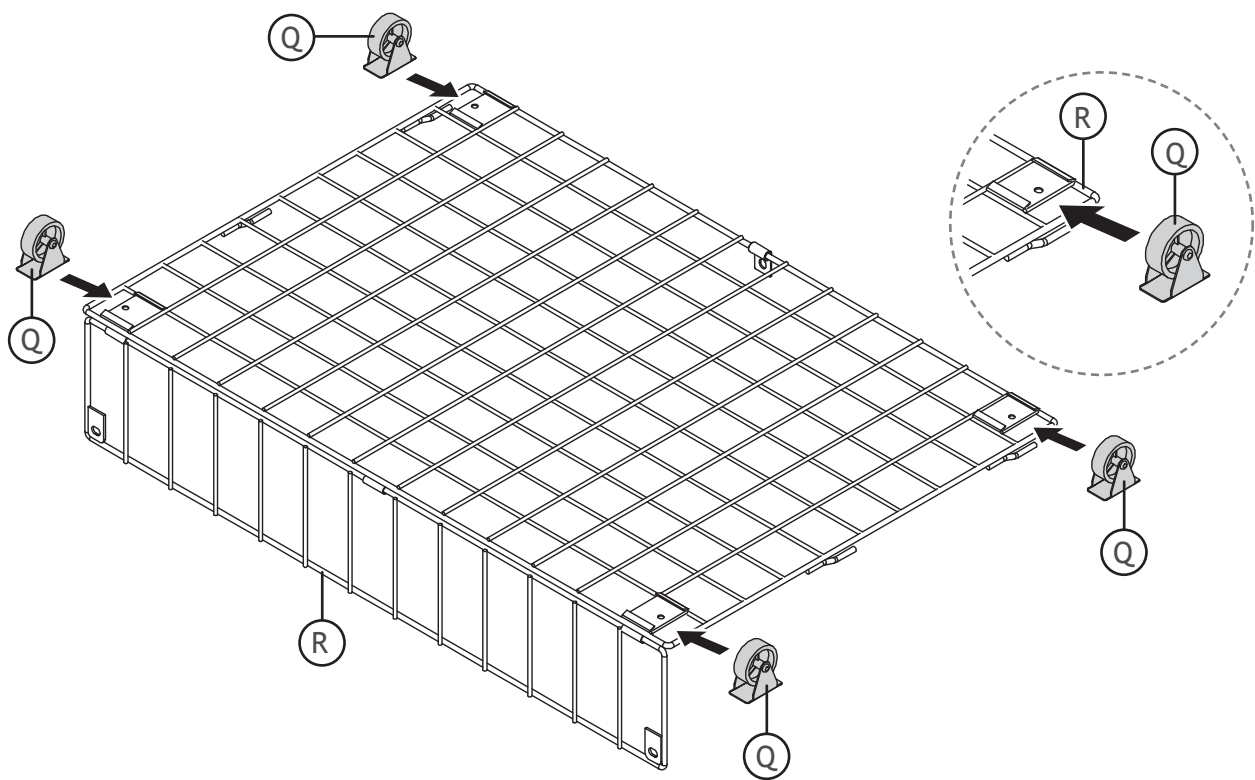
9



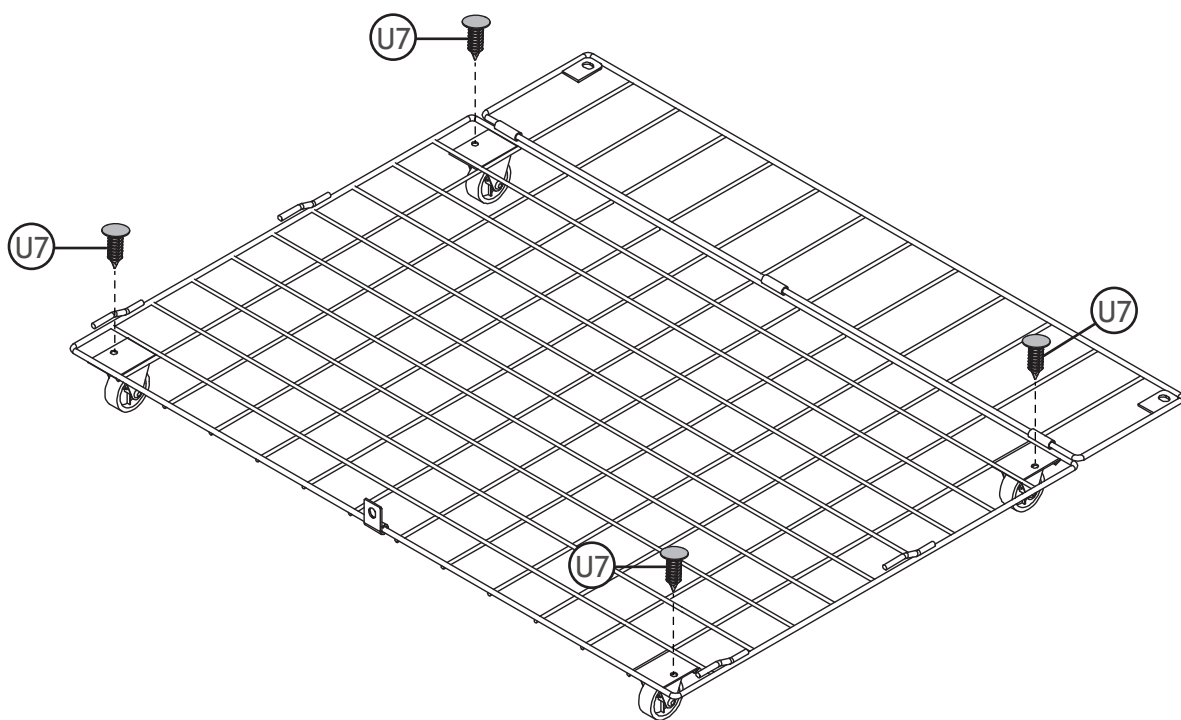
10



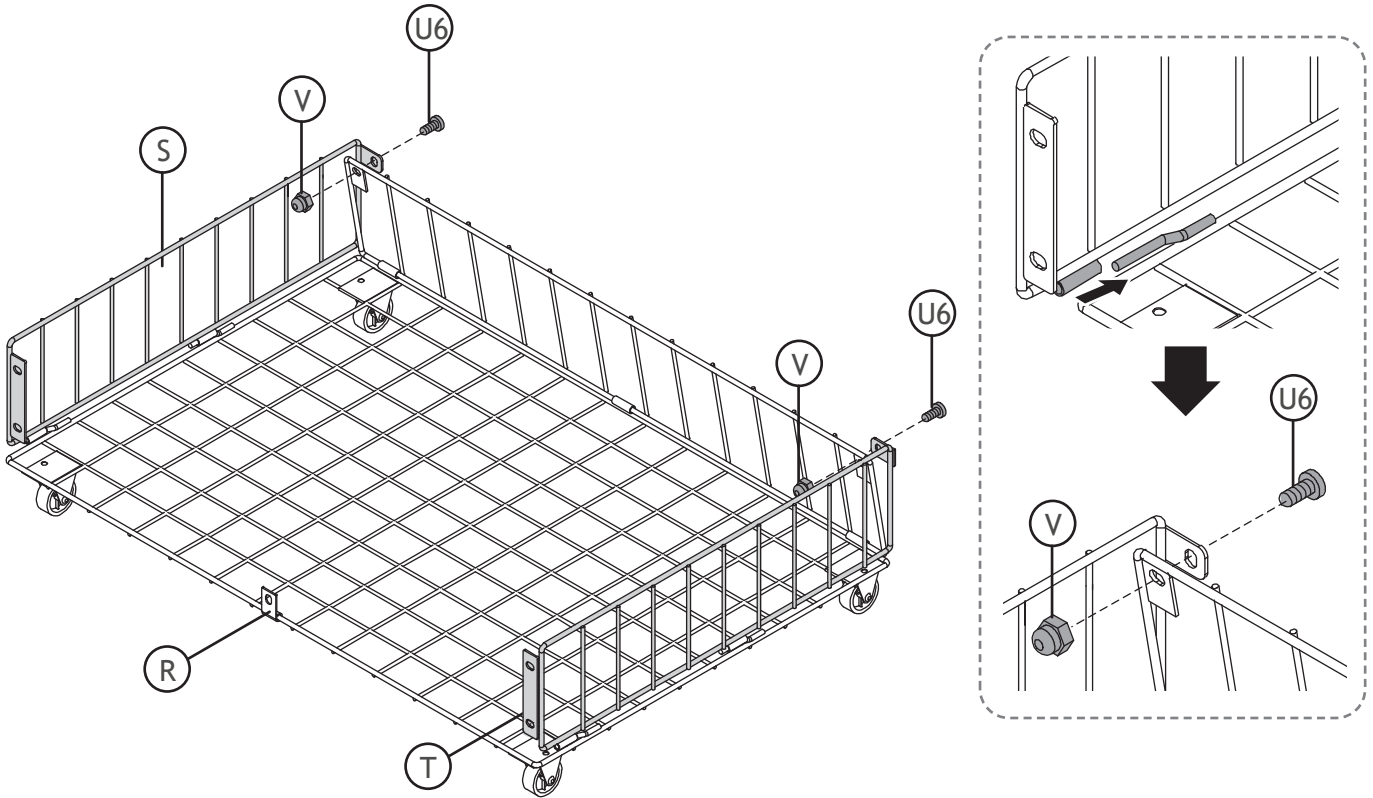
11



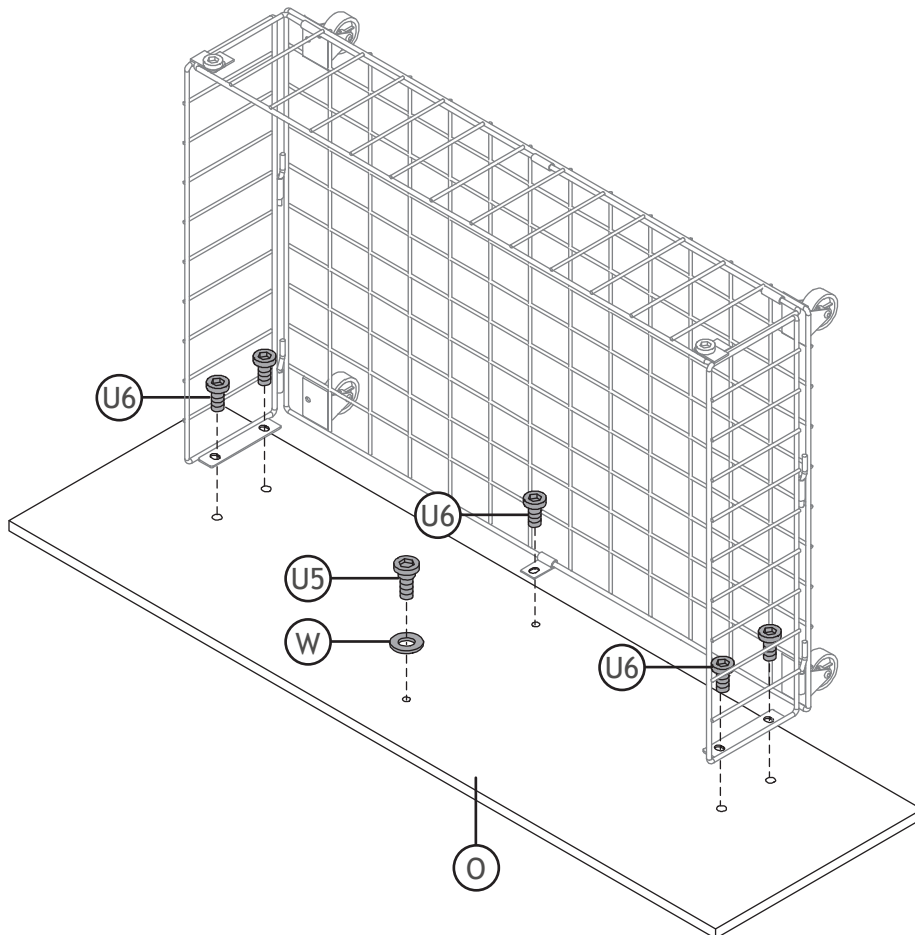
12



13

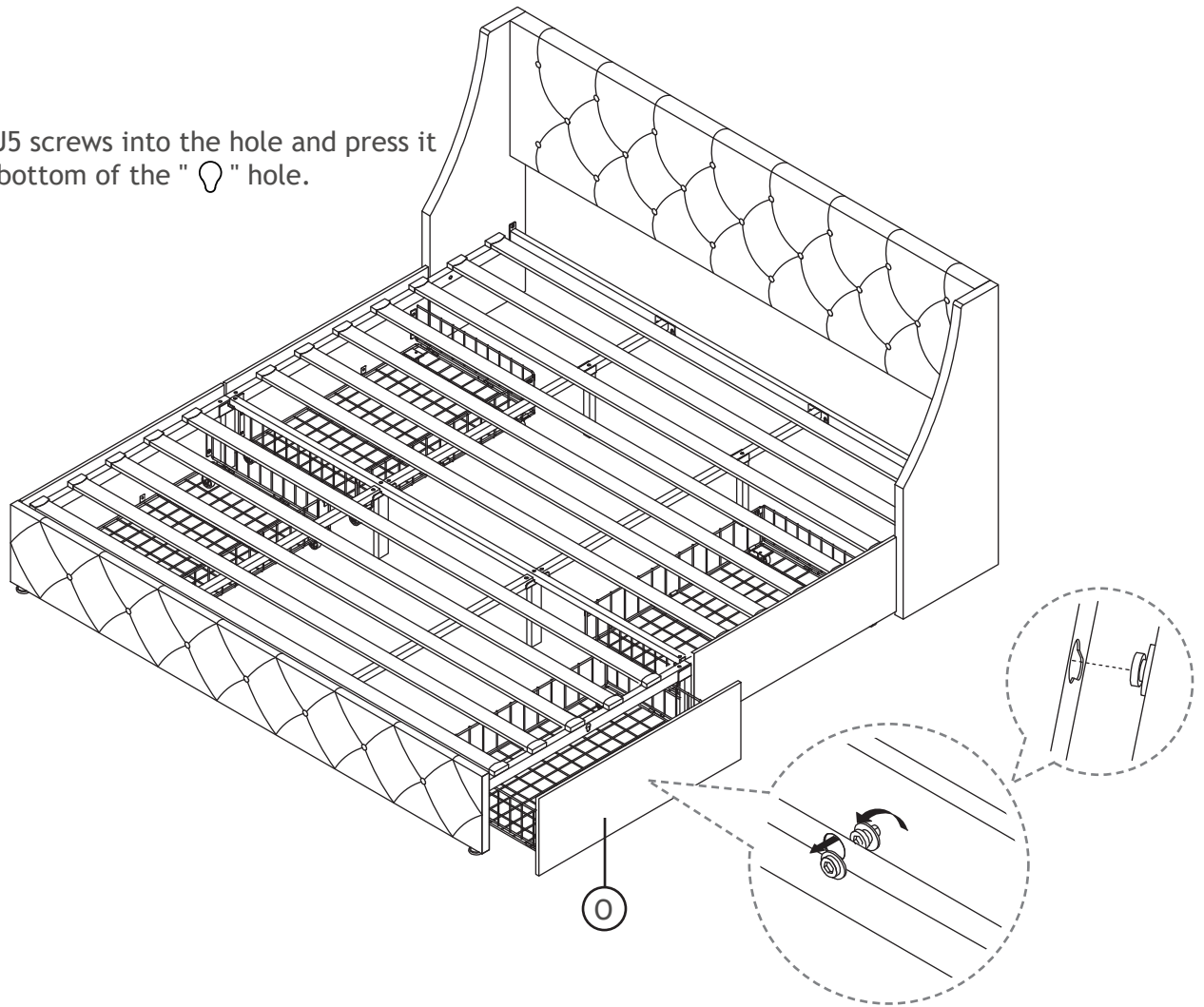


14

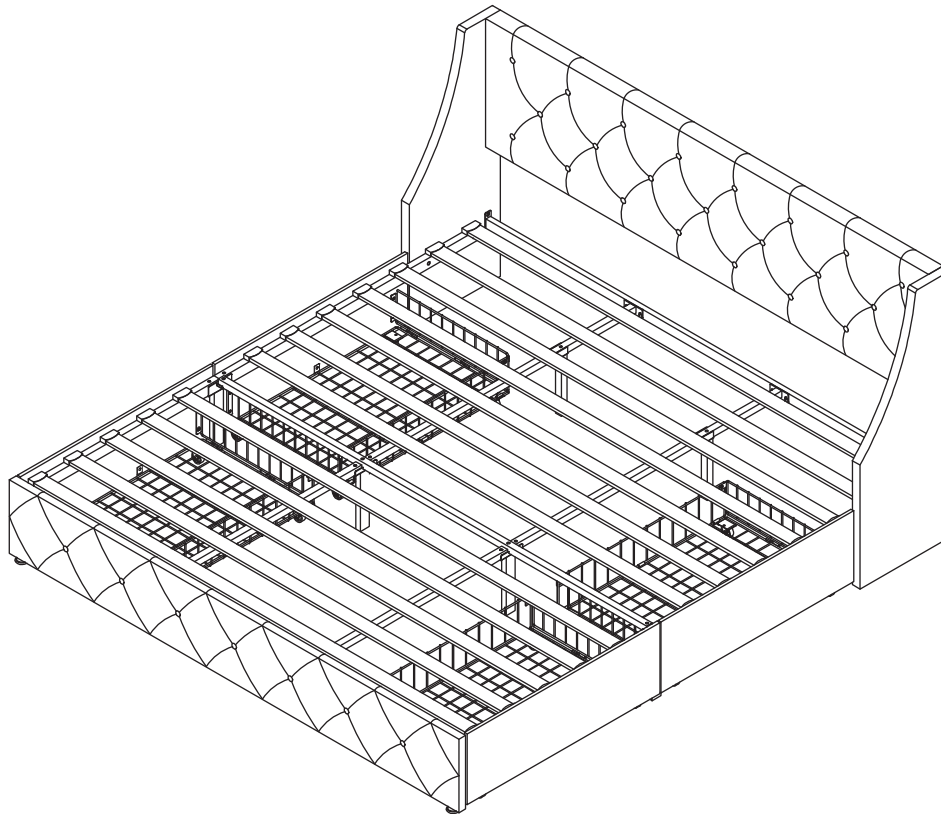


15

Put the U5 screws into the hole and press it into the bottom of the "⓪" hole.



16



Home-smart furniture co.,ltd
Add:NO.55,siming industrial park,meixi road,tong'an dist,xiamen city,china.
MADE IN CHINA