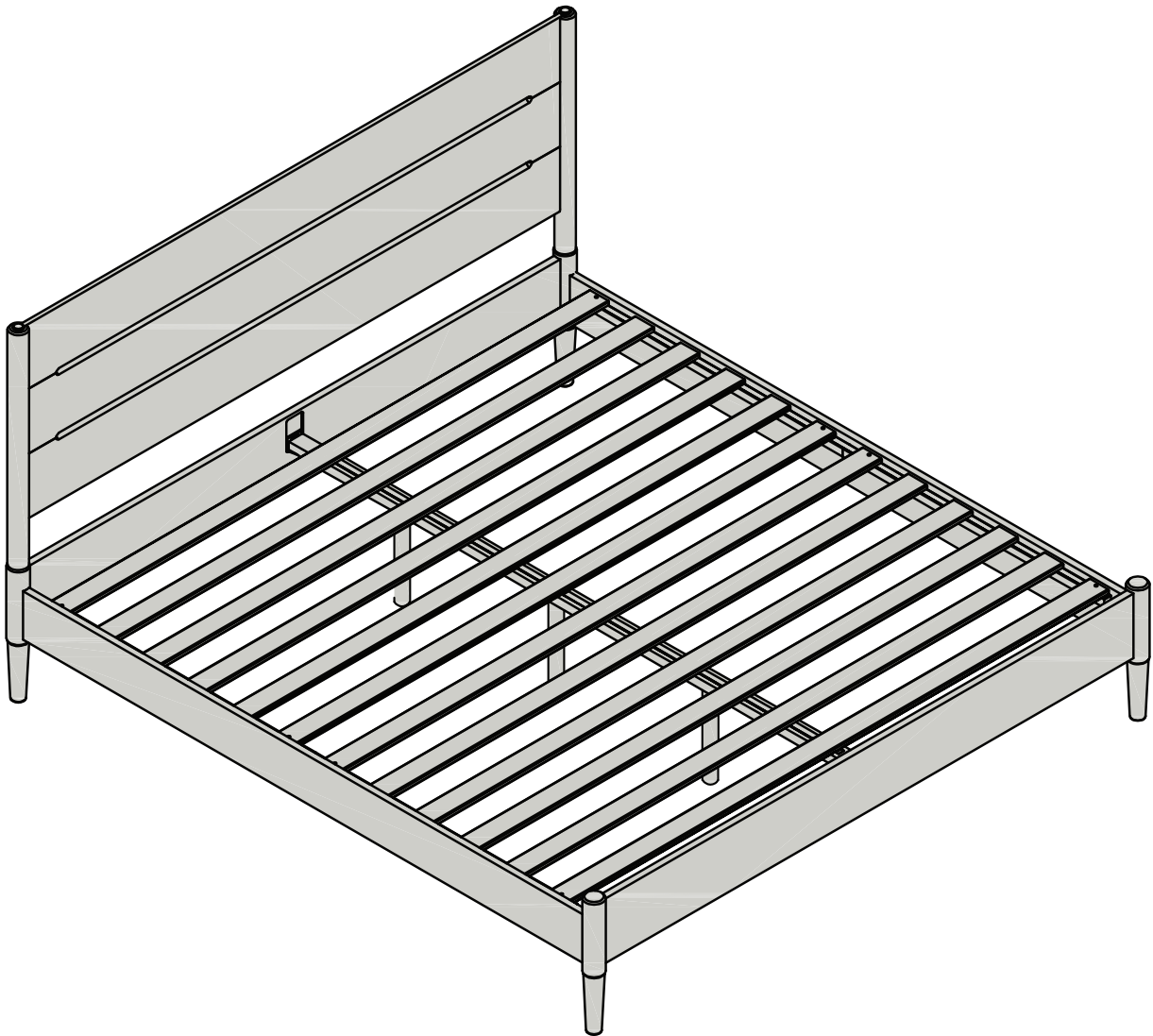


Assembly Instructions















Solid Wood Platform Bed

SKU 903001 / 903031 / 903061 / 903101 / 903131 / 903161 / 903201 / 903231 / 903261



Follow these instructions to assemble your product easily and safely

The Parts

	Description	Qty	
A	Legs Headboard - Right	1	
B	Legs Headboard - Left	1	
C	Legs Footboard	2	
D	Headboard Panel - Upper	1	
E	Headboard Panel - Middle	1	
F	Headboard Panel - Below	1	
G	Headboard Rail	1	
H	Side Rail	2	
I	Footboard Panel	1	
J	Support Rail	1	
K	Support Legs	3	
L	Slats - 6 Pcs	2	
1	Wooden Dowel Ø8 x 30mm	4+2 Extra	
2	Foot Pads	2	

- Estimated time for assembly

≥ 30 minute

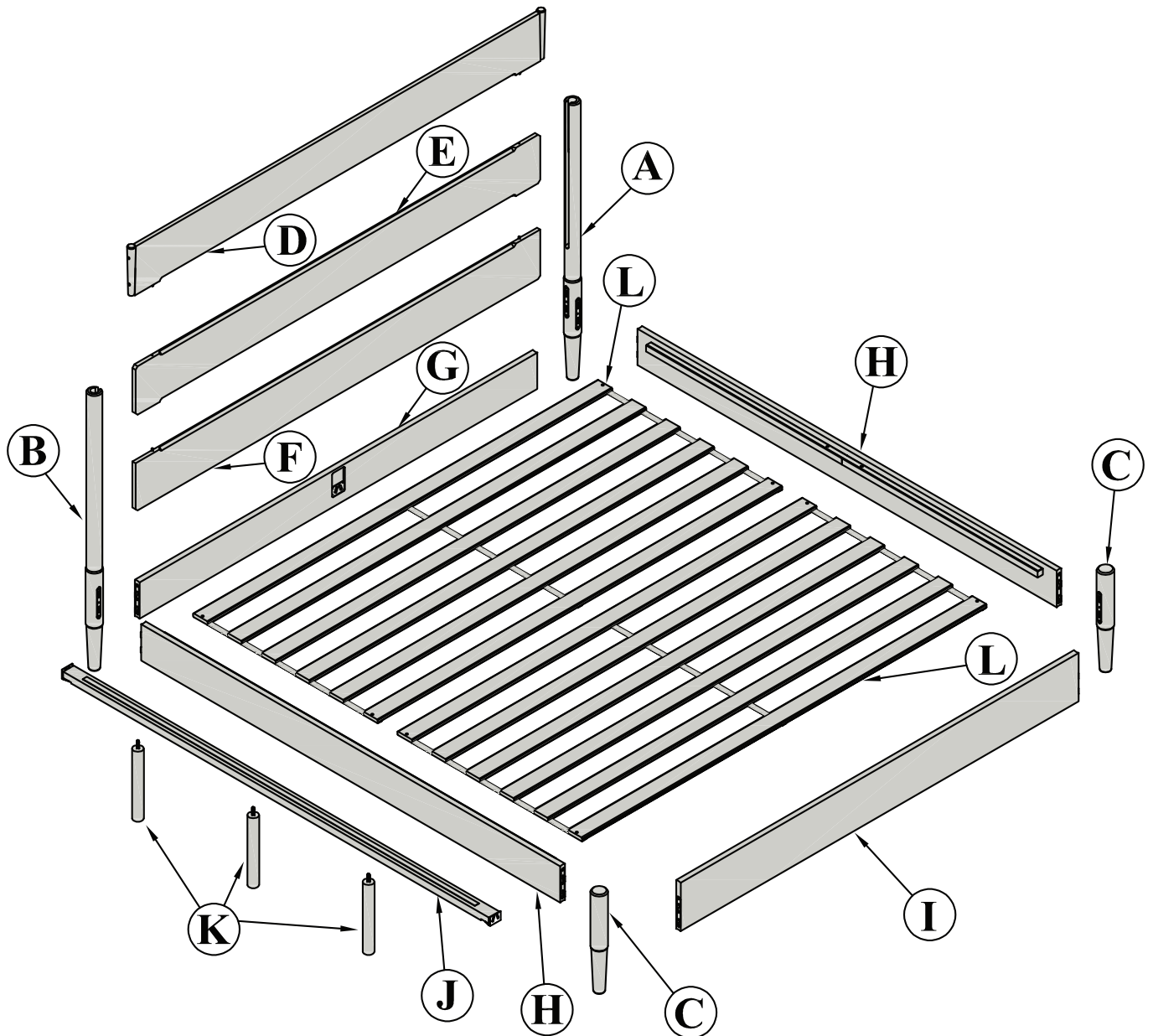
- Do not use power tools



- Use the packaging carton as a working surface to prevent scratches or damage during assembly.

The product

Exploded View



IMPORTANT

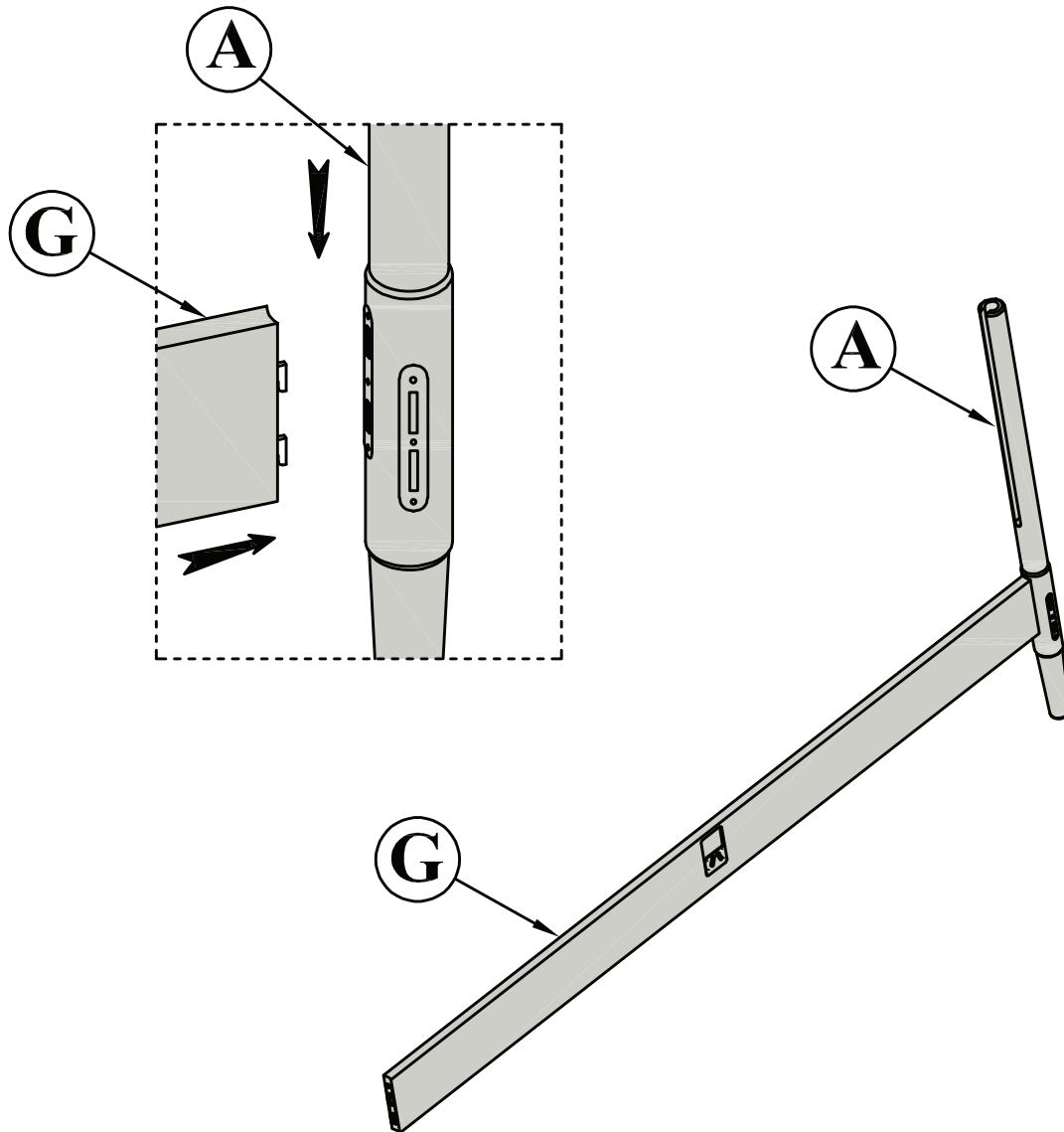
- Do not tighten bolts / screws completely until all bolts / screws are line up and inserted into holes
- Do not over tighten bolts to avoid stripping.
- Please use hand tools to assemble this product. Do not use power tools.

Step 1

Align Headboard Leg – Right (A) with the Headboard Rail (G). Slide part G into the connection slot on part A until it is fully seated.

2 Person Assembly Recommended

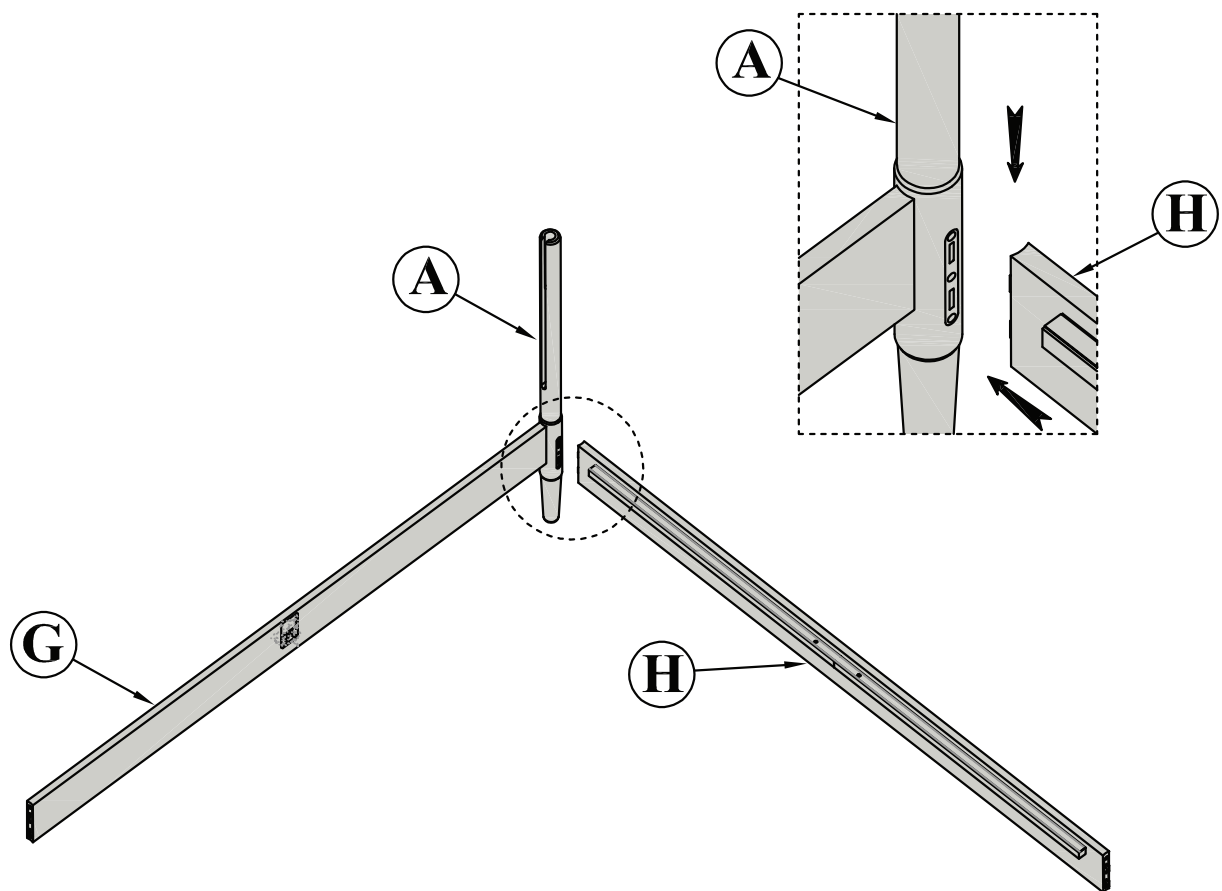
Ensure the locking tabs on part G fit correctly into the channel on part A.



Step 2

Position the Side Rail (H) at the opposite side of the Headboard Leg – Right (A). Align the connector on part H with the slot on part A.

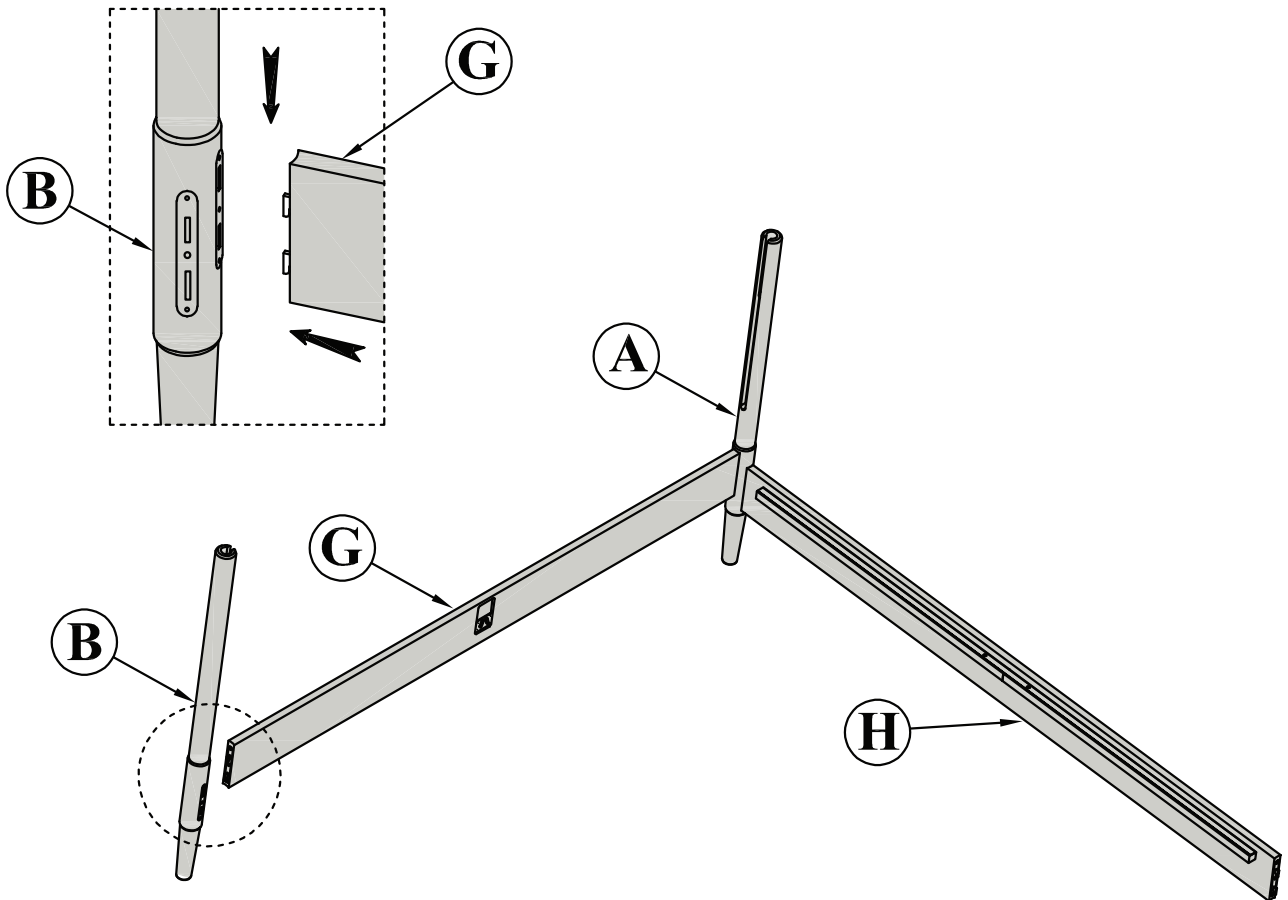
Slide H firmly into place until it is fully seated in the connection channel.



Step 3

Position the Headboard Leg – Left (B) at the open end of the Headboard Rail (G). Align the connector on part G with the slot on part B, as shown in the detail diagram.

Slide B firmly into place until it is fully seated in the connection channel.

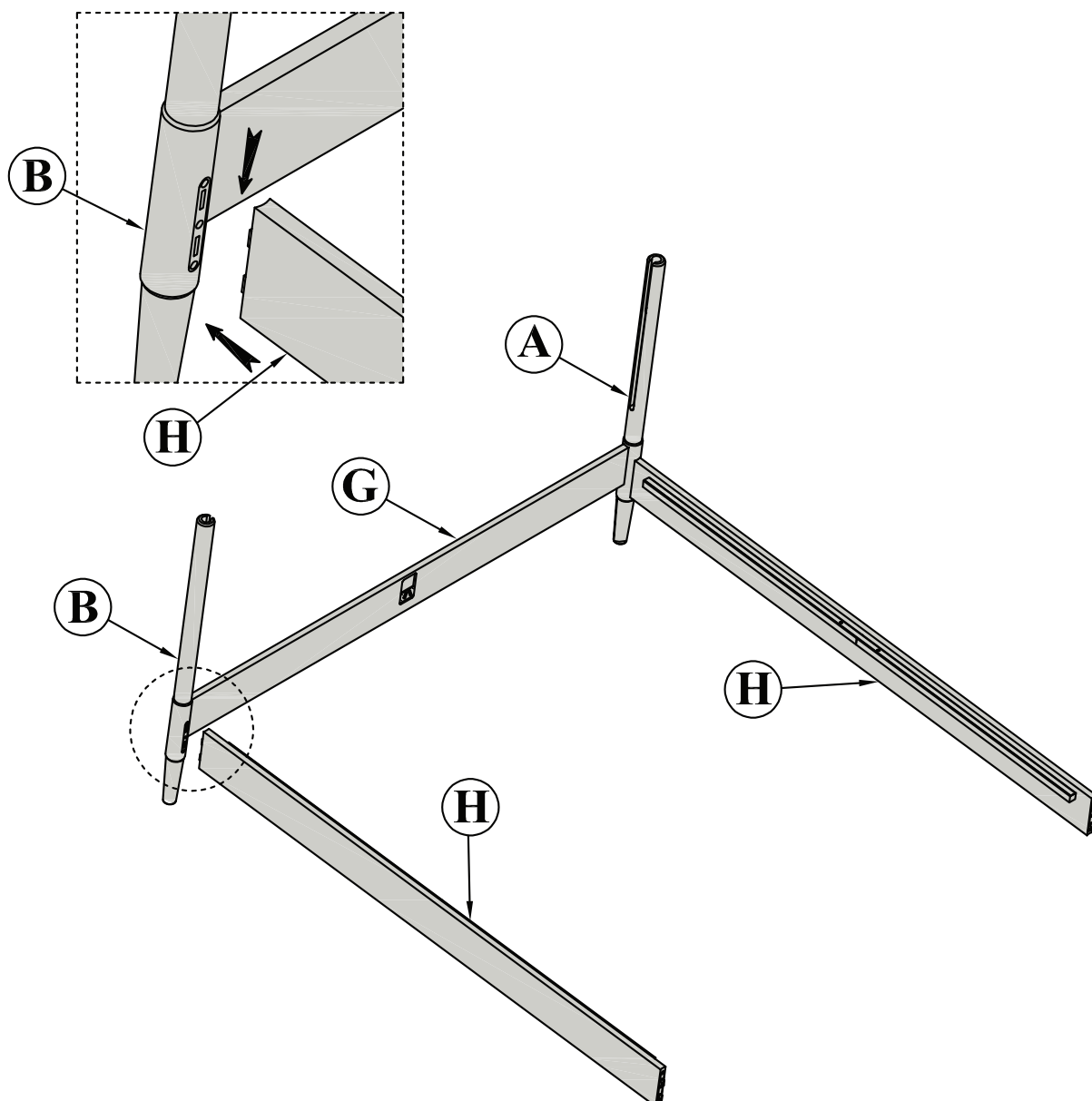


Step 4

Position the second Side Rail (H) between the Headboard Leg – Left (B) and Headboard Leg – Right (A), as shown.

Align the connector on part H with the slot on part B.

Slide H firmly into the locking channel on part B until fully seated.

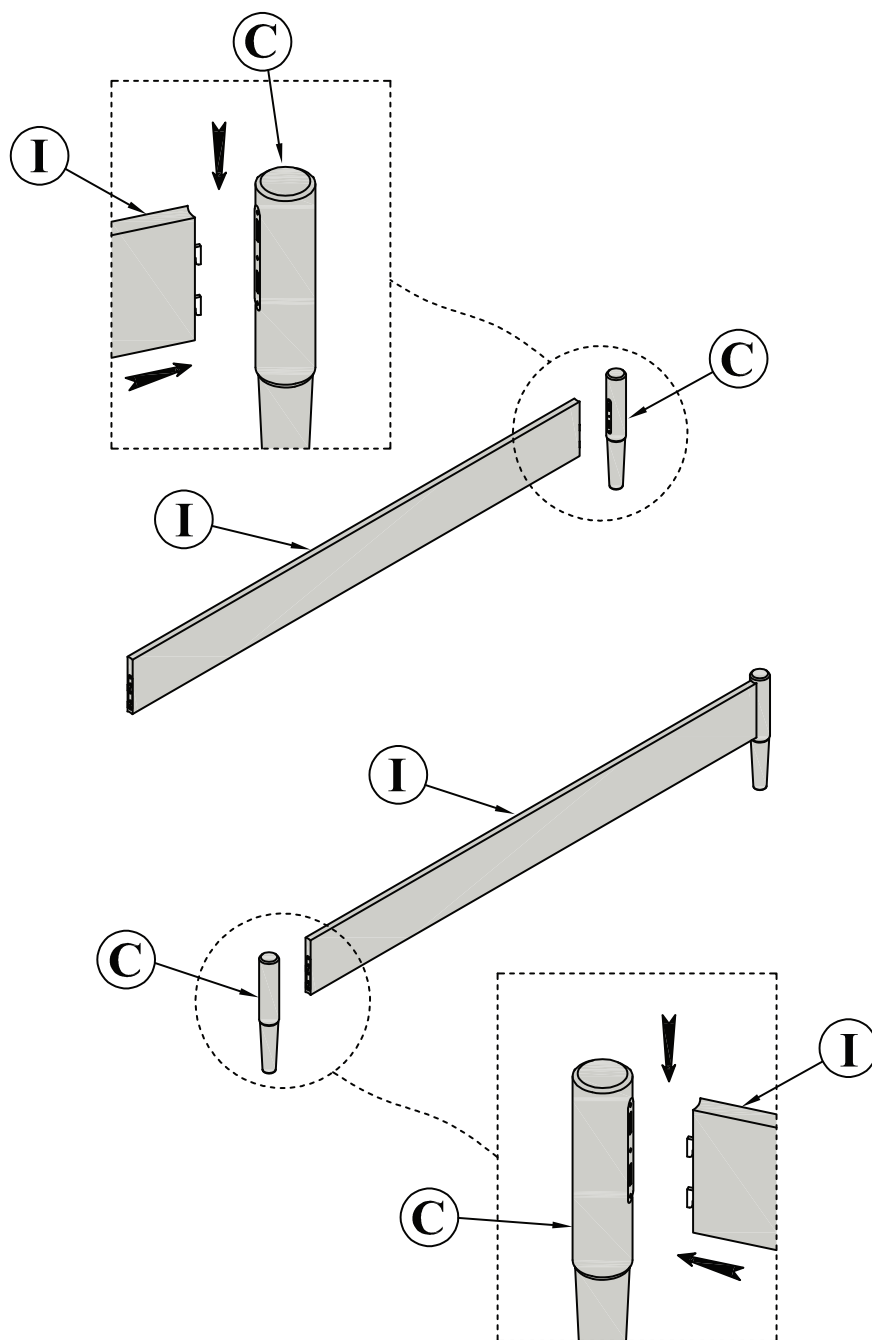


Step 5

Position the Footboard Panel (I) and the Footboard Legs (C) as shown. Align the connector on part I with the slot on part C.

Slide I firmly onto the leg until it is fully seated in the connection channel.

Repeat the same process for the second Footboard Leg (C) to complete the footboard assembly.

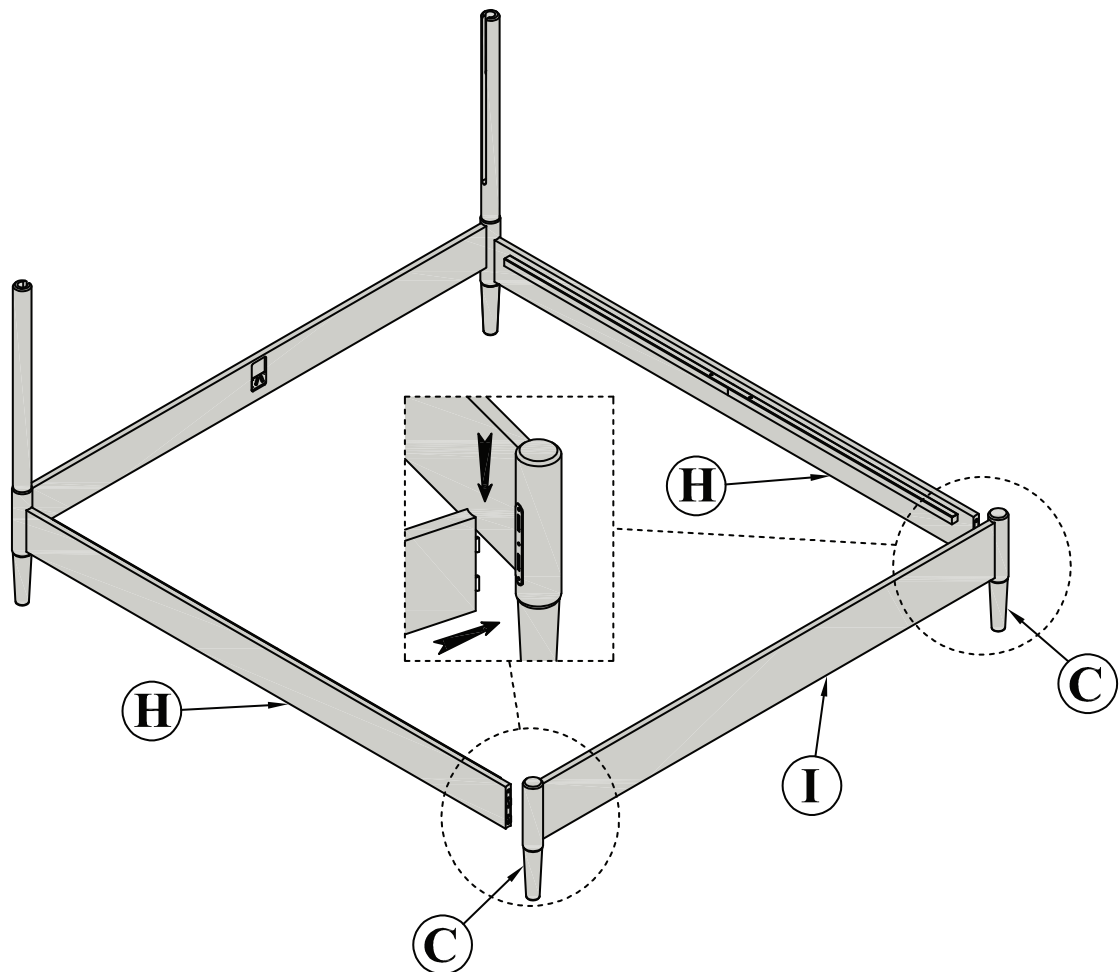


Step 6

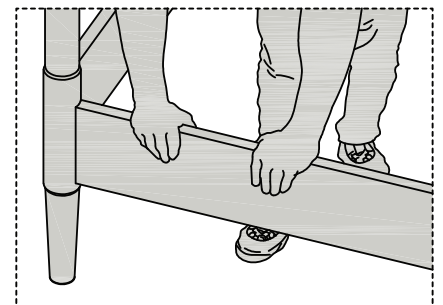
Position the assembled Footboard Panel (I) with Footboard Legs (C) at the end of the bed frame. Align the connectors on the Side Rails (H) with the slots on each Footboard Leg (C).

Slide the Side Rails (H) firmly into the legs until both sides are fully seated in the connection channels.

Ensure the footboard assembly is level and securely attached before moving to the next step.



To secure the connectors, press down firmly by hand. If additional force is needed, gently apply downward pressure by sitting on the bed frame to ensure the connections are fully seated.

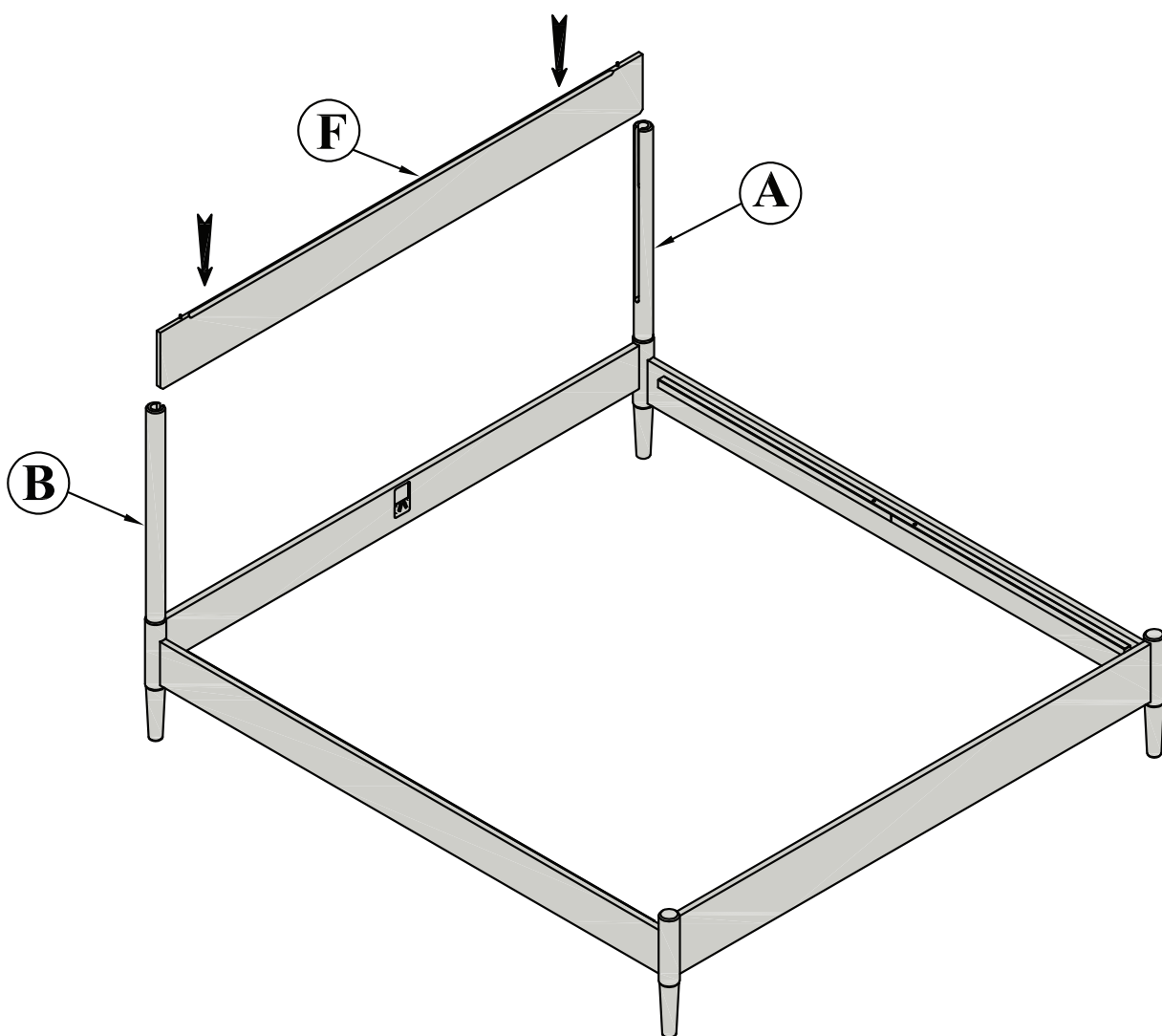


Step 7

Position the Lower Headboard Panel (F) between the Headboard Legs – Right (A) and Left (B) as shown. Align the dowel connectors on the panel with the slots on both legs.

Lower panel F straight down until it is fully seated in the connection channels on both sides.

Ensure the panel is level and flush before proceeding.

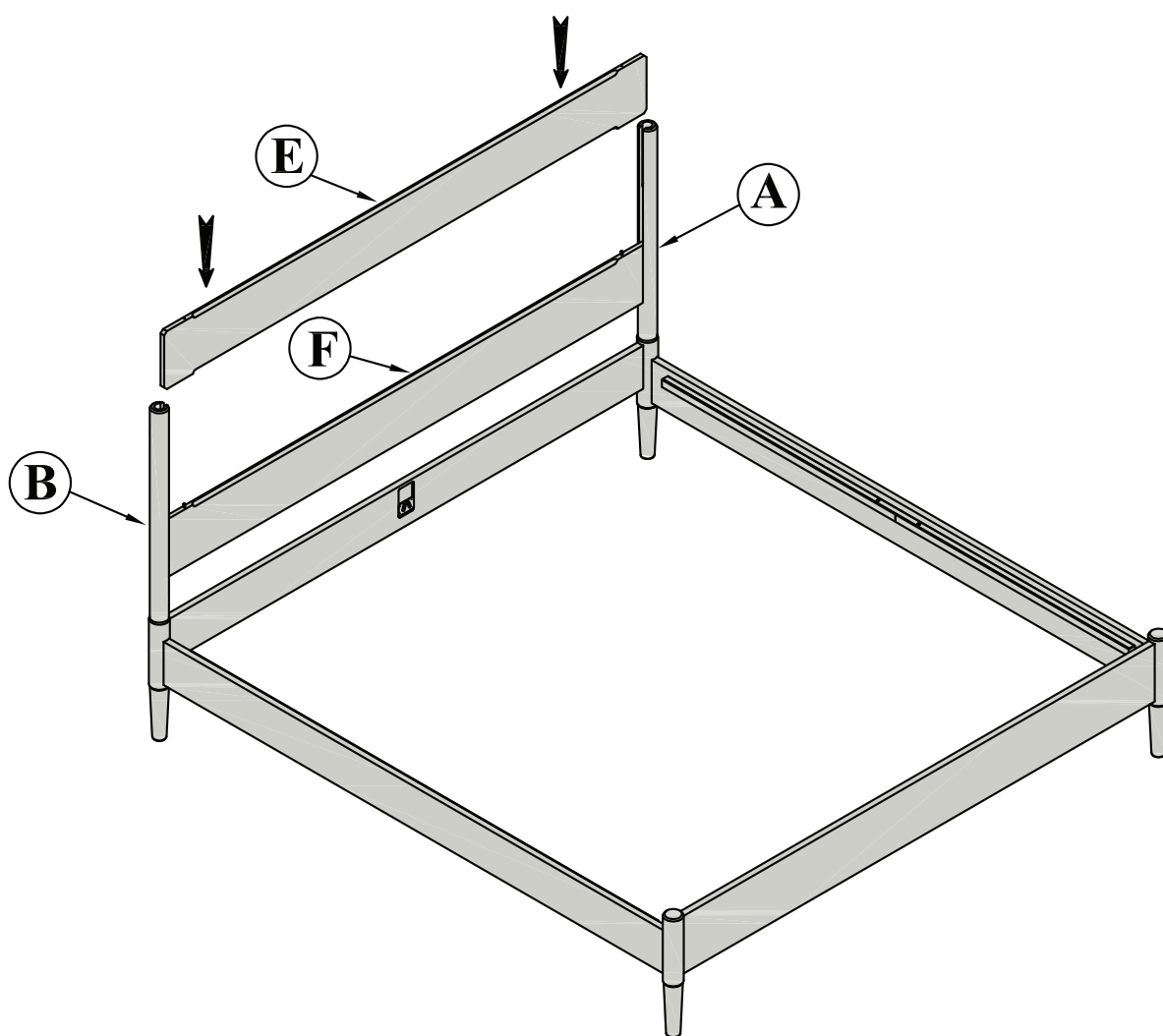


Step 8

Position the Middle Headboard Panel (E) above the previously installed Lower Headboard Panel (F). Align the dowel connectors on panel E with the slots on the Headboard Legs – Right (A) and Left (B).

Lower the panel straight down until it is fully seated in the connection channels on both sides.

Ensure the panel is level and flush before continuing to the next step.



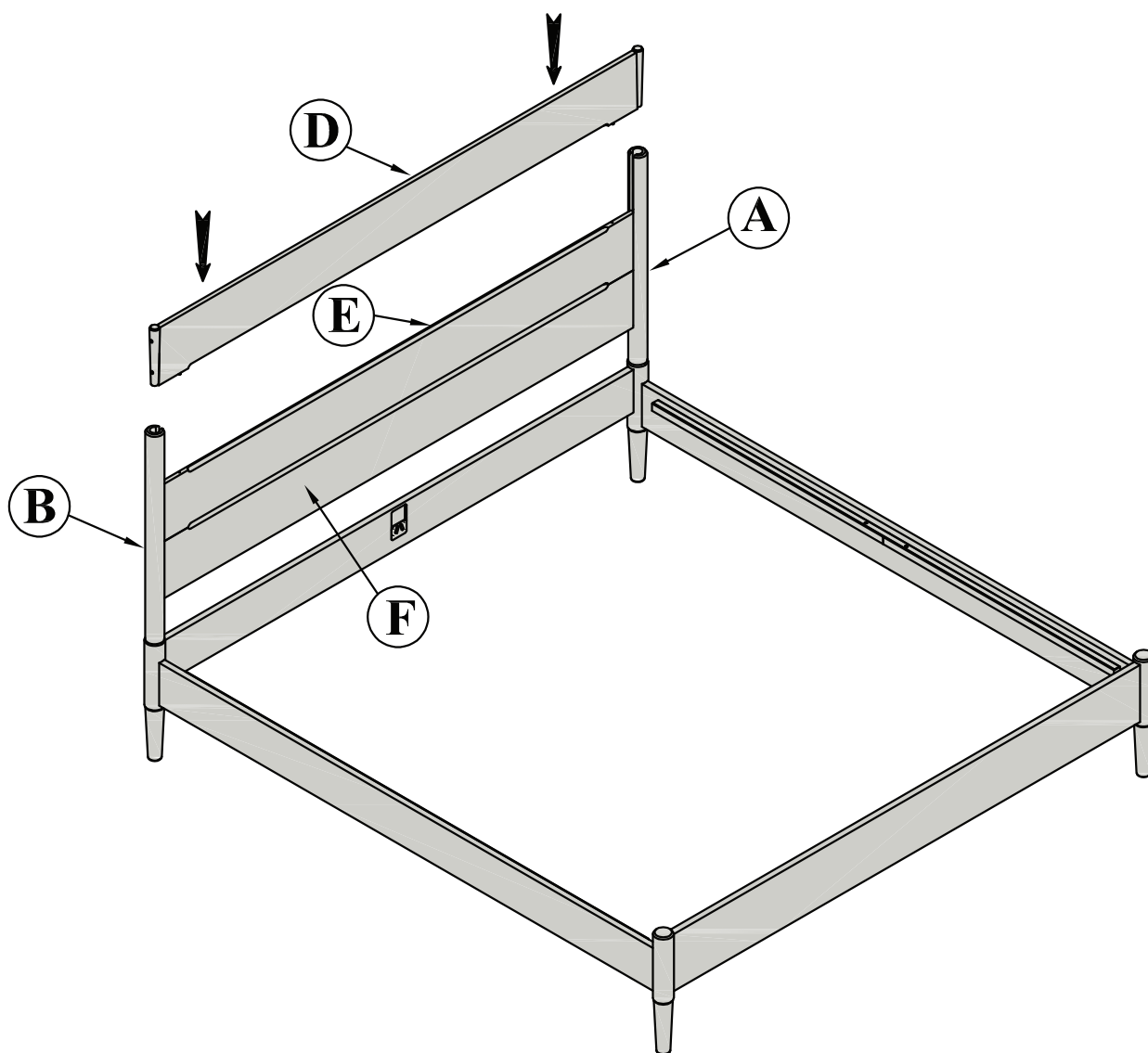
Step 9

Position the Upper Headboard Panel (D) above the previously installed panels E and F.

Align the dowel connectors on panel D with the slots on the Headboard Legs – Right (A) and Left (B).

Lower the panel straight down until it is fully seated in the connection channels on both sides.

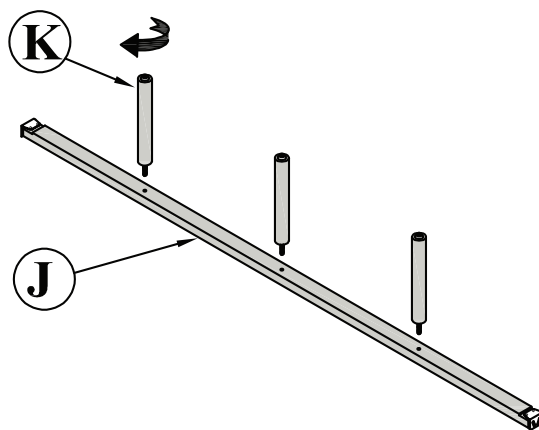
Confirm that all three headboard panels (D, E, F) are aligned and flush before moving to the next step.



Step 10

Position the Support Rail (J) on a flat surface with the pre-drilled holes facing upward. Align each Support Leg (K) with the holes on rail.

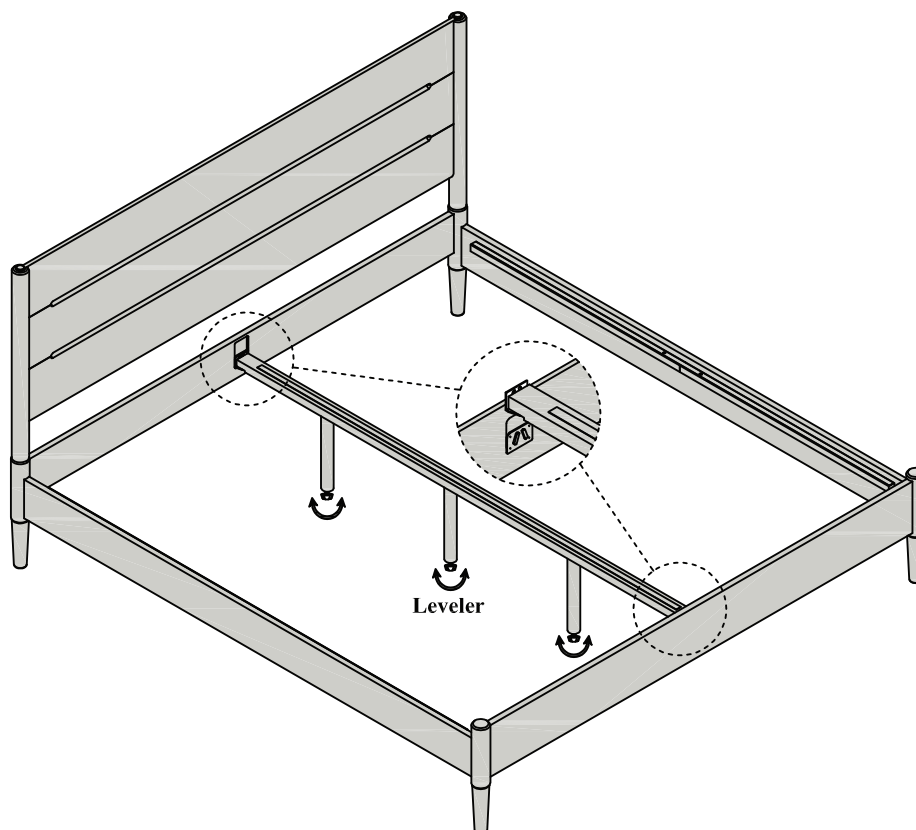
Insert and twist each Support Leg clockwise until it is securely tightened.



Step 11

Place the assembled Support Rail (J + K) into the center brackets on the Side Rails.

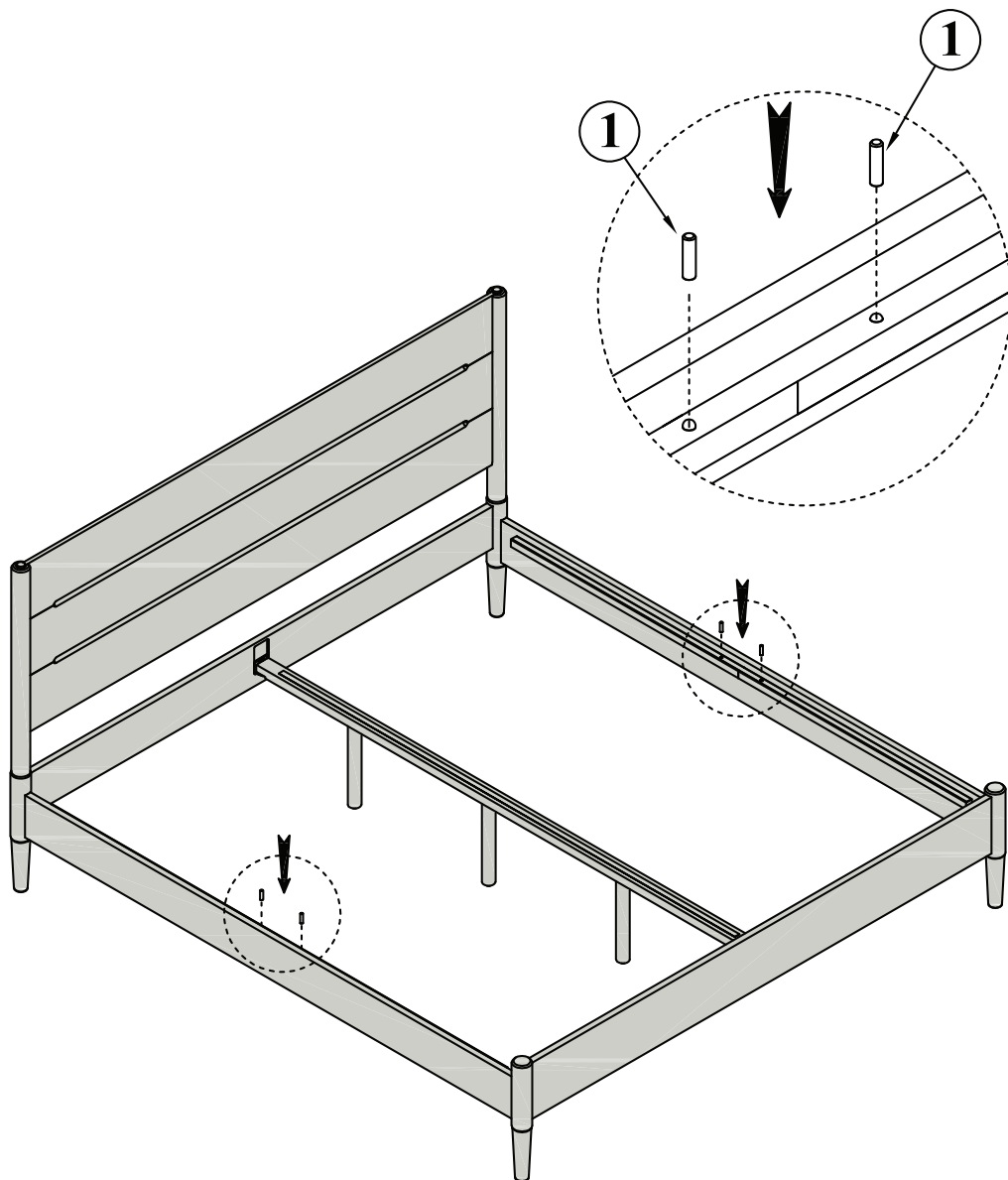
Make sure the Support Leg is firmly touching the floor before placing the mattress.



Step 12

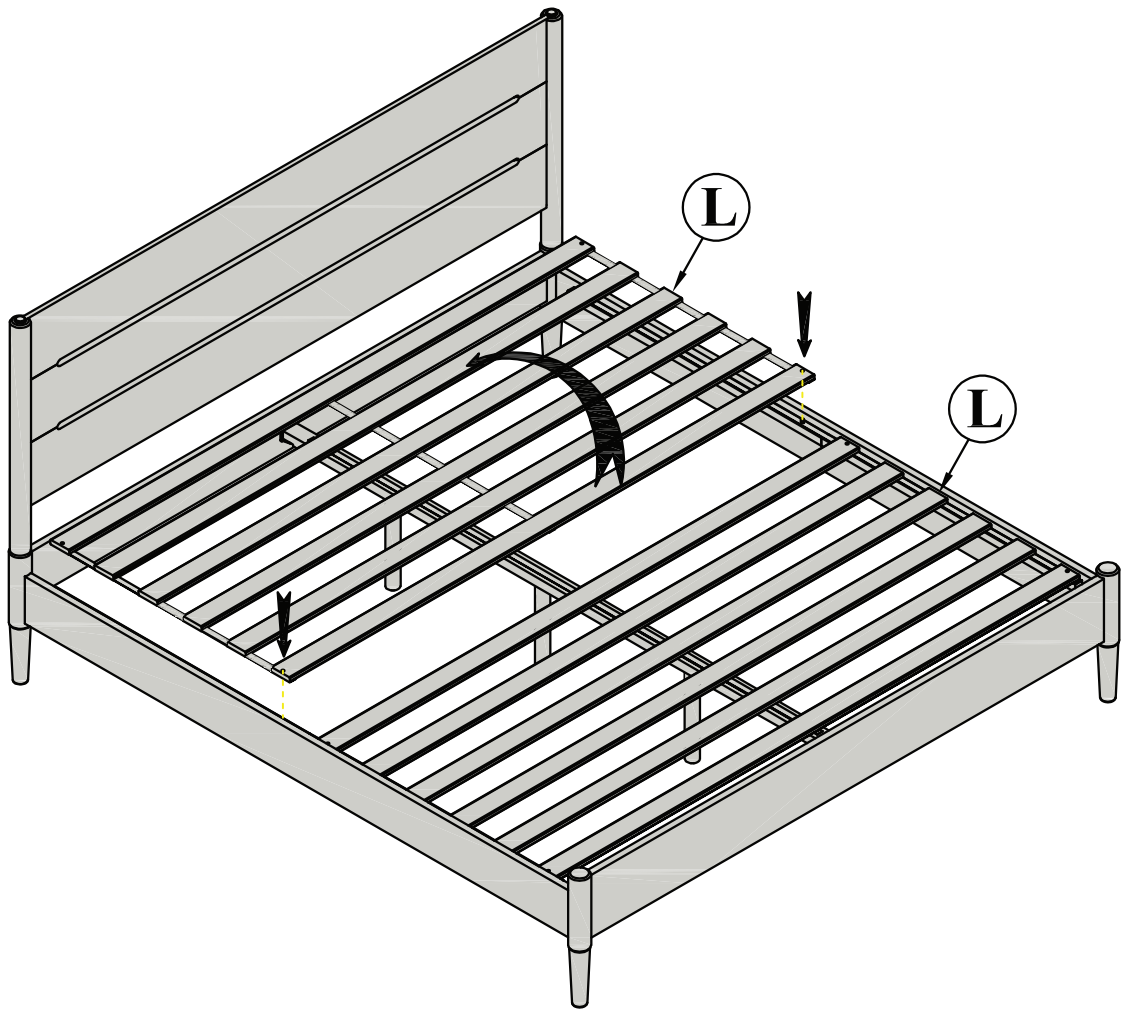
Insert the Wooden Dowels (1) into the pre-drilled holes on the Side Rails

Make sure each dowel is fully seated before proceeding to the next step.



Step 13

Place the Slats (L) onto the Side Rails and Support Rail as shown.

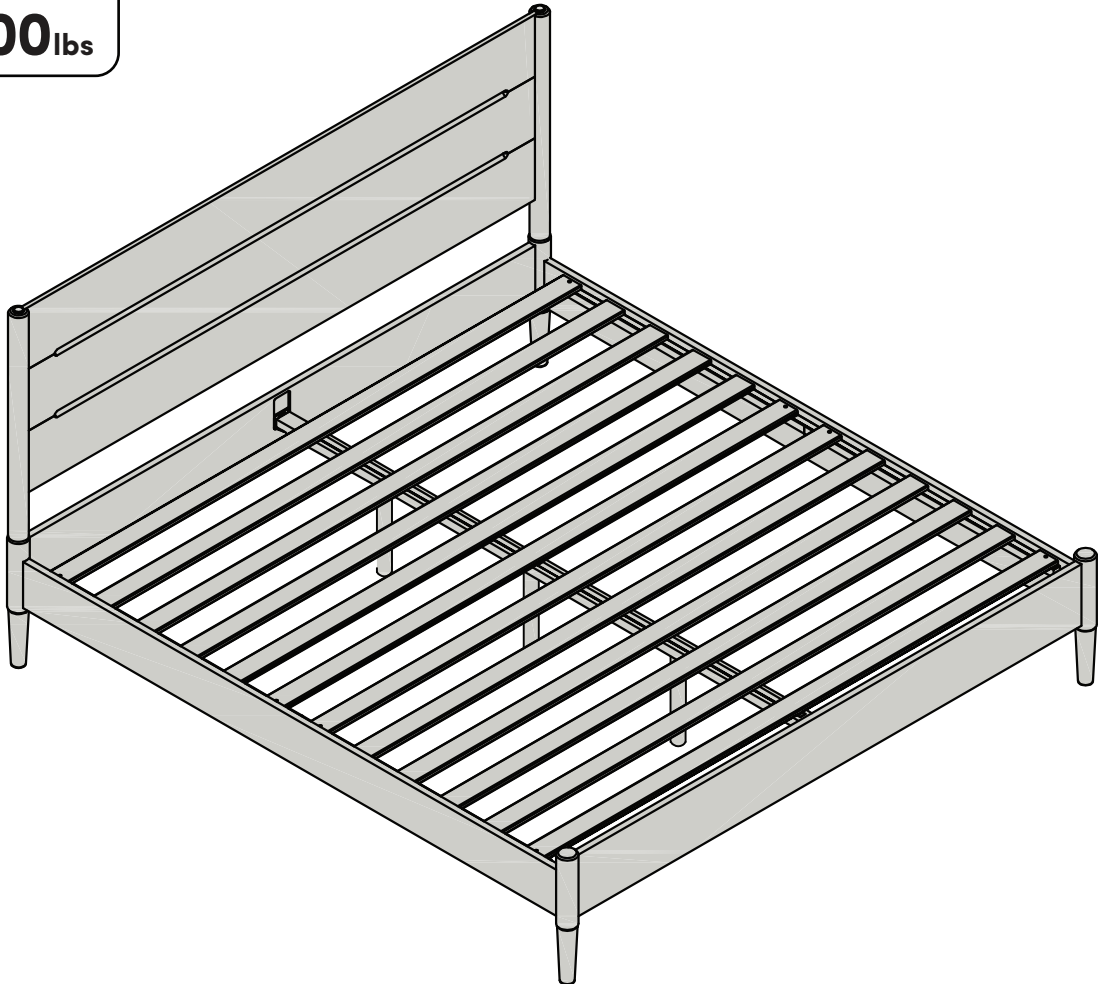


All Set for Everyday Use

Weight Limitation



900lbs



Important usage guidelines

- DO NOT** - Modify the structure of this product
- DO NOT** - Use for commercial purposes
- DO NOT** - Leave spilled liquids on the product
- DO NOT** - Use the product if it is damaged
- DO NOT** - Perform temporary repairs
- DO NOT** - Use outdoors