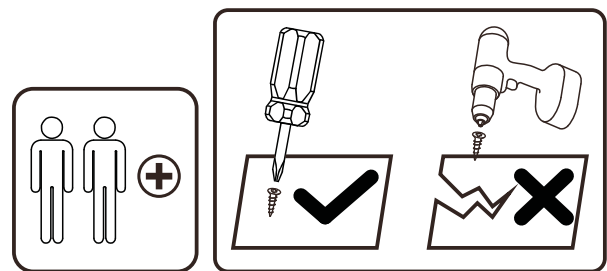


ASSEMBLY INSTRUCTIONS

Customer Service : cs@nbrehome.com



Tools Recommended

THIS INSTRUCTIONS CONTAINS IMPORTANT SAFETY INFORMATION.
PLEASE READ BEFORE ASSEMBLY AND KEEP FOR FUTURE REFERENCE.

Need Parts or Assistance? Email us : cs@nbrehome.com

IMPORTANT NOTICE

-This product contains small components, please ensure that they are kept away from small children.

-THIS INSTRUCTIONS CONTAINS IMPORTANT SAFETY INFORMATION.
PLEASE READ BEFORE ASSEMBLY AND KEEP FOR FUTURE REFERENCE.

-Read each step carefully. It is very important that each step of instruction is performed in the correct order. If these steps are not followed in sequence, assembly difficulties will occur.

-Make sure all parts are included. Most parts are labelled or stamped on the raw edge.

-Work in spacious area, preferably on a carpet, near the place the unit will be used.

-Do not use power tools to assemble your furniture. Power tools may strip or damage the parts.

-Move your new furniture carefully, with two people lift and carry the unit to it's new location.

-Never push, drag or pull your furniture (especially on carpet)






PLEASE DO NOT RETURN PRODUCT TO US IMMEDIATELY

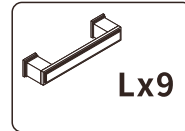
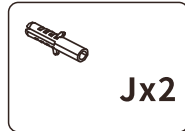
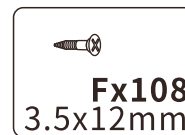
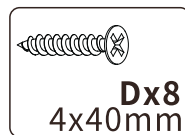
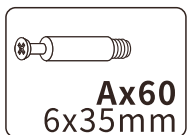
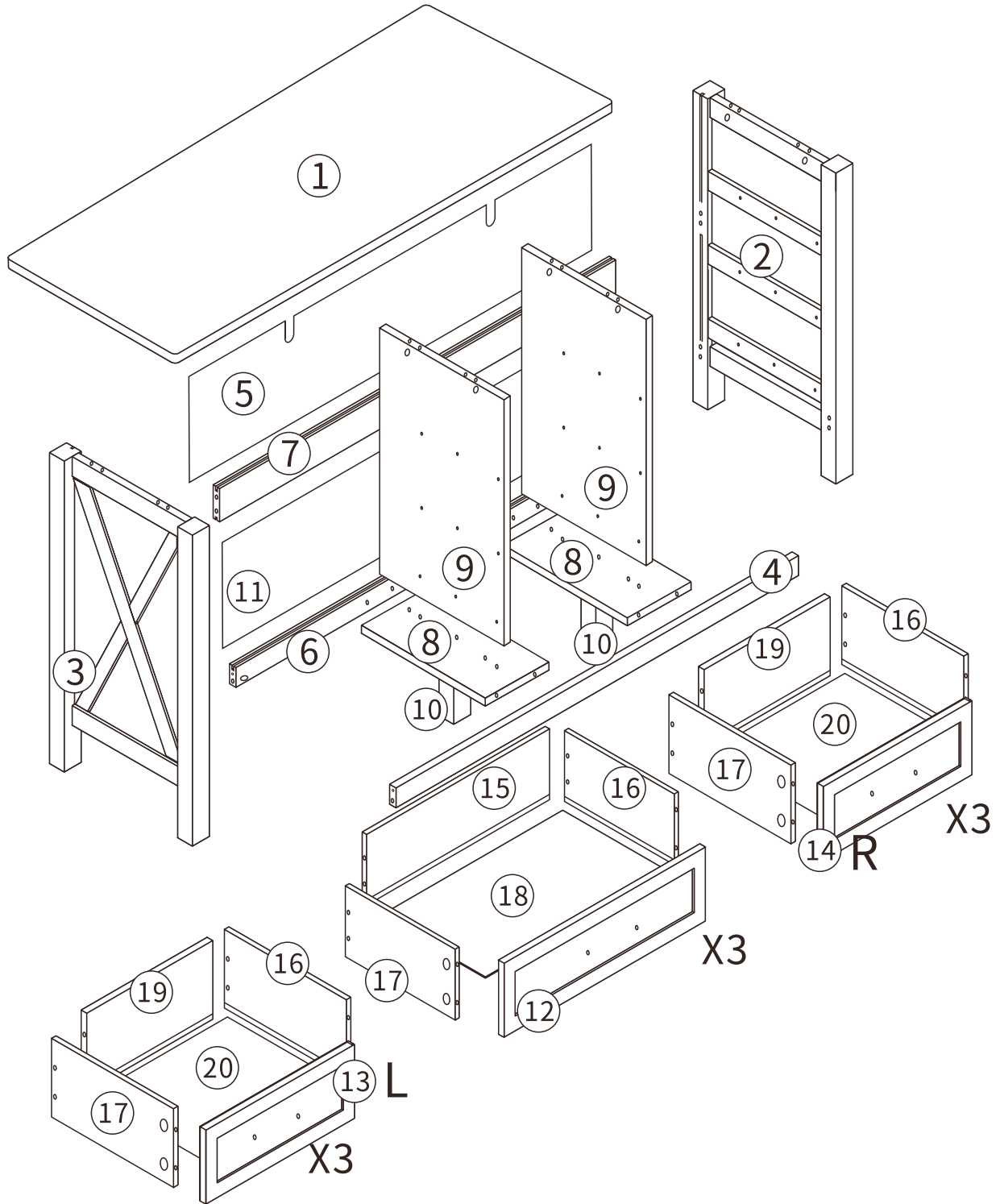
If a part is missing or damaged, email our customer service.
We will gladly ship your replacement parts FREE of charge.

Need Parts or Assistance? Email us : cs@nbrehome.com

For Prompt, reliable service, please have your assemble instruction ready

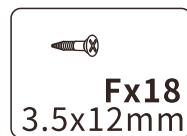
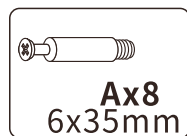
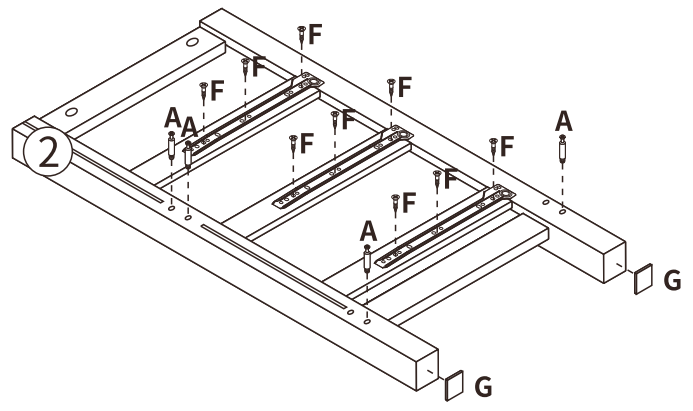
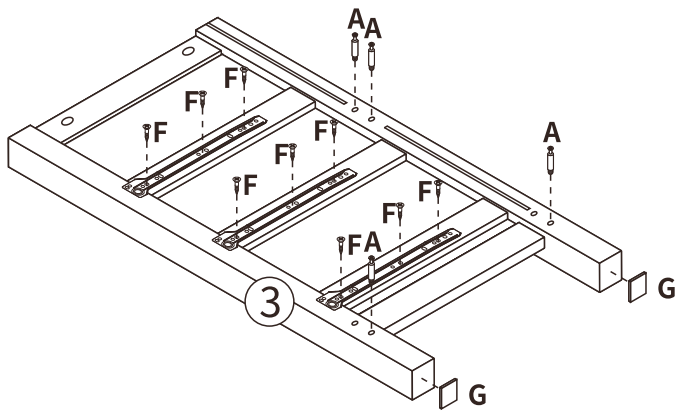
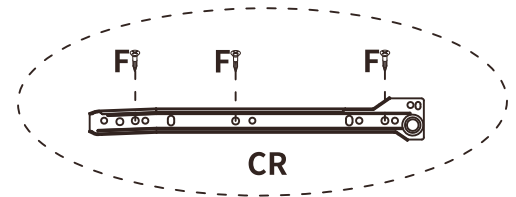
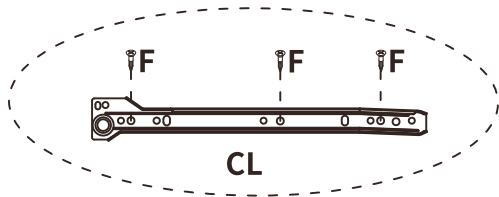
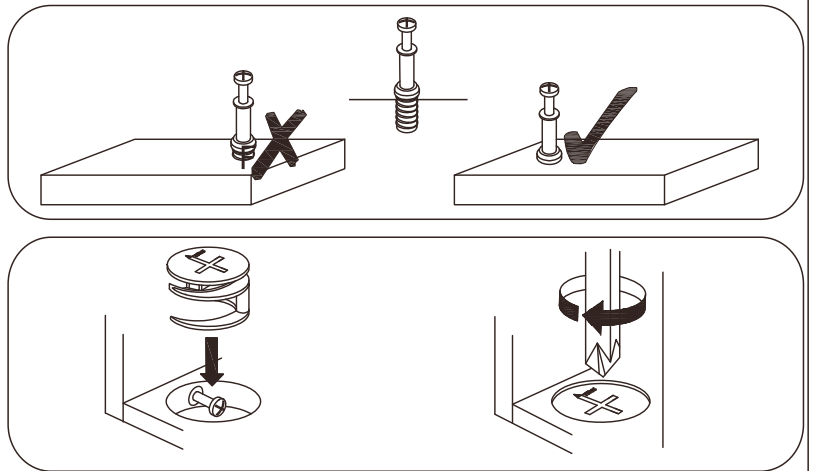
 WARNING	
	Children have died from furniture tipover. To reduce the risk of furniture tipover: <ul style="list-style-type: none">• ALWAYS install anti-tip device provided.• NEVER put a TV on this product.• NEVER allow children to stand, climb or hang on any drawers, doors, or shelves.• NEVER open more than one drawer at a time.• Place heaviest items in the lowest drawers.
	<p>This is a permanent label. Do not remove!</p>

The installation direction should be aligned with the instructions to prevent plate breakage caused by product tipping during installation.



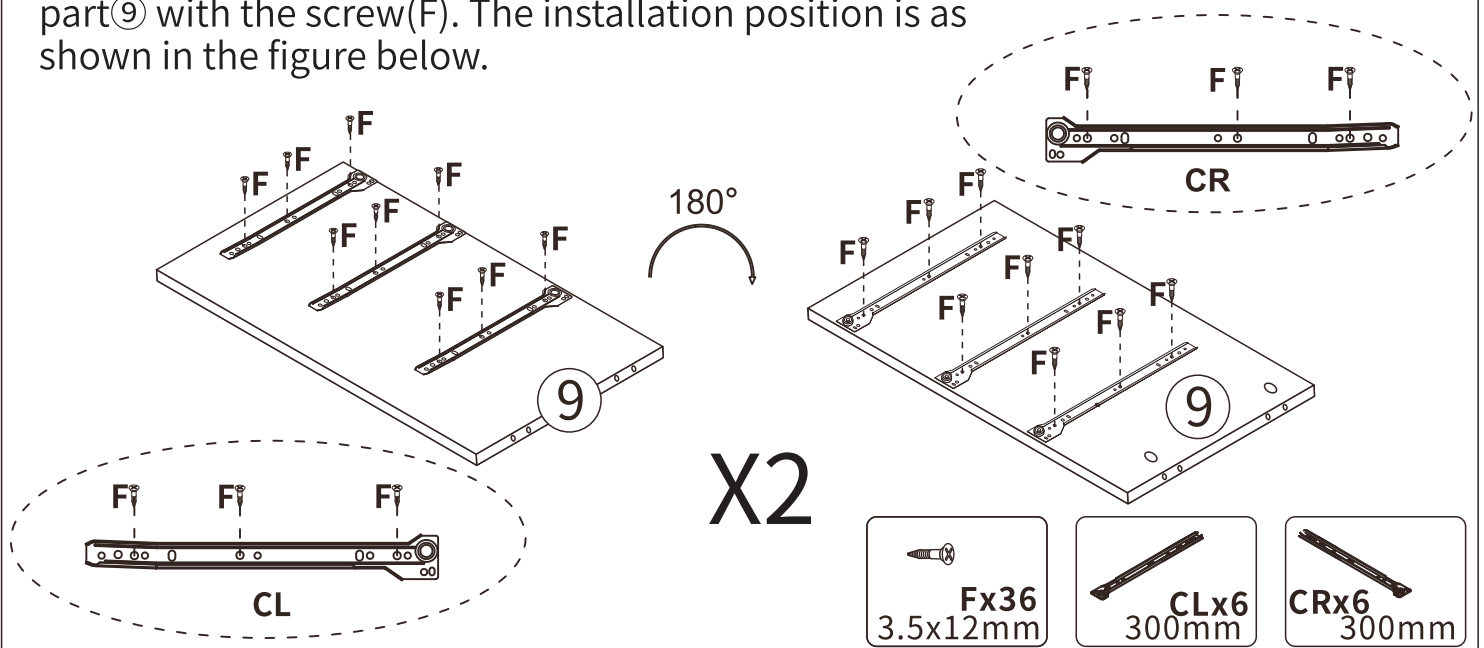
Step 1

First lock the screw (A) to the parts ②③. Then lock the guide rail (CL) to the part③ and lock the guide rail (CR) to the part② with the screw(F). Attach mat (G) to the legs bottom. The installation position is as shown in the figure below.

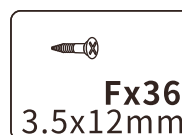


Step 2

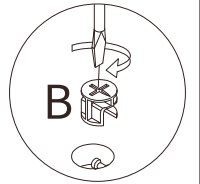
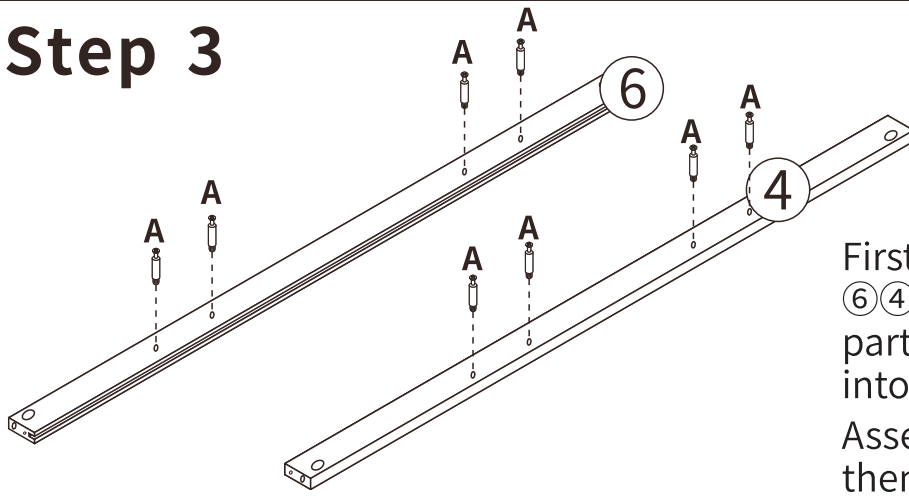
Lock the guide rail (CL) to the right side of the part⑨ with the screw(F) then turn it 180 degrees and lock the guide rail (CR) to the left side of the part⑨ with the screw(F). The installation position is as shown in the figure below.



X2

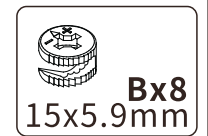
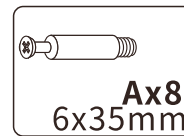
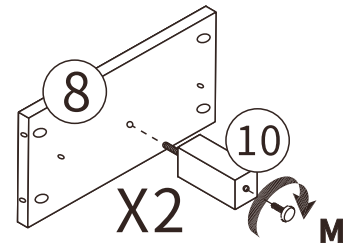
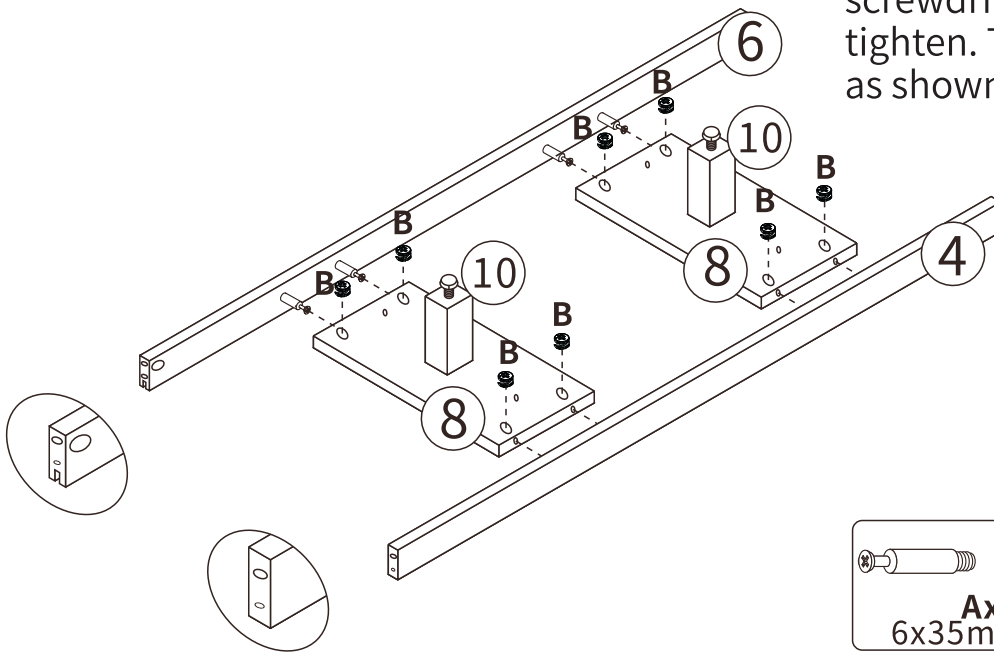


Step 3



First lock the screw (A) to the parts ⑥④. Then attached the part⑧ and part⑩. Rotate adjustable pad(M) into part⑩.

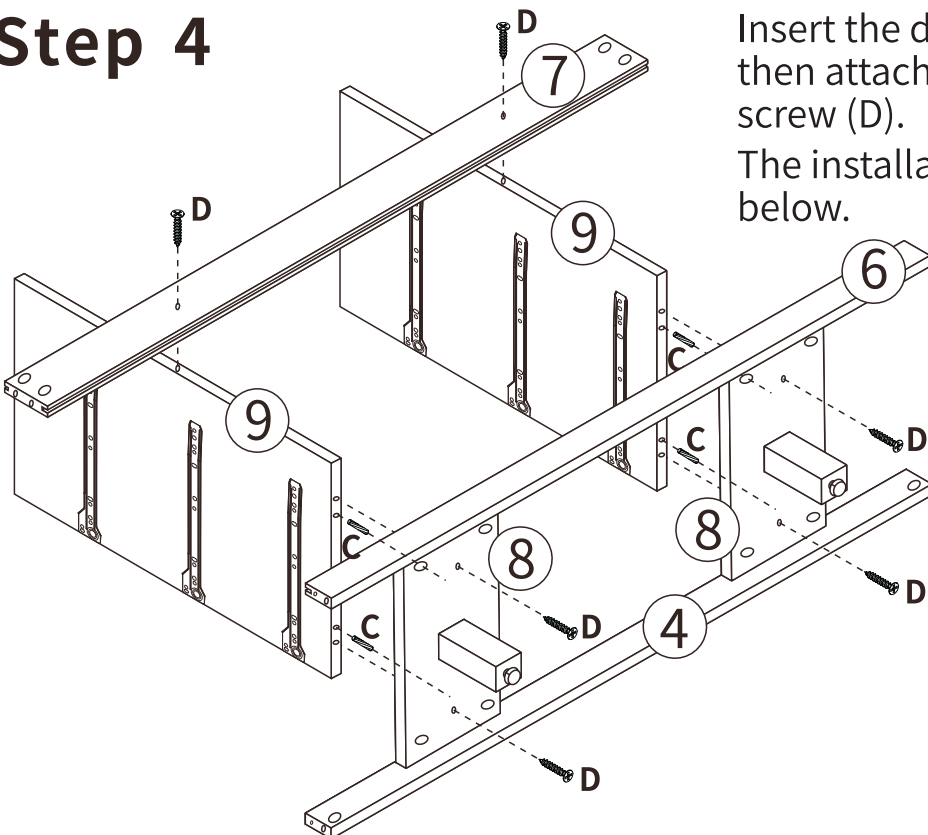
Assemble part⑧ and part ④⑥, then put the eccentric (B) into the corresponding hole and use a screwdriver to turn it clockwise to tighten. The installation position is as shown below.



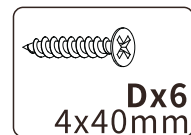
Step 4

Insert the dowel (C) into part⑨ first, then attach the part⑦⑧ to part⑨ with screw (D).

The installation position is as shown below.



The installation direction should be aligned with the instructions to prevent plate breakage caused by product tipping during installation.

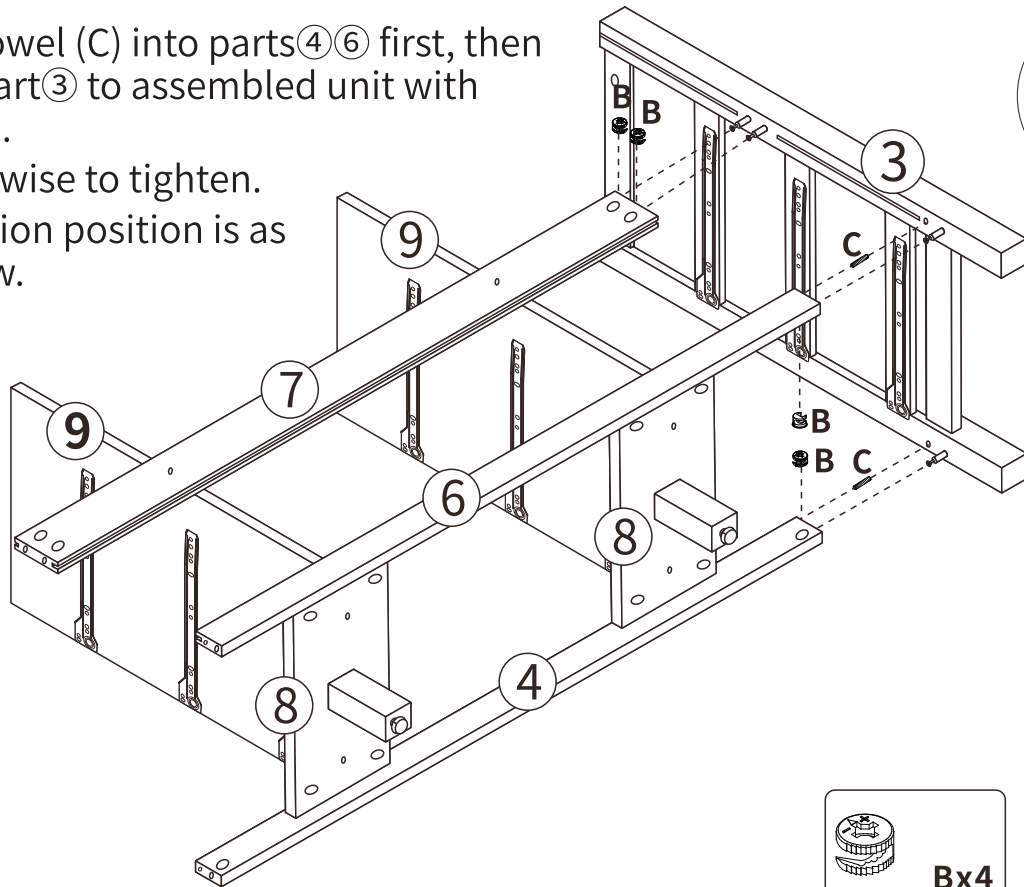


Step 5

Insert the dowel (C) into parts④⑥ first, then attach the part③ to assembled unit with eccentric (B).

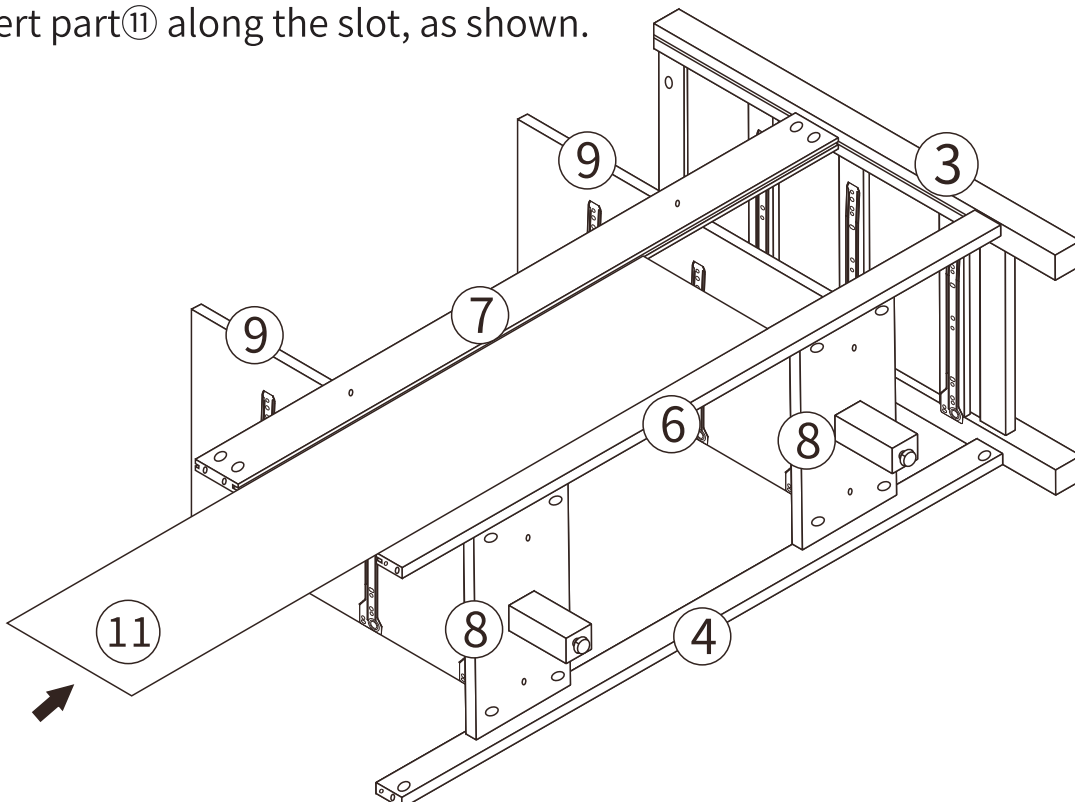
Turn it clockwise to tighten.

The installation position is as shown below.



Step 6

Insert part⑪ along the slot, as shown.

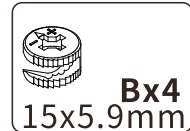
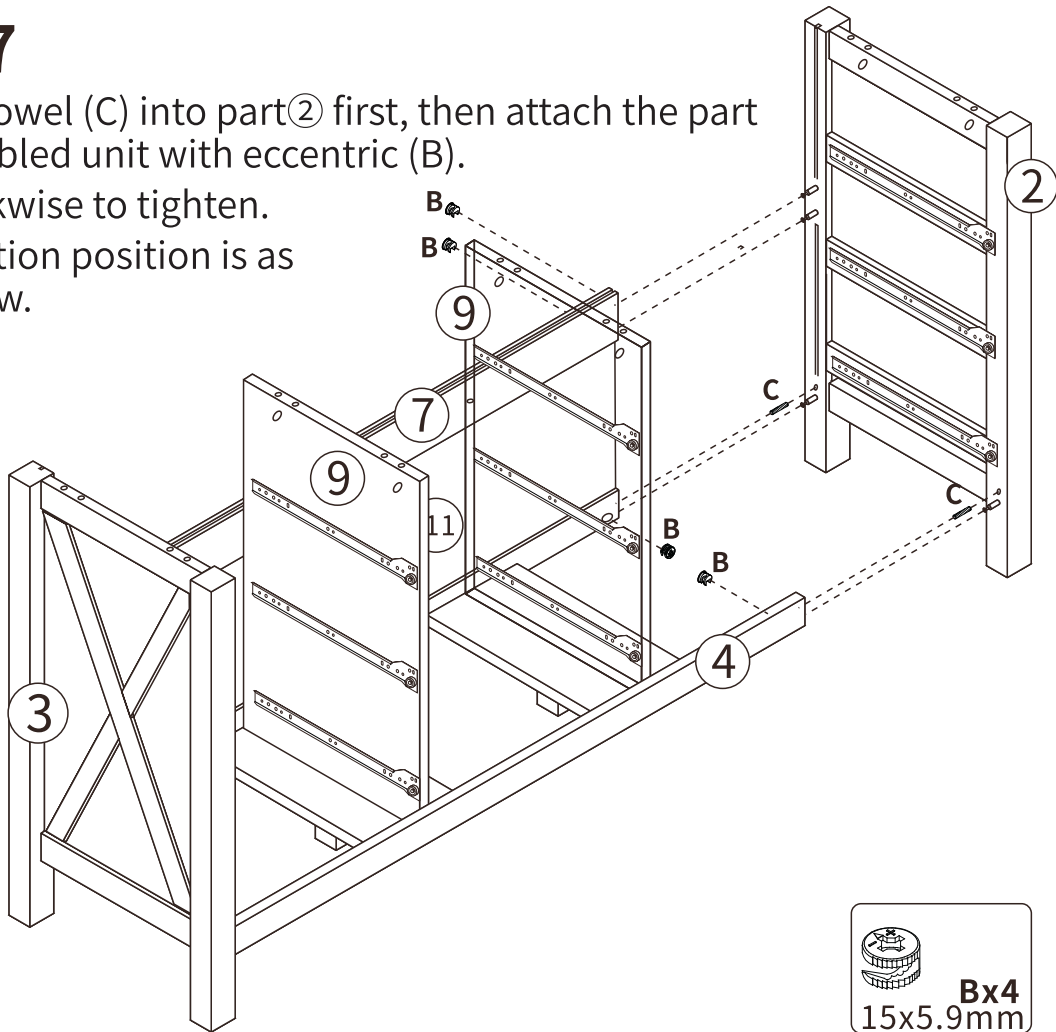


Step 7

Insert the dowel (C) into part ② first, then attach the part ② to assembled unit with eccentric (B).

Turn it clockwise to tighten.

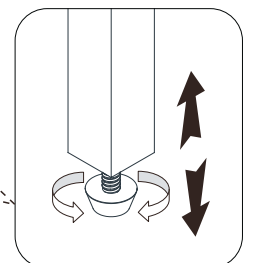
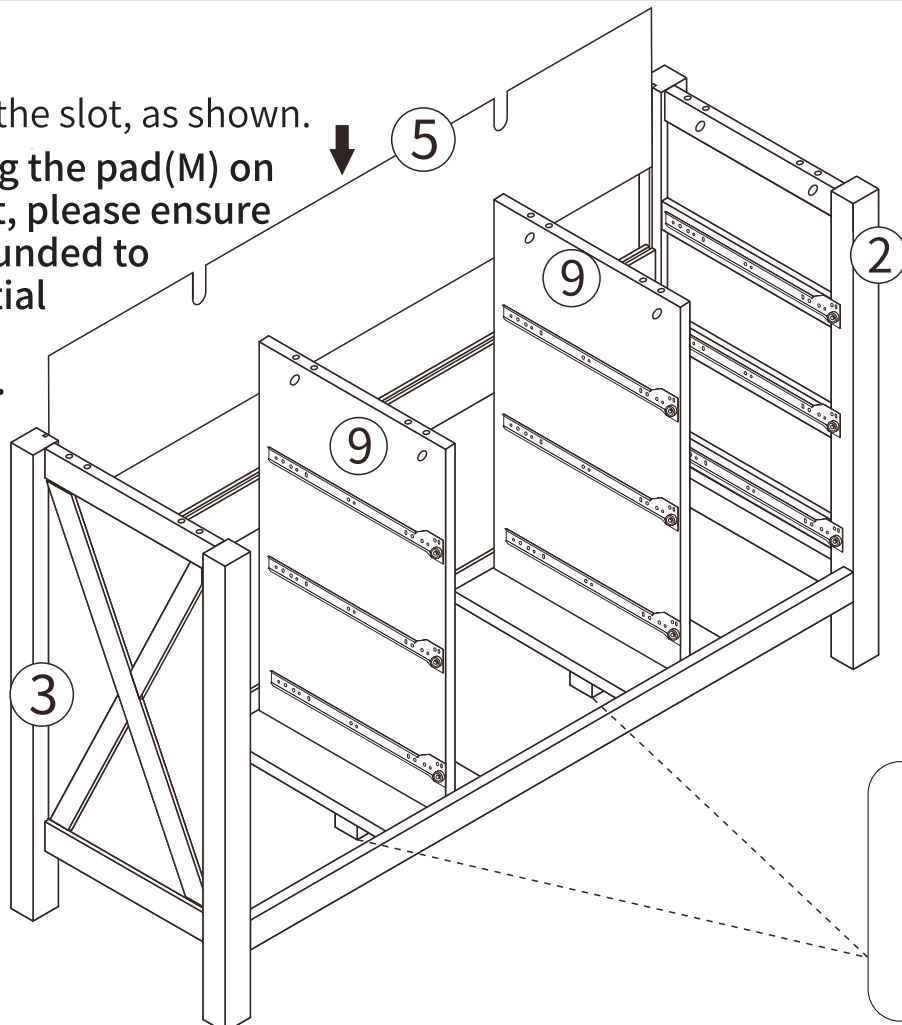
The installation position is as shown below.



Step 8

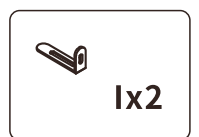
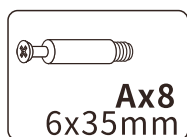
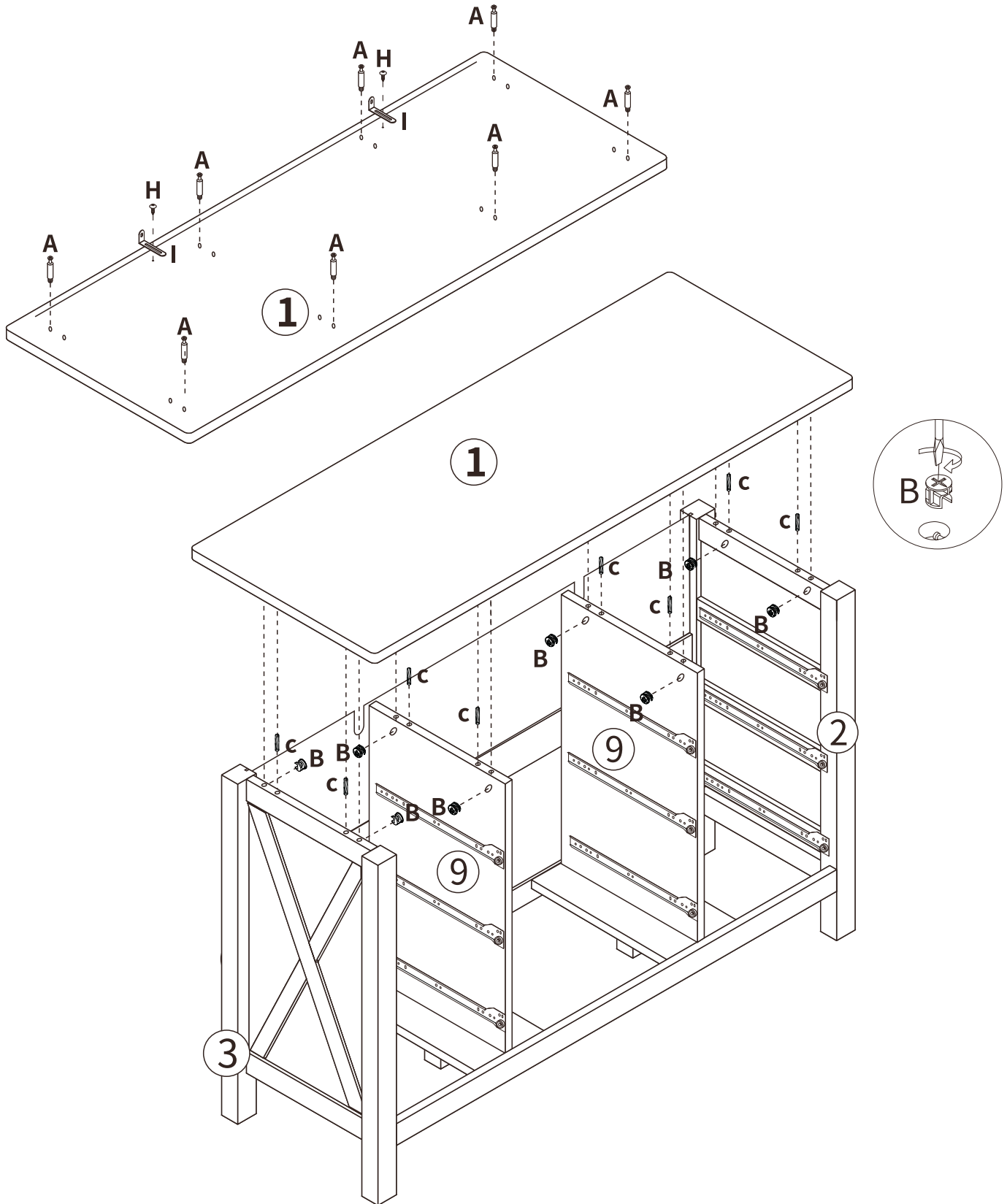
Insert part ⑤ along the slot, as shown.

Tips: After adjusting the pad (M) on the center stay foot, please ensure that it is firmly grounded to prevent any potential dresser collapse caused by hanging.



Step 9

Lock the screw (A) to part ① first, then install the anti-tipping devices (I) to the part ① with screw (H). The installation position is as shown below.
Insert the dowel (C) into parts ③ ⑨ ②, attach part ① to assembled unit with eccentric (B), turn it clockwise to tighten. The installation position is as shown below.

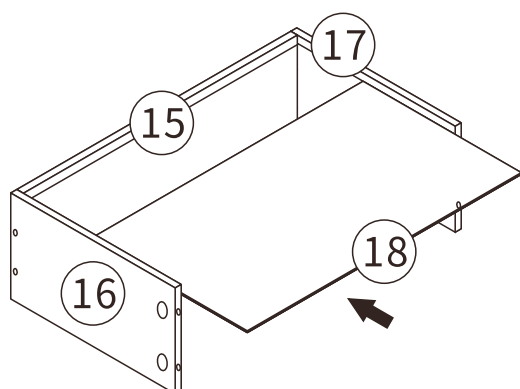
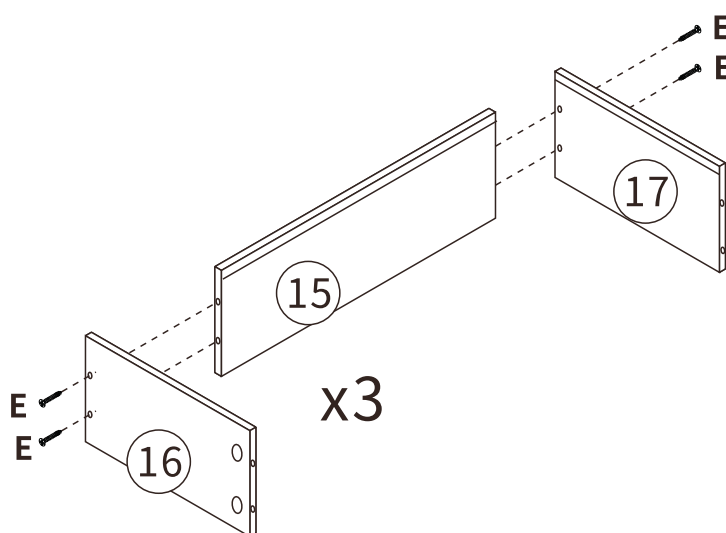
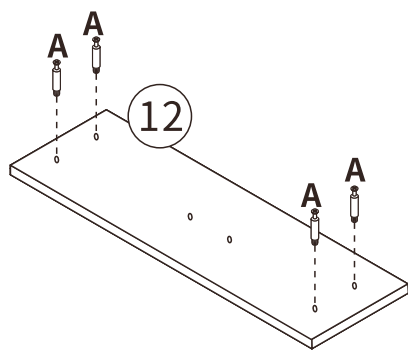


Step 10

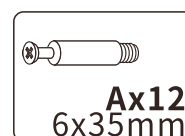
Lock the screw (A) to part 12.

Use the screw (E) to assemble part 15 and parts 16 17.

Insert part 18 along the slot, as shown.



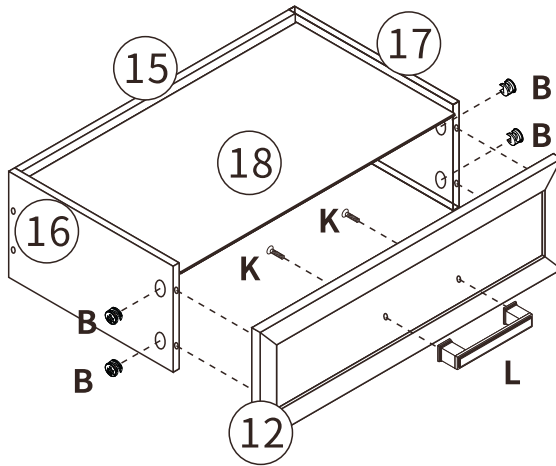
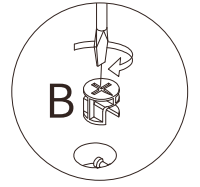
x3



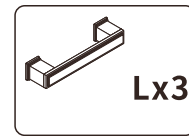
Step 11

Use the screw(K) to lock the handle(L) in the part⑫.

Attach part⑫ to assembled unit with eccentric (B). Turn it clockwise to tighten. The installation position is as shown below.

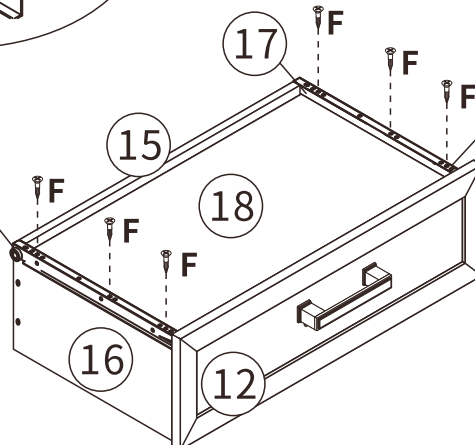
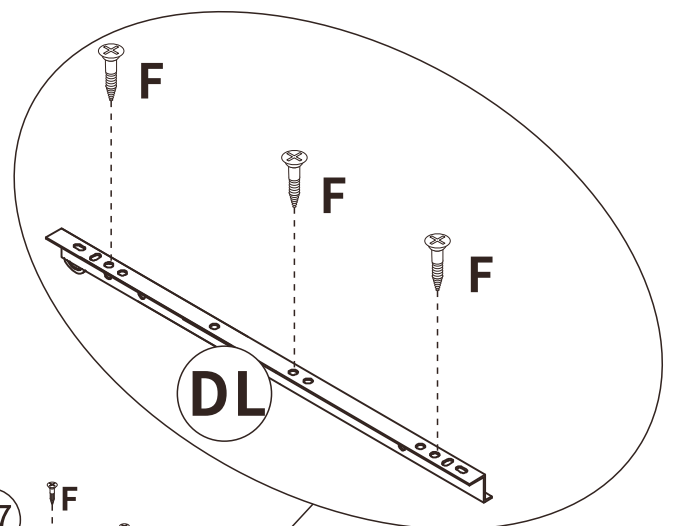
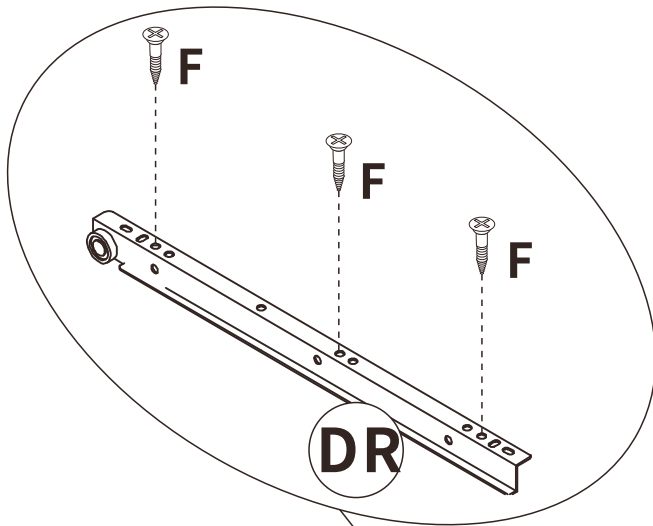


x3

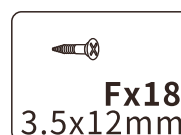


Step 12

Use screws (F) to install guide rail (DR) on the part⑬, and install guide rail (DL) on part⑭. The installation position is as shown in the figure below.

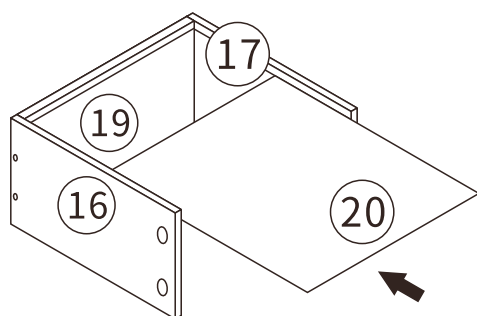
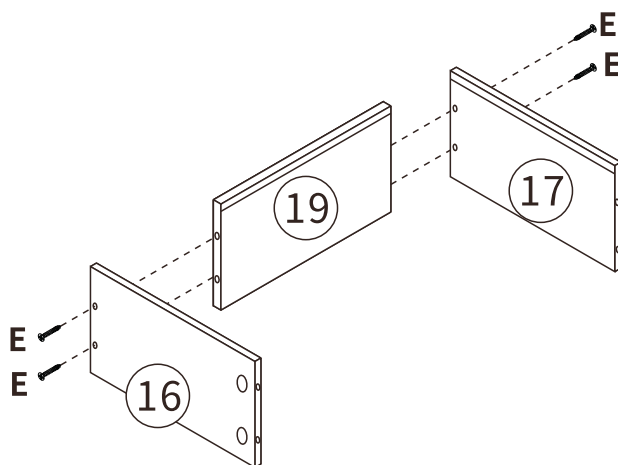
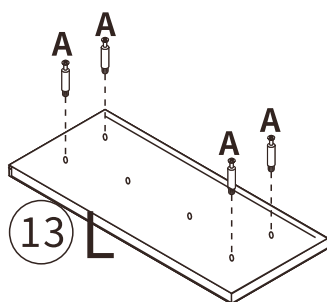


x3



Step 13

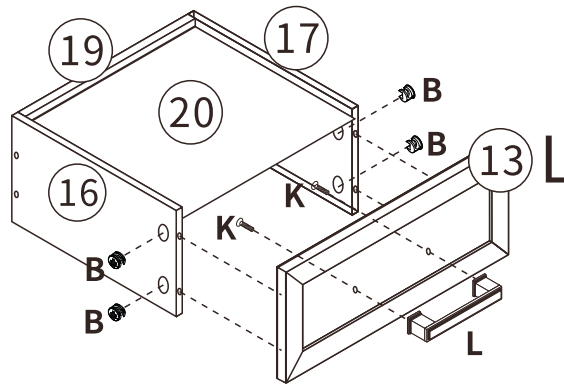
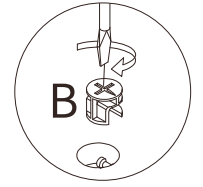
Lock the screw (A) to part⑬.
Use the screw (E) to assemble part⑲ and parts⑯⑰.
Insert part⑳ along the slot, as shown.



x3



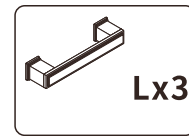
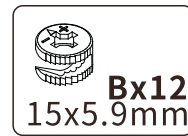
Step 14



x3

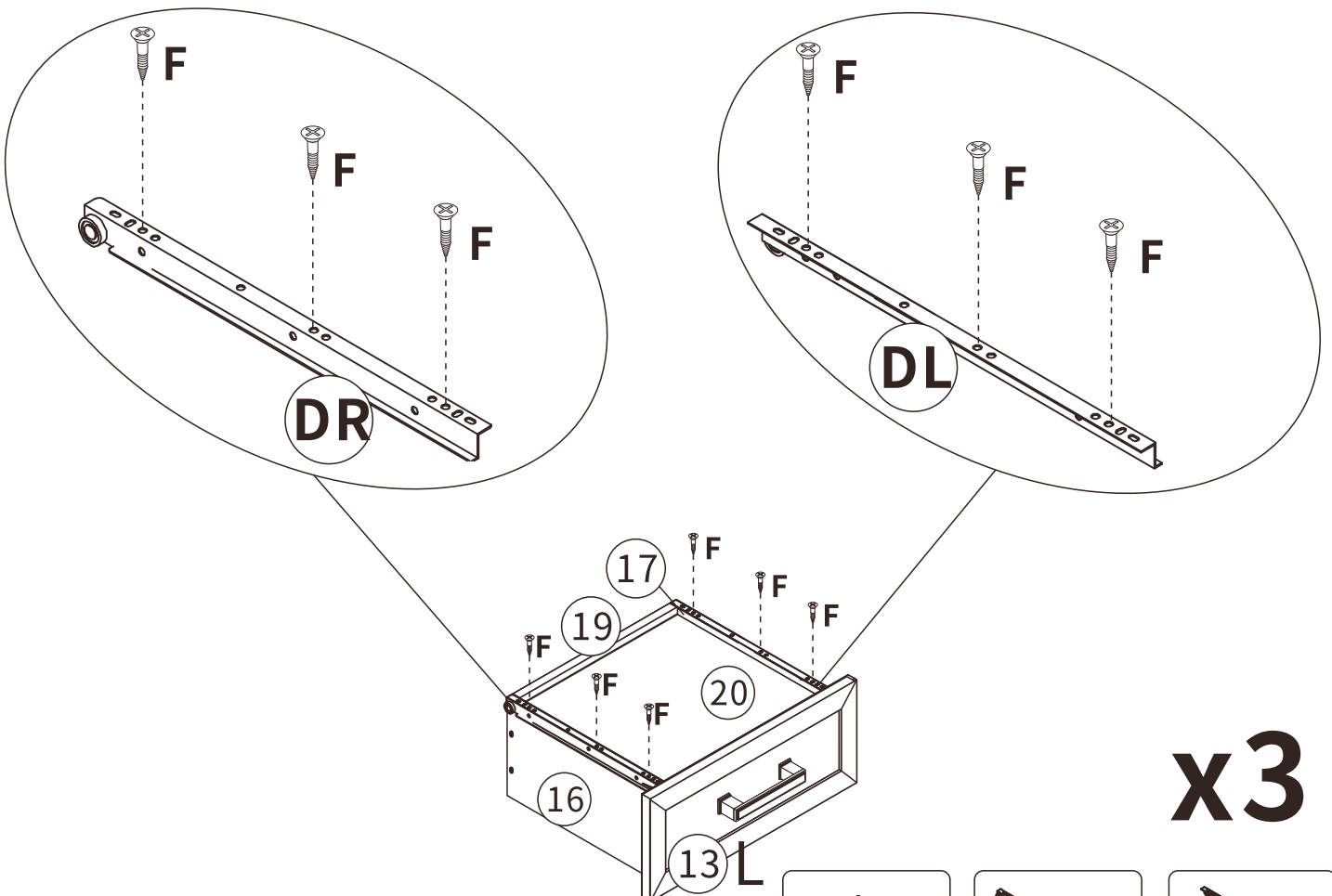
Use the screw(K) to lock the handle(L) in the part⑬.

Attach part⑬ to assembled unit with eccentric (B). Turn it clockwise to tighten. The installation position is as shown below.

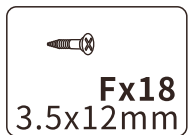


Step 15

Use screws (F) to install guide rail (DR) on the part⑯, and install guide rail (DL) on part⑰. The installation position is as shown in the figure below.



x3

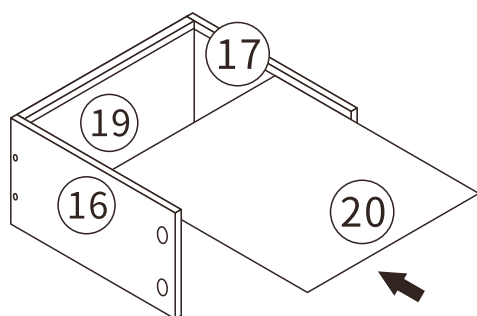
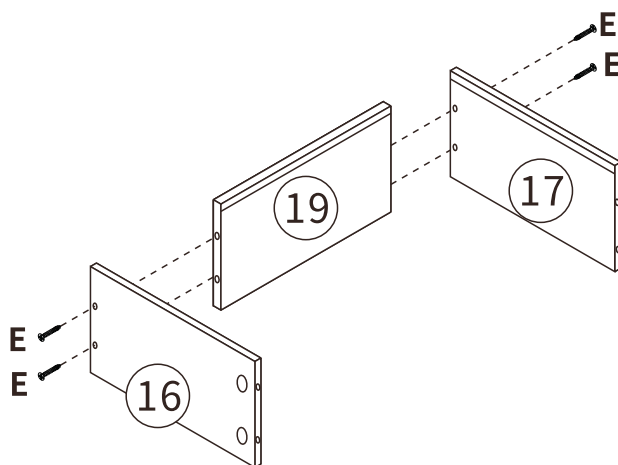
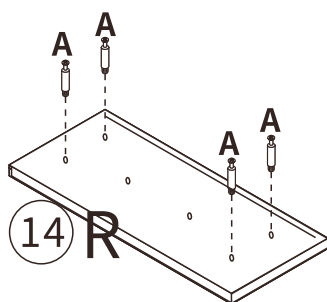


Step 16

Lock the screw (A) to part 14.

Use the screw (E) to assemble part 15 and parts 16 17.

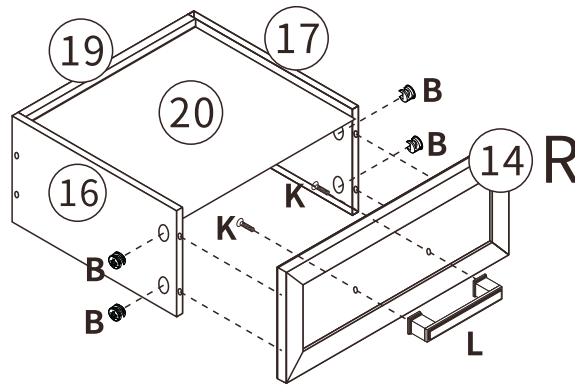
Insert part 20 along the slot, as shown.



x3



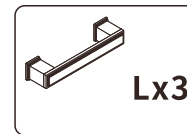
Step 17



Use the screw (K) to lock the handle (L) in the part ⑭.

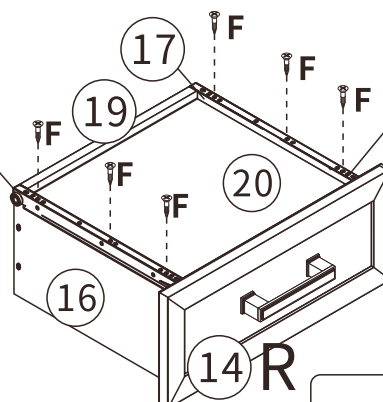
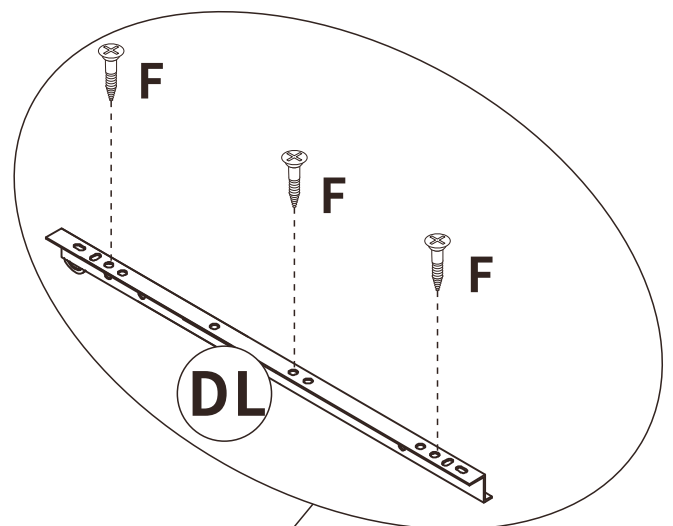
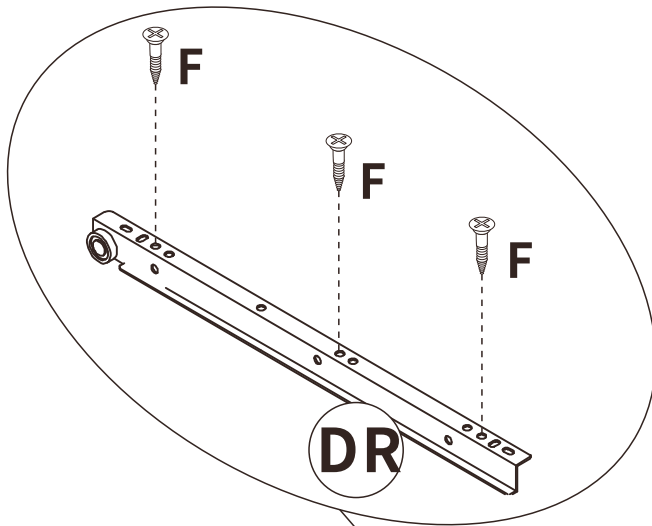
Attach part ⑭ to assembled unit with eccentric (B). Turn it clockwise to tighten. The installation position is as shown below.

x3



Step 18

Use screws (F) to install guide rail (DR) on the part ⑮, and install guide rail (DL) on part ⑯. The installation position is as shown in the figure below.

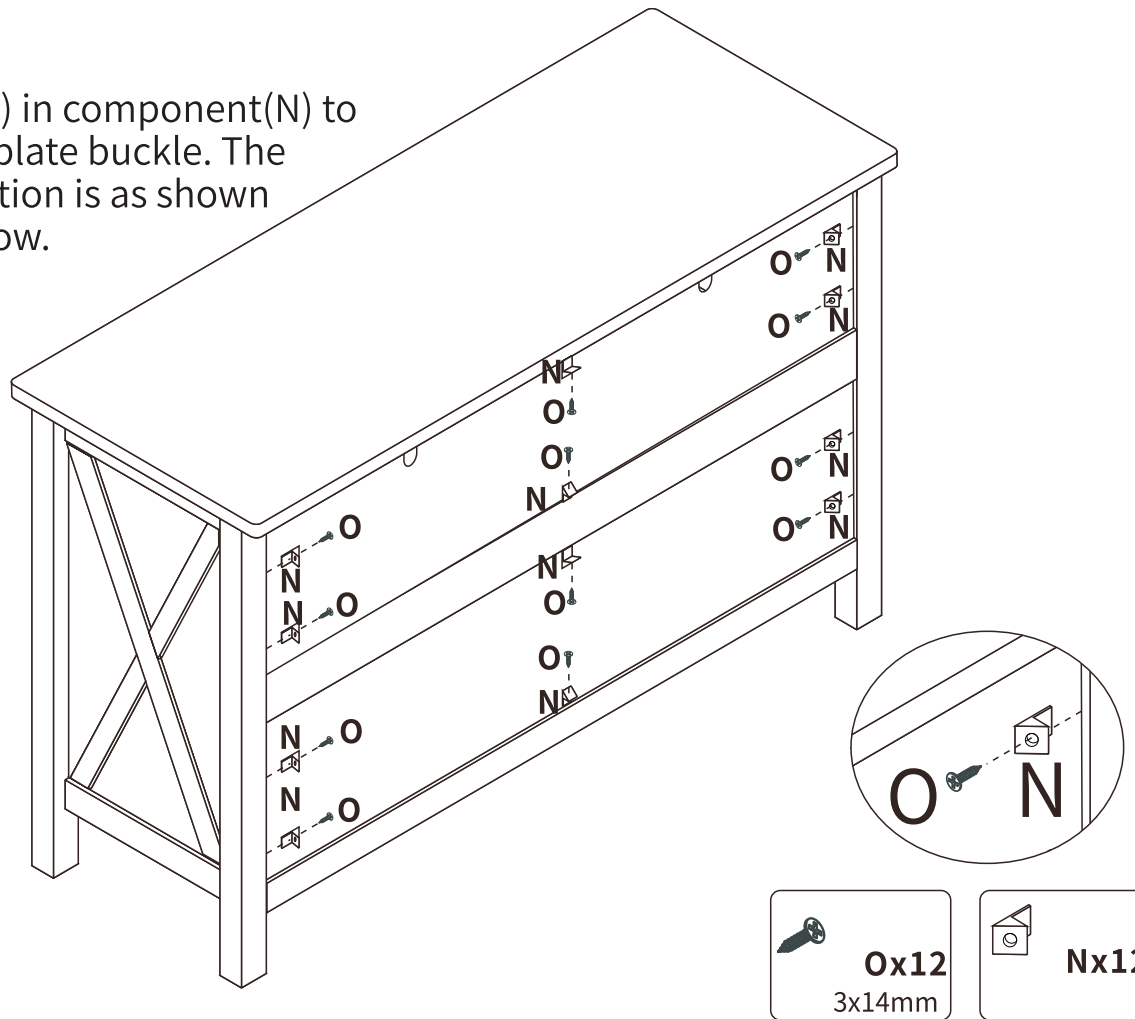


x3



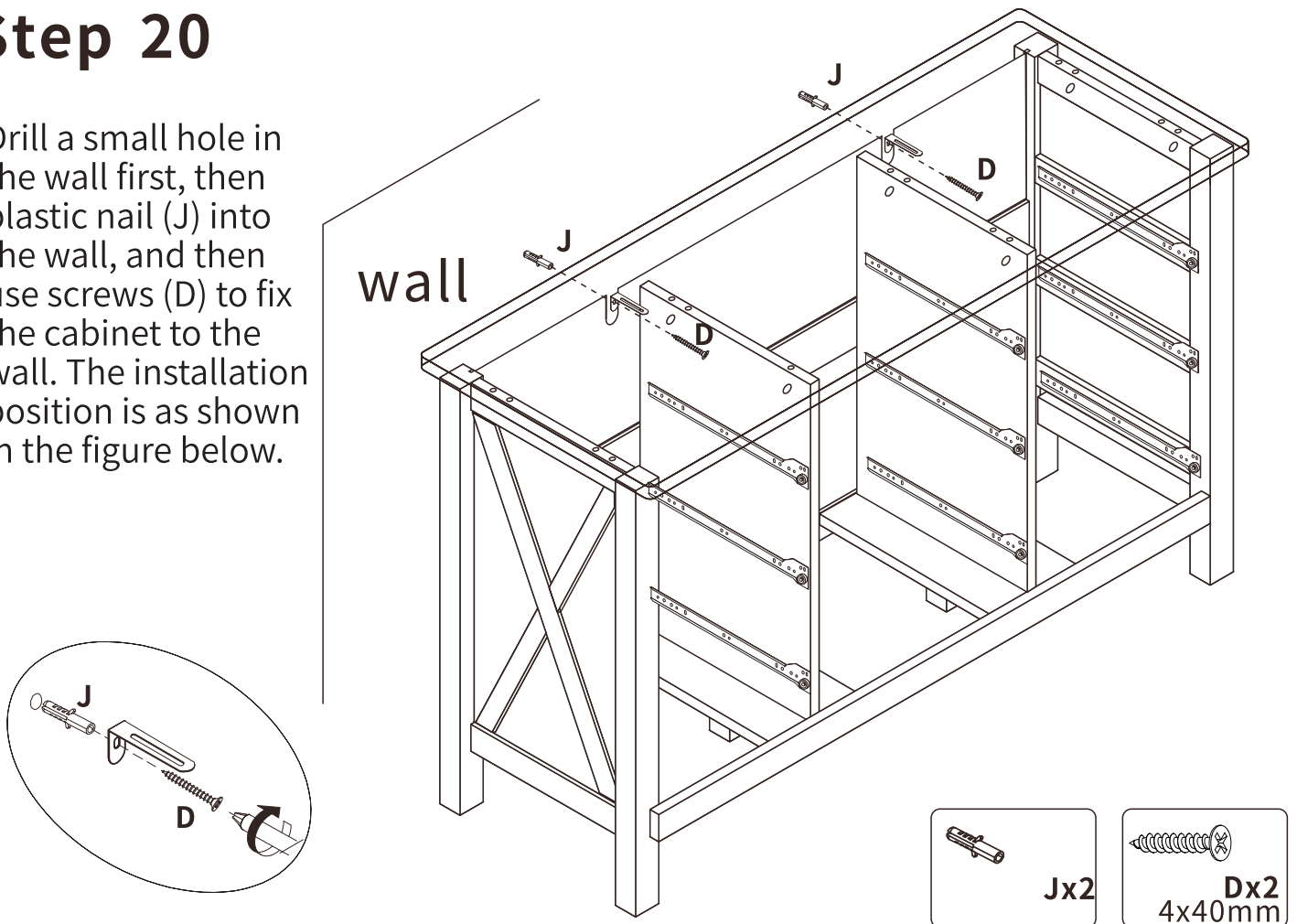
Step 19

Use the screw (O) in component (N) to fasten the back plate buckle. The installation position is as shown in the figure below.



Step 20

Drill a small hole in the wall first, then plastic nail (J) into the wall, and then use screws (D) to fix the cabinet to the wall. The installation position is as shown in the figure below.



Step 21

The drawer slides must be aligned with the internal rails, otherwise the drawer will tilt.

