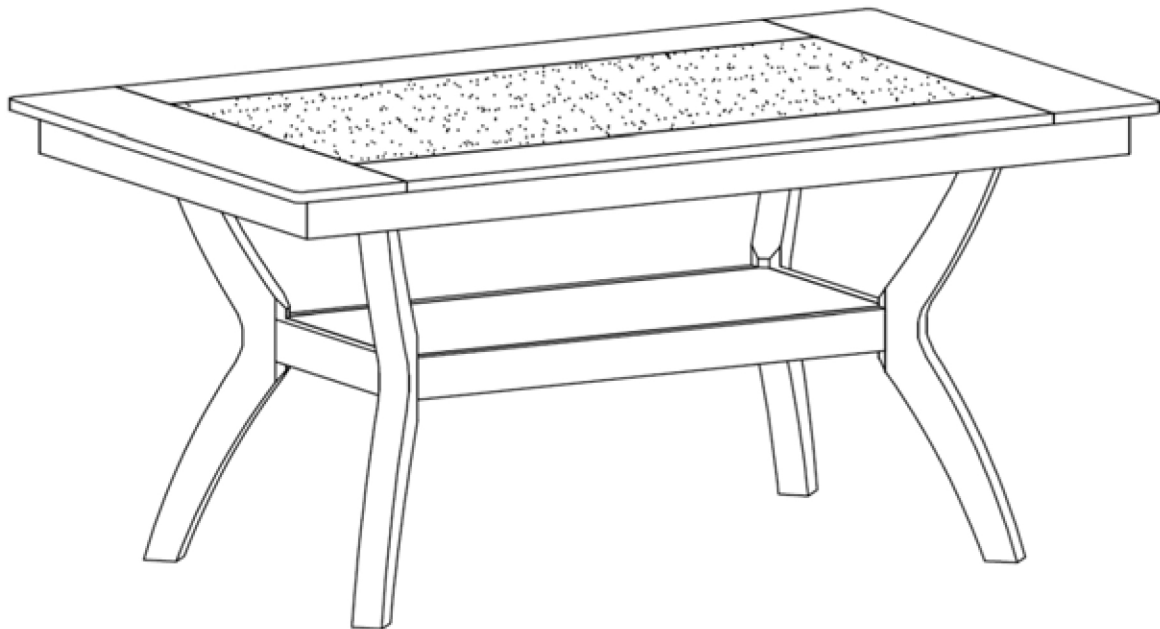


# Assembly Instructions



## ASSEMBLY RATING

The Assembly Rating is a 5-point system that shows the degree of effort needed in assembling a specific product (with 1 being easy and 5 being difficult). For some products, two persons are recommended.

EASY  DIFFICULT

## Tools Required for Assembly:

Allen Wrench



(Included)

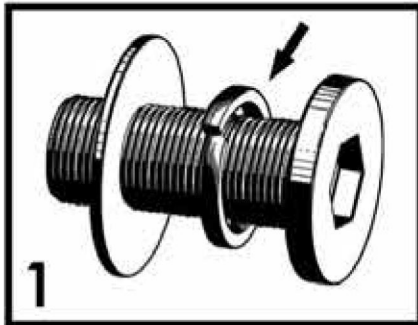


2 PERSONS RECOMMENDED

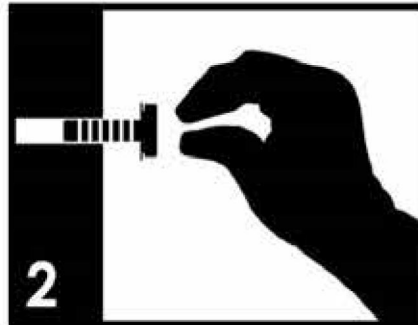
# ASSEMBLY & CARE ADVICE

FOR YOUR FURNITURE TO LAST, CORRECT ASSEMBLY AND PROPER MAINTENANCE ARE NECESSARY. PLEASE FOLLOW THE INFORMATION PROVIDED BELOW TO FULLY ENJOY YOUR FURNITURE.

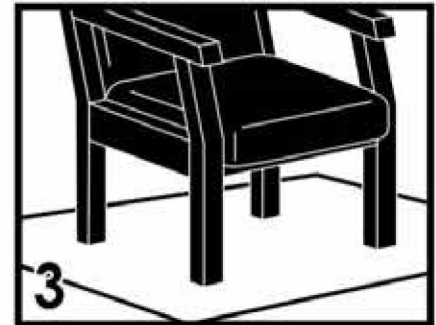
## BASIC ASSEMBLY TECHNIQUES



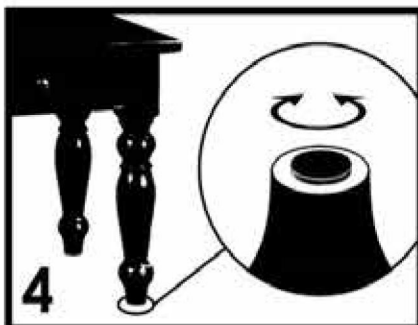
1 When lock or spring washer is used in an assembly, please make sure the lock or spring washer is placed between the larger flat washer and the head of the screw or bolt.



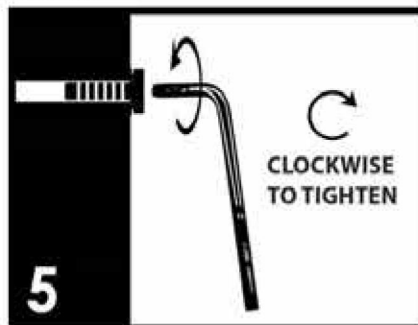
2 Position each part correctly and insert screws or bolts into their respective holes by hand tighten or using the proper hand tool. Only tighten when step is completed or when instructed to do so.



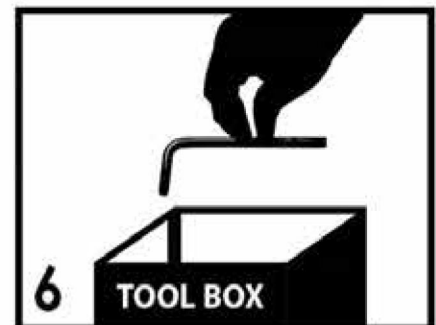
3 Use cardboard or carpet area when assembling furniture to prevent scratches. Make sure the furniture rests on a flat and level surface with each leg evenly touching the floor.



4 Some furniture comes with height adjustment knobs underneath each leg. To lower or to raise each leg, you need to turn clockwise or counterclockwise, respectively.



5 Make sure all parts are properly aligned, then use the appropriate hand tool to completely tighten the bolts or screws. Do not use power tools and do not overtighten.



6 Save the instructions and store the Allen wrench or any supplied tool for later maintenance. After two weeks, check and tighten any loose hardware and repeat again every six months thereafter.

IT IS THE USER'S RESPONSIBILITY TO MAINTAIN THE FURNITURE. THE HARDWARE MAY LOOSEN OVER TIME AND MAY CAUSE THE FURNITURE TO BE WOBBLY AND UNABLE TO SUPPORT ITS INTENDED WEIGHT CAPACITY. THIS MAY LEAD TO COLLAPSE AND MAY CAUSE SERIOUS INJURY.



FAILURE TO FOLLOW THE GUIDELINES ABOVE MAY RESULT IN INJURY AND/OR PROPERTY DAMAGE.



Before you begin, please read Page 2 of "Assembly and Care Advice".

And remember, do not tighten until each step is completed or instructed.

MD

### Parts List



#1 x 1 pc  
Table Top



#2 x 1 pc  
Bottom Shelf



#3 x 2 pcs  
Leg Support



#4 x 4 pcs  
Leg

### Hardware List



#A x 8 pcs  
Bolt 5/16"x3"



#B x 12 pcs  
Bolt 5/16"x1-1/2"



#C x 20 pcs  
Lock Washer



#D x 20 pcs  
Flat Washer



#E x 1 pc  
Allen Wrench

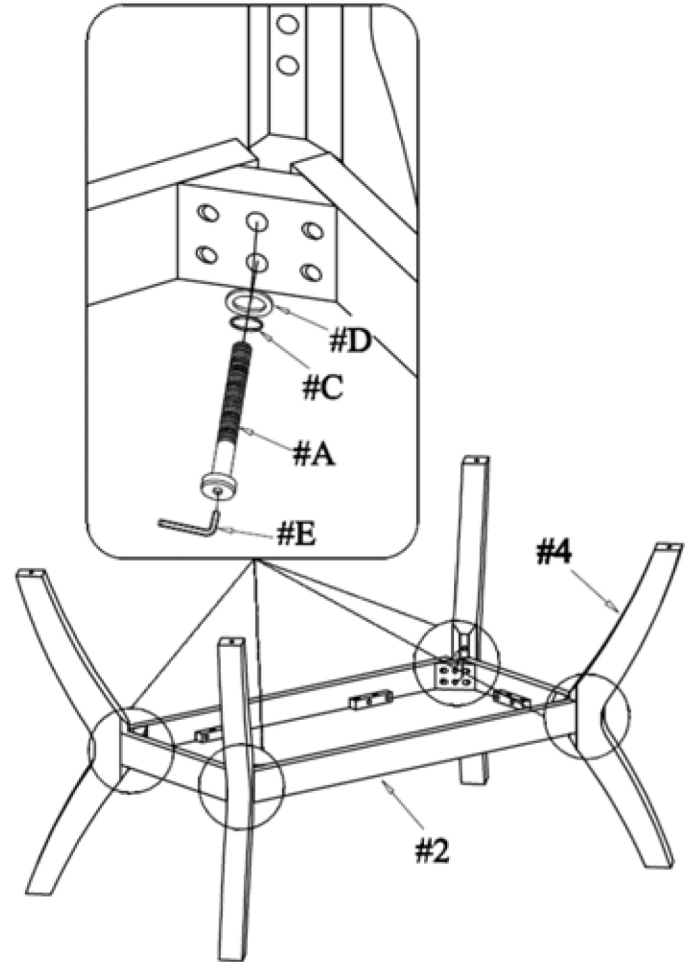


Due to the size and/or weight of this product, it is highly recommended that the assembly should be done near the area of its intended location. Make sure you have enough space to move around during the assembly. ALWAYS have at least two people to help with transporting and assembling the product to avoid any potential injury and/or damage.



- #A x 8 pcs
- #C x 8 pcs
- #D x 8 pcs

Turn right (clockwise) to tighten

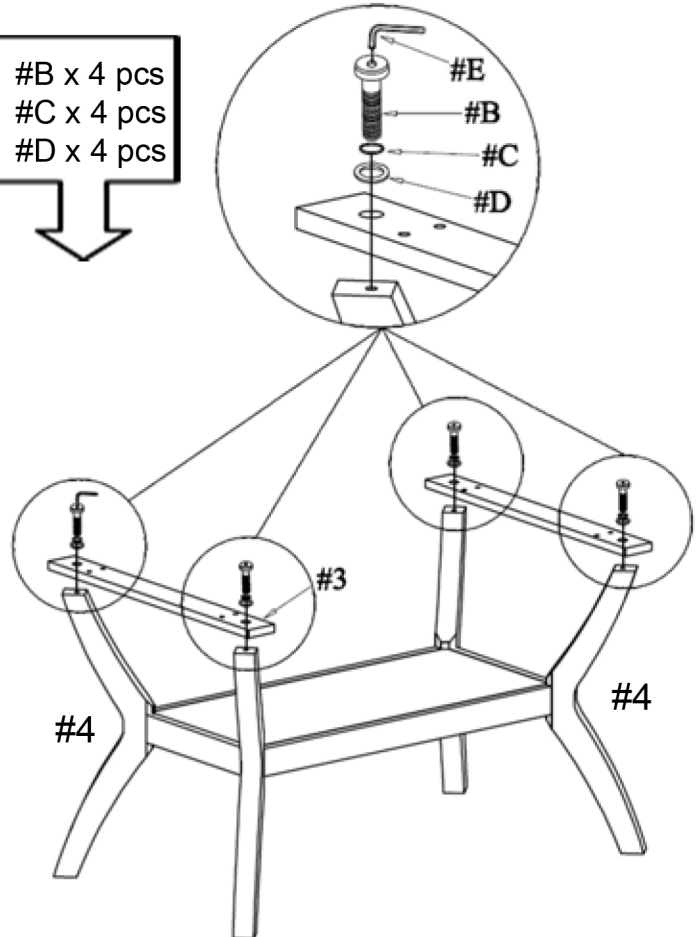


- I. Align the legs (#4) with the pre-drilled holes on the bottom shelf (#2).
- II. Prepare 8 bolt assemblies by inserting FIRST the lock washer (#C) onto the bolt (#A) and then the flat washer (#D) onto the SAME bolt (#A), in that order.
- III. Insert the bolt assemblies through the pre-drilled holes of the bottom shelf (#2) and secure those bolts using the Allen wrench (#E) to lock them in with the legs.



- #B x 4 pcs
- #C x 4 pcs
- #D x 4 pcs

Turn right (clockwise) to tighten

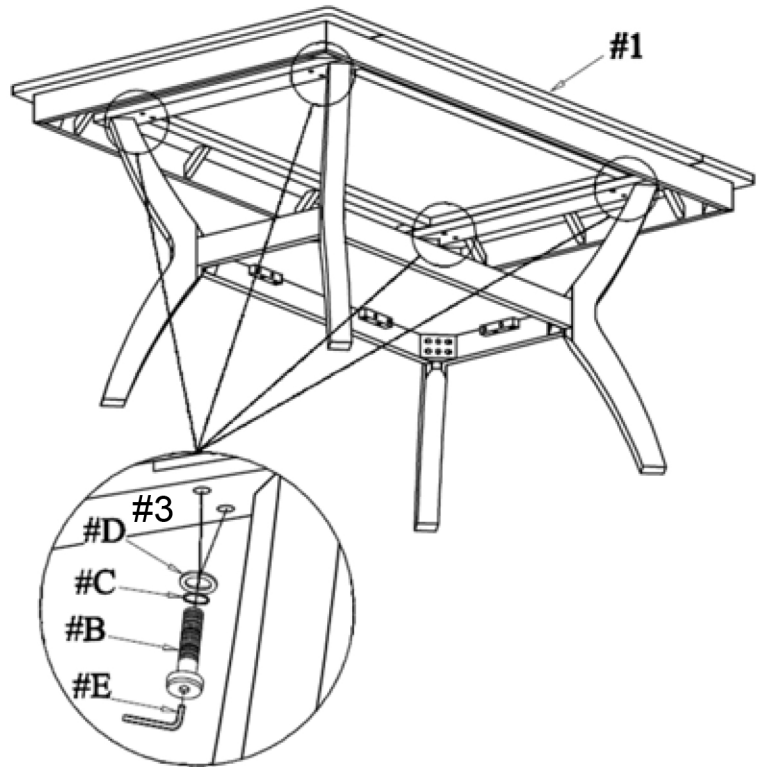


- I. Align the leg support (#3) with the pre-drilled holes of the legs (#4).
- II. Prepare 2 bolt assemblies by inserting FIRST the lock washer (#C) onto the bolt (#B) and then the flat washer (#D) onto the SAME bolt (#B), in that order.
- III. Insert the bolt assemblies through the pre-drilled holes of the leg support (#3) and secure those bolts using the Allen wrench (#E) to lock them in with the legs (#4).
- IV. Repeat process above to assemble the other leg support (#3) onto the other legs (#4).



#B x 8 pcs  
#C x 8 pcs  
#D x 8 pcs

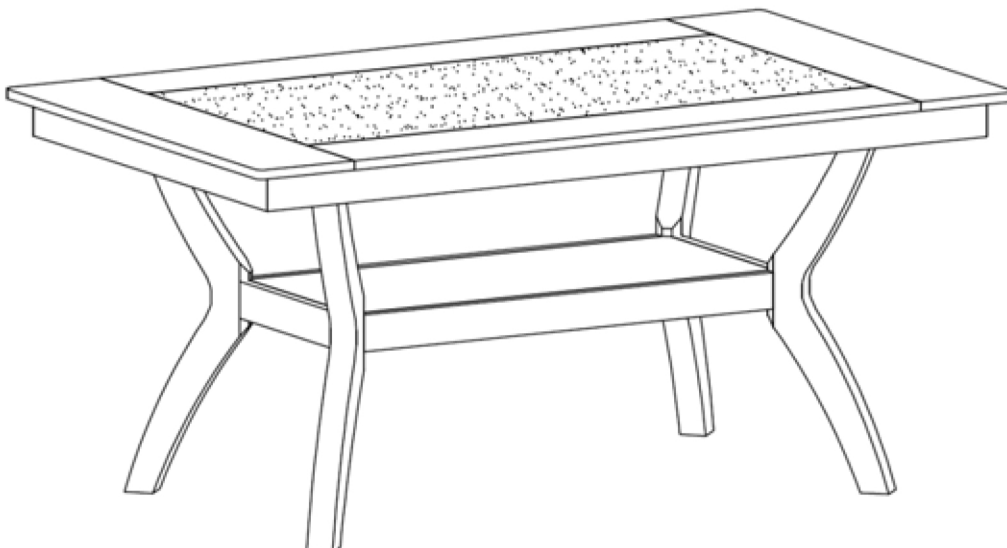
- I. With the help of another person, carefully align the table top (#1) with the pre-drilled holes on the leg supports (#3).
- II. Prepare 8 bolt assemblies by inserting FIRST the lock washer (#C) onto the bolt (#B) and then the flat washer (#D) onto the SAME bolt (#B), in that order.
- III. Insert the bolt assemblies through the pre-drilled holes of the leg supports (#3) and secure those bolts using the Allen wrench (#E) to lock them in with the table top (#1).



Turn right (clockwise) to tighten



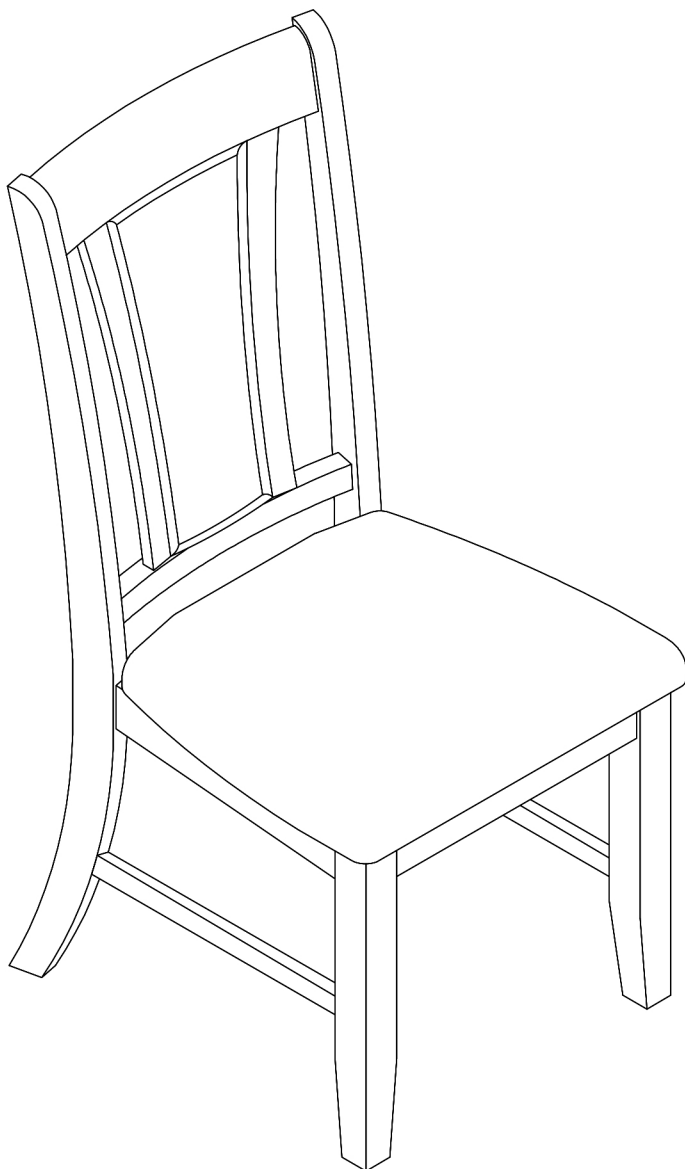
Make sure the table is rested on a flat surface and it does not feel loose or wobbly. If it does, double check that the bolts are secured and properly tighten.



ASSEMBLY IS COMPLETED

# ASSEMBLY INSTRUCTIONS

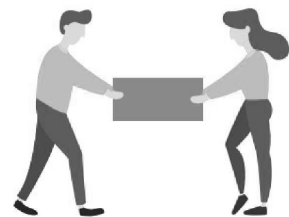
---



## TOOLS REQUIRED

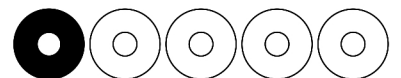


**Allen Wrench**  
(Included)



**2 - People**  
Recommended

## ASSEMBLY RATING



EASY —————> DIFFICULT

The Assembly Rating is a 5-point system showing the level of effort needed to assemble a specific product.



## **CHECK BEFORE STARTING**

### **Are you missing anything?**

Double-check all parts, hardware and accessories listed are all accounted for.

### **Should we send any replacements?**

Are there any irregularities or flaws in the parts? We can send replacements!

### **Check out our Quick Tips!**

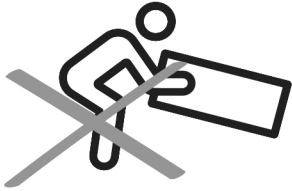
We recommend reviewing the pre-assembly handouts. Even experts need a refresher now and then!

### **Prep Time!**

Please review the assembly instructions and all diagrams prior to assembling.

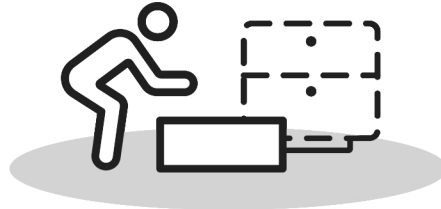
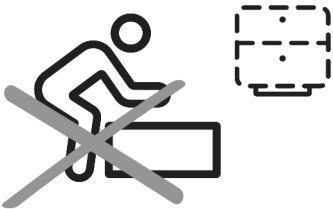
# PRE ASSEMBLY INTRODUCTION

We understand building ready-to-assemble furniture can be a challenging experience for some. To help avoid confusion, we have provided some helpful tips that may speed up the process.



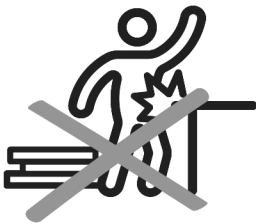
## Teamwork

ALWAYS have at least two people to help with transporting and assembling the product to avoid potential injury and/or damage.



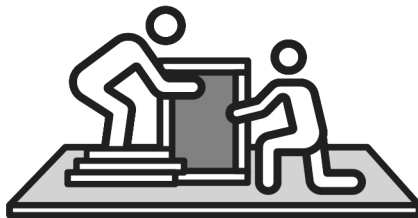
## Suitable Location

Assembling near the area of the intended location is highly recommended.



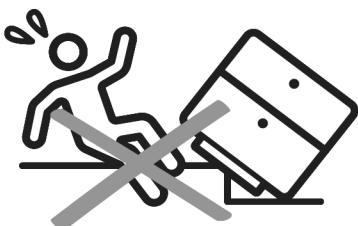
## Sufficient Space

Make sure you have enough space to move around during the assembly.



## Avoid Scratches

Use cardboard, blankets or a carpeted area while assembling furniture to prevent to prevent scratches and damages.



## Flat Surface

Make sure the furniture rests on a flat and level surface with each leg evenly touching the floor.

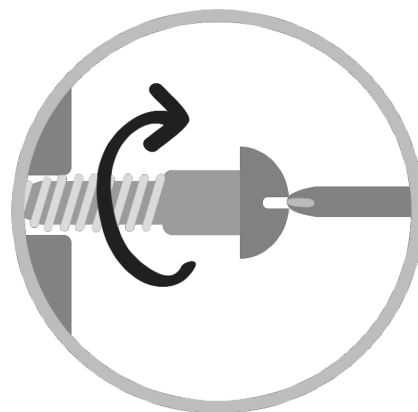
# ASSEMBLY AND CARE ADVICE



**FAILURE TO FOLLOW THE GUIDELINES BELOW MAY  
RESULT IN INJURY AND/OR PROPERTY DAMAGE.**



Position each part correctly  
and insert screws or bolts into  
their respective holes.



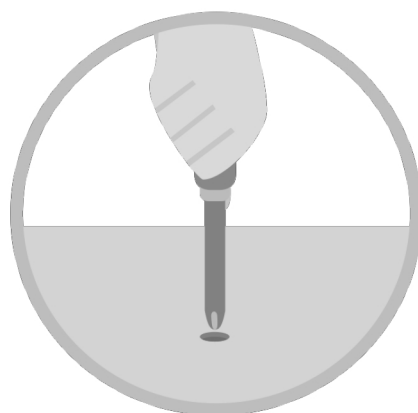
Turn clockwise to tighten and  
only tighten when step is  
completed or when instructed  
to do so.



Use the appropriate hand tools  
or power tools for assembly.  
Select steps, such as tightening  
screws and/or bolts, may require  
hand tools to avoid causing  
damage during assembly.



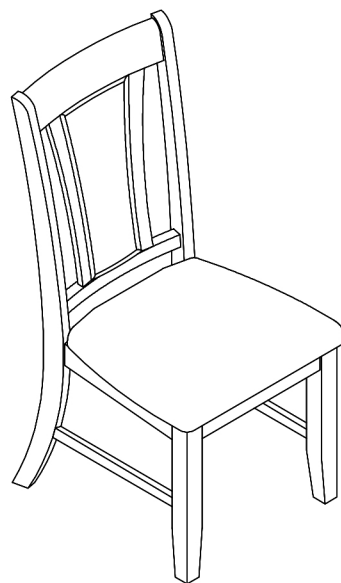
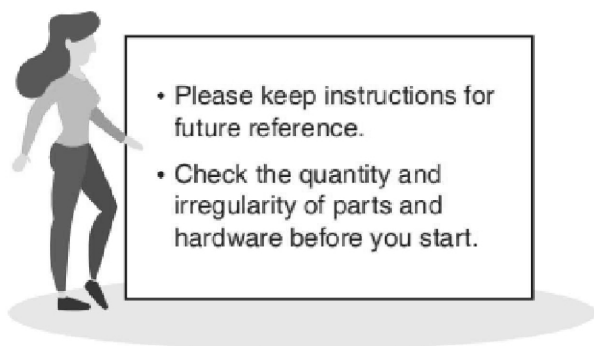
Save the instructions and store  
any supplied tools for later  
maintenance.



After two weeks, check and  
tighten any loose hardware and  
repeat again every six months  
thereafter.

**IT IS THE USER'S RESPONSIBILITY TO MAINTAIN THE FURNITURE. THE HARDWARE MAY LOOSEN OVER TIME AND MAY CAUSE THE FURNITURE TO BE WOBBLY AND UNABLE TO SUPPORT ITS INTENDED WEIGHT CAPACITY. THIS MAY LEAD TO COLLAPSE AND MAY CAUSE SERIOUS INJURY.**

# CHAIR



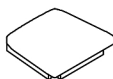
## PARTS

#1 1pc x2



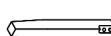
Chair Back

#2 1pc x2



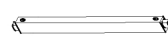
Seat Cushion

#3 2pcs x2



Front Leg(L/R)

#4 2pcs x2



Side Stretcher(L&R)

## HARDWARE

#A 4pcs x2



Bolt  $\text{\O}1/4'' \times 3''$

#B 4pcs x2



Bolt  $\text{\O}1/4'' \times 2-1/2''$

#C 2pcs x2



Bolt  $\text{\O}1/4'' \times 1-1/2''$

#D 10pcs x2



Lock Washer  $\text{\O}1/4''$

#E 10pcs x2



Flat Washer  $\text{\O}1/4''$

#F 1pc x2



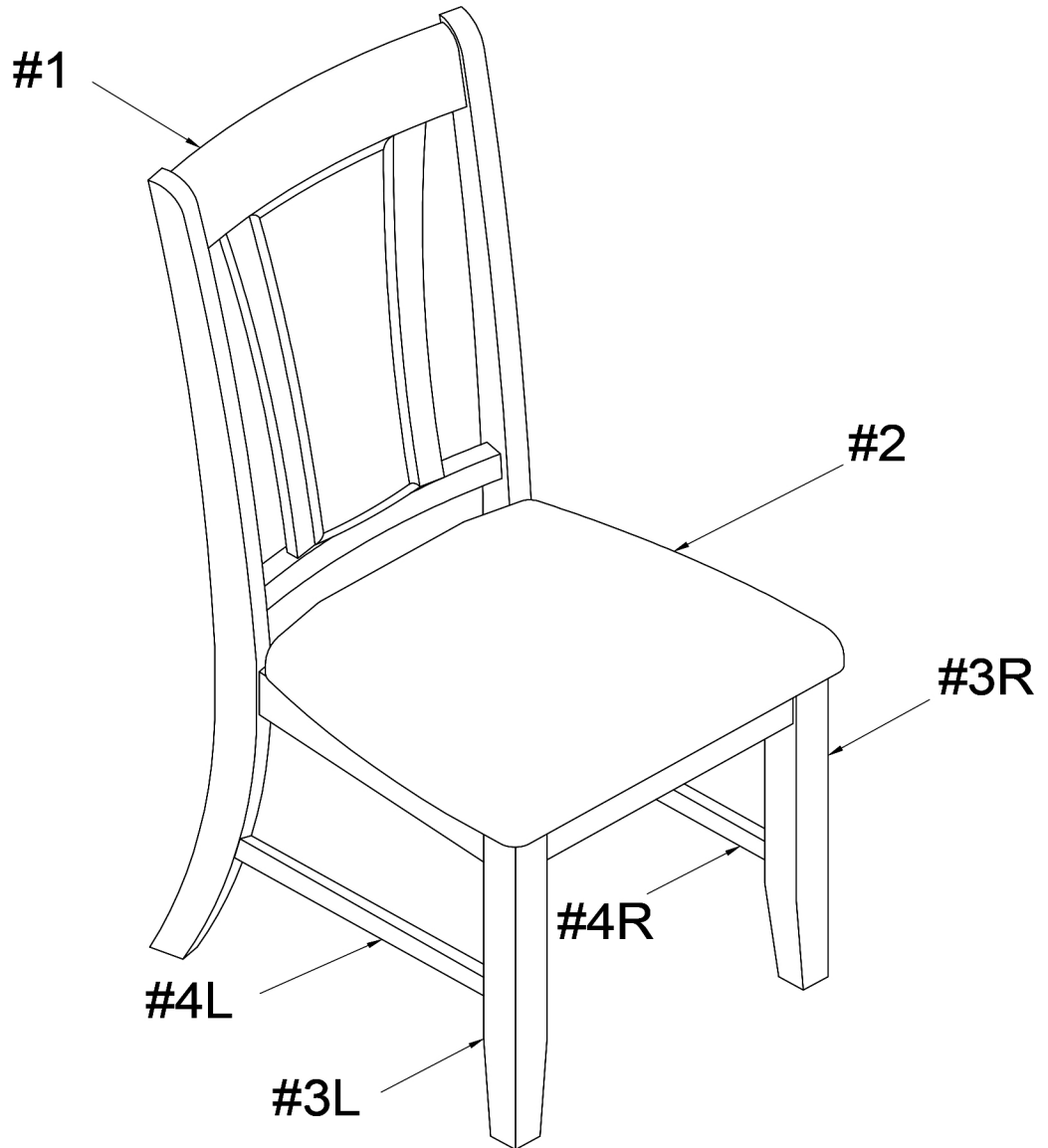
Allen Wrench 4mm

#G 4pcs x2



Screw #8 x 45mm

# Exploded View



# ASSEMBLY INSTRUCTIONS

## 1

Part #1 x1pc

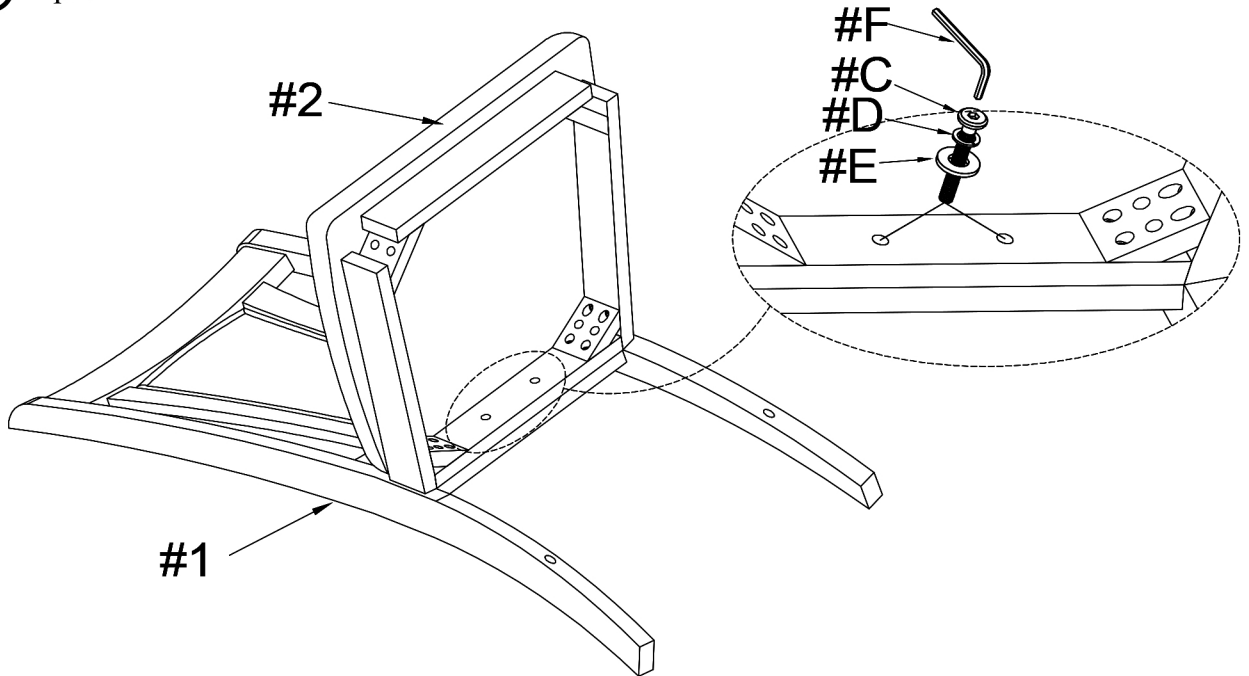
Part #2 x1pc

Hardware #C x 2pcs

Hardware #D x 2pcs

Hardware #E x 2pcs

Align the Center of the Seat Cushion (#2) to the center of the Chair Back (#1) and secure using Bolt (#C) with Washers (#D, #E).



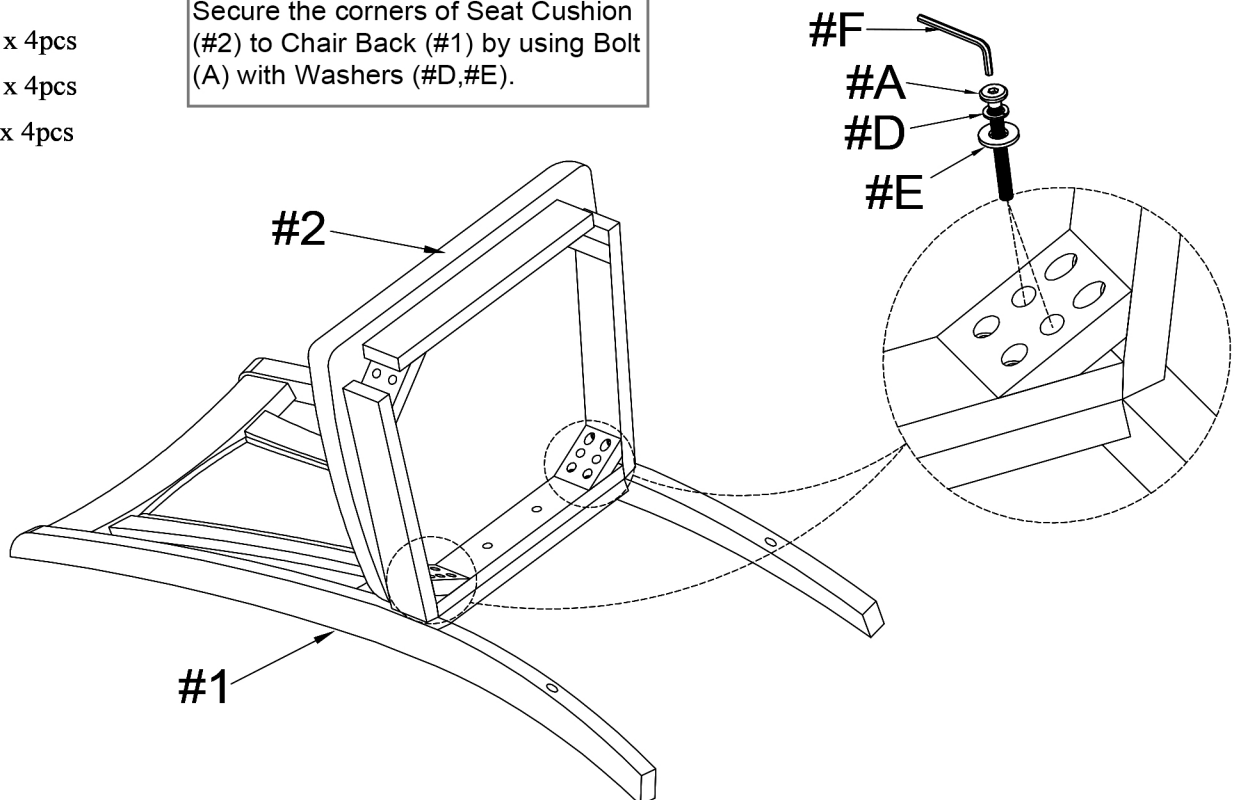
## 2

Hardware #A x 4pcs

Hardware #D x 4pcs

Hardware #E x 4pcs

Secure the corners of Seat Cushion (#2) to Chair Back (#1) by using Bolt (A) with Washers (#D,#E).



# ASSEMBLY INSTRUCTIONS

## 3

Part #3 x2pcs

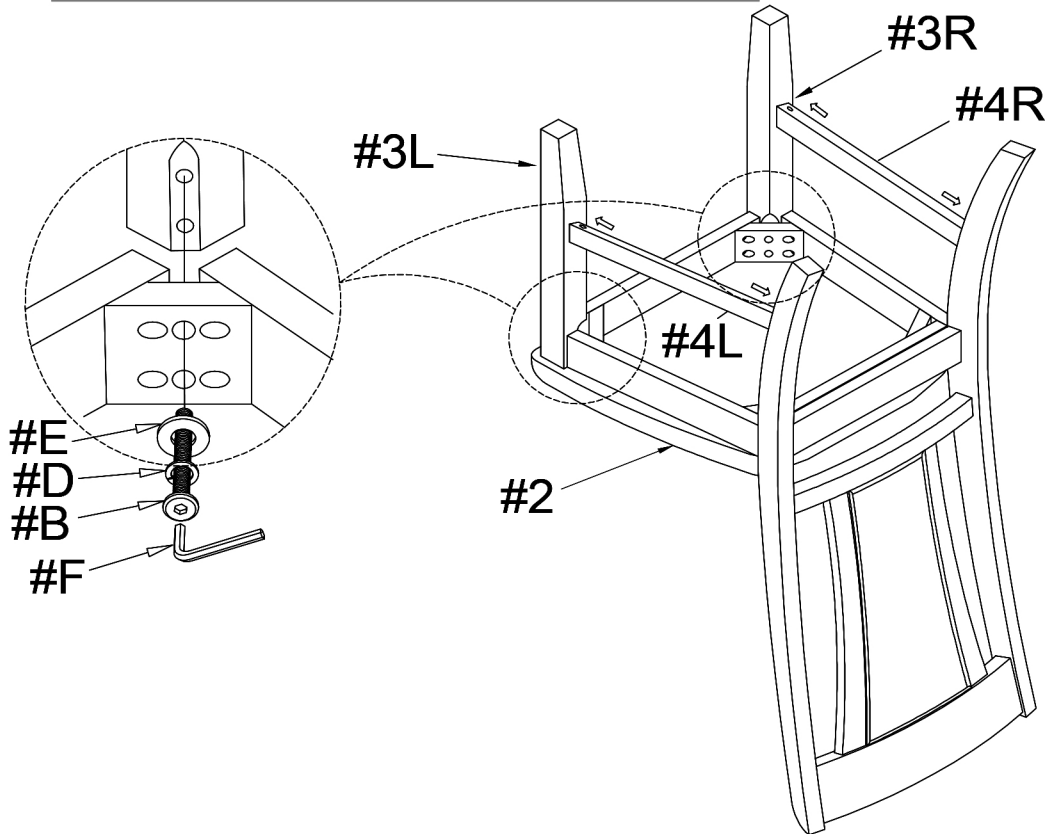
Part #4 x2pcs

Hardware #B x 4pcs

Hardware #D x 4pcs

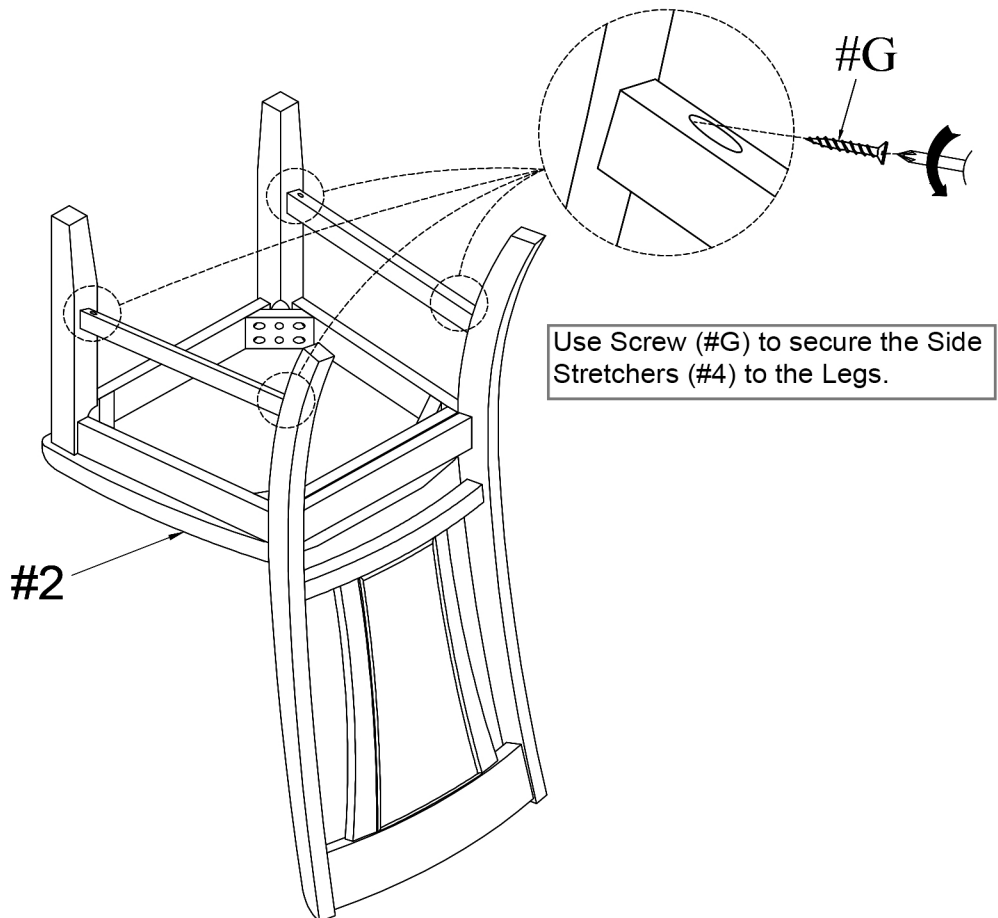
Hardware #E x 4pcs

Align the (L&R) Side Stretchers (#4) to the Chair back and (L&R) Front Legs (#3). Then secure the Front Legs (#3) by using Bolts (#B) with Washers (#D, #E).



## 4

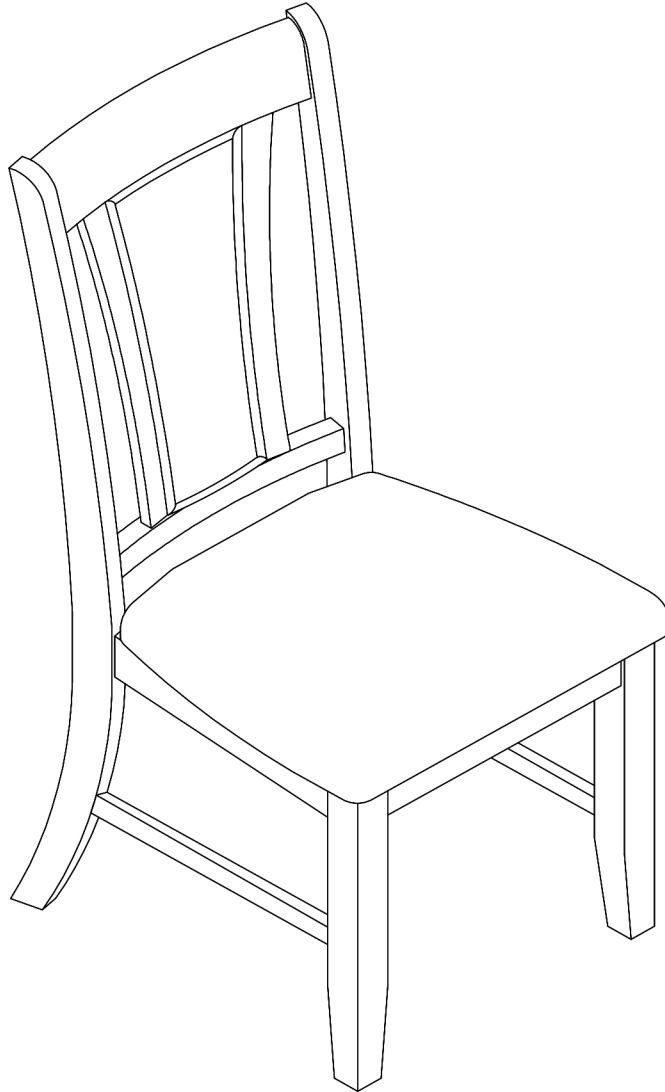
Hardware #G x 4pcs



# ASSEMBLY INSTRUCTIONS

# 5

Part #A x1Set



## ASSEMBLY COMPLETED



Please ensure the furniture rests on an even and flat surface. If the product wobbles or feels loose, double-check all bolts and/or screws are properly tightened and secured.

### ✓ Keep this handy!

Please retain this instruction manual and any order-related information for future reference.

### ✓ Lift, don't drag!

To avoid damage to product please always LIFT the product when transporting or adjusting the placement.