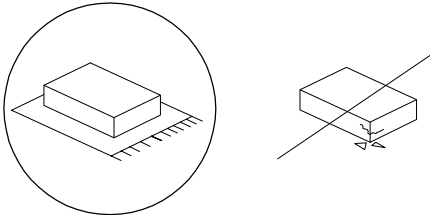

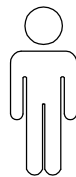
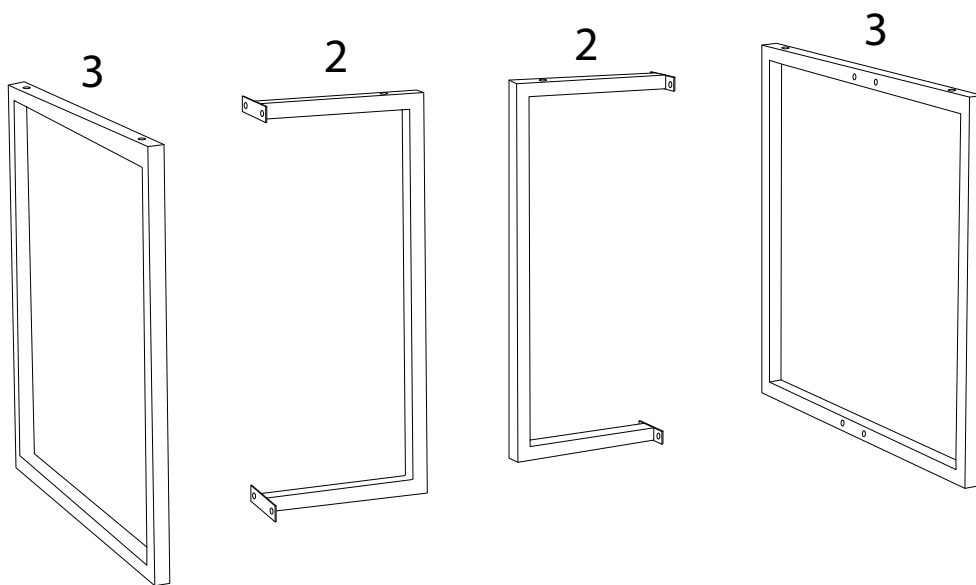
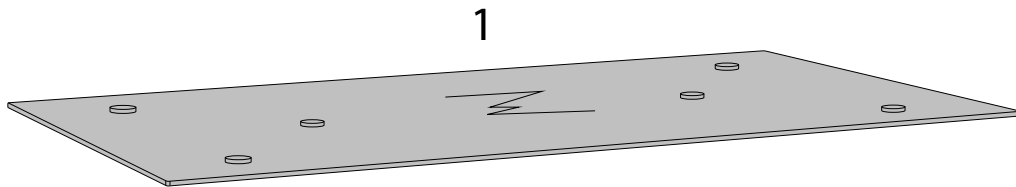

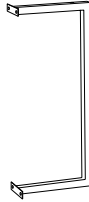
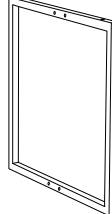
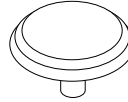
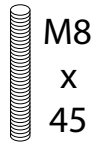

		<p>60'</p>
		
		<p>2</p>



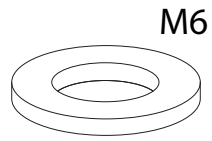
<p>1</p>  <p>x 1</p>	<p>2</p>  <p>x 2</p>	<p>3</p>  <p>x 2</p>	<p>4</p>  <p>x 6</p>
---	---	--	---

A



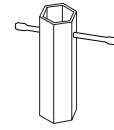
x 6

B



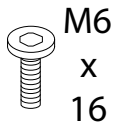
x 8

C



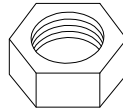
x 1

D



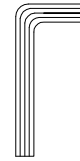
x 8

E



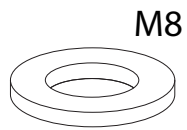
x 6

F



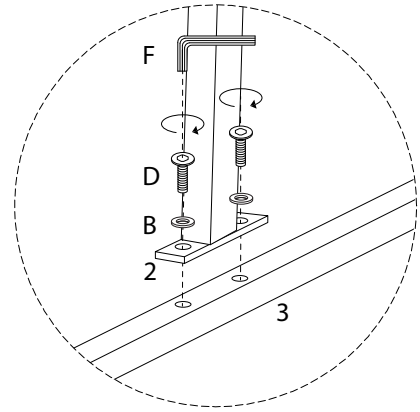
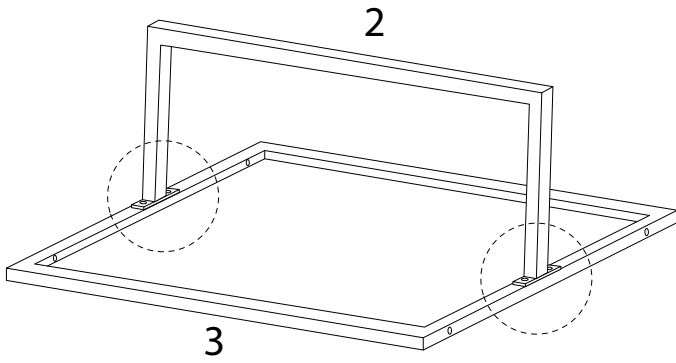
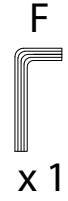
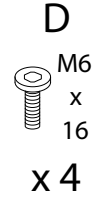
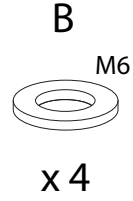
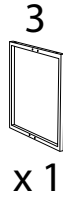
x 1

G

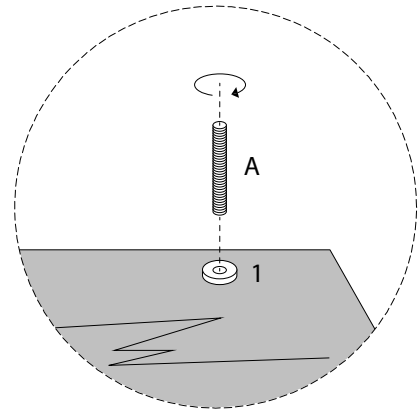
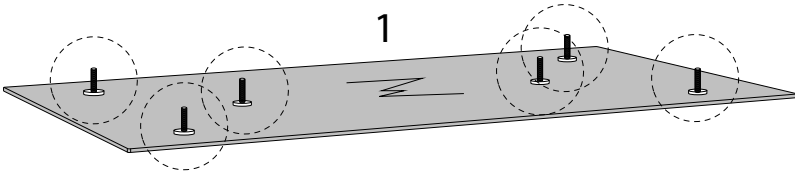
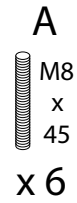
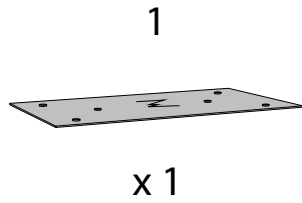


x 6

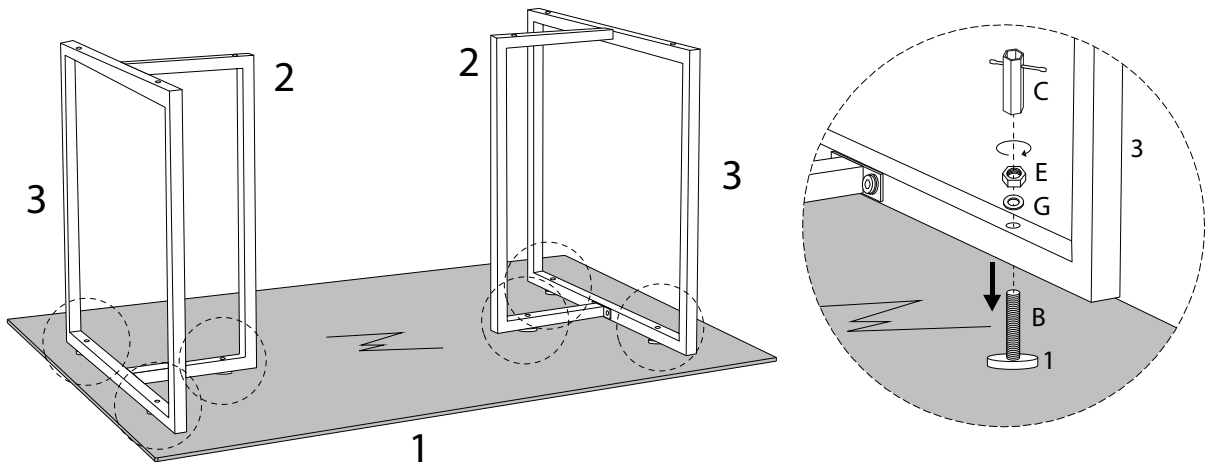
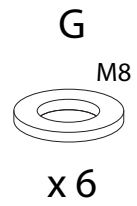
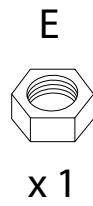
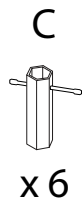
1 x 2



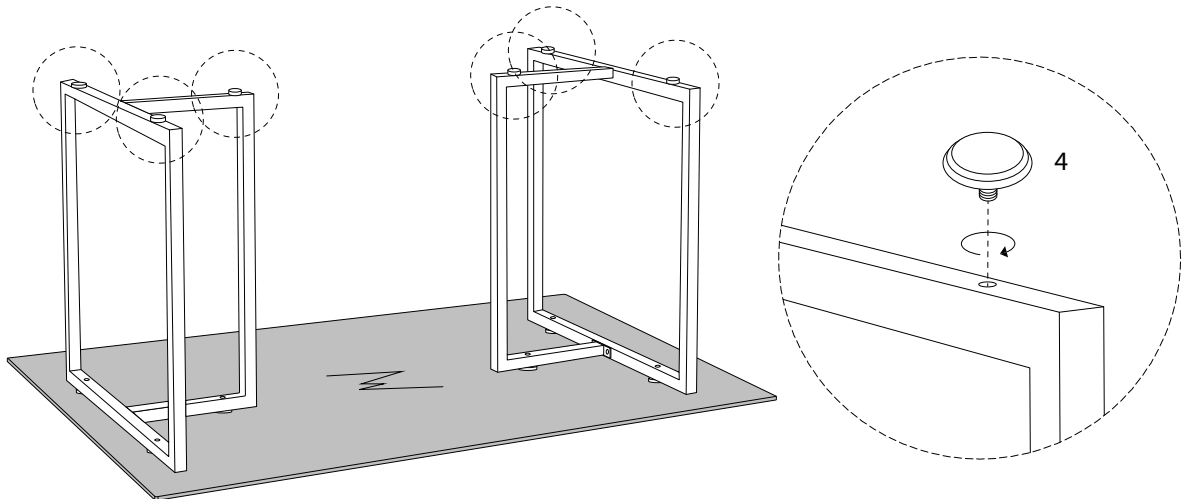
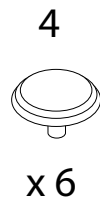
2



3



4



!

