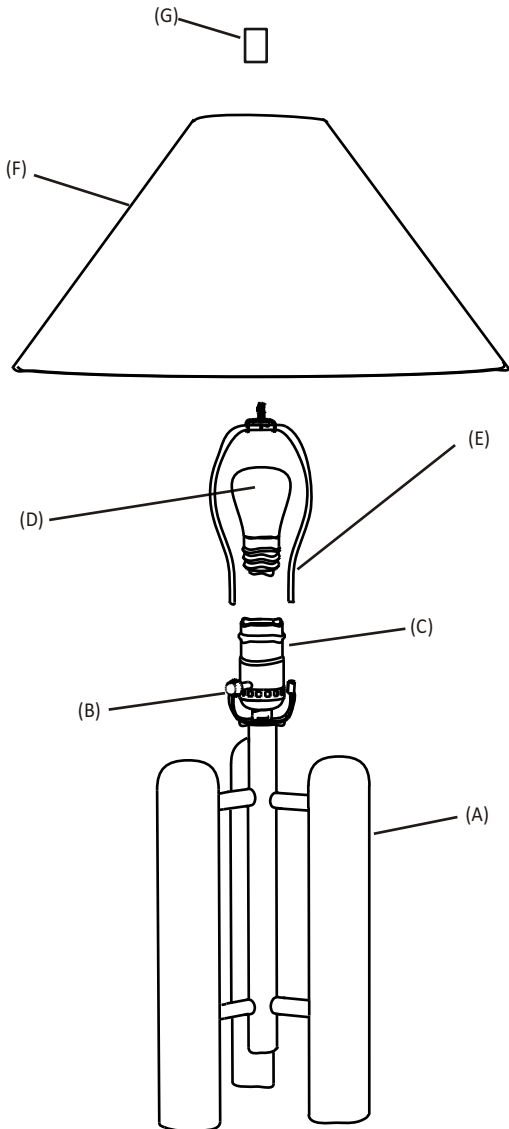


TABLE LAMP

PARTS ENCLOSED:

ITEM	DESCRIPTION	QTY.
(A)	Table Lamp Base	1
(B)	Harp Holder	1
(C)	Socket	1
(D)	Bulb	1
(E)	Harp	1
(F)	Fabric Shade	1
(G)	Finial	1



IMPORTANT SAFETY INSTRUCTIONS:

1. This fixture has been rated for 1 x 60 Watt maximum type A Standard bulb.
2. To avoid the risk of fire, do not exceed the recommended wattage.
3. The manufacturer and distributor accept no liability for incorrect installation.
4. For indoor use only.
5. Keep away from children.

WARNINGS:

1. Turn - o ff/ unplug and allow to cool before replacing bulb (lamp).
2. Do not touch bulb or look directly at lighted lamp.
3. Keep flammable materials away from light bulb.

TO ASSEMBLE:

1. Carefully unpack the table lamp. Do not discard any material till assembly is complete.
2. Install one 9 watt SBLED Bulb (D) or 60 Watt Type A Bulb to the Socket (C).
3. Install the Harp (E) to the Lamp Base (A) into the Harp Holder (B).
4. Install the Fabric Shade (F) to the Harp (E) and tighten with Finial (G).

CARE INSTRUCTIONS:

To clean, use a soft cloth only. Do not use any chemical or abrasive cleaners.