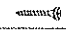

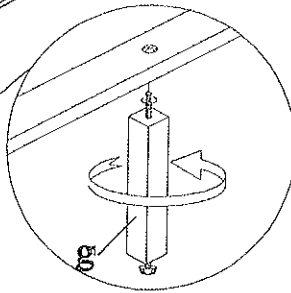
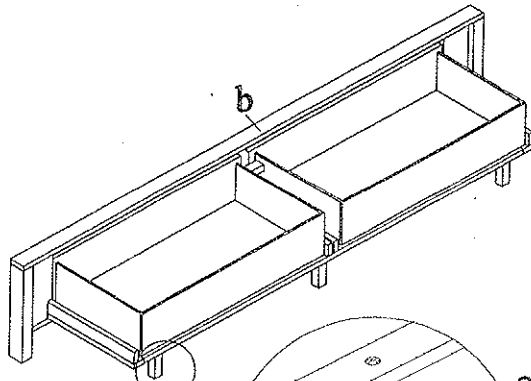


ASSEMBLY INSTRUCTIONS

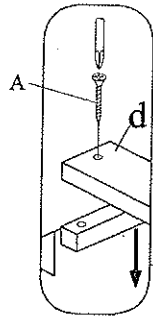
JR EASTERN KING STORAGE BED

Parts List		Q'ty
HEADBOARD	a	1
FOOTBOARD	b	1
SIDE RAIL	c	2
CENTER SUPPORT OF SLAT	d	1
SUPPORT LEG	e	3
SLAT	f	12
FOOTBOARD SUPPORT LEG	g	3

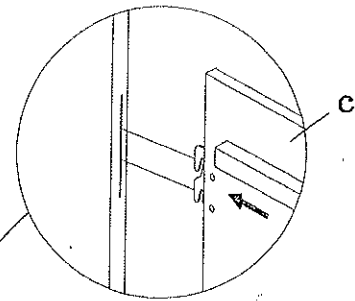
NO.	Sketch	Hardware list/hardware list	Q'ty
A		#4*32 Screws/Vis	26pcs
		NOT PROVIDED	



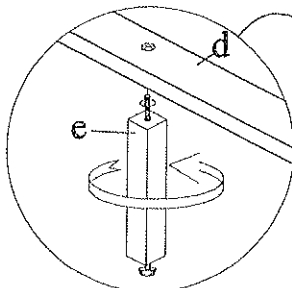
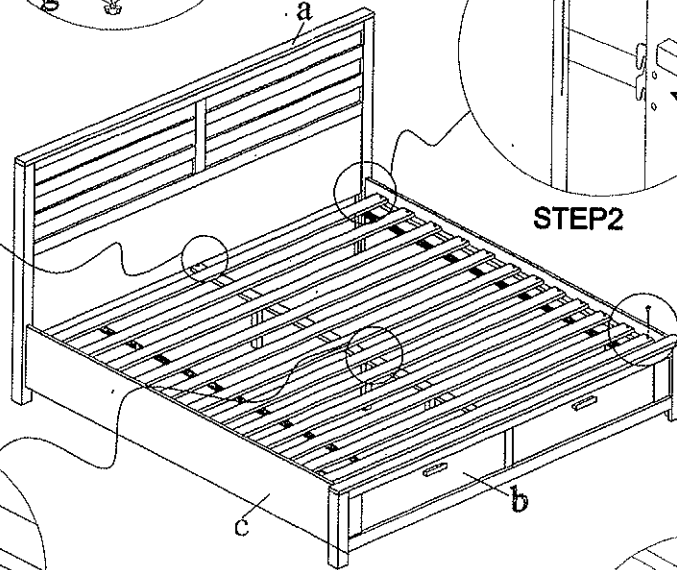
STEP 1



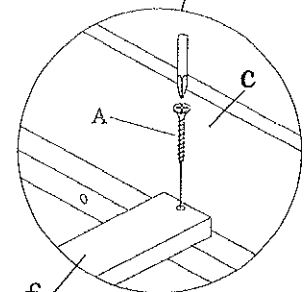
STEP 4



STEP 2



Leveling
STEP 3



STEP 5