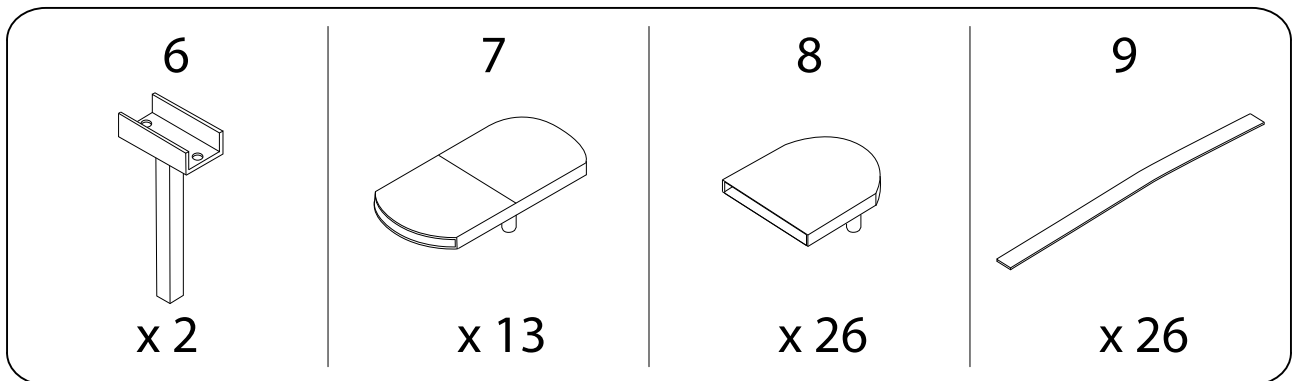
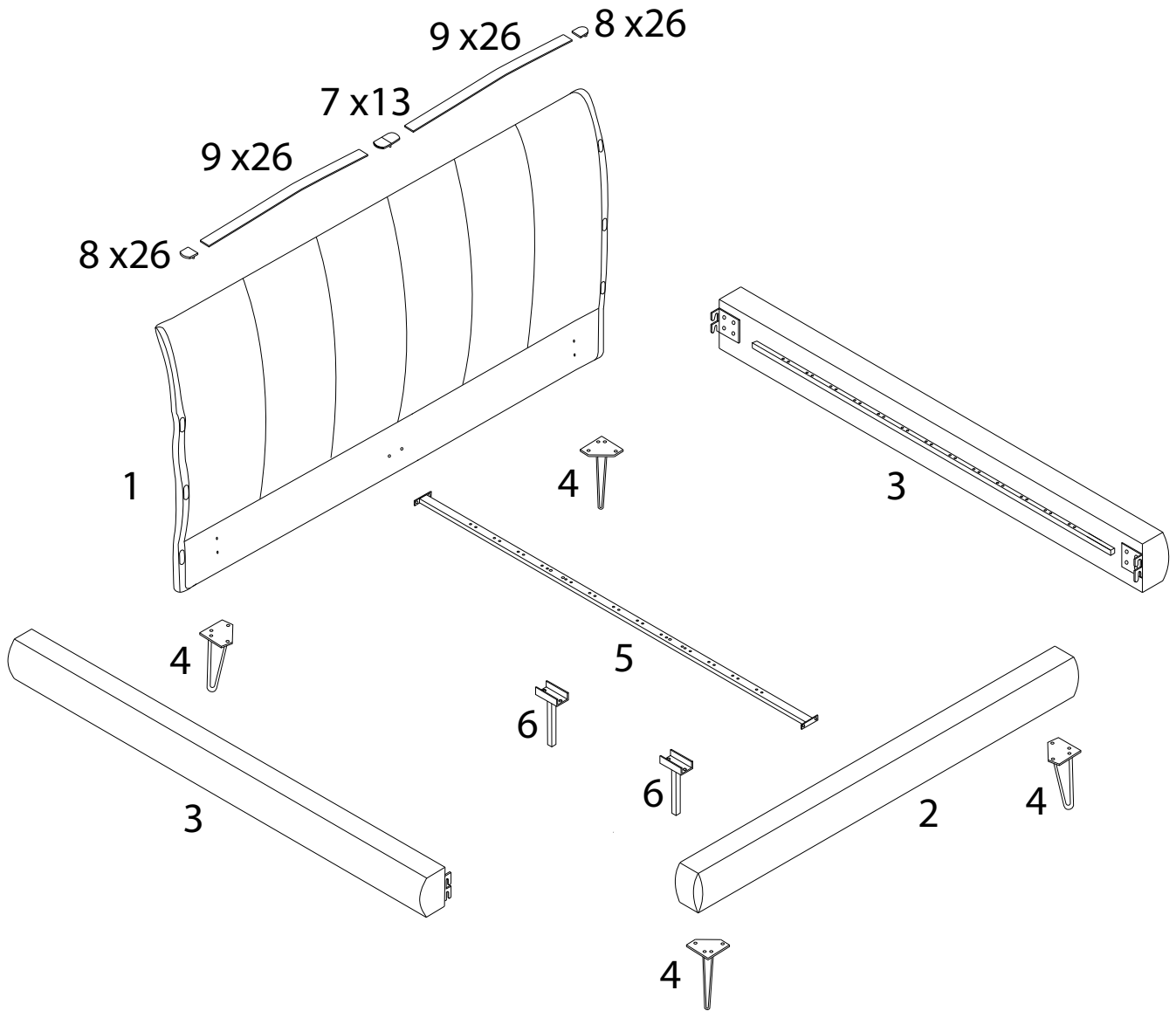
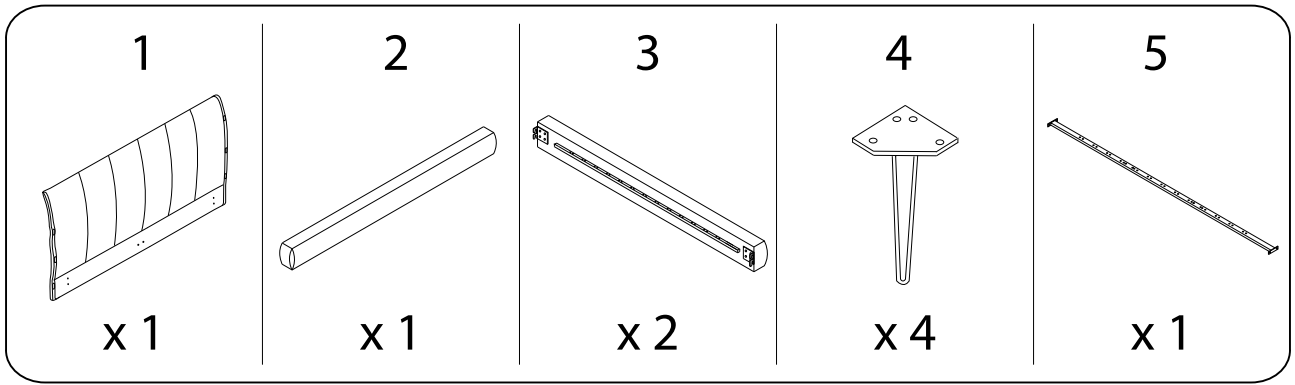
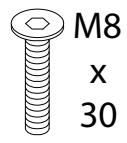

		2

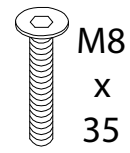


A



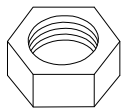
x 28

B



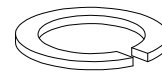
x 4

C



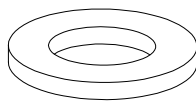
x 4

D



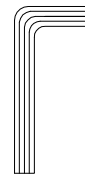
x 8

E



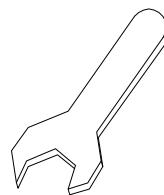
x 28

F



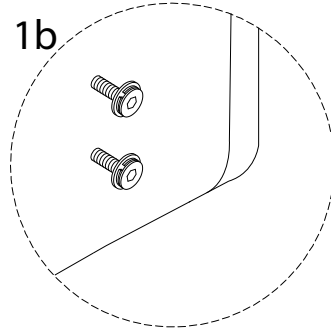
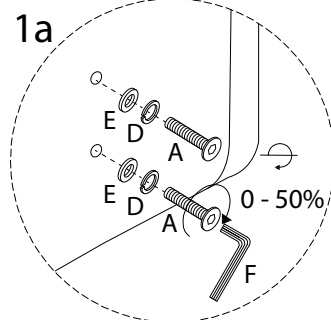
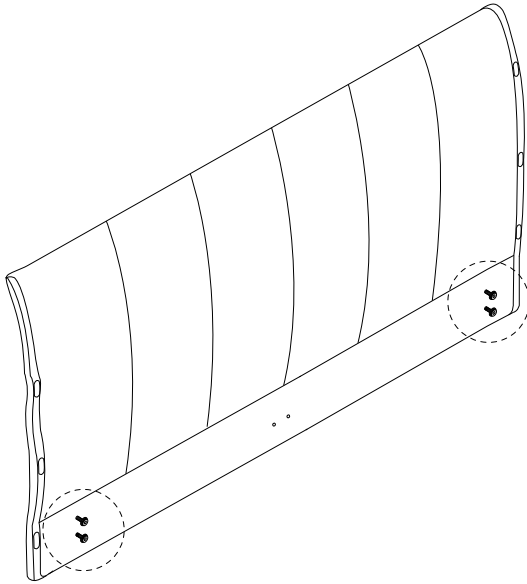
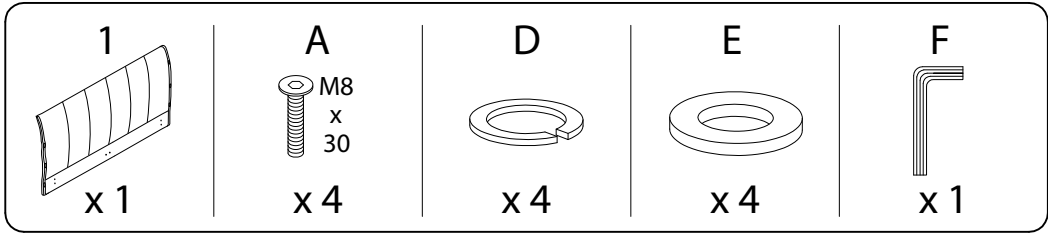
x 1

G

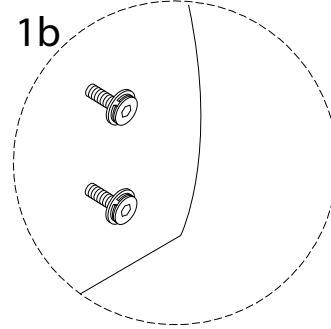
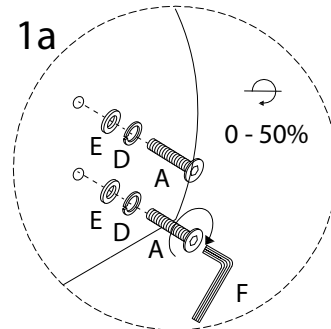
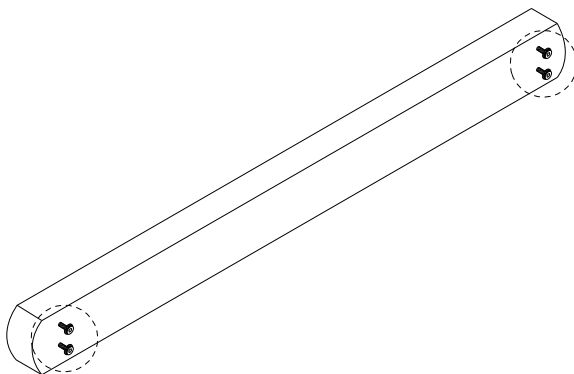
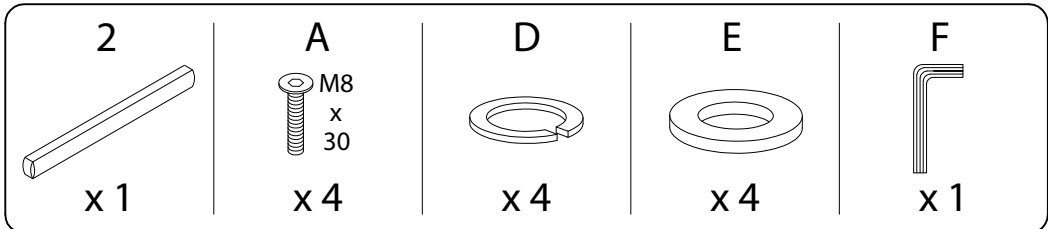


x 1

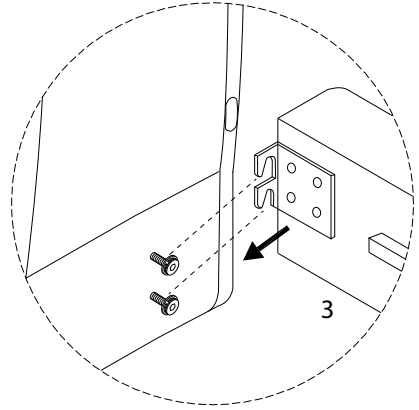
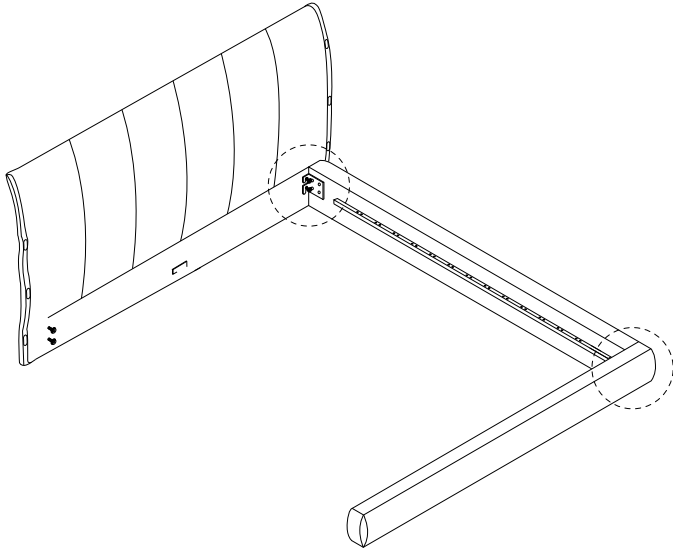
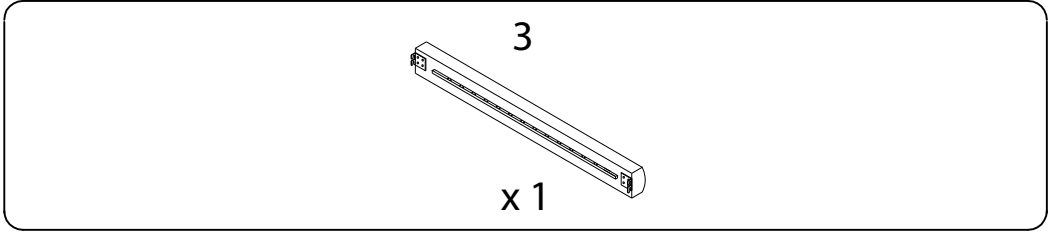
1



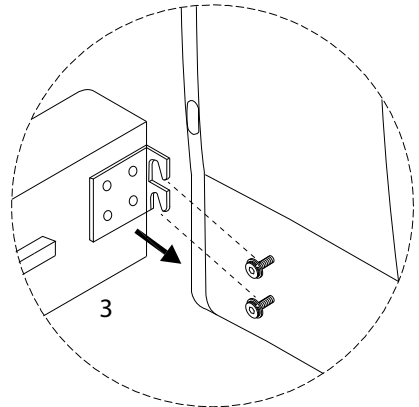
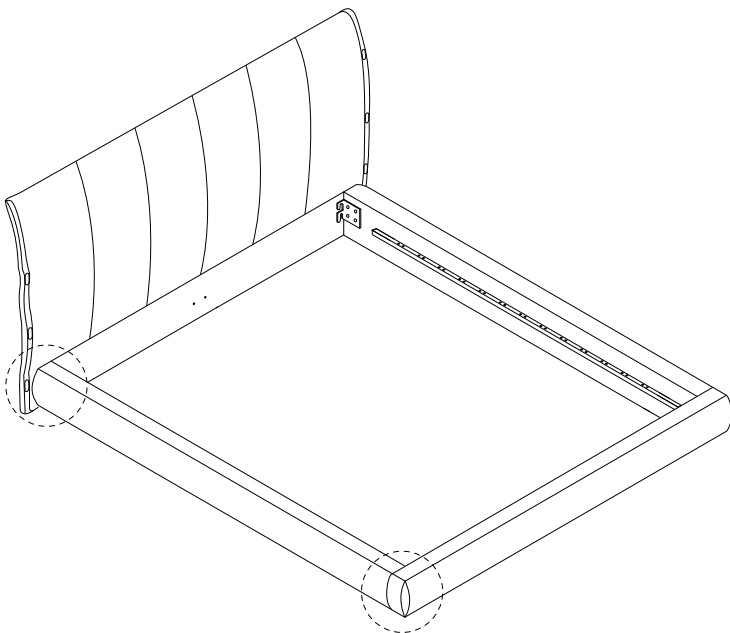
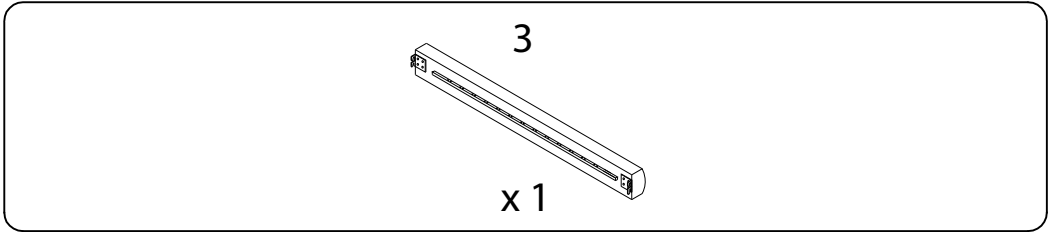
2



3



4



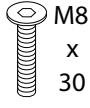
5

4



x 4

A



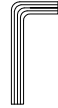
x 16

E

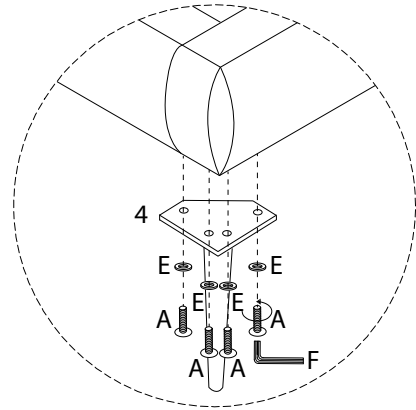
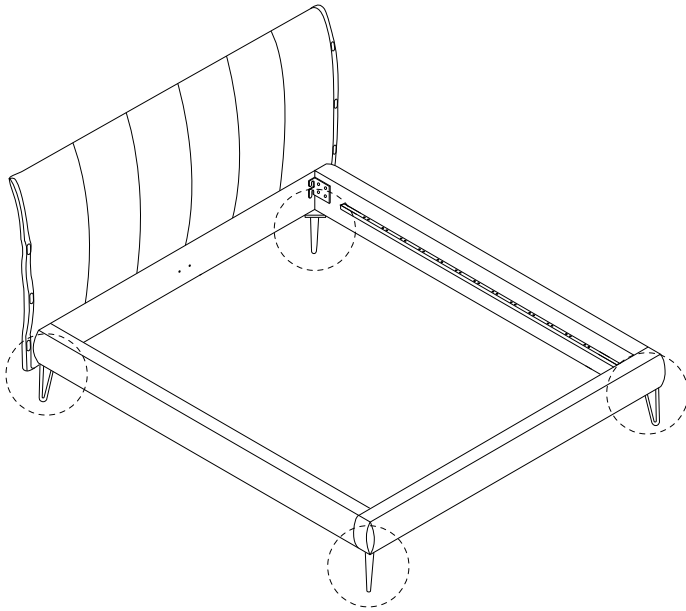


x 16

F



x 1



6

5



x 1

6



x 2

B



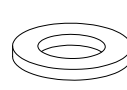
x 4

C



x 4

E



x 4

F

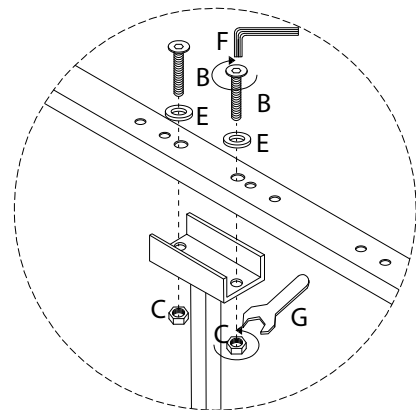
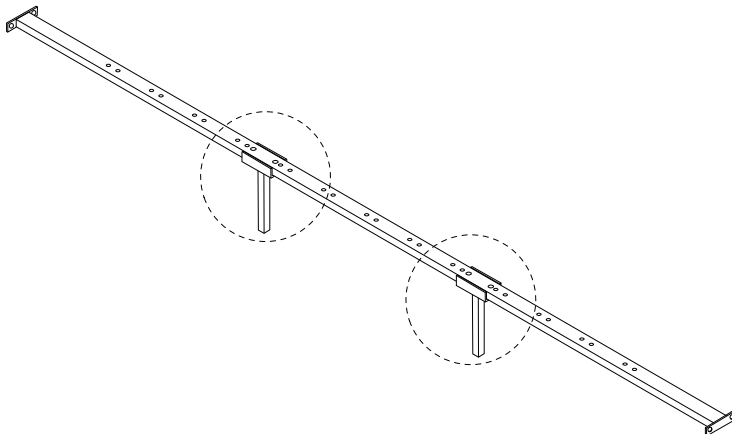


x 1

G



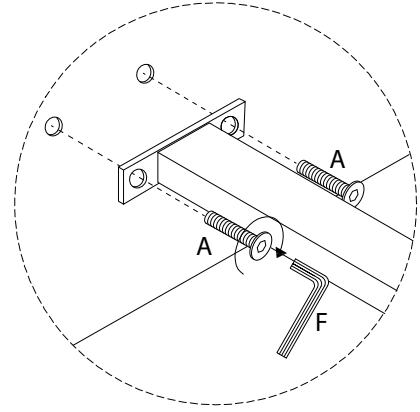
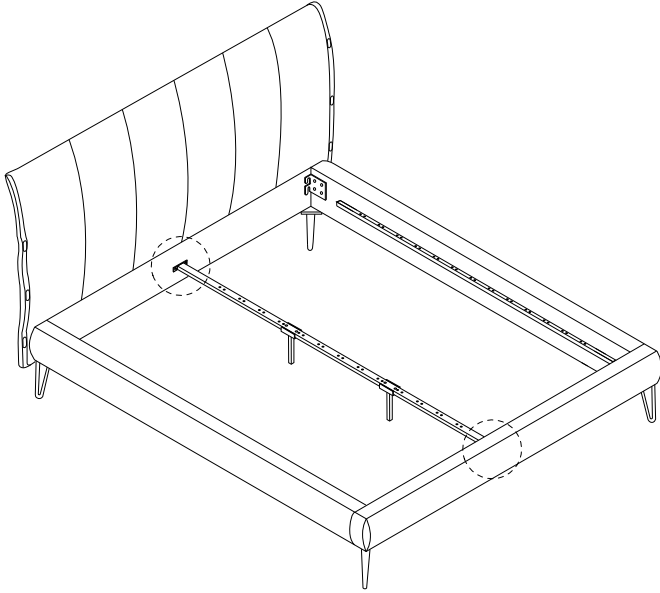
x 1



7

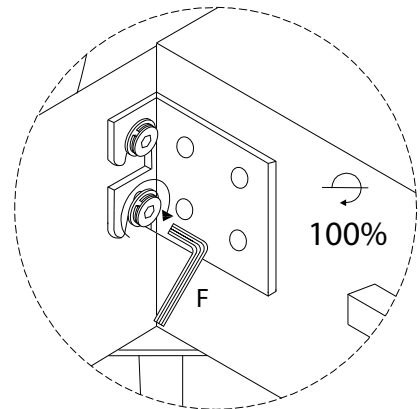
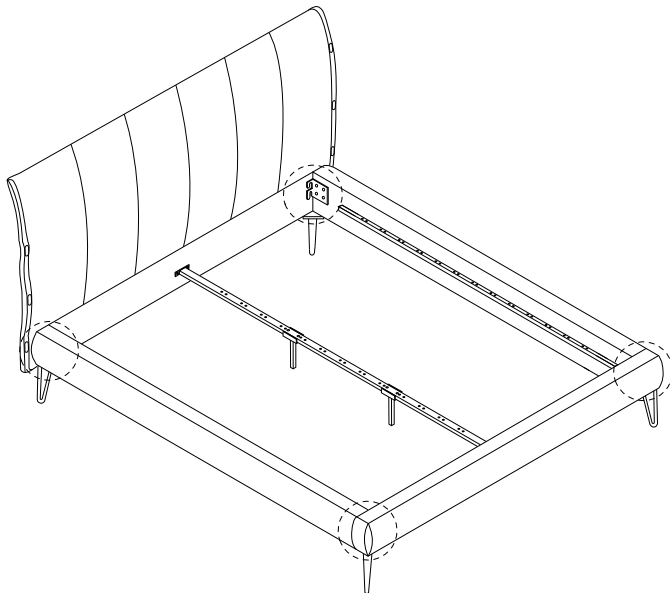
A
M8
x
30
x 4

F
x 1

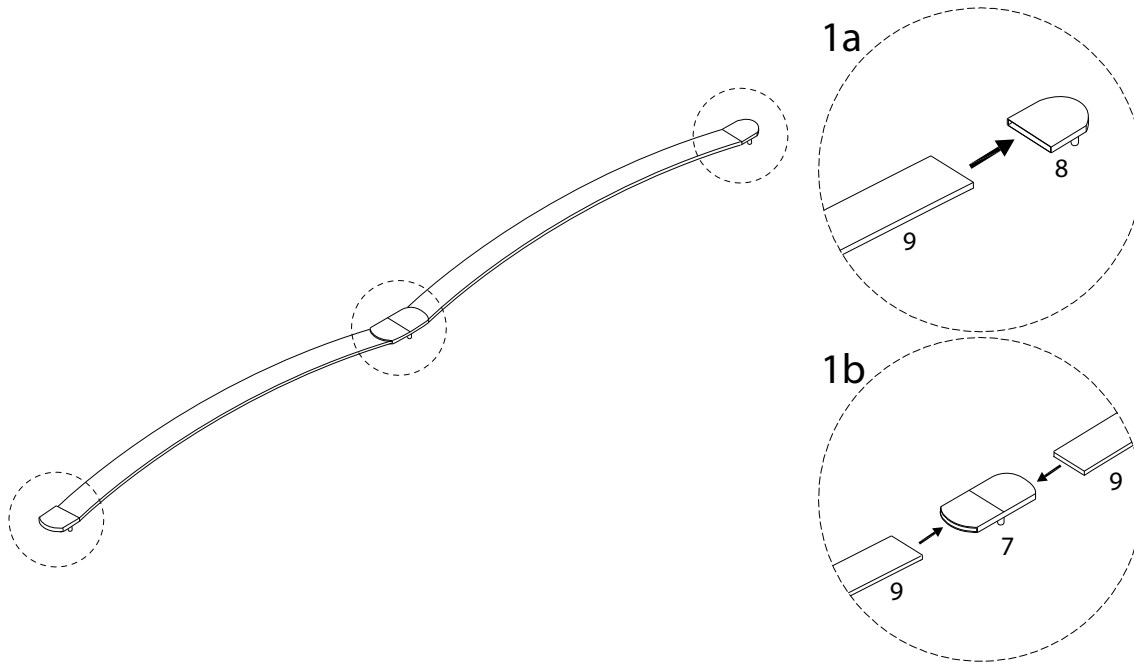
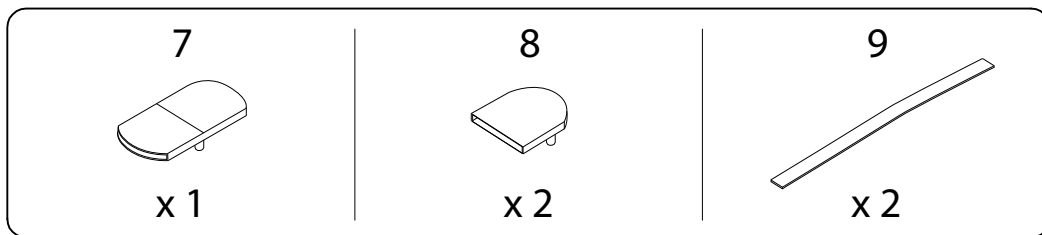


8

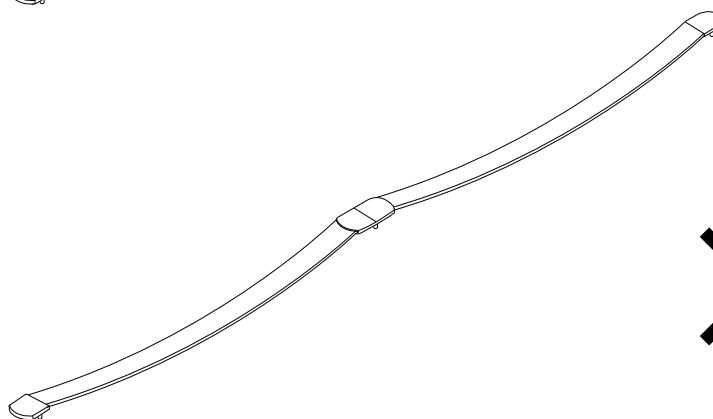
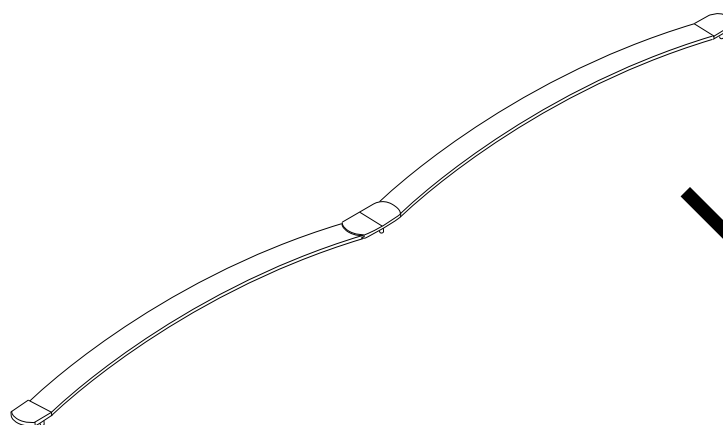
F
x 1



9 x13



!



10

