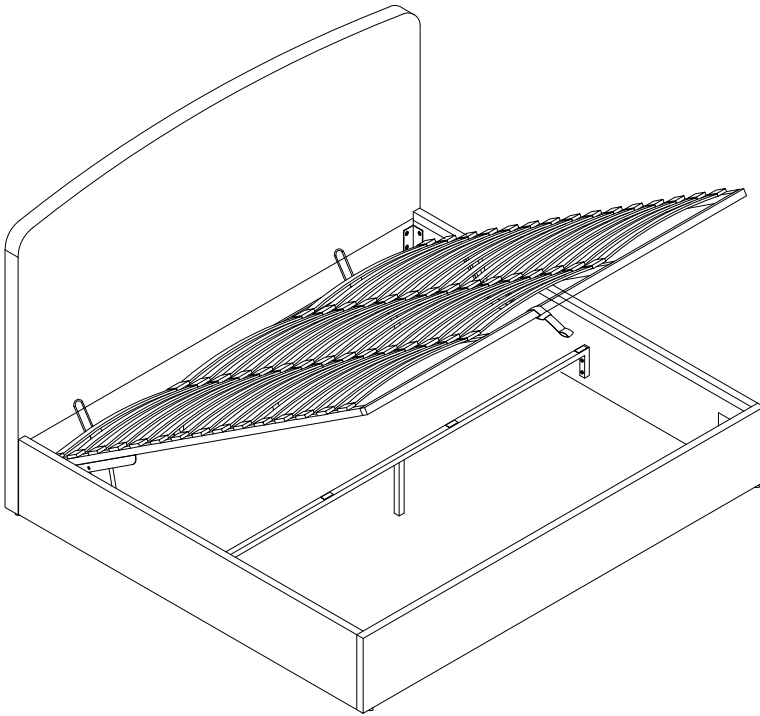


ASSEMBLY INSTRUCTION

ITEM NUMBER: BH018

SIZE: King

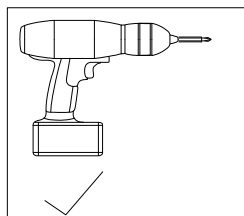


IMPORTANT NOTE

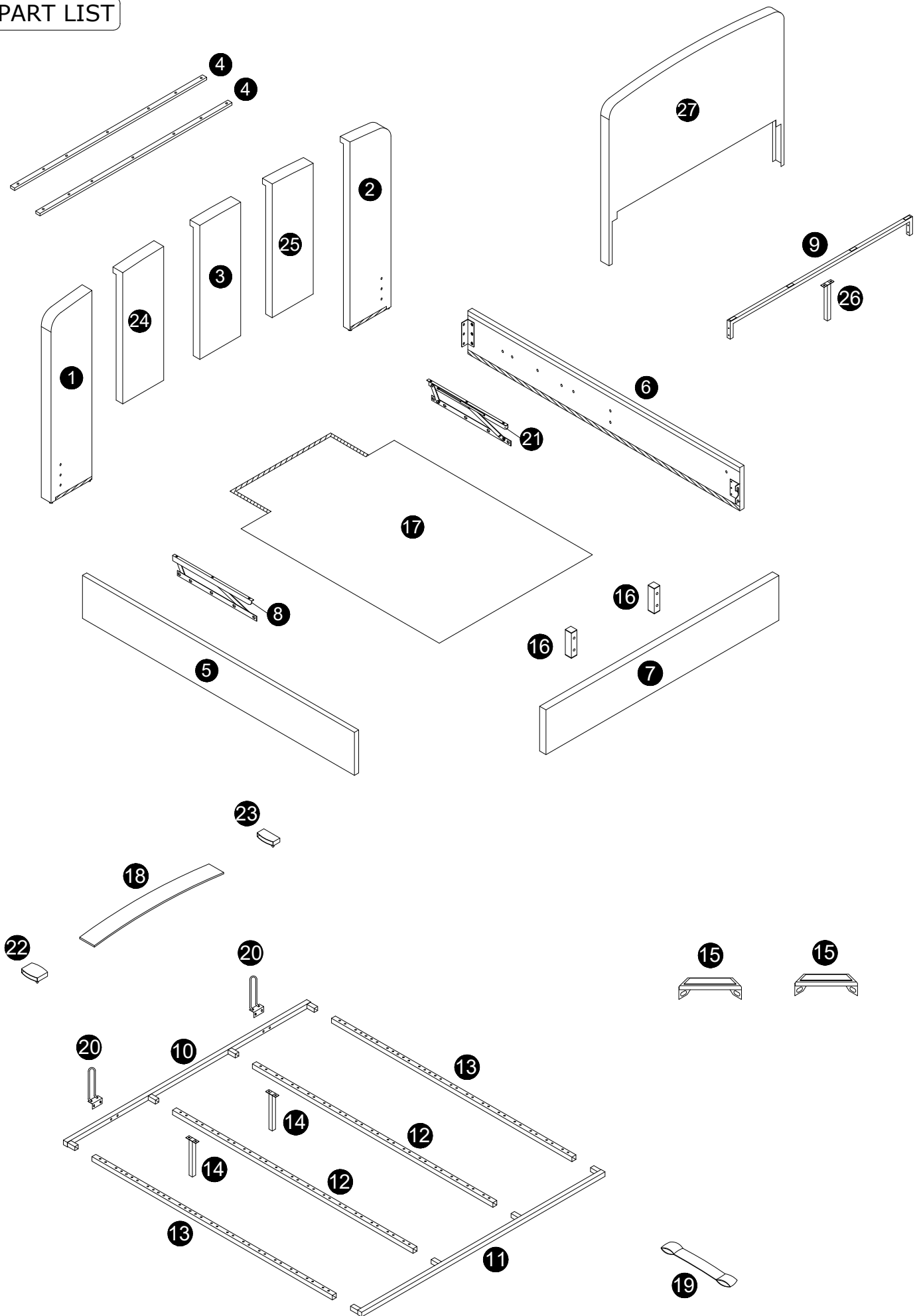
1. For the protection of your furniture, place all parts on a clean and smooth surface to prevent any damage.
2. Keep fittings out of children's reach and keep children well away from construction area.
3. When moving your assembled bed, it is best to lift the bed and never to drag it.
4. Do not use this product if parts are missing, damaged or worn.
5. This product should only be used on firm, level ground.
6. Please periodically check all fittings and re-tighten as necessary.
7. Do not use the bed unless all bolts and screws are firmly secured.
8. For further assistance, please provide a screenshot of your order and contact us via email at support@velocavabed.com



Minimum two
person assembly



PART LIST



Components of Carton A

1 x 1pc 	2 x 1pc 	3 x 1pc 	8 x 1pc
14 x 2pcs (25x230mm) 	15 x 2pcs 	16 x 2pcs 	17 x 1pc
18 x 45pcs 	19 x 1pc 	20 x 2pcs 	21 x 1pc
22 x 30pcs 	23 x 30pcs 	24 x 1pc 	25 x 1pc
26 x 1pc (25x205mm) 	27 x 1pc 		


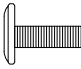



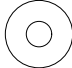

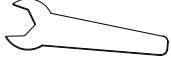
Components of Carton B

4 x 2pcs 	5 x 1pc 	6 x 1pc 	7 x 1pc
9 x 1pc 	10 x 1pc 	11 x 1pc 	12 x 2pcs
			13 x 2pcs

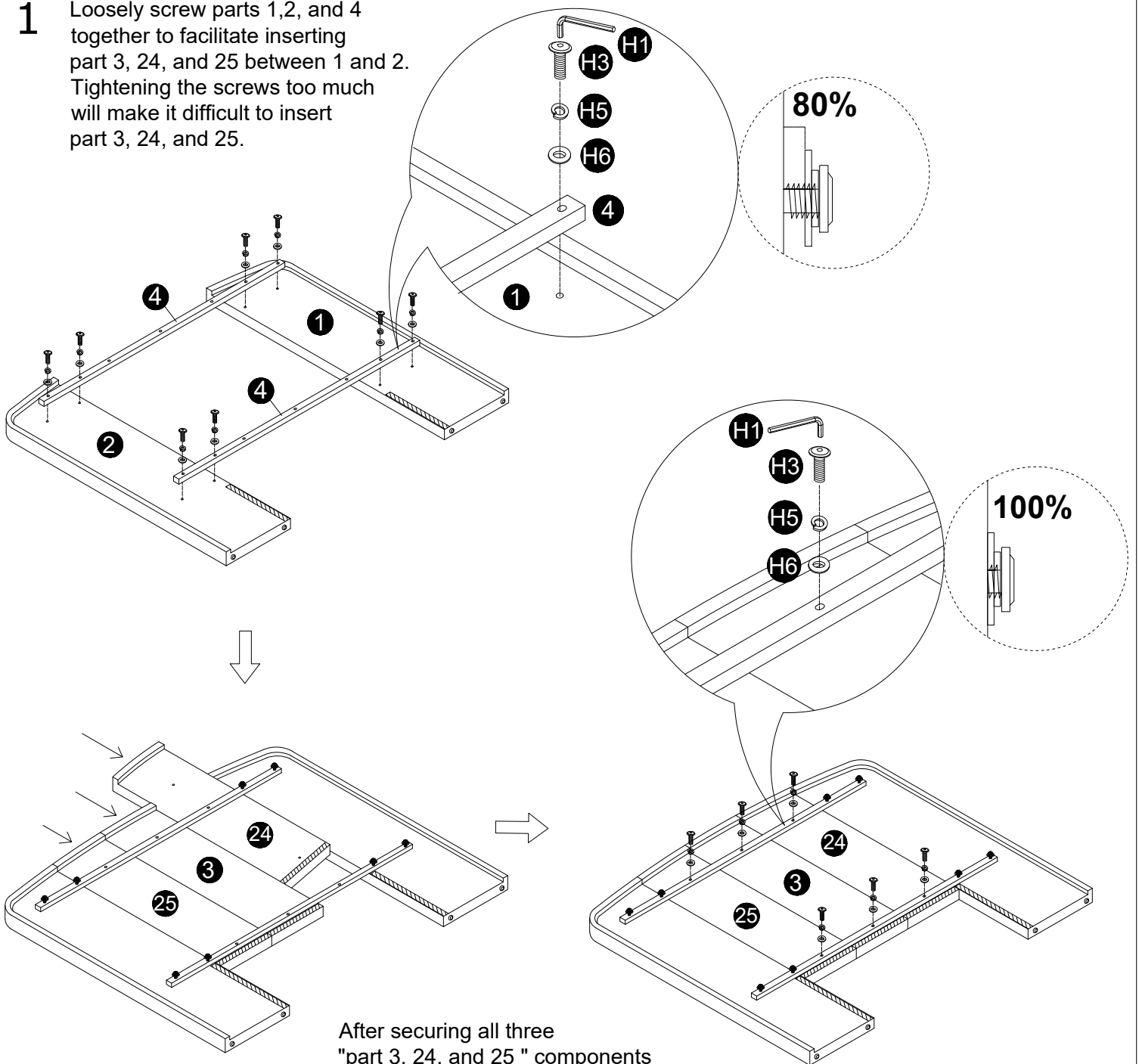
Please ensure to thoroughly inspect the small inner cardboard box containing the hardware, which are tied with a red string, before disposing of the box.

HARDWARE LIST

Components of Carton A

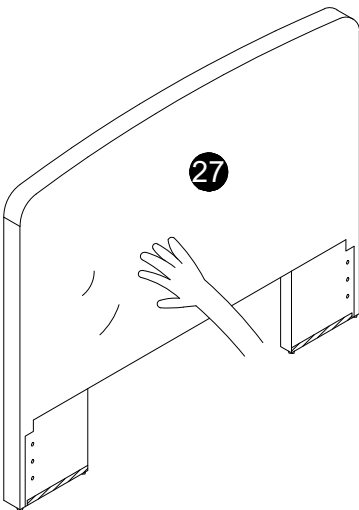
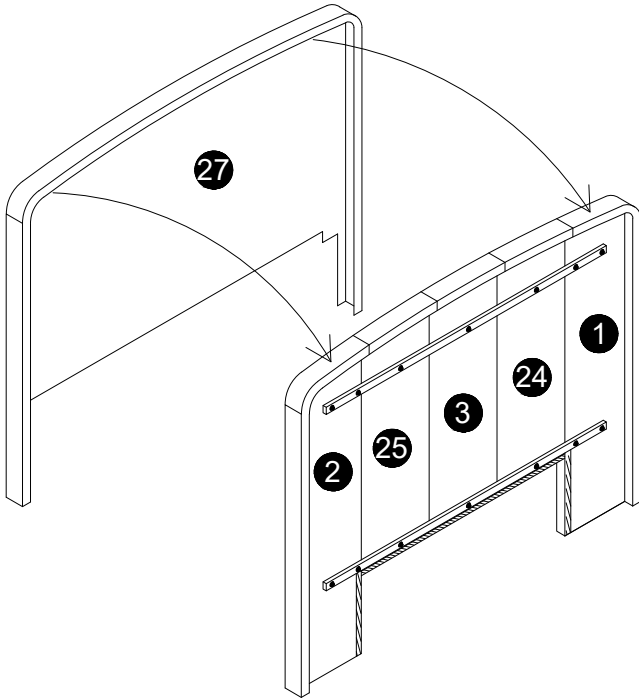
 H1 M5 x 1pc	 H2 M8x25mm x 50pcs	 H3 M8x50mm x 24pcs	 H4 M8x60mm x 4pcs
 H5 M8 x 20pcs	 H6 M8x22mm x 20pcs	 H7 M8 x 6pcs	 H8 M14 x 1pc

1 Loosely screw parts 1,2, and 4 together to facilitate inserting part 3, 24, and 25 between 1 and 2. Tightening the screws too much will make it difficult to insert part 3, 24, and 25.

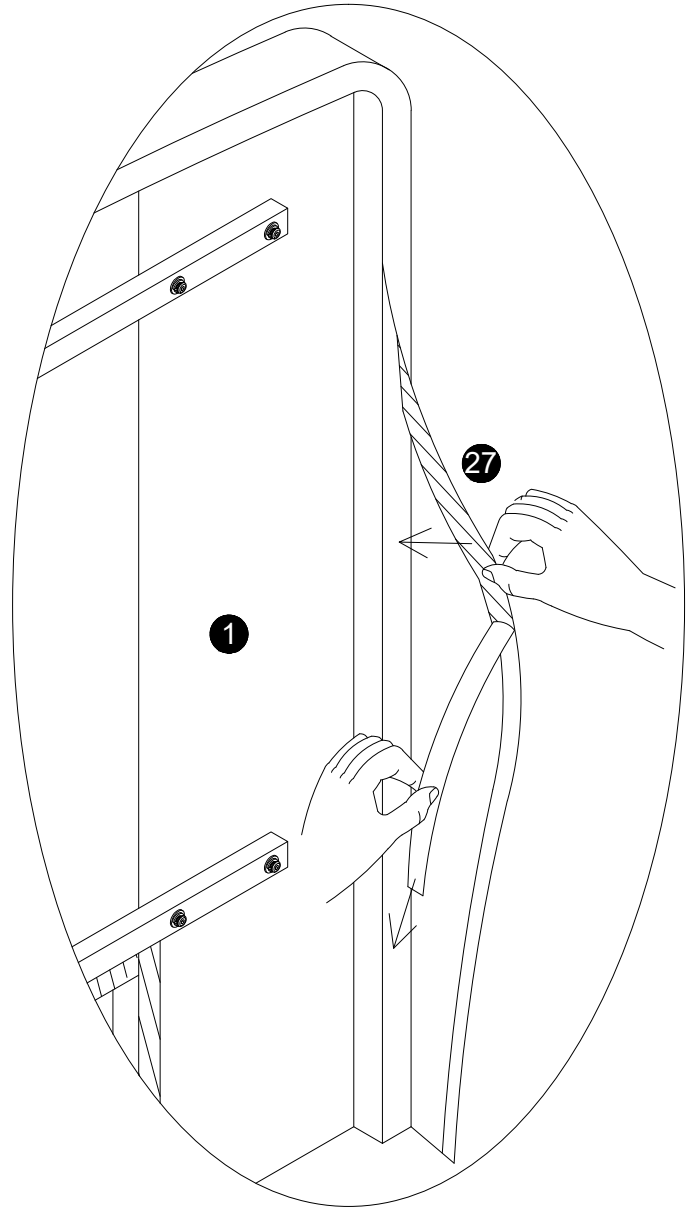


After securing all three "part 3, 24, and 25" components onto "part 4", proceed to tighten parts 1 and 2.

2 Slide the fabric cover (Part 27) over the headboard until it reaches the bottom, ensuring a full and secure fit.

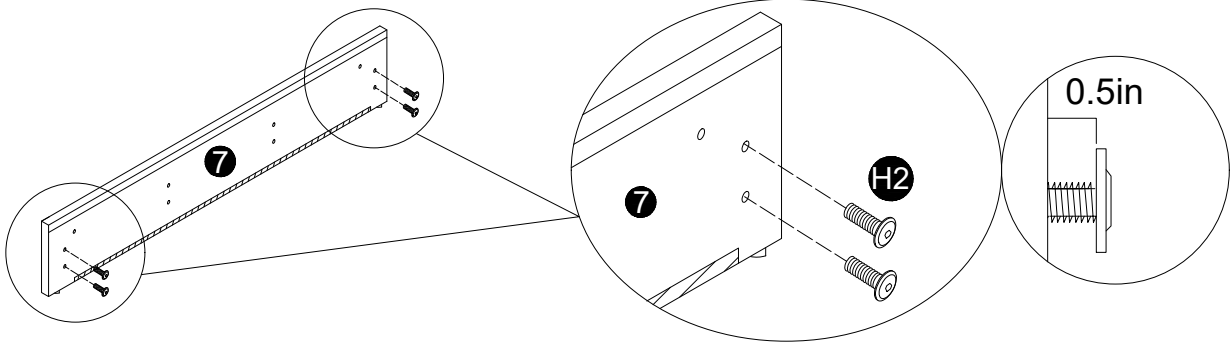


Smooth out any uneven areas or wrinkles by hand for a neat appearance.



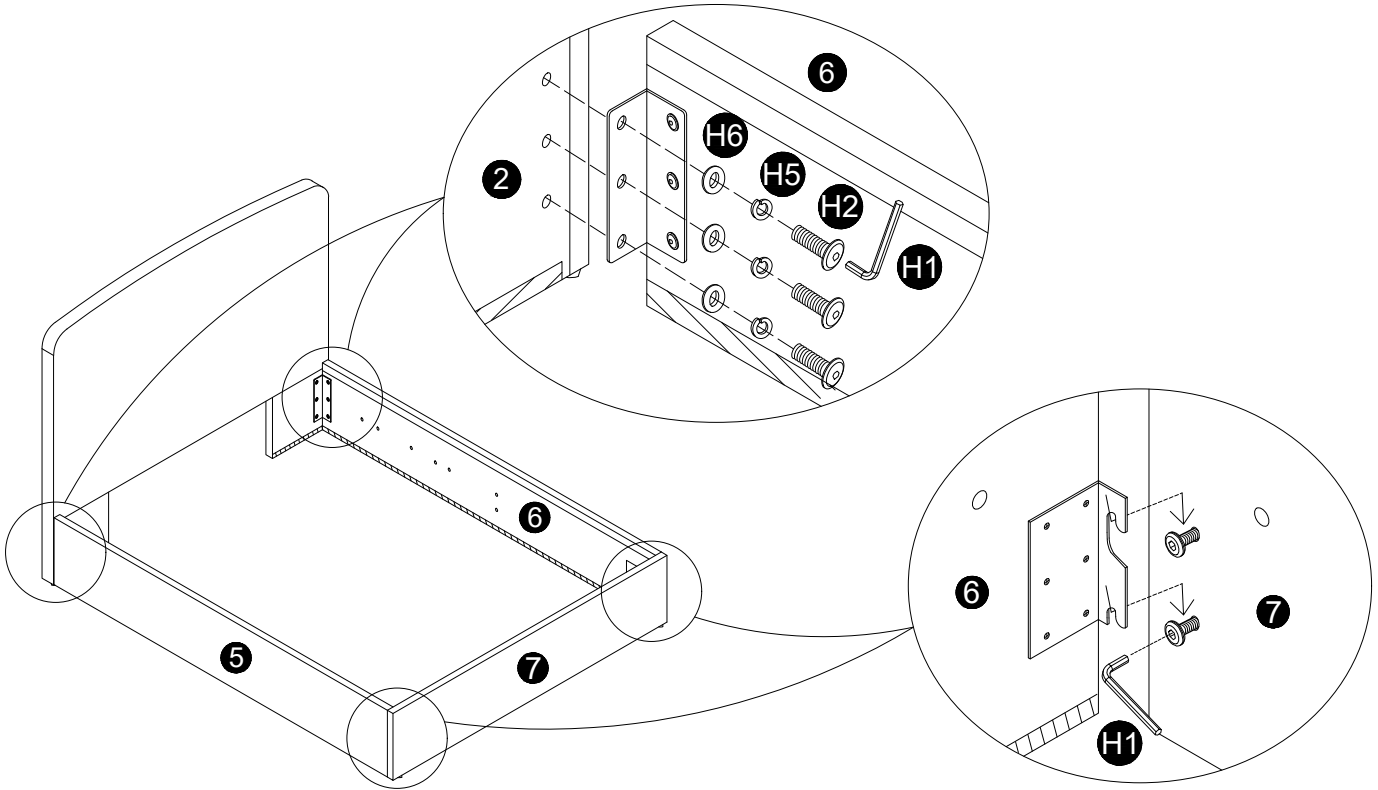
At the back of the Part 27, peel away the fabric strip covering the Velcro while pressing the Velcro firmly onto the headboard.

3

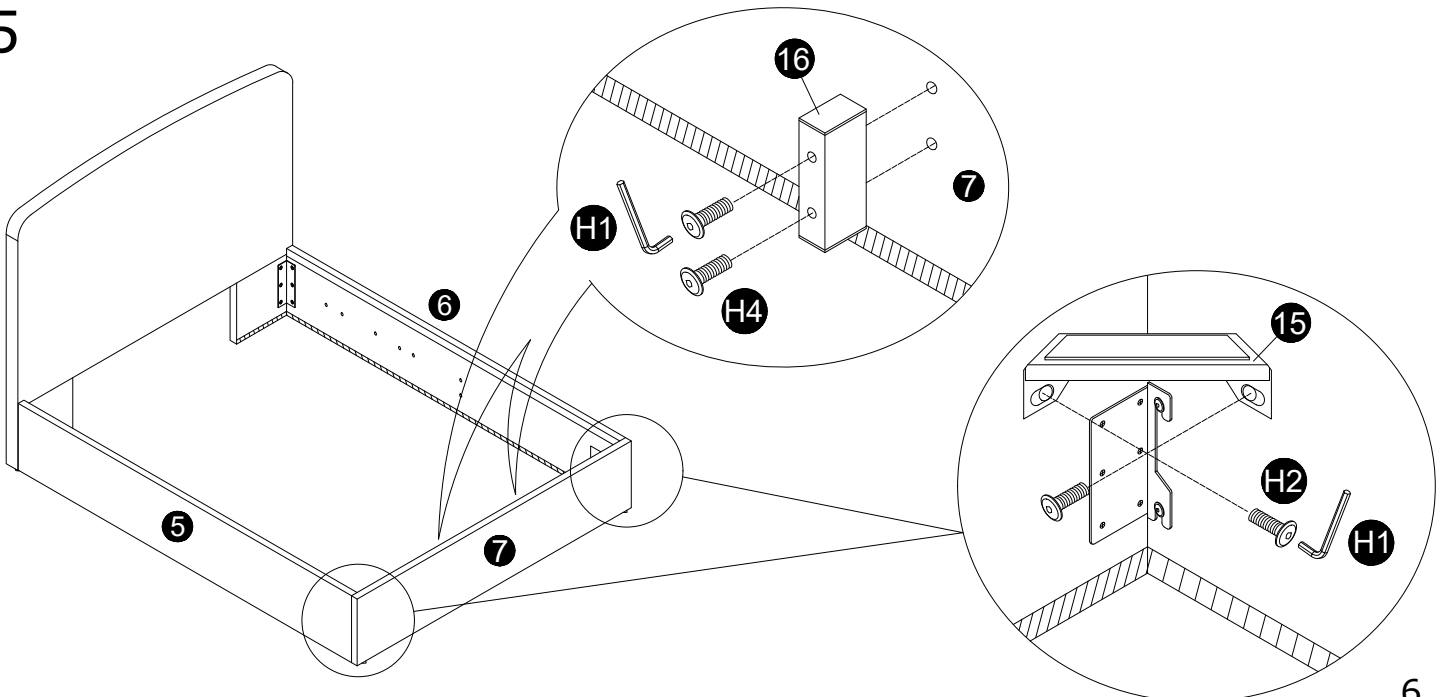


4

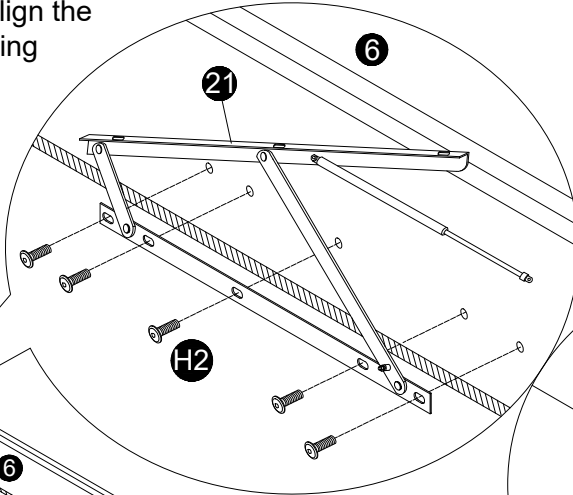
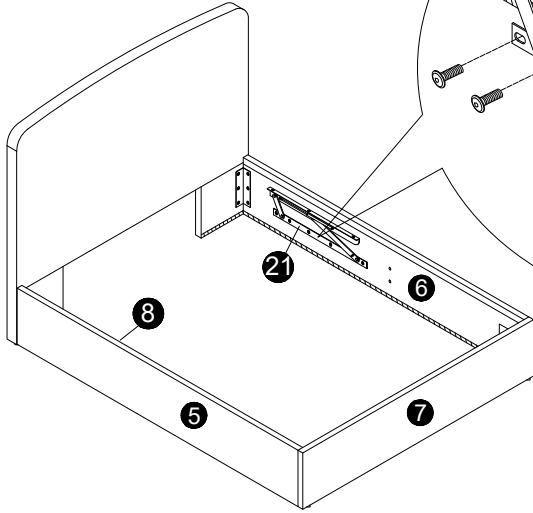
As shown in the diagram, align the screws with the corresponding holes and pre-fix them. Then, tighten each screw separately.



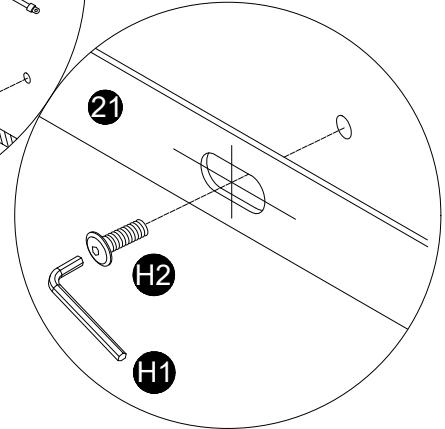
5



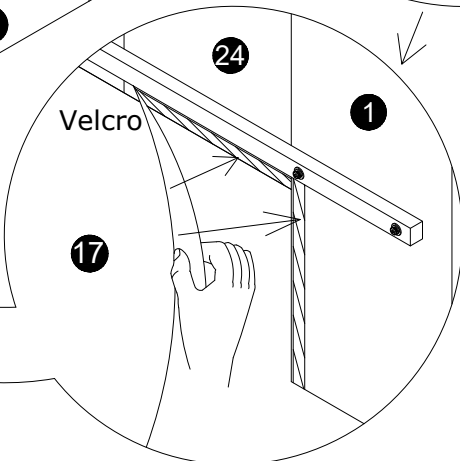
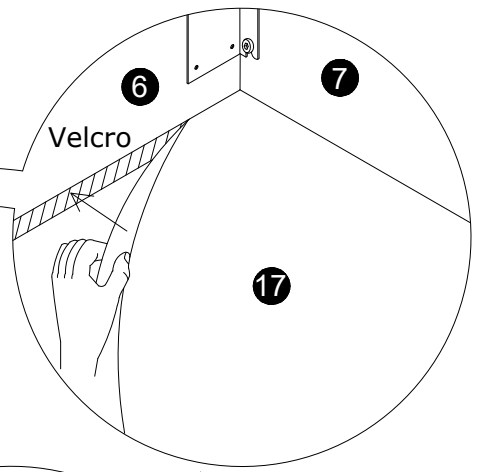
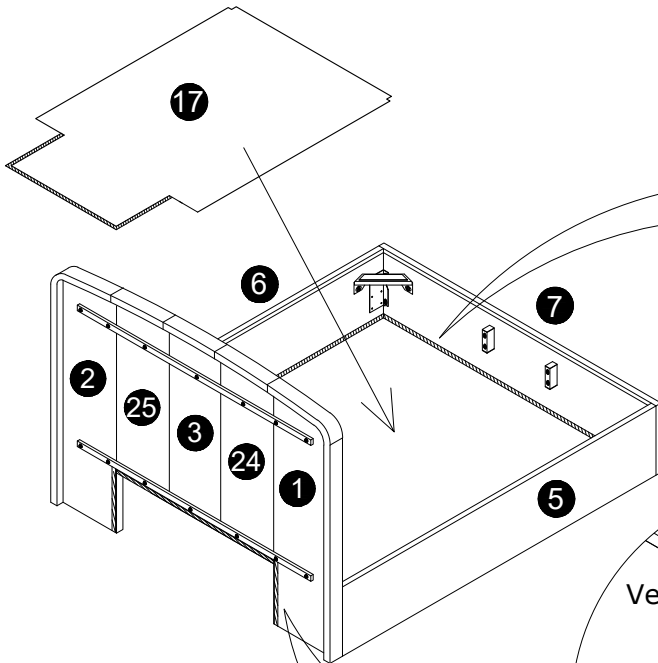
6 As shown in the diagram, align the screws with the corresponding holes and pre-fix them. Then, tighten each screw separately.



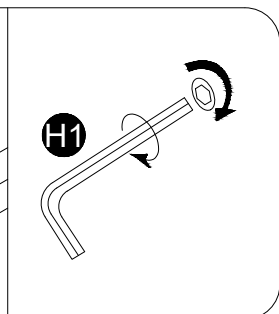
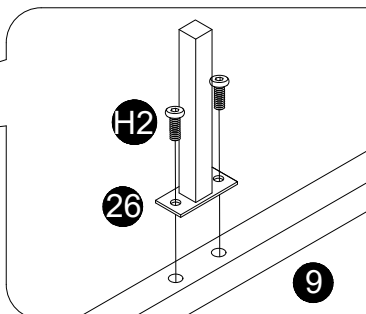
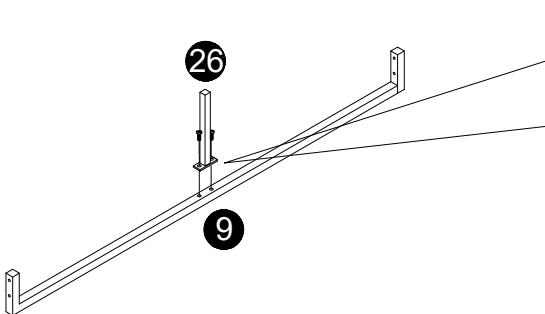
Bolts should be in centre of long holes.



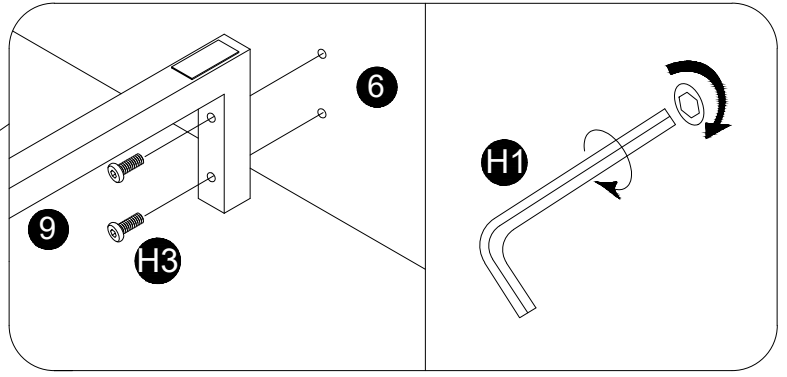
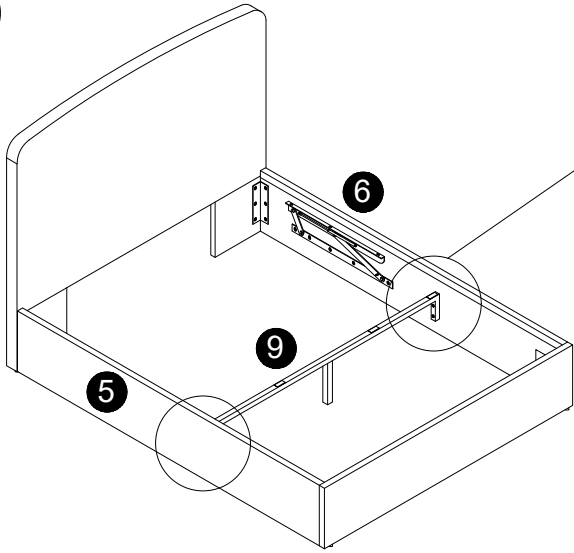
7



8

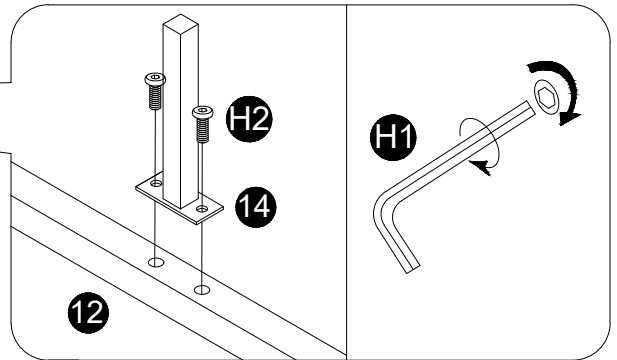
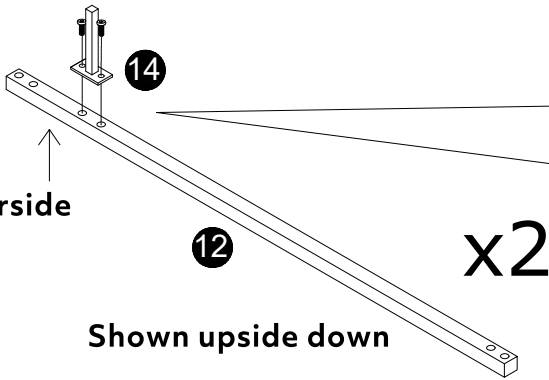


9

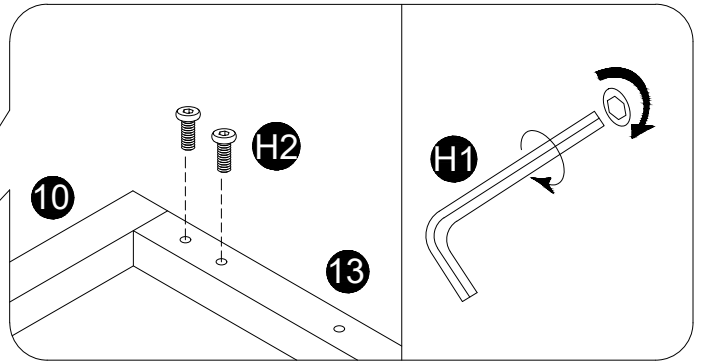
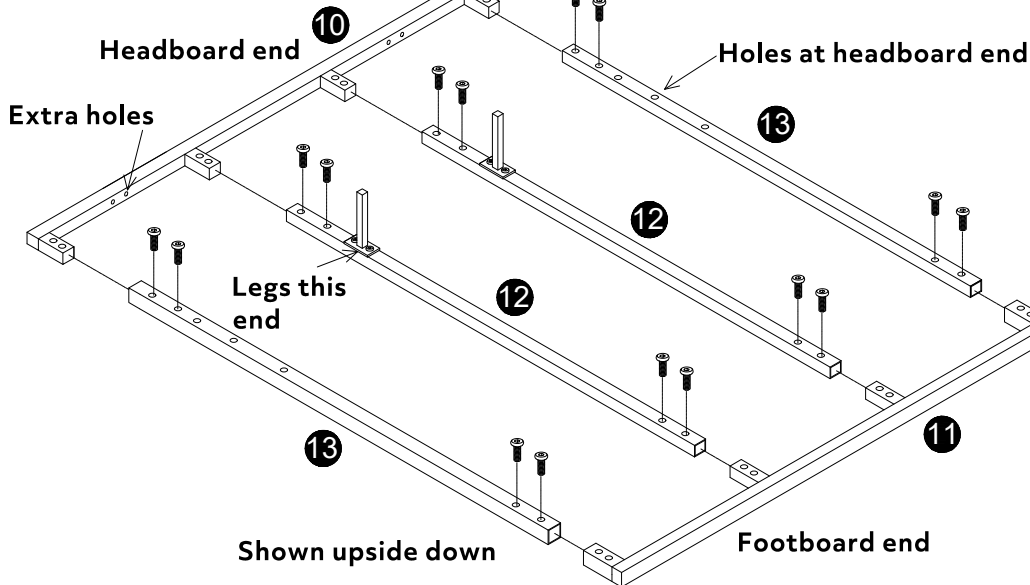


10

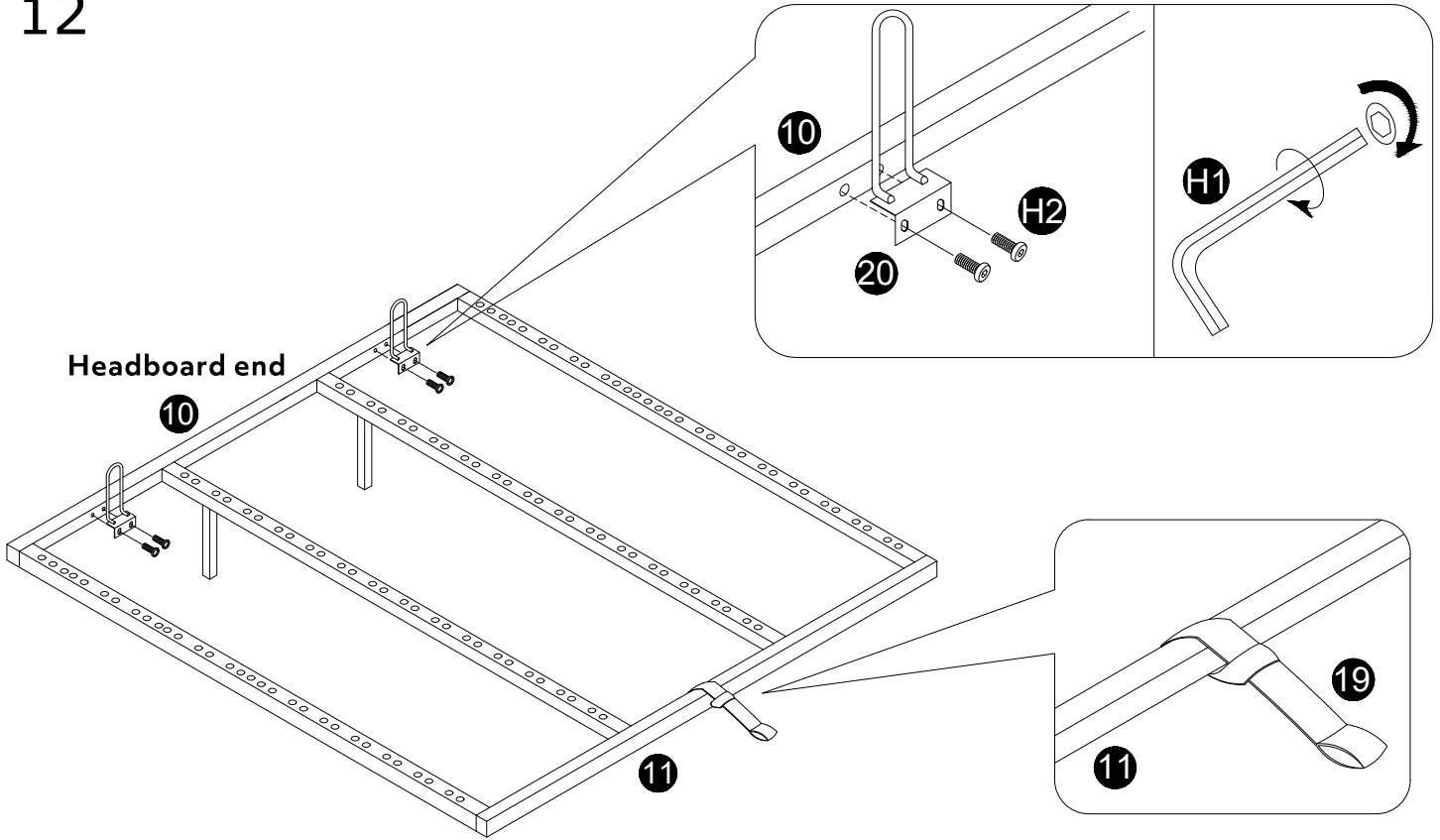
Holes on underside



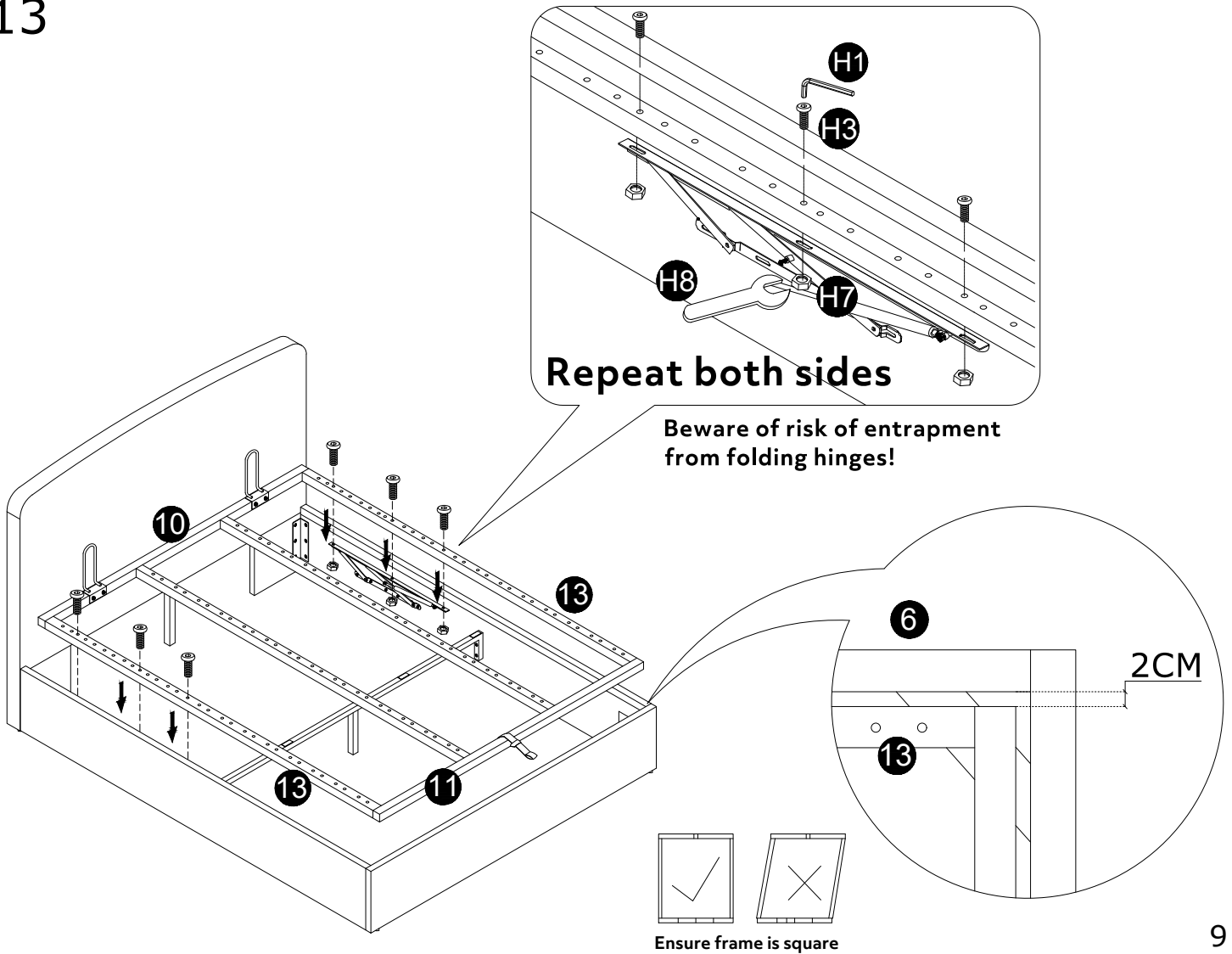
11



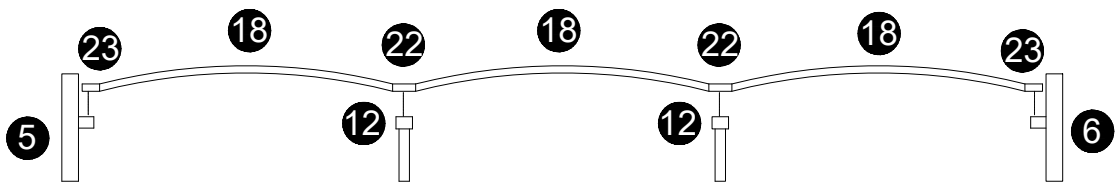
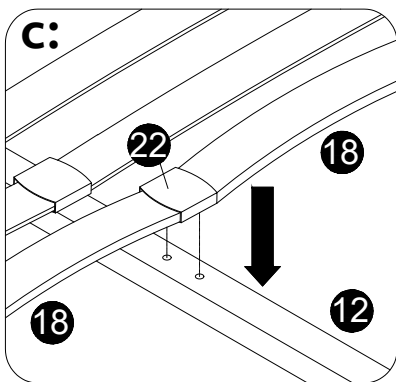
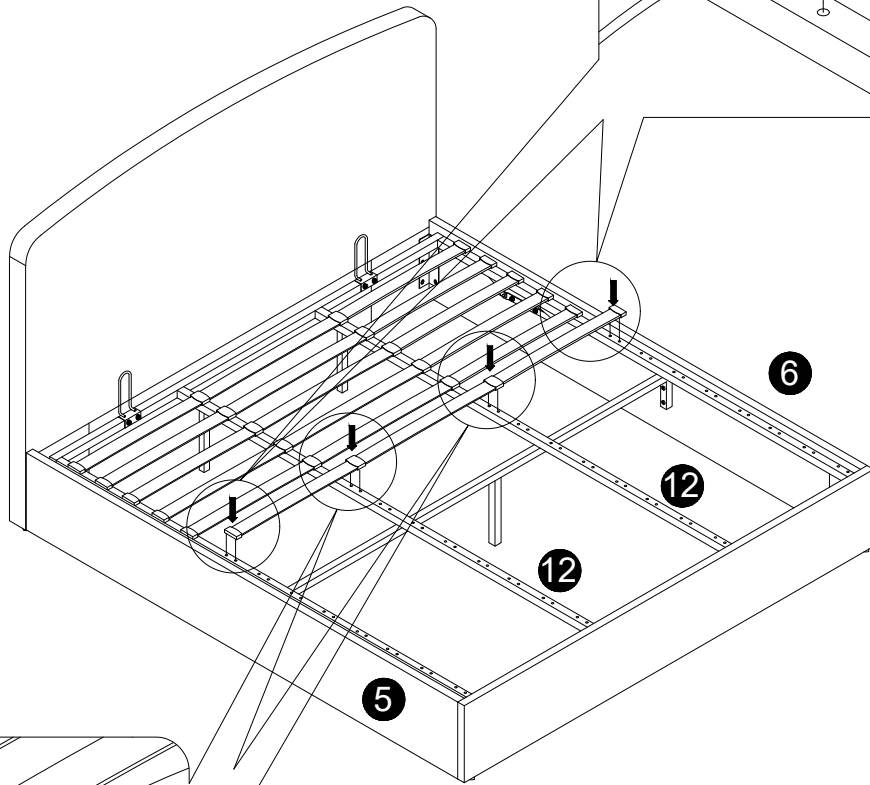
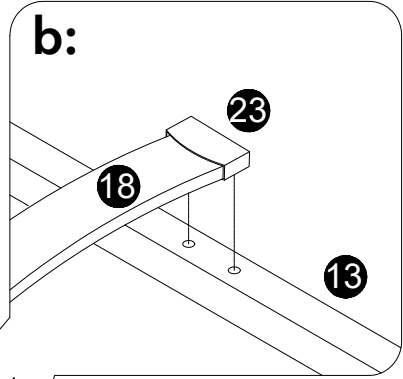
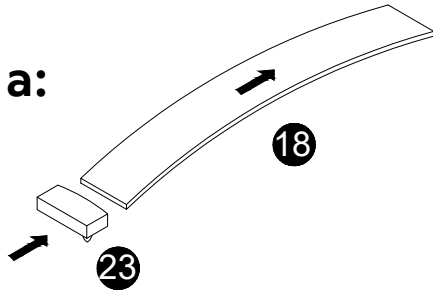
12



13



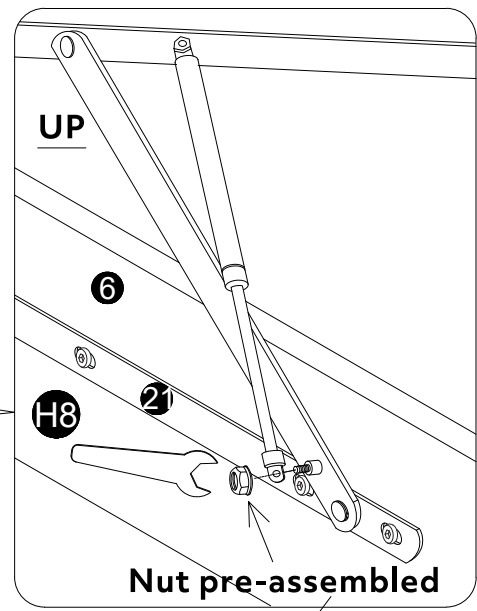
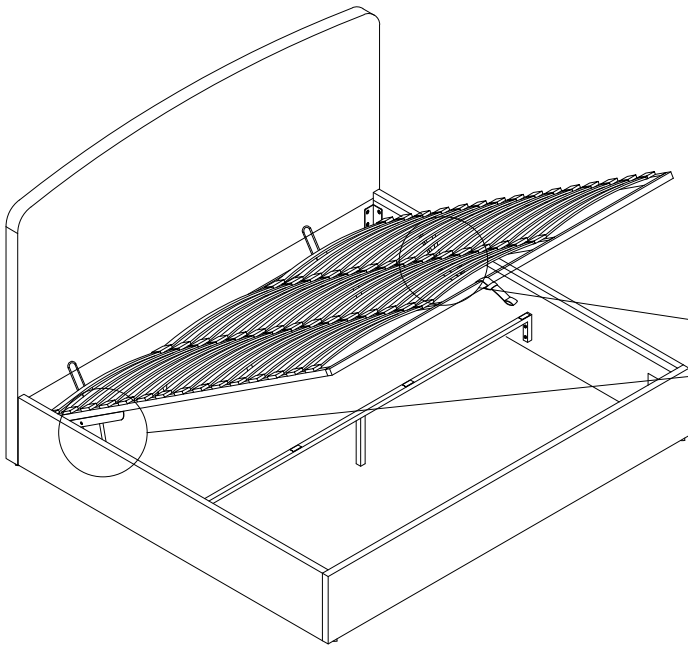
14



Slats to arch upwards

15

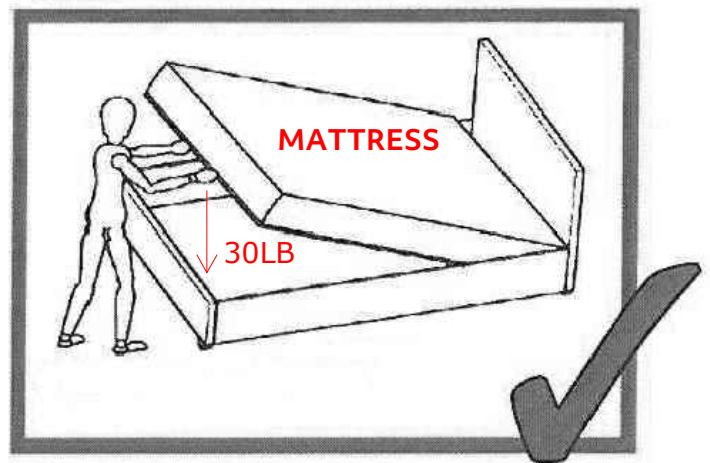
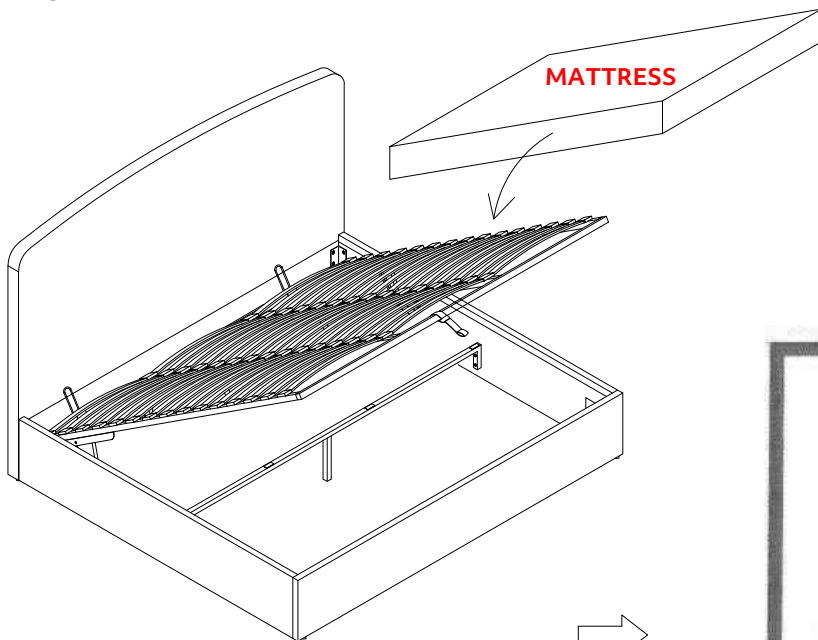
**Warning: Two people required.
Frame to be fully supported at all times!**



Repeat both sides

Important: Before proceeding, check and ensure all screws and fixings are fully tightened.

16



 **Place the mattress on frame & Carefully lower the frame down.
Keep objects/body part & children away from moving parts.**