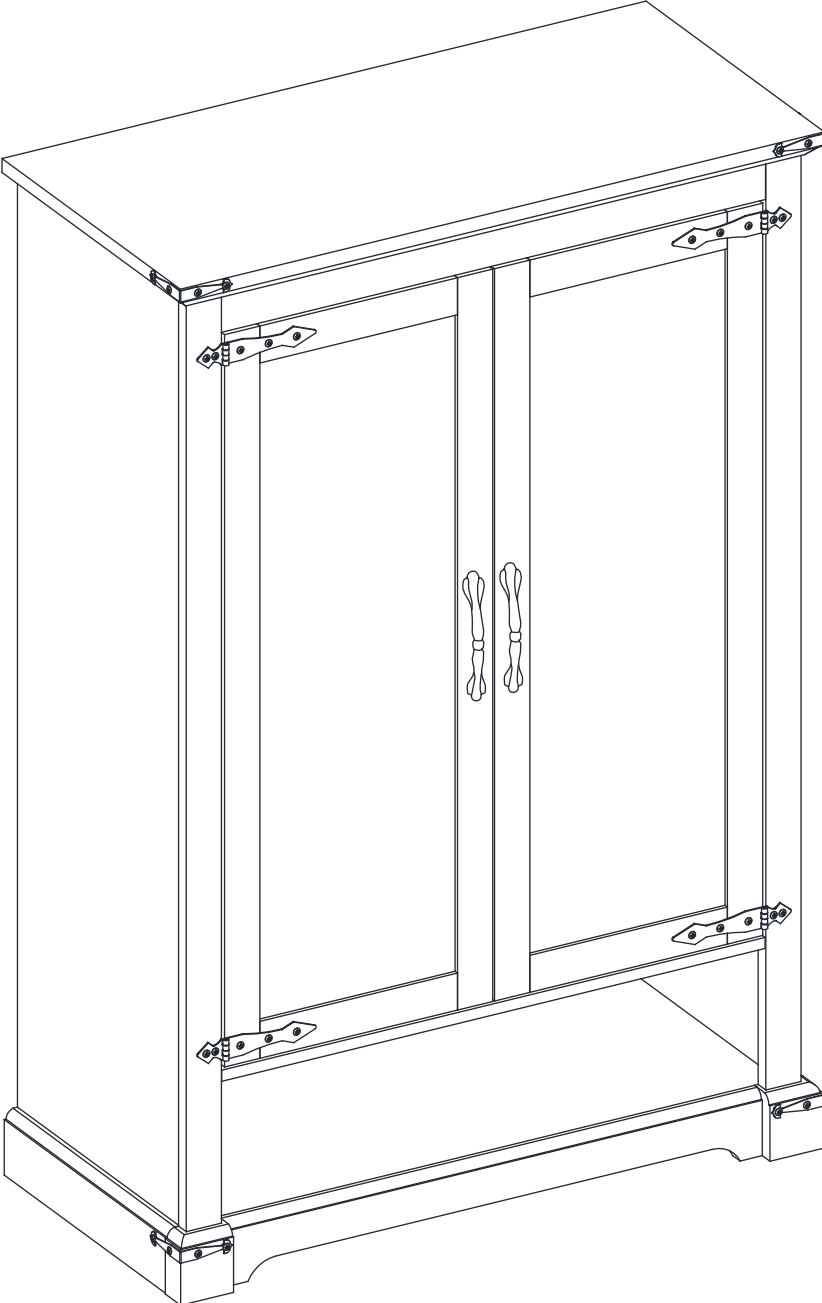
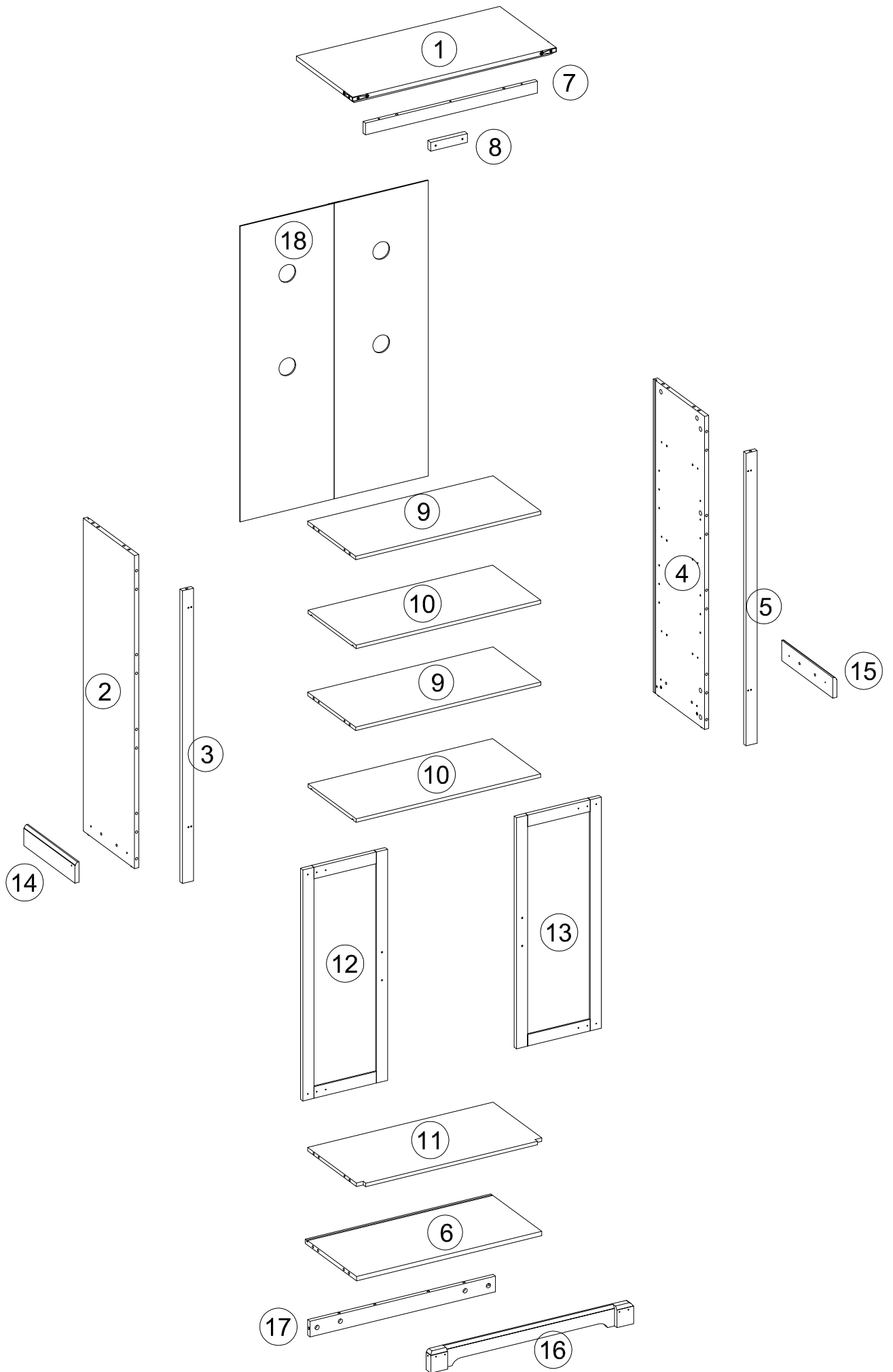
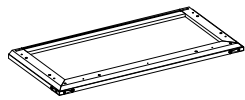


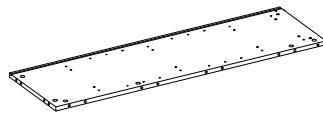
IMPORTANT, RETAIN FOR FUTURE REFERENCE: READ CAREFULLY.







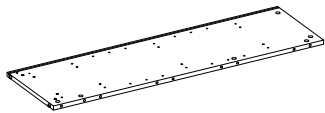
① x1



② x1



③ x1



④ x1



⑤ x1



⑥ x1



⑦ x1



⑧ x1



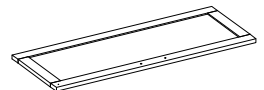
⑨ x2



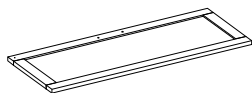
⑩ x2



⑪ x1



⑫ x1



⑬ x1



⑭ x1



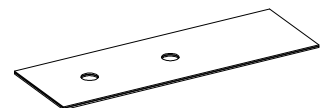
⑮ x1



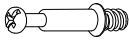




⑯ x1

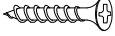









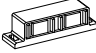
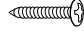
⑰ x1




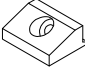
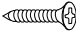



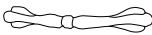

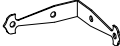

⑱ x1


A	x34	B	x22	C	x22	E	x34	F	x3
									
Ø6x35mm		Ø15x11mm		Ø8x30mm		Ø30mm		Ø4x44mm	

G	x6	H	x1	I	x4	J	x8	K	x2
									
Ø4x25mm		M4x57mm		M6x12mm		Ø5x16mm		58x20x20mm	

L	x4	M	x28	N	x2	O	x1	P	x2
									
134x22x1.5mm		Ø3.5x12mm		30x22mm				Ø3x15mm	

Q	x2	R	x12	S	x4	T	x8	U	x8
									
Ø3x12mm		Ø6x30mm						Ø3x17mm	

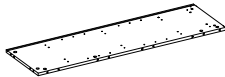
V	x4	W	x2	X	x4	Y	x2	Z	x12
									
Ø4x19mm				Ø8x20mm		59x59x14mm		Ø15x9mm	

AA	x2
	

1



① x1



② x1



③ x1



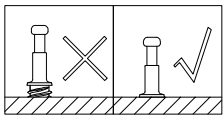
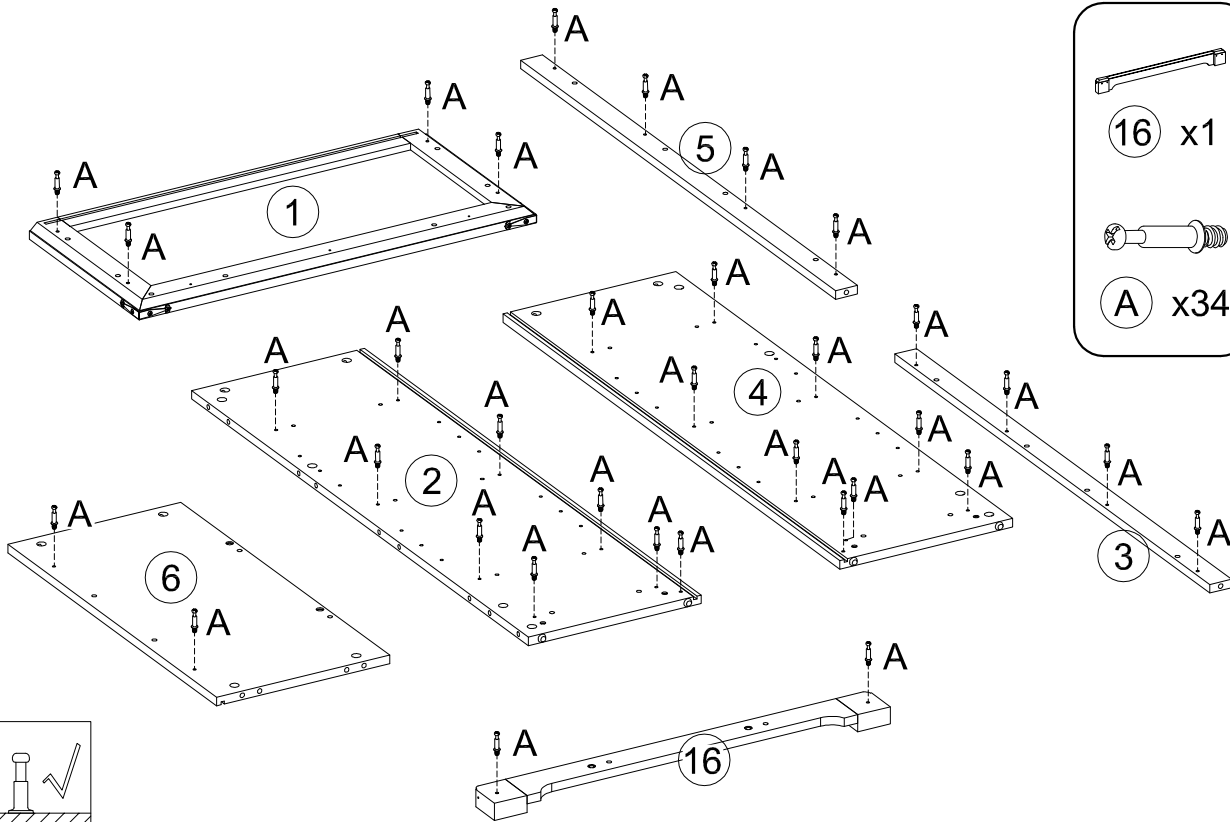
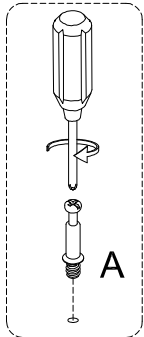
④ x1



⑤ x1



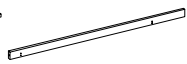
⑥ x1



2



④ x1



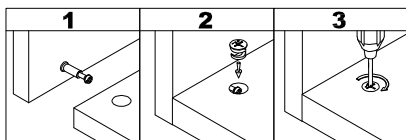
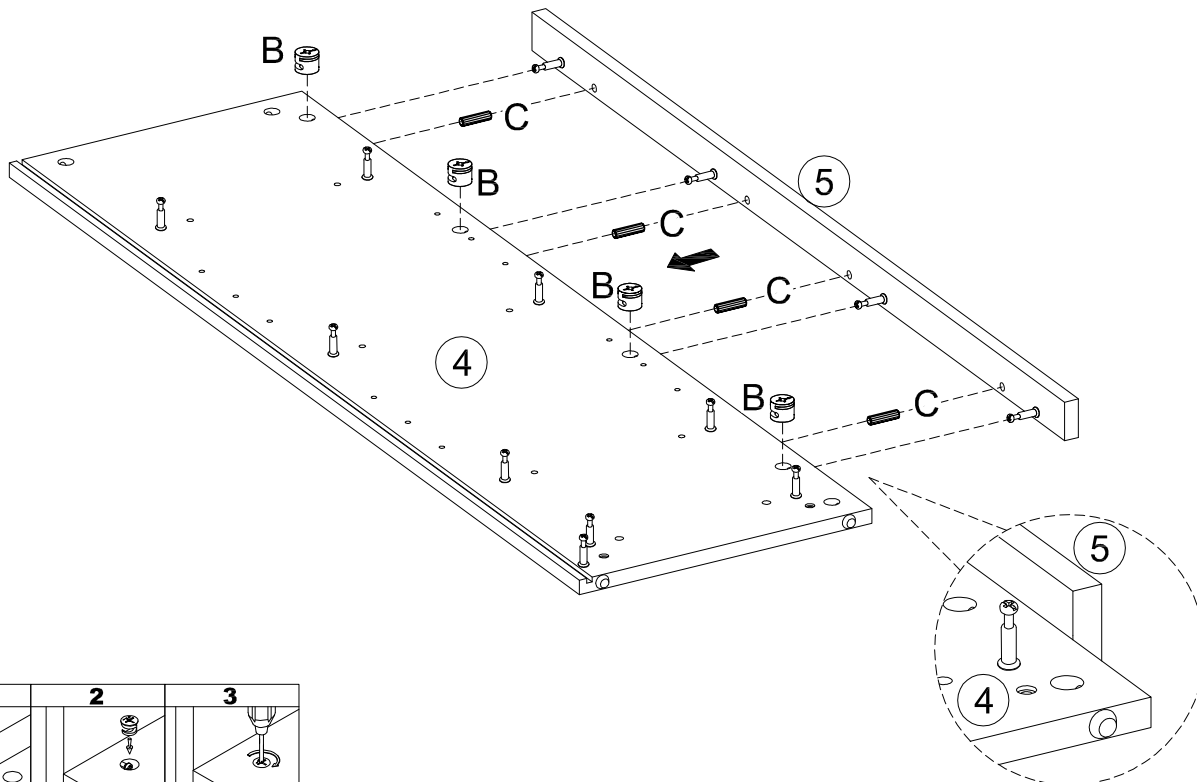
⑤ x1



①C x4







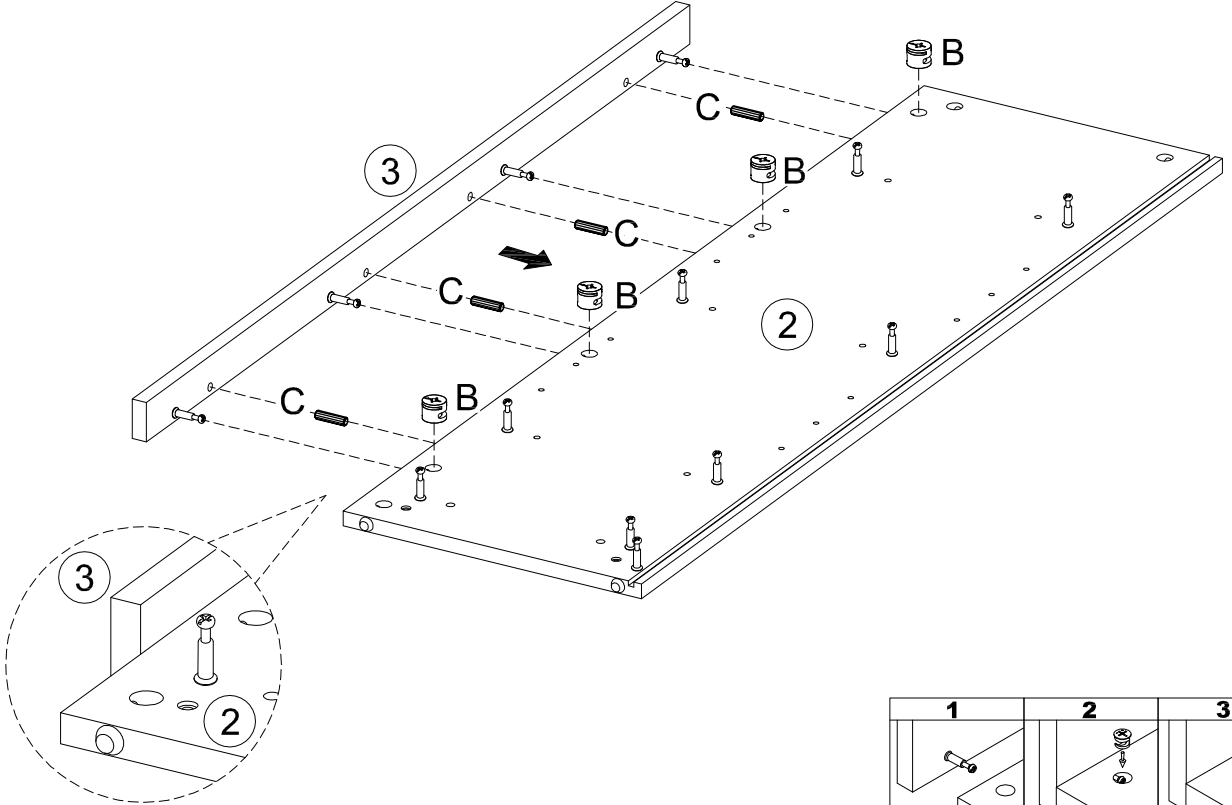
①B x4



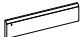
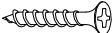

5

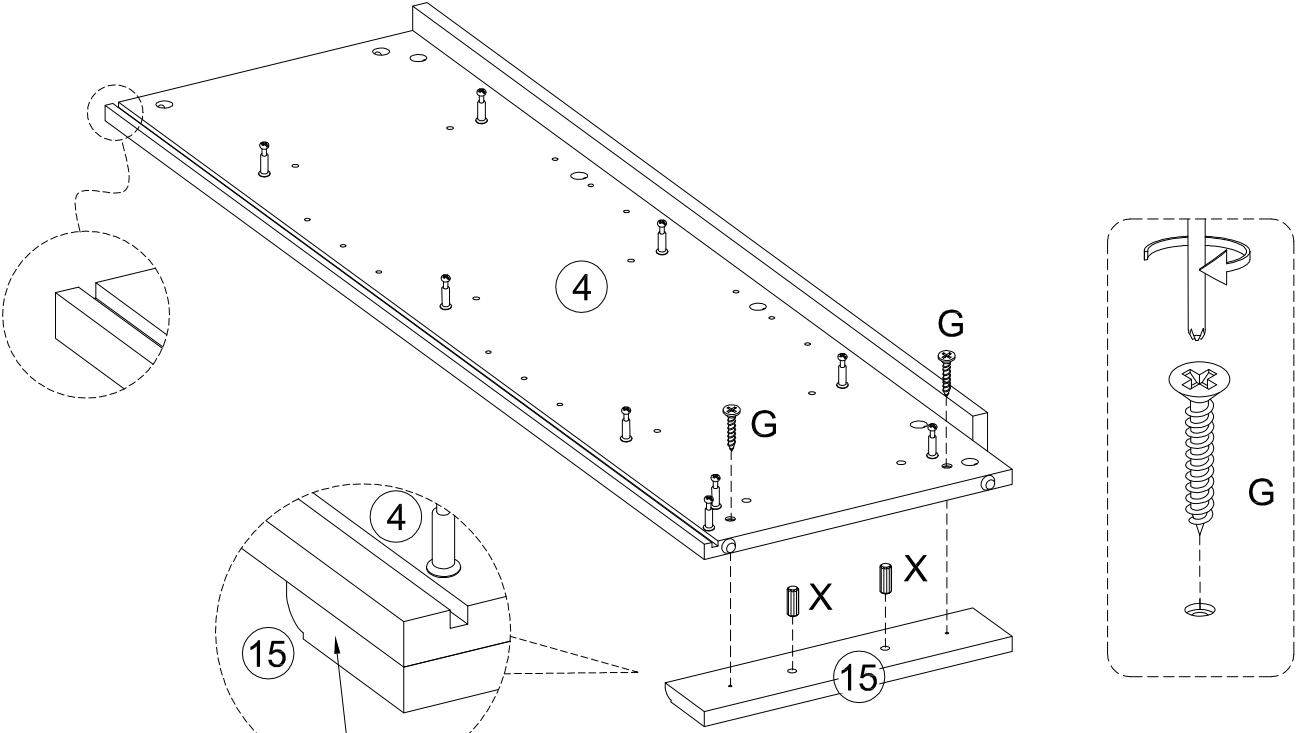
3

- 
② x1
- 
③ x1
- 
C x4
- 
B x4



4

- 
①5 x1
- 
G x2
- 
X x2



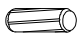


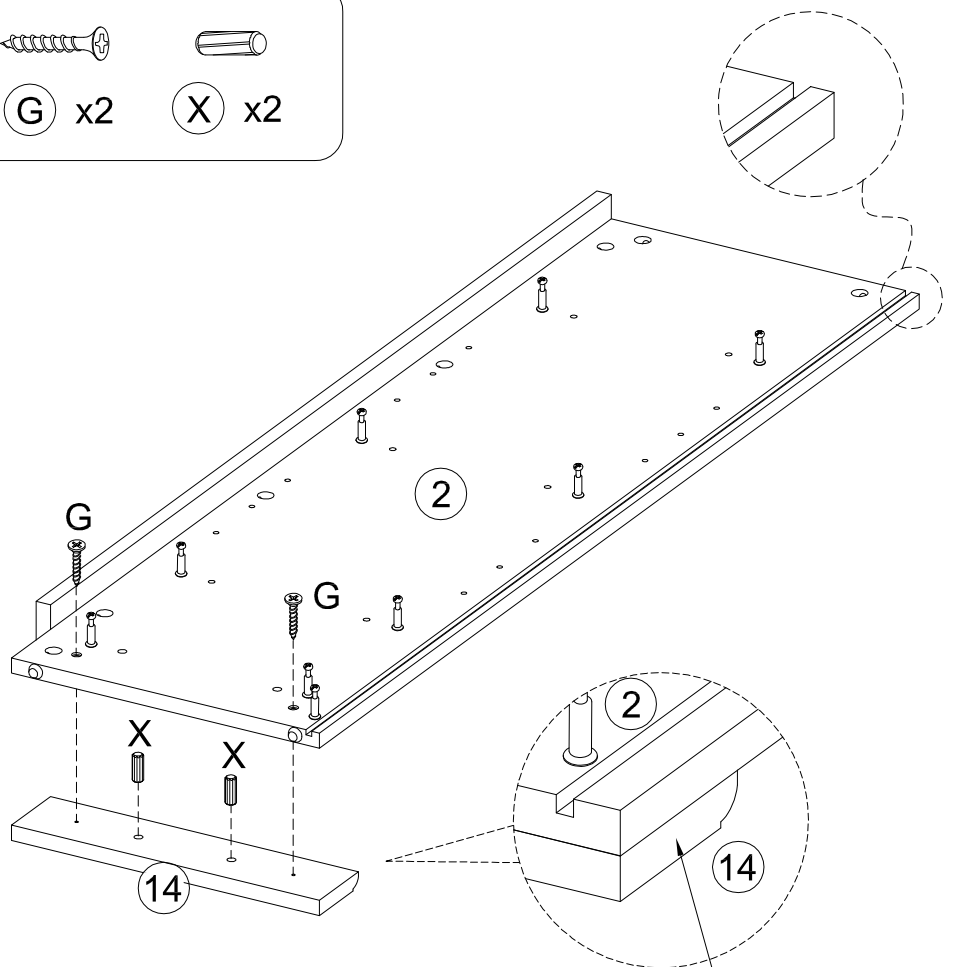
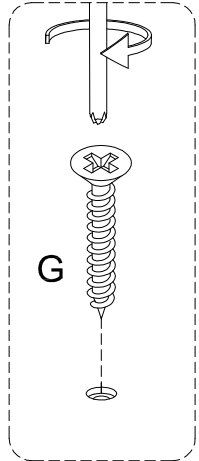
Finished edge

The curved side should match the direction in the diagram.

6

5






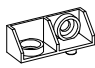

-  14 x1
-  G x2
-  X x2

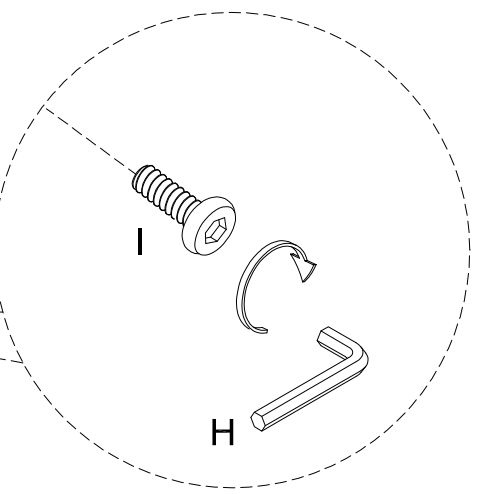
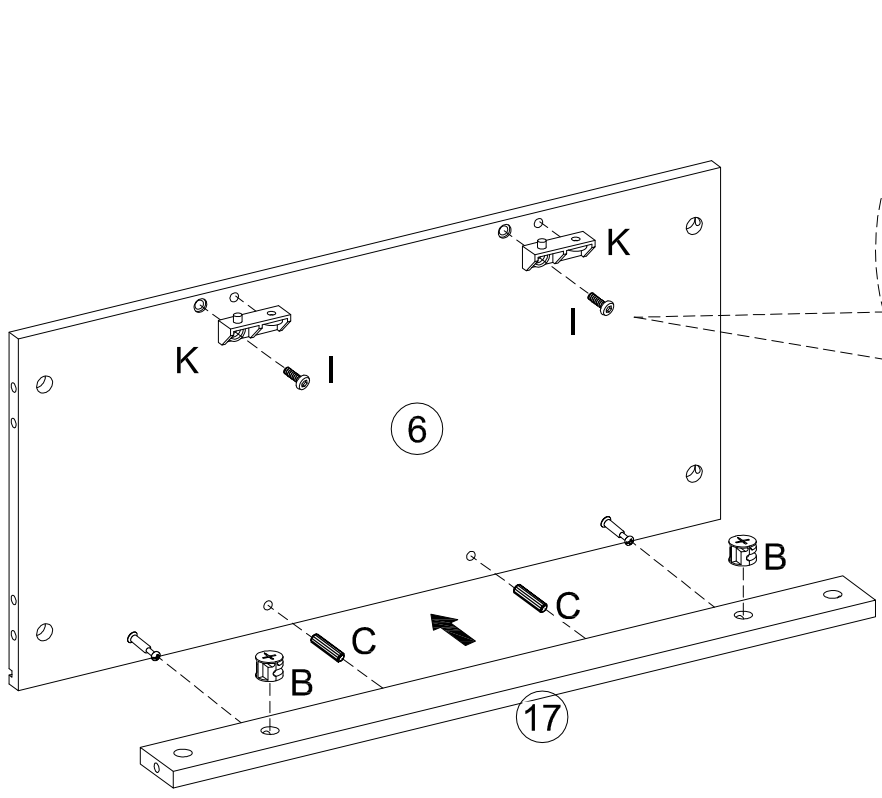


The curved side should match the direction in the diagram.





Finished edge

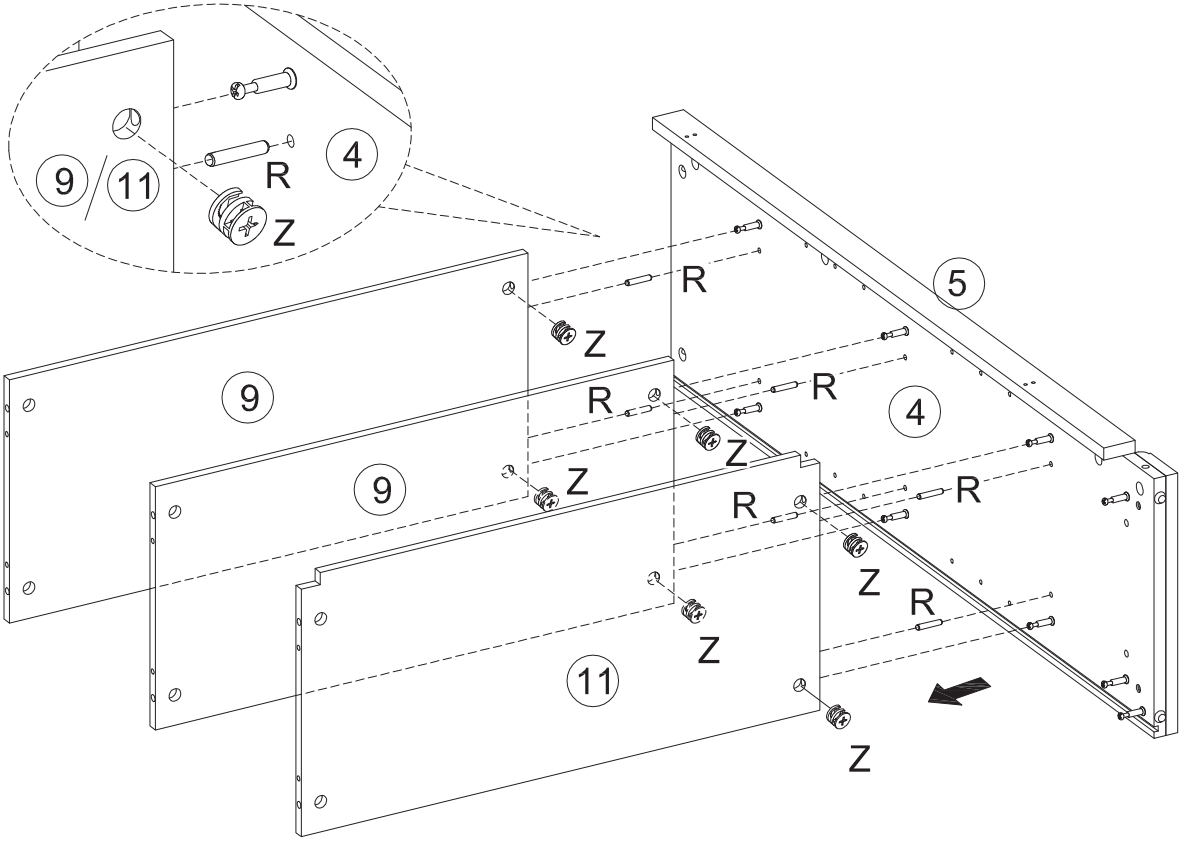
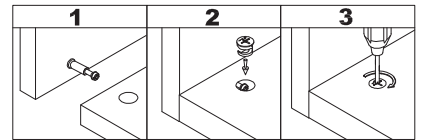
6

-  6 x1
-  17 x1
-  C x2
-  B x2
-  I x2
-  K x2
-  H x1






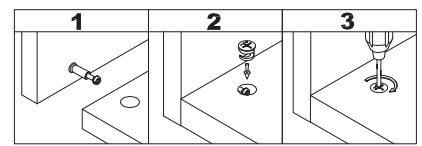
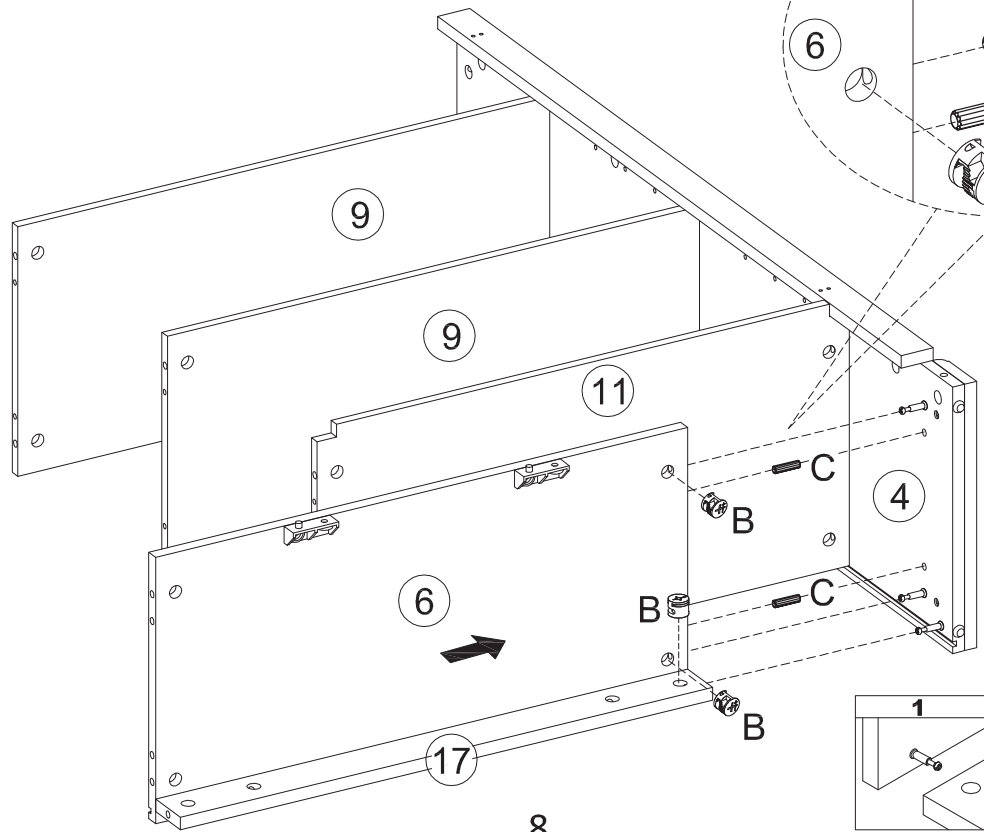
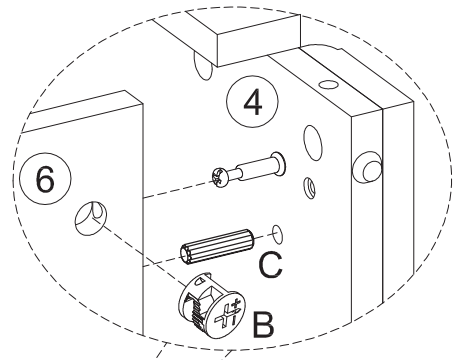
7

- 
9 x2
- 
11 x1
- 
R x6
- 
Z x6



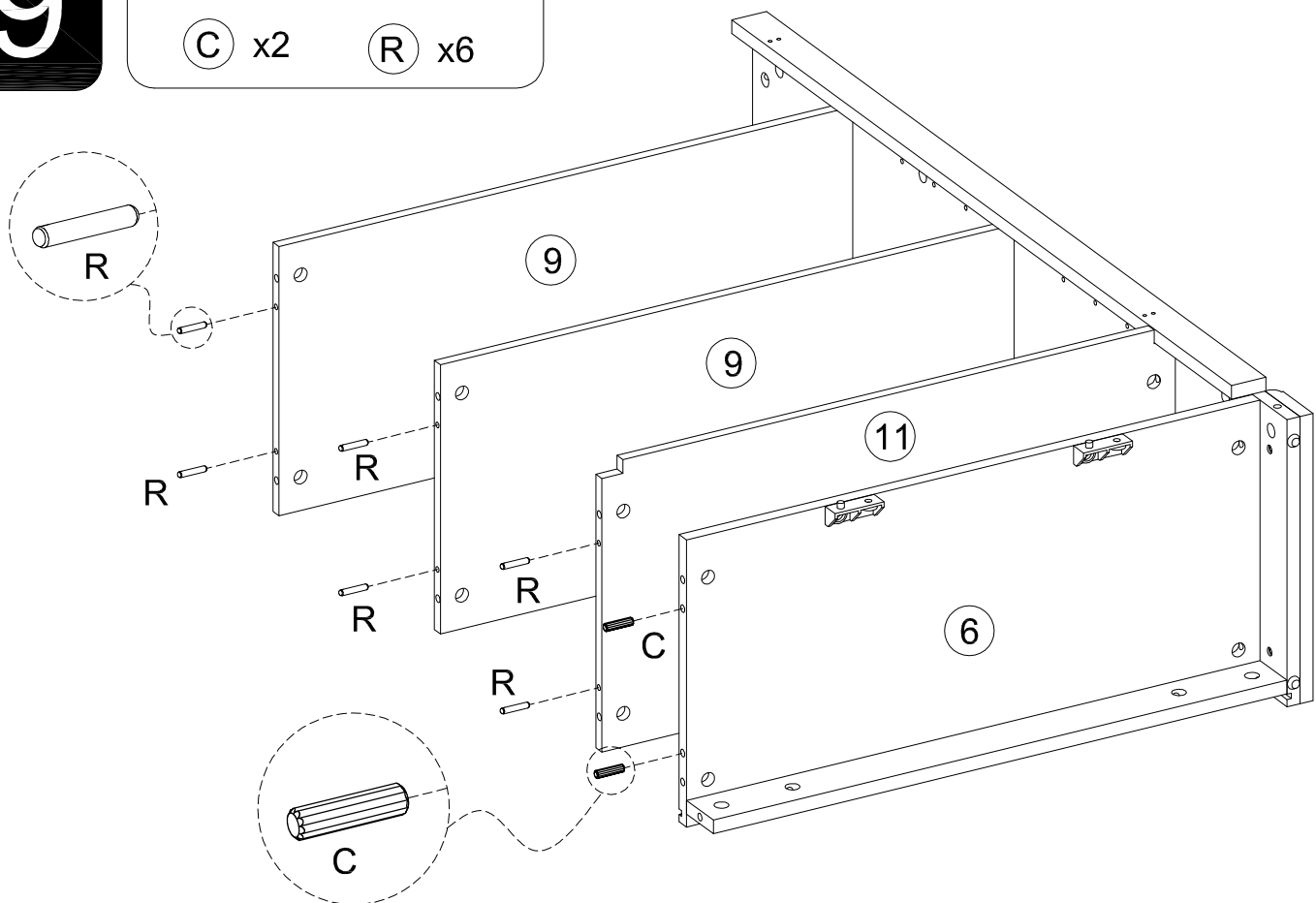
8

- 
6 x1
- 
C x2
- 
B x3



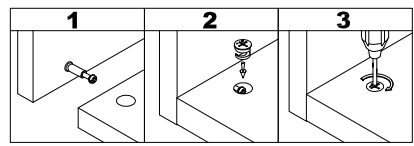
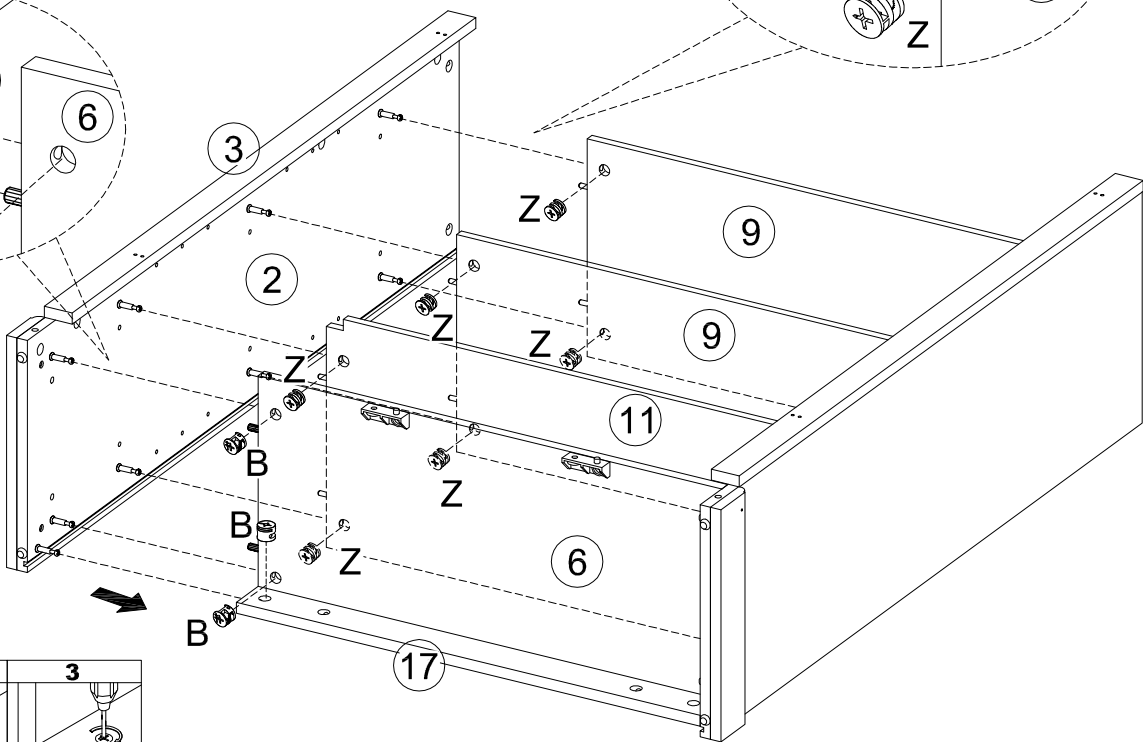
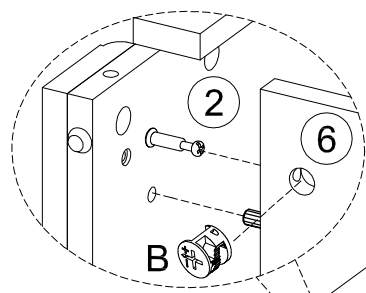
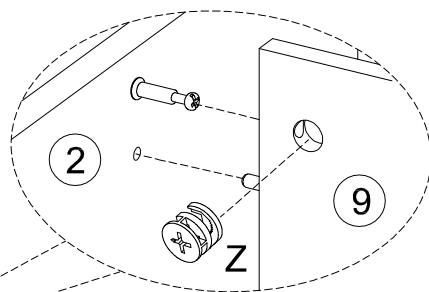
9

- C** x2
- R** x6



10

- B** x3
- Z** x6



9

11



16 x1



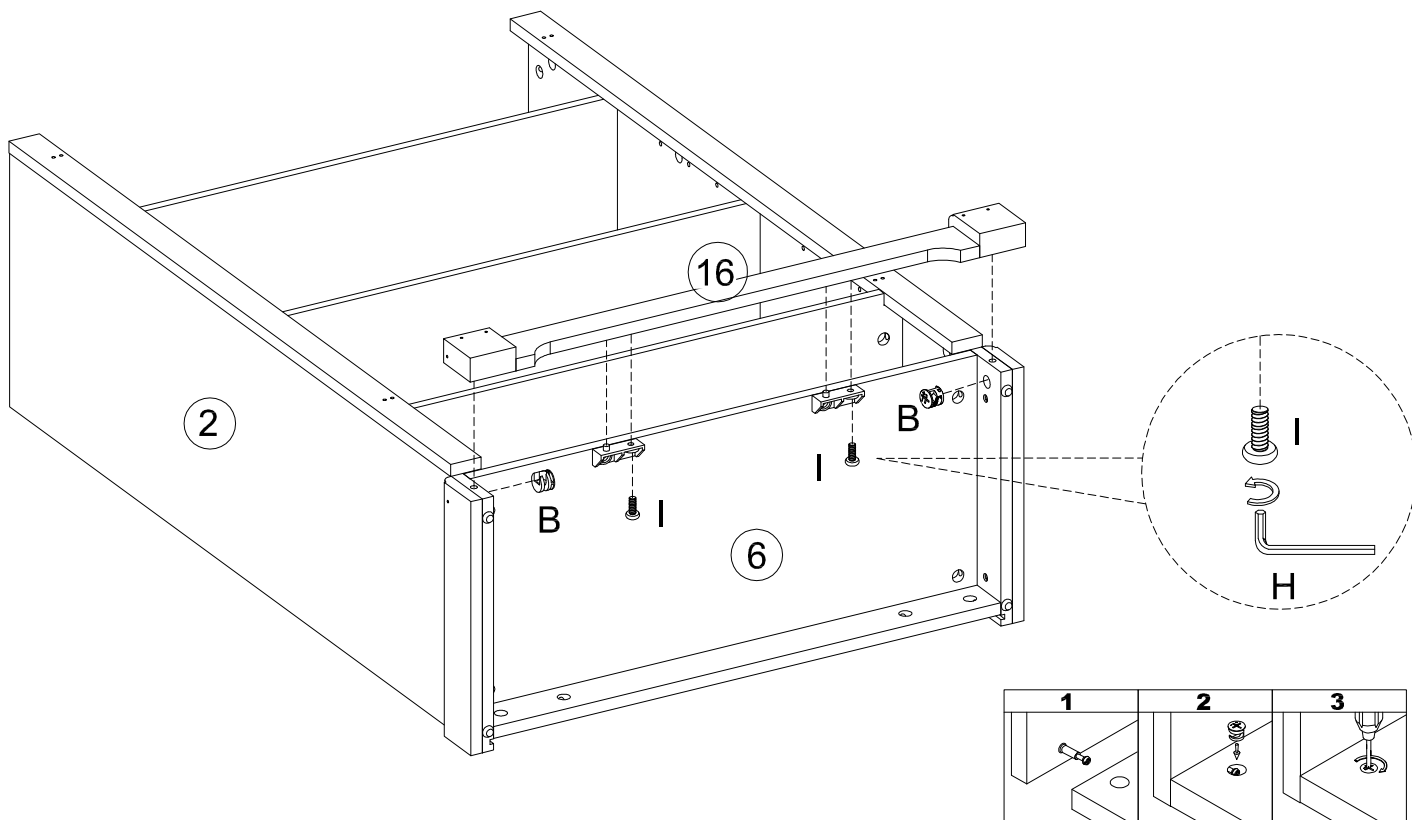
H x1



I x2



B x2



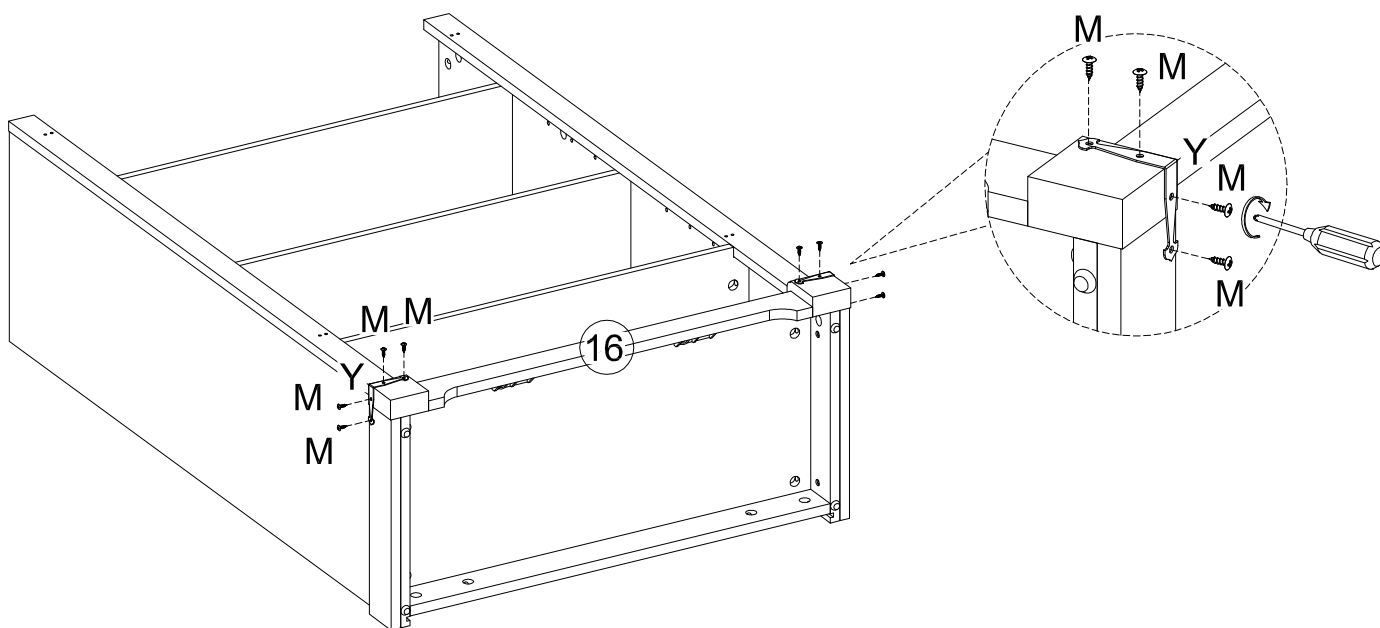
12



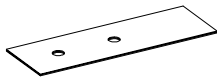
M x8



Y x2



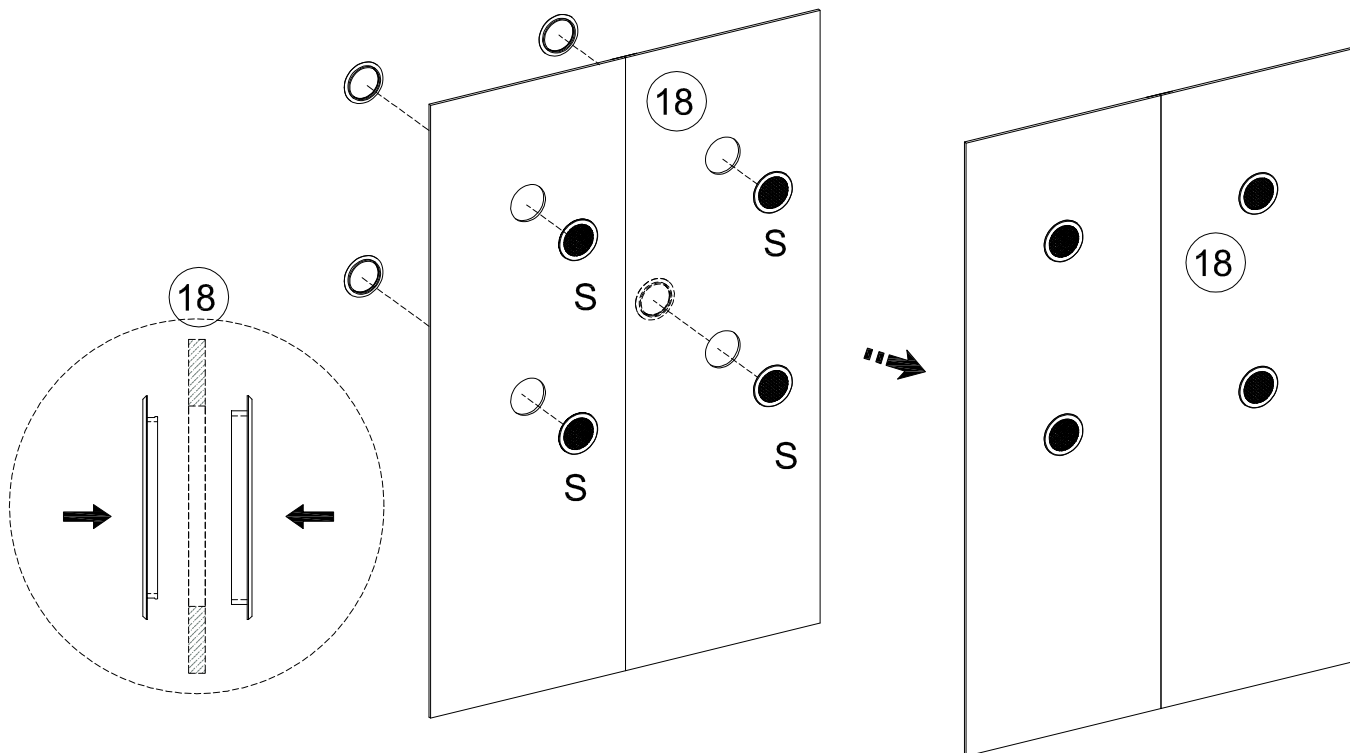
13



18 x1

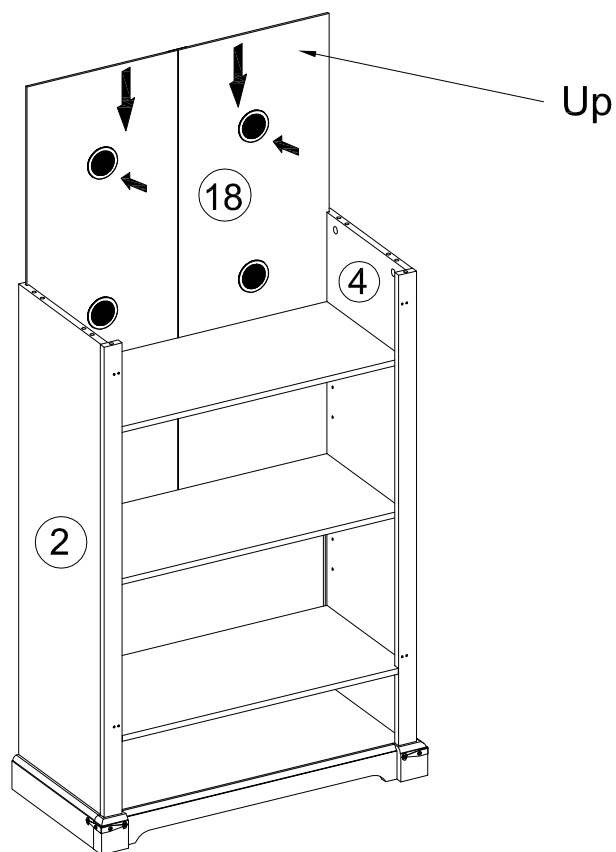


S x4



14

Pay attention to the orientation of the hole.



11

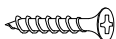
15



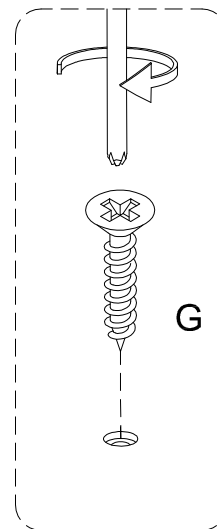
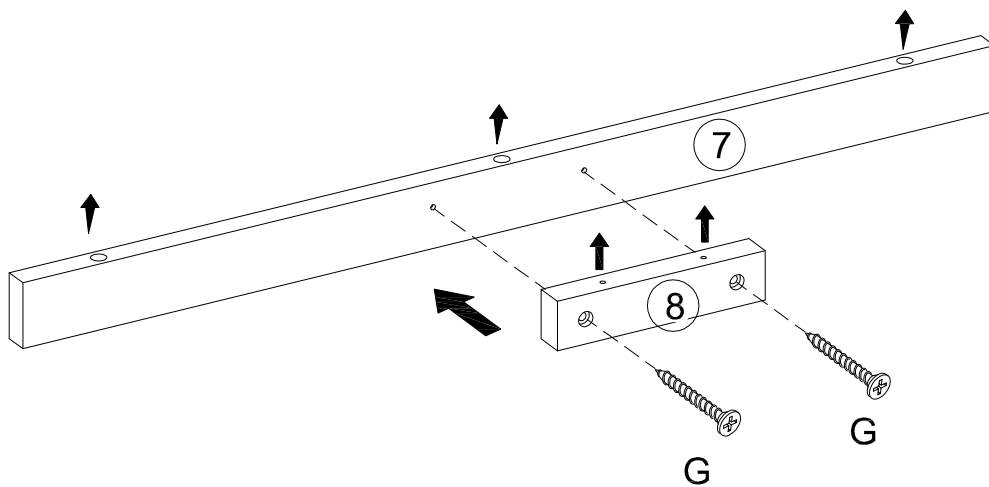
7 x1



8 x1



G x2



Please pay attention to the installation direction of 8.

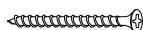
16



1 x1

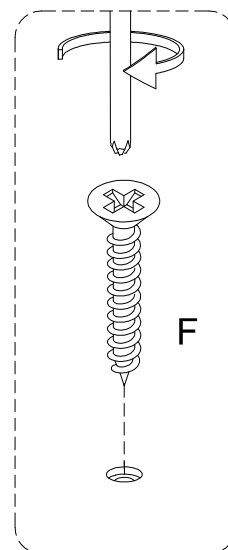
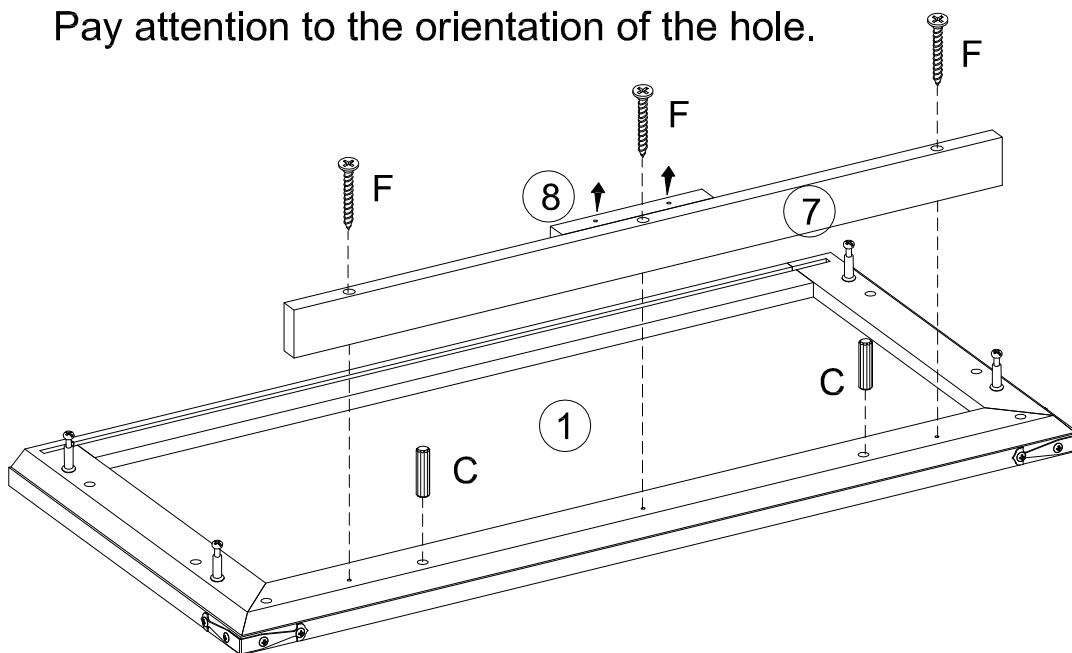


C x2

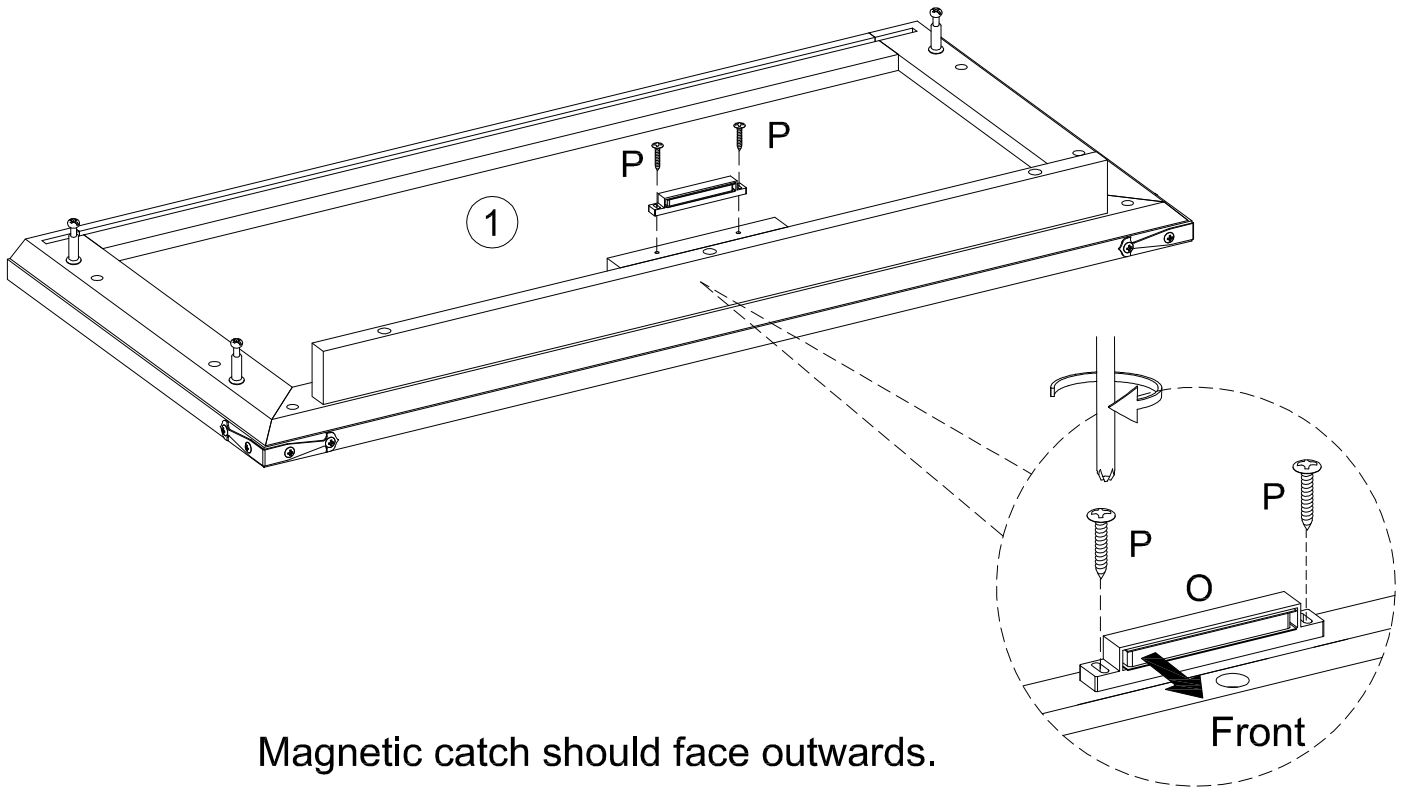
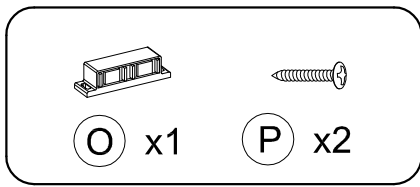


F x3

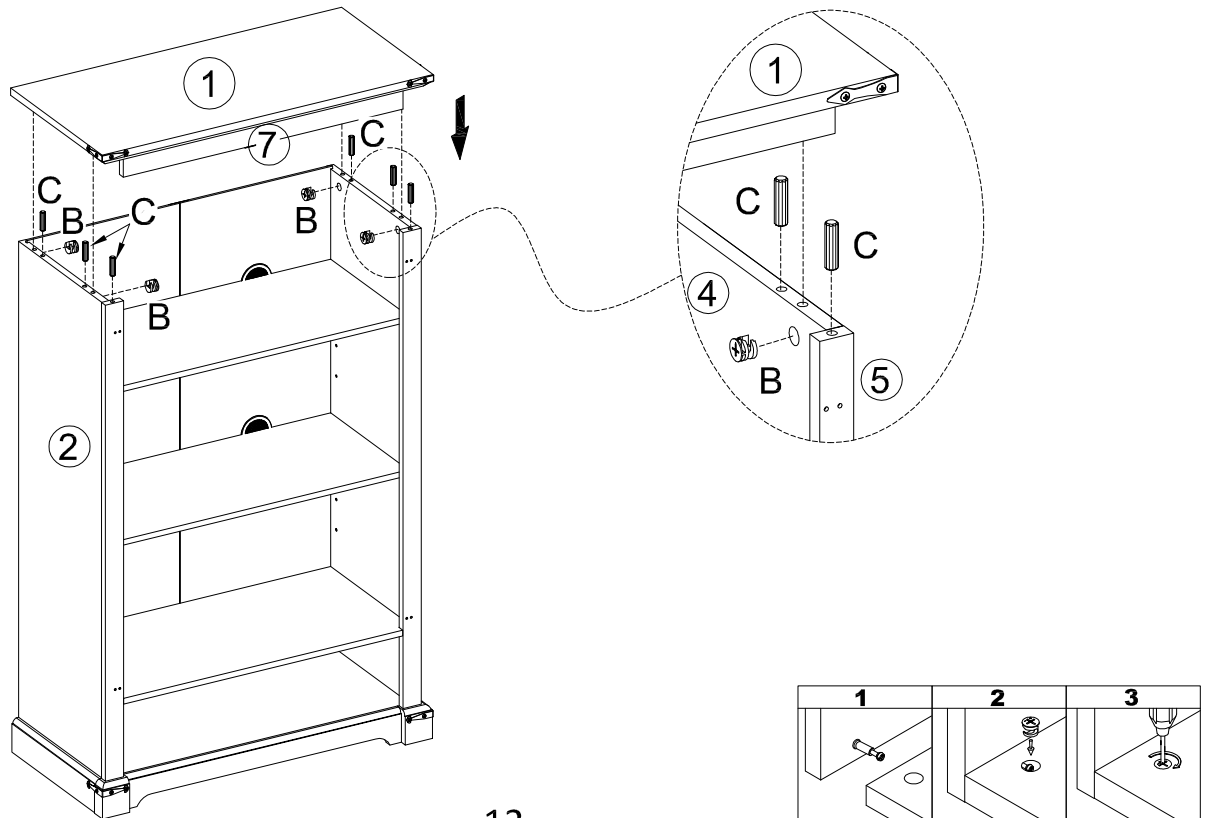
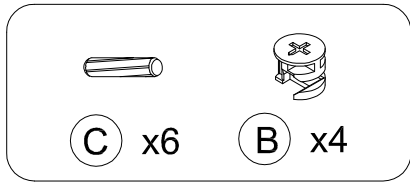
Pay attention to the orientation of the hole.



17



18



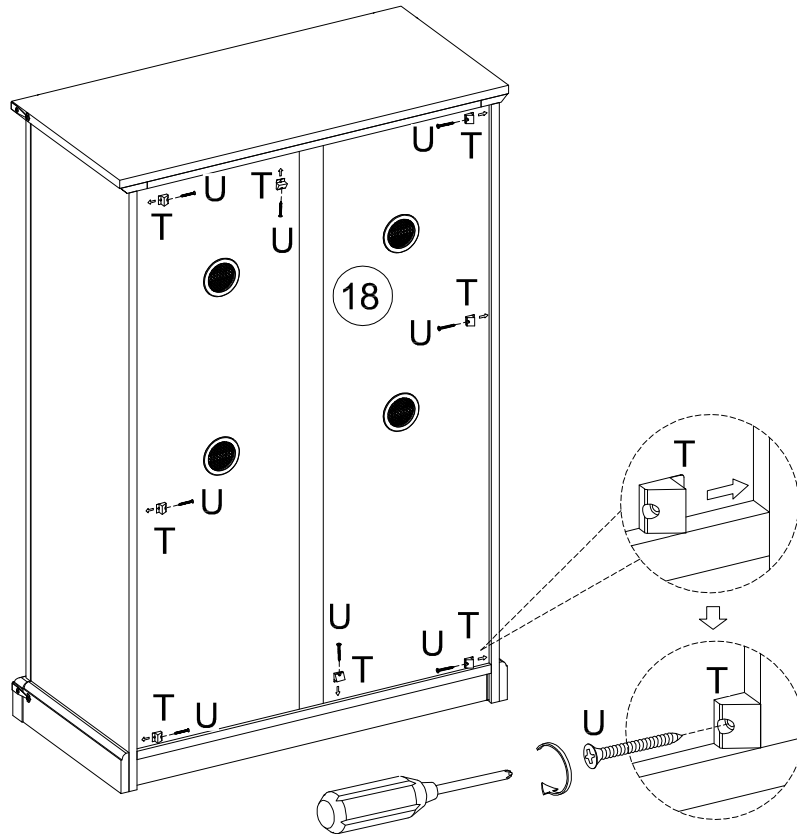
19



T x8



U x8



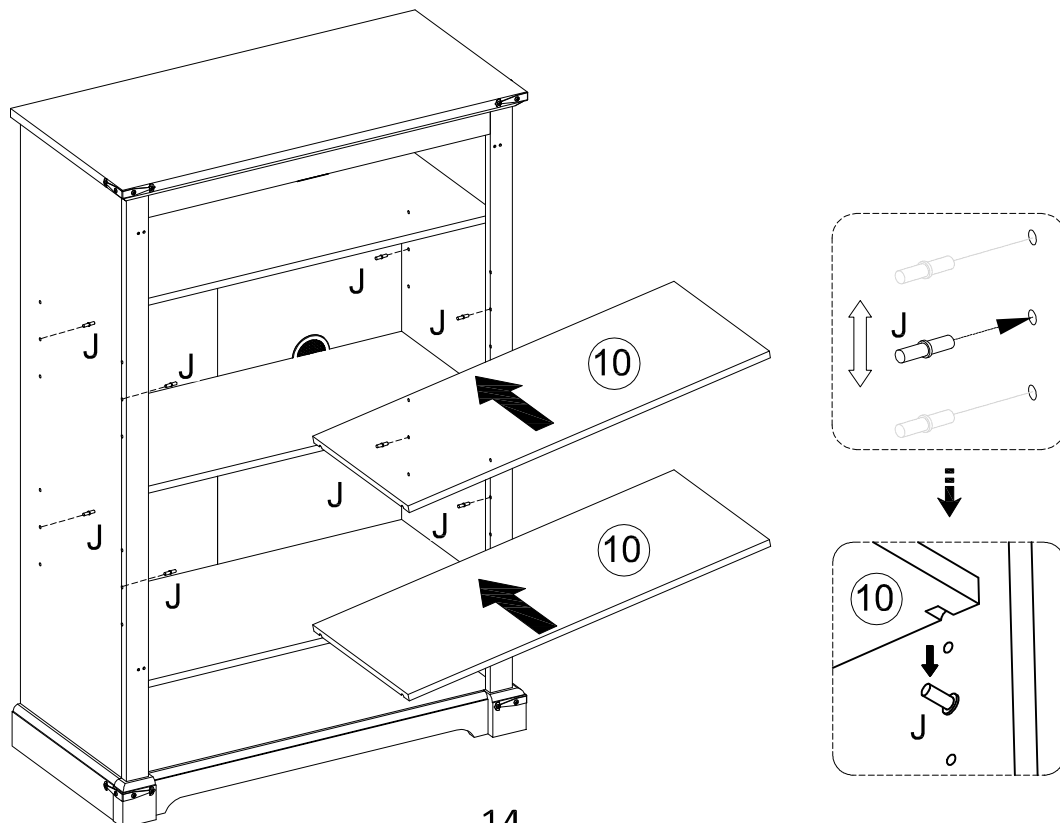
20



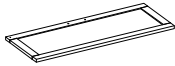
10 x2



J x8



21



13 x1



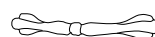
N x1



Q x1



V x2



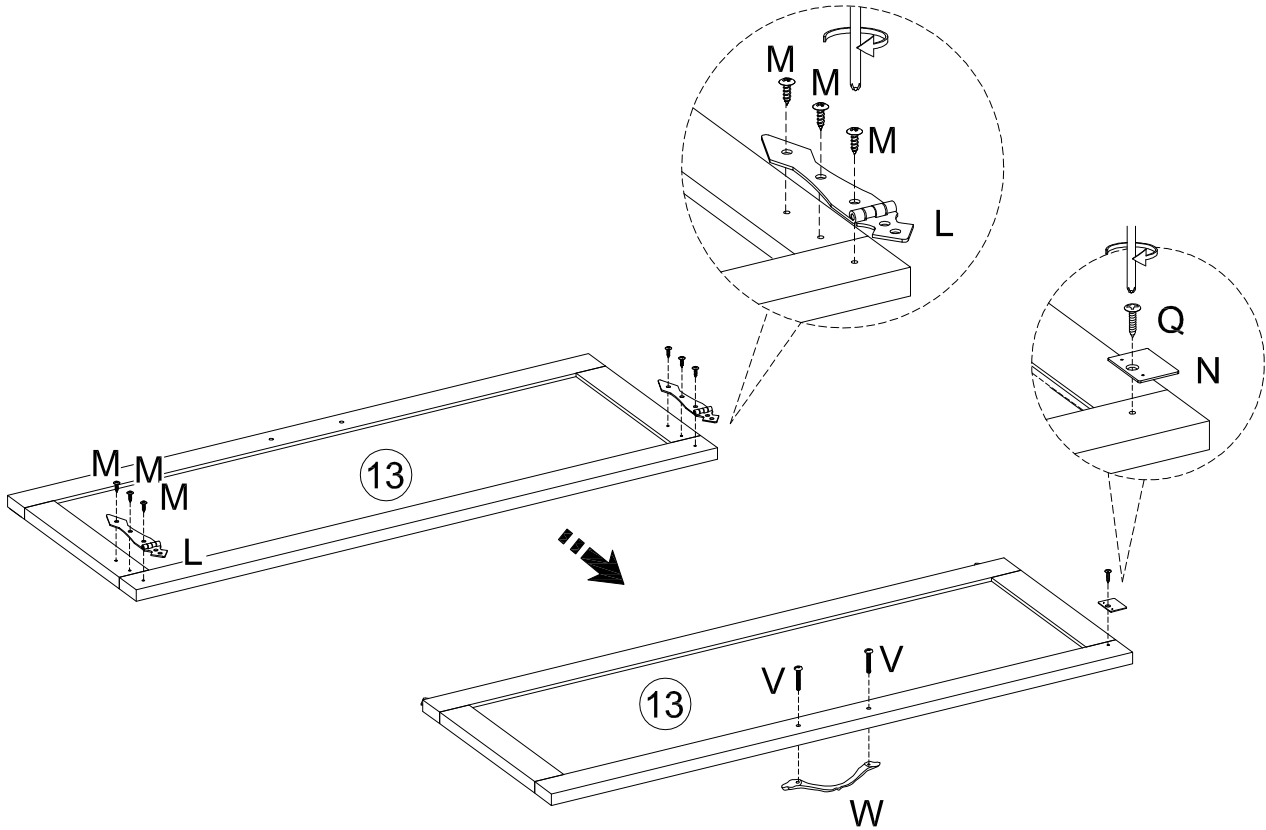
W x1



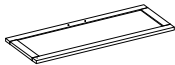
L x2



M x6



22



12 x1



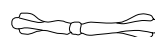
N x1



Q x1



V x2



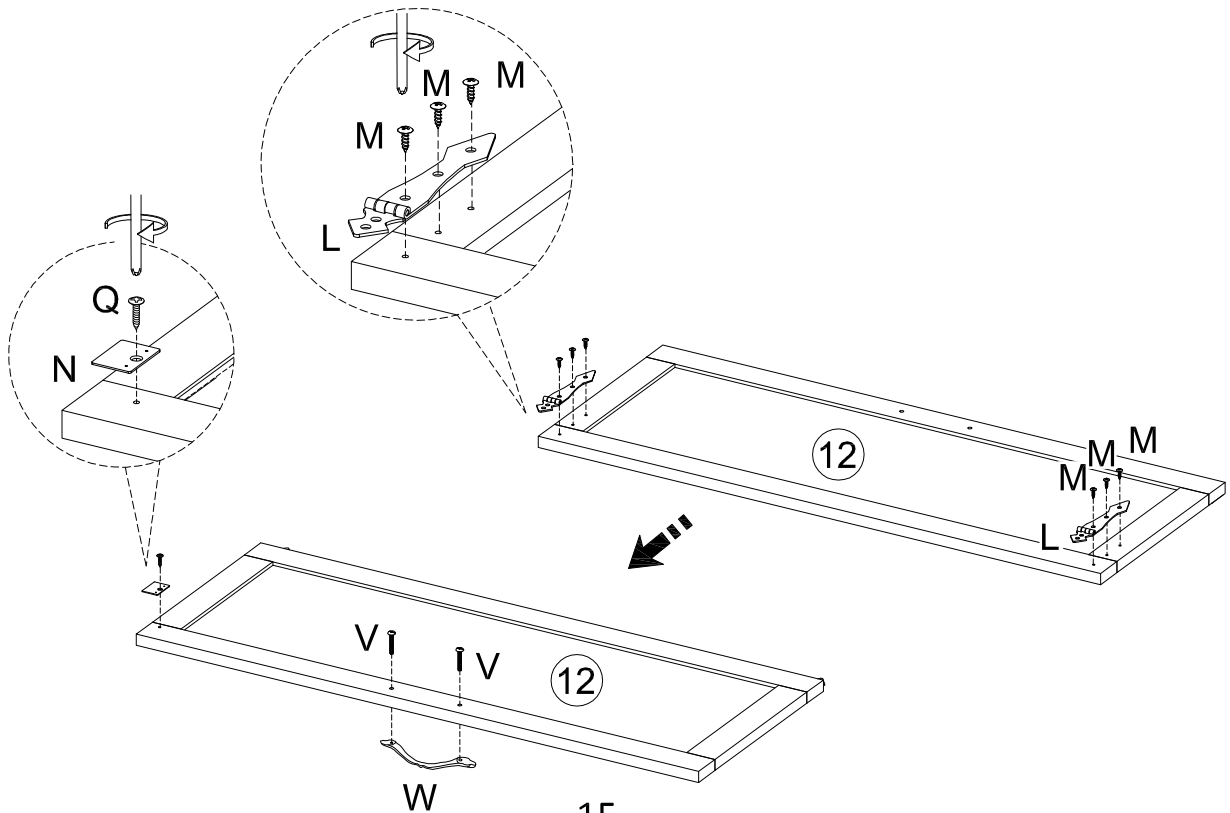
W x1



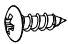
L x2

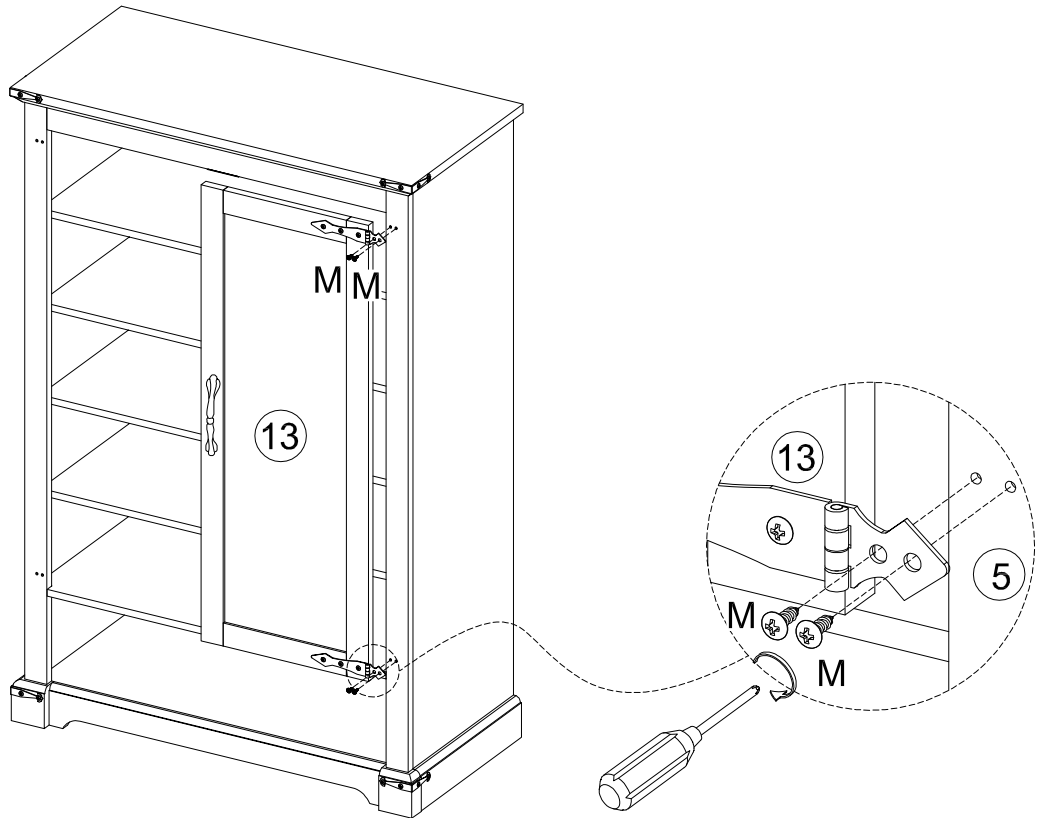


M x6




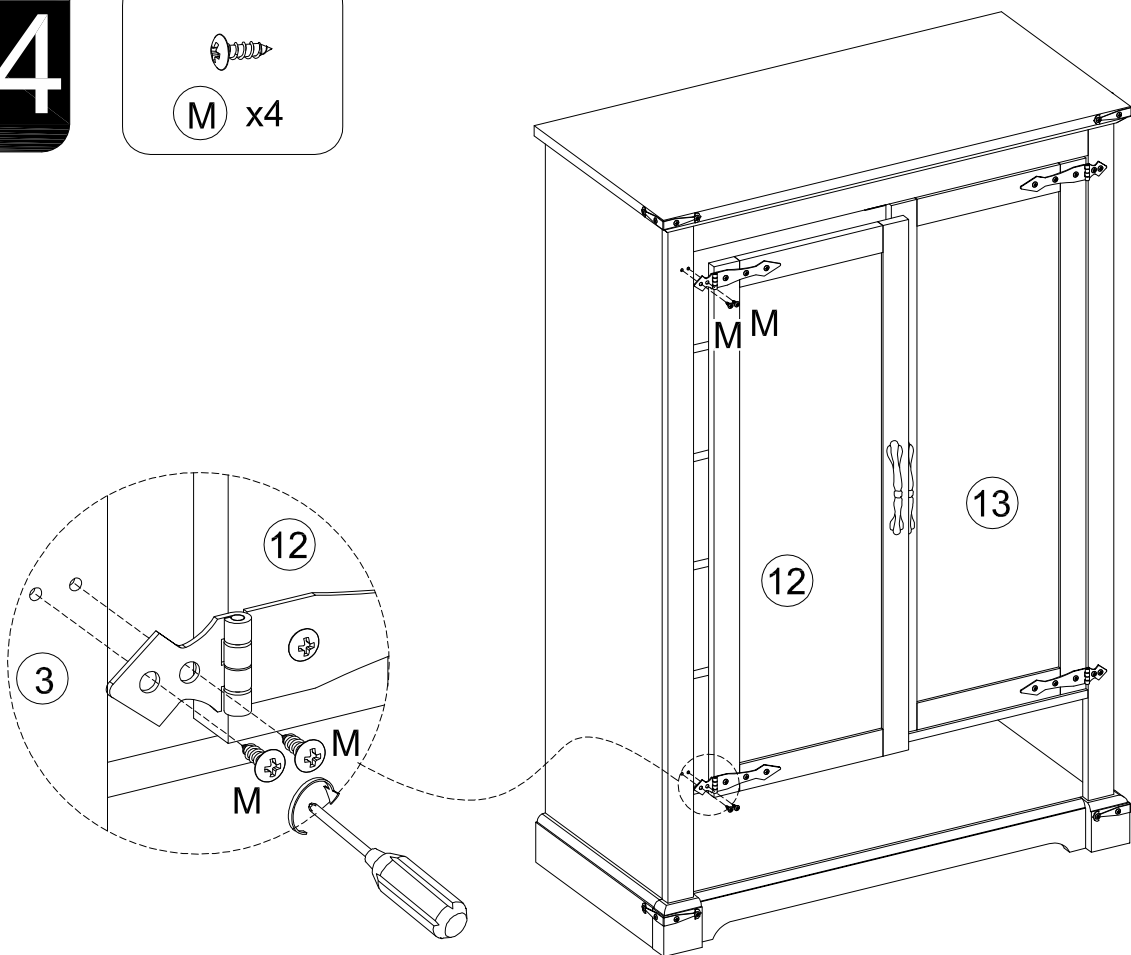
23


(M) x4



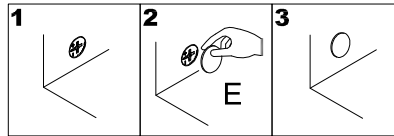
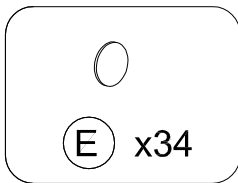
24


(M) x4

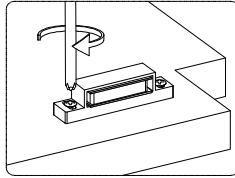


16

25

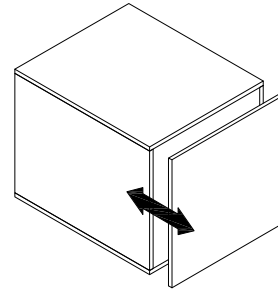


.Stick stickers (E) on cam locks (B)/(Z).

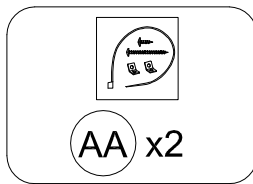


. To adjust depth.

Loosen screws(P) and adjust Magnetic catch(O), then tighten screws(P).



26

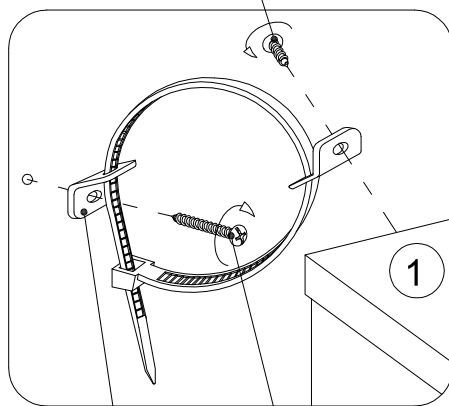


WARNING

You must install the tip restraint hardware to help prevent any accidents or damage to the unit. We strongly recommend attaching the tip restraint hardware to a wall stud and your unit. For all other wall types, please visit your local hardware store to obtain the proper hardware.

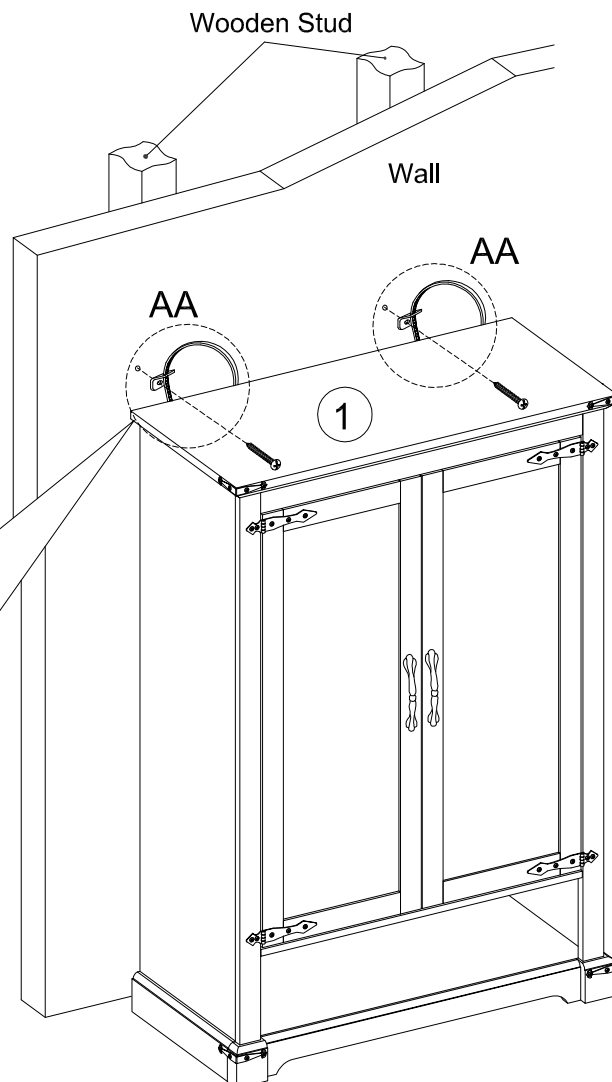


Short Screw



Metal Bracket

Long Screw



Installation Completed