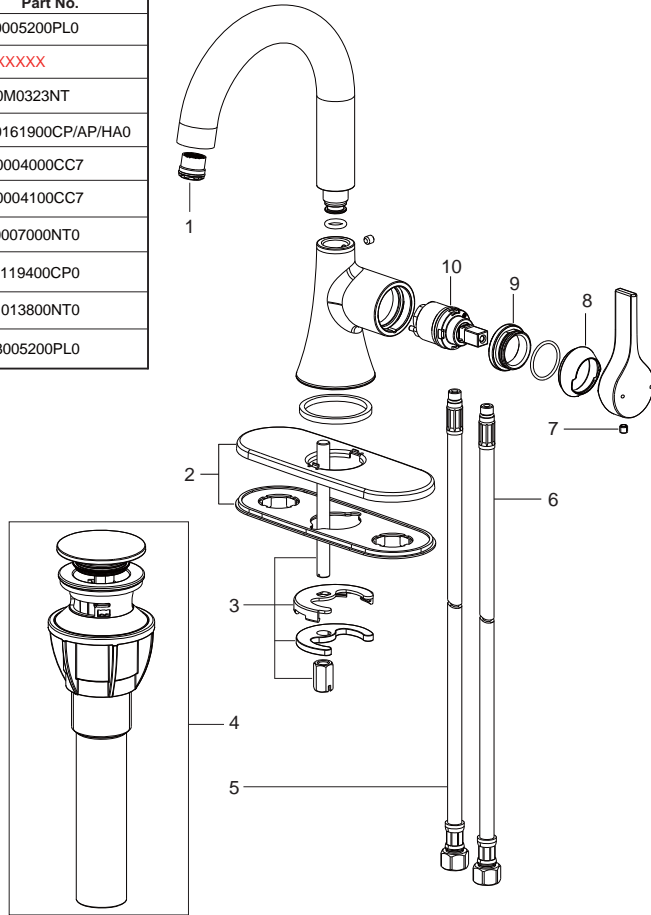


UF38000  
UF38003  
UF38005  
UF38007  
UF38008

No.	Description	Part No.
1	Aerator Assembly	5E0005200PLO
2	Deck Plate Assembly	XXXXXXX
3	Lavatory Spout Mounting Hardware	5Q0M0323NT
4	Push Drain Assembly	5Y0161900CP/AP/HA0
5	Braided Hose(Hot)	5G0004000CC7
6	Braided Hose(Cold)	5G0004100CC7
7	Set Screw	5T0007000NT0
8	Dome	5L0119400CP0
9	Nut	5T1013800NT0
10	Cartridge	5D8005200PLO



### Limited Lifetime Warranty

Ultra Faucets warrants to the original purchaser that its products will be free from defects in workmanship and materials. All Ultra Faucets are provided with a life time limited warranty. This warranty does not cover any other labor or service charges associated with the removal, repair, or reinstallation of Ultra Faucets products. This express warranty does not apply to products that have been damaged as a result of misuse, abuse, negligence, accident, faulty installation or maintenance practices and/or used in any manner contrary to those recommended by the manufacturer.

**Need help?** Please call our toll-free customer service line at 1-888-658-5872 for additional assistance or service.

**Besoin d'aide?** Veuillez communiquer avec notre service à la clientèle au numéro gratuit 1-888-658-5872 pour tous renseignements ou services complémentaires.

**¿Requiere asistencia?** Llame a nuestro Servicio al Cliente, sin costo, al 1-888-658-5872 para asistencia adicional o servicio.

# Nita Collection

## Single Handle Lavatory Faucet



## Installation/Installation/Instalación

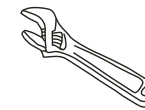
### CUSTOMER SERVICE

TOLL-FREE 1-888-OK-ULTRA (658-5872)

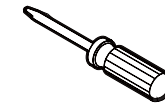
UF38000 - Polished Chrome  
UF38003 - PVD Brushed Nickel  
UF38005 - Oil Rubbed Bronze  
UF38007 - Matte Black  
UF38008 - Brushed Gold



### Tools You Will Need / Outils dont vous aurez besoin / Herramientas necesarias



Adjustable Wrench  
Clé à molette  
Llave ajustable



Phillips Screwdriver  
Tournevis Phillips  
Destornillador cruciforme

### SAFETY TIPS

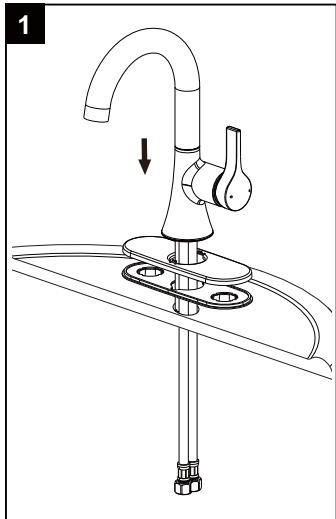
- If you use soldering for the installation of the faucet, the seats, cartridges and washers will have to be removed before using flame. Otherwise, warranty will be void on those parts.
- Cover your drain to avoid losing parts.
- 0°C~55°C.

### CONSIGNES DE SÉCURITÉ

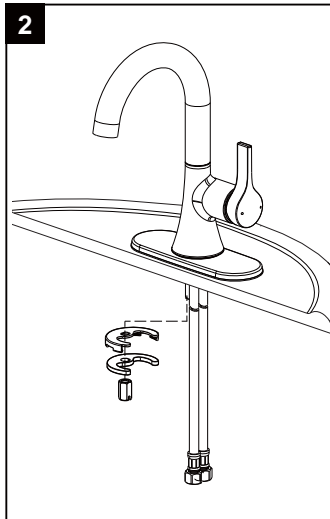
- Si vous posez le robinet par brasage, il est essentiel de retirer les sièges, les cartouches et les rondelles avant d'appliquer la flamme, faute de quoi la garantie sur ces pièces sera annulée.
- Couvrez le drain pour ne pas perdre des pièces.
- 0°C~55°C.

### CONSEJOS DE SEGURIDAD

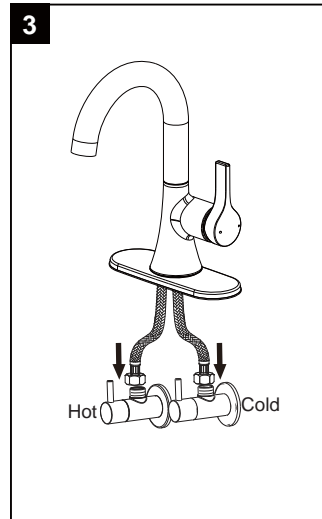
- En el caso de utilizar soldadura para instalar el grifo, remueva los asientos, cartuchos y arandelas antes de usar la llama. De lo contrario, se anulará la garantía para esos componentes.
- Tape la boca del desagüe para prevenir la pérdida de piezas pequeñas.
- 0°C~55°C.



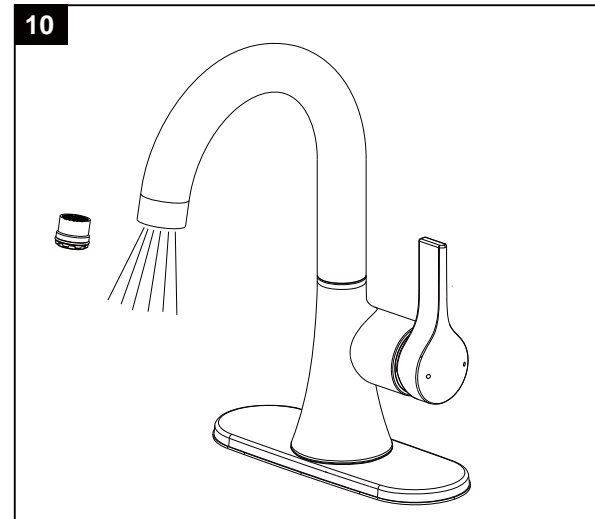
1  
Install the faucet through the mounting hole.



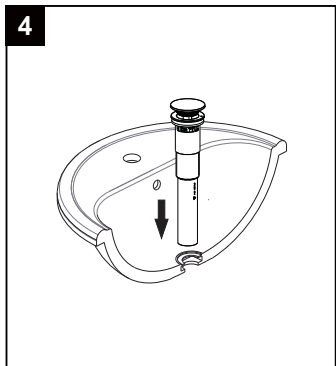
2  
Carefully tighten Spout Mounting hardware to secure faucet.



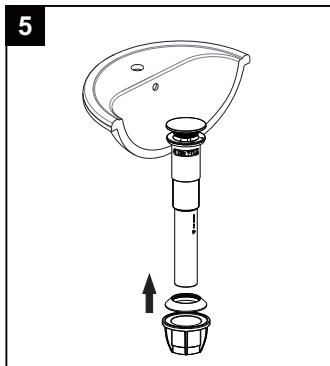
3  
Connect the water supply lines to the hot and cold angle stops.



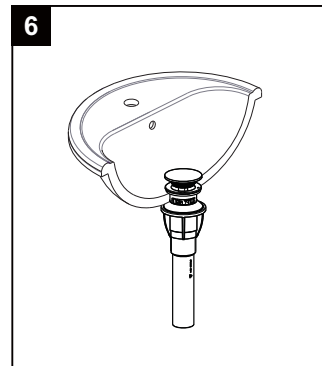
10  
Remove aerator with coin and flush out debris. Reinstall aerator.



4  
Slide push drain trim and plug into drain hole.



5  
Install sealing washer with plastic nut into drain body and tighten it to secure.



6  
Complete the assembly.