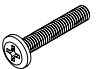
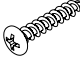

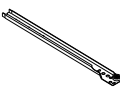


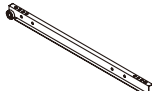
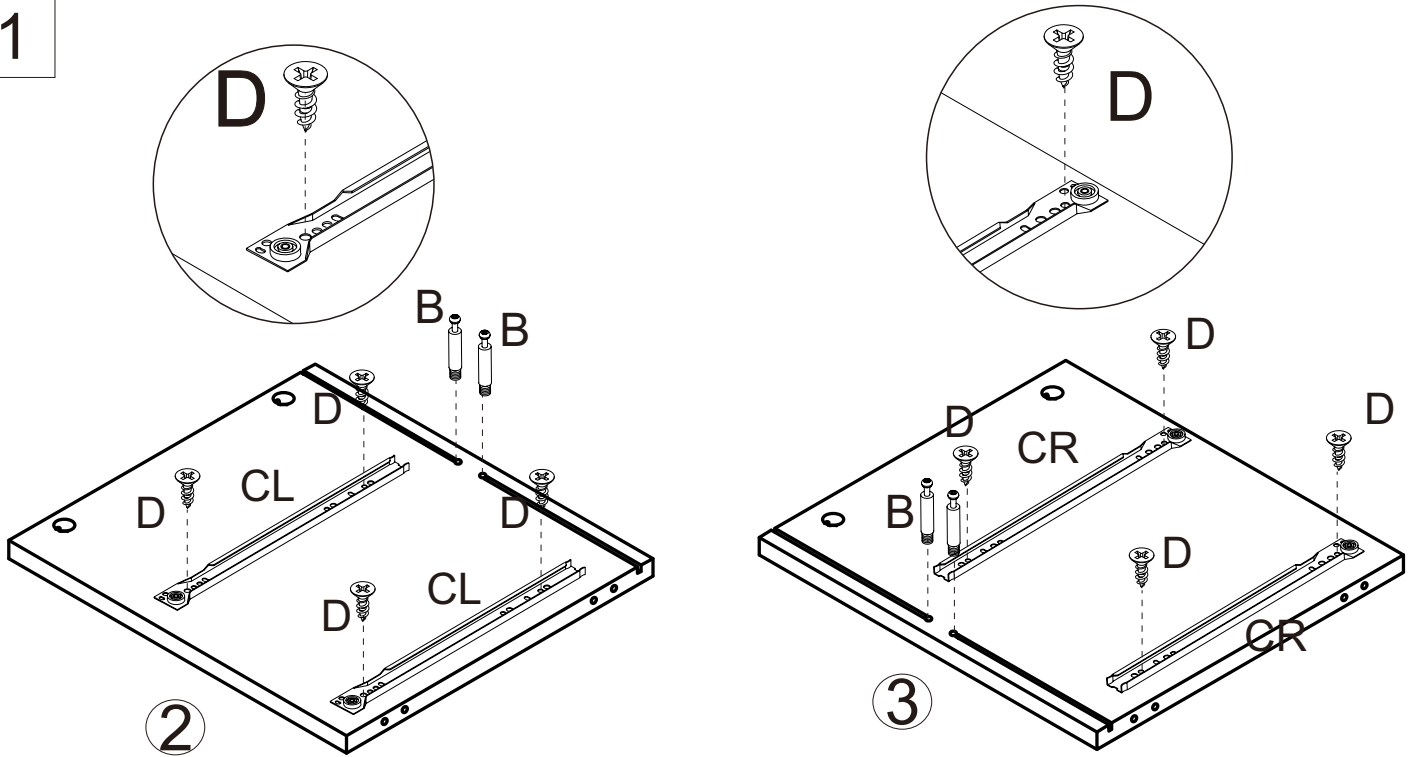


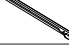


Ax16	Bx16	Cx8	Dx16	Ex12
				
Fx4	Gx8	Hx2	CLx2	CRx2
				
DLx2	DRx2			

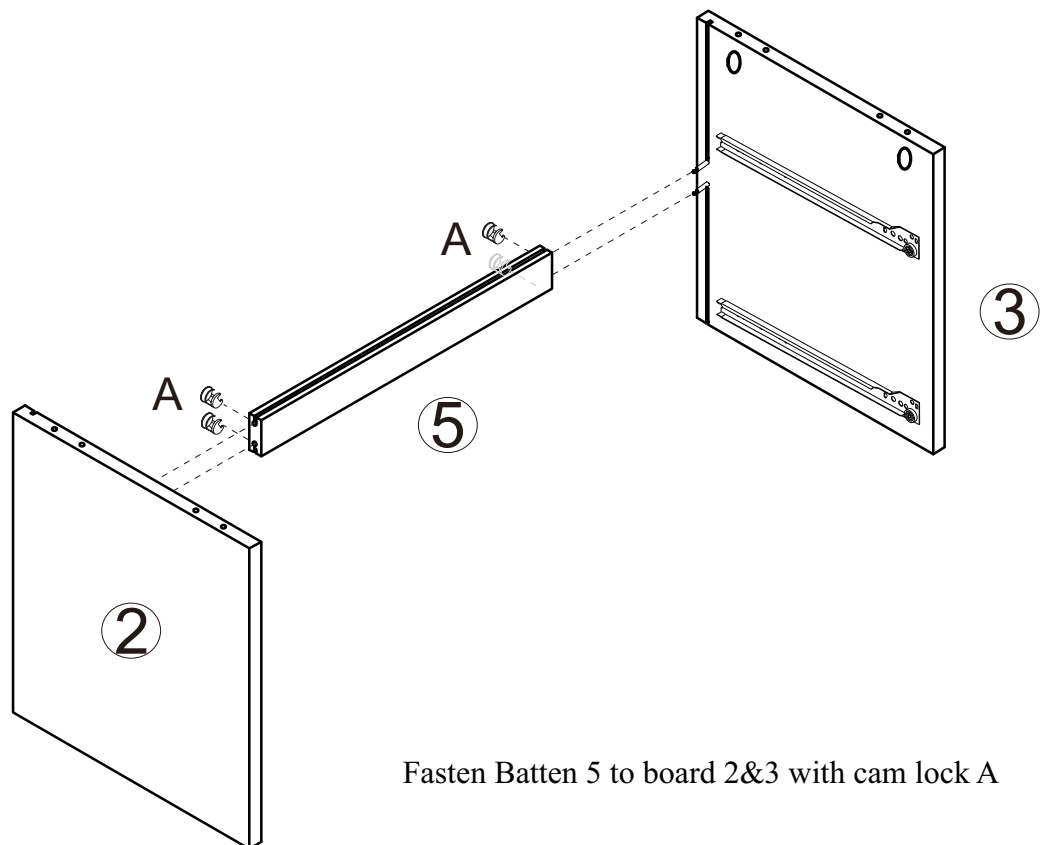
1



	Bx4
	Dx8
	CLx2
	CRx2

Screw cam bolt B into board 2&3
Fix drawer track CL to board 2 and fix CR to 3 with screw D

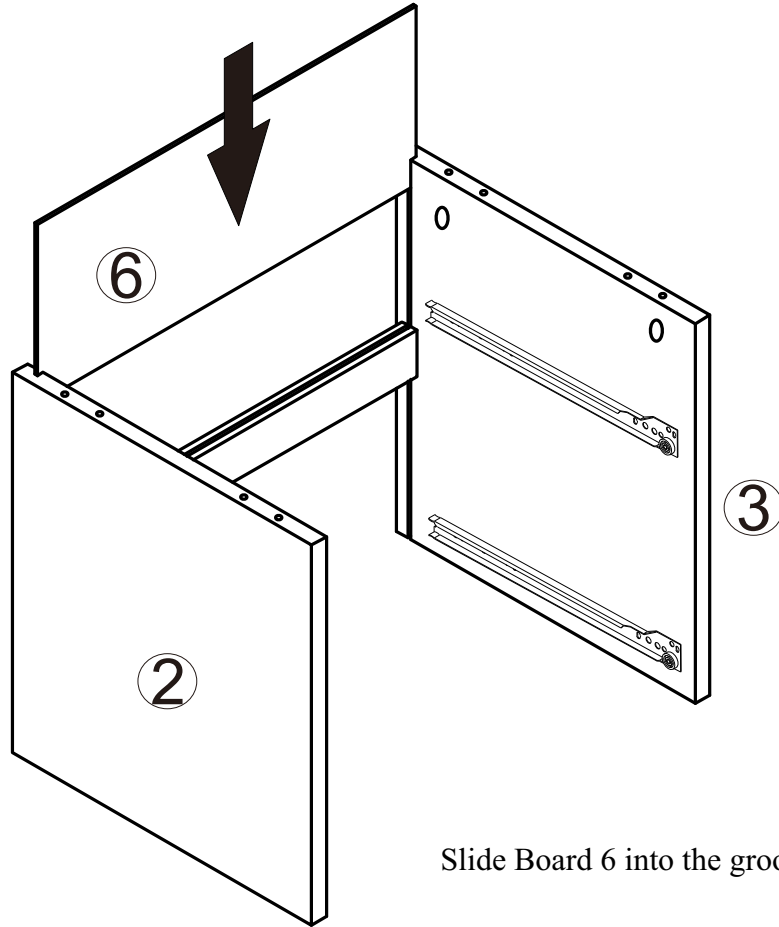
2



Fasten Batten 5 to board 2&3 with cam lock A

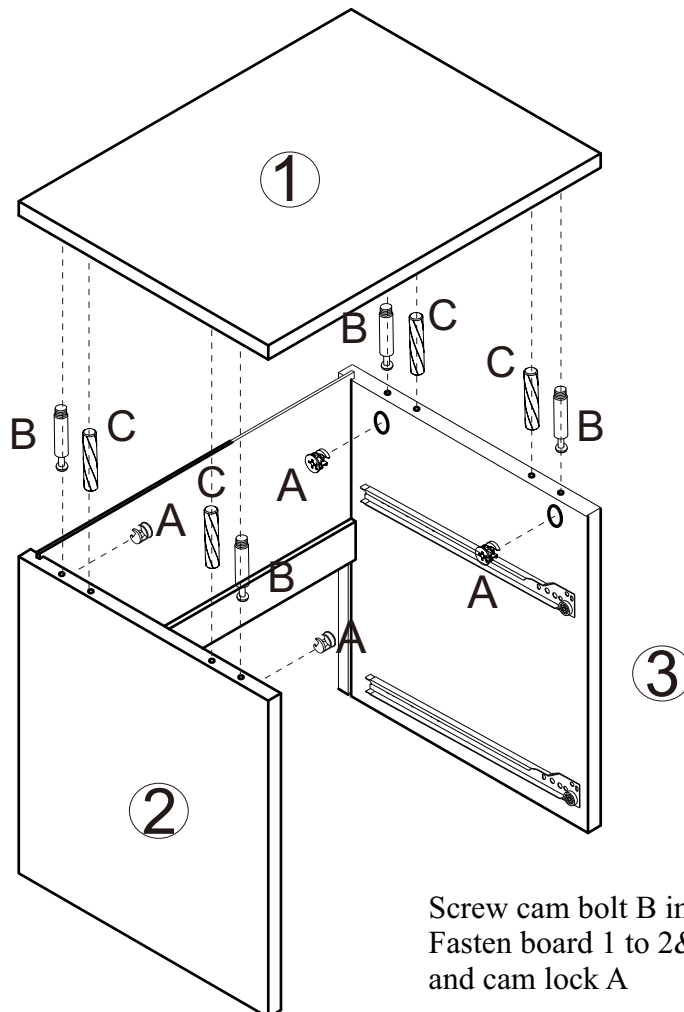
	Ax4
--	-----

3



Slide Board 6 into the grooves of 2&3&5

4



Screw cam bolt B into board 1
Fasten board 1 to 2&3 with dowel C
and cam lock A



Ax4

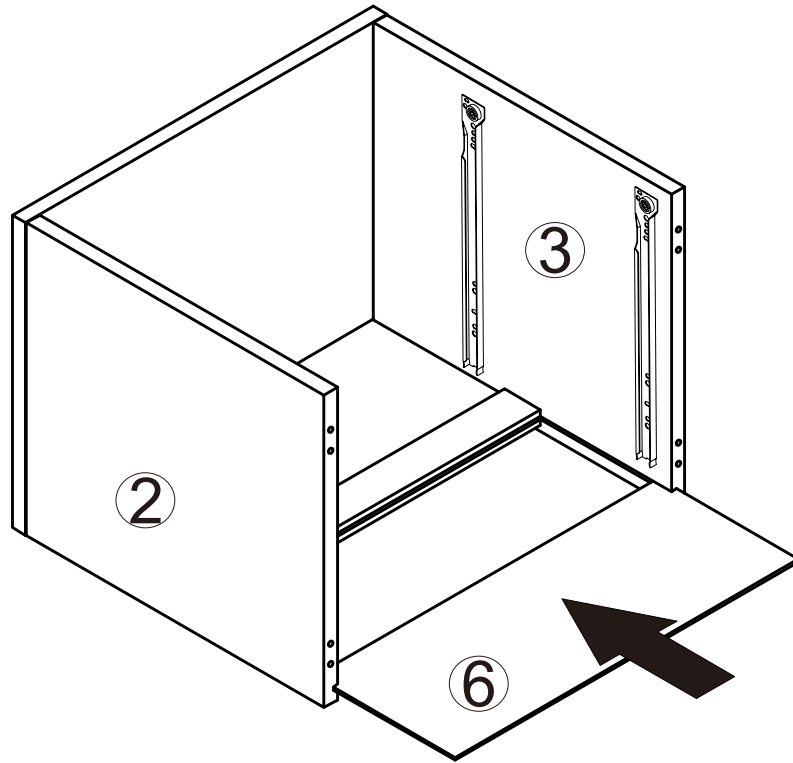


Bx4



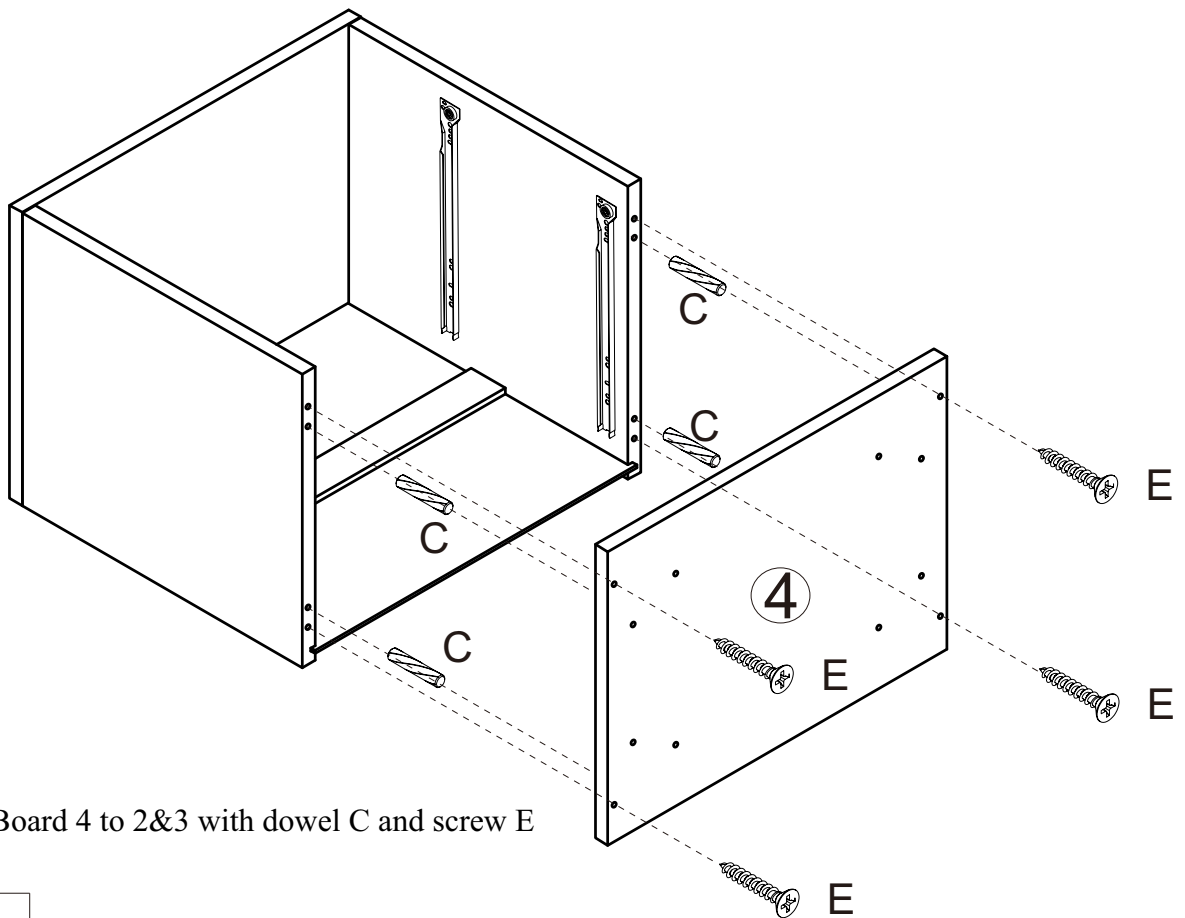
Cx4

5





Slide board 6 into the grooves of 2&3&5

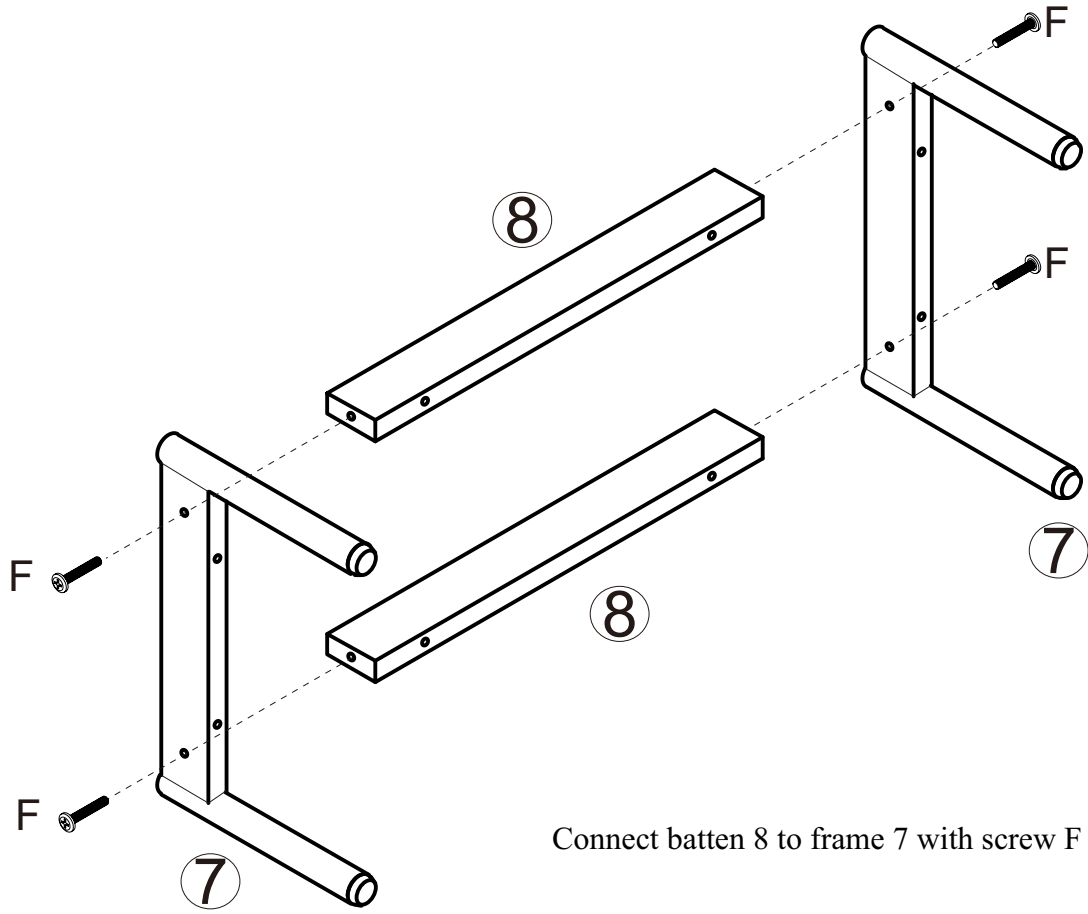
6



Fasten Board 4 to 2&3 with dowel C and screw E

	Cx4
	Ex4

7

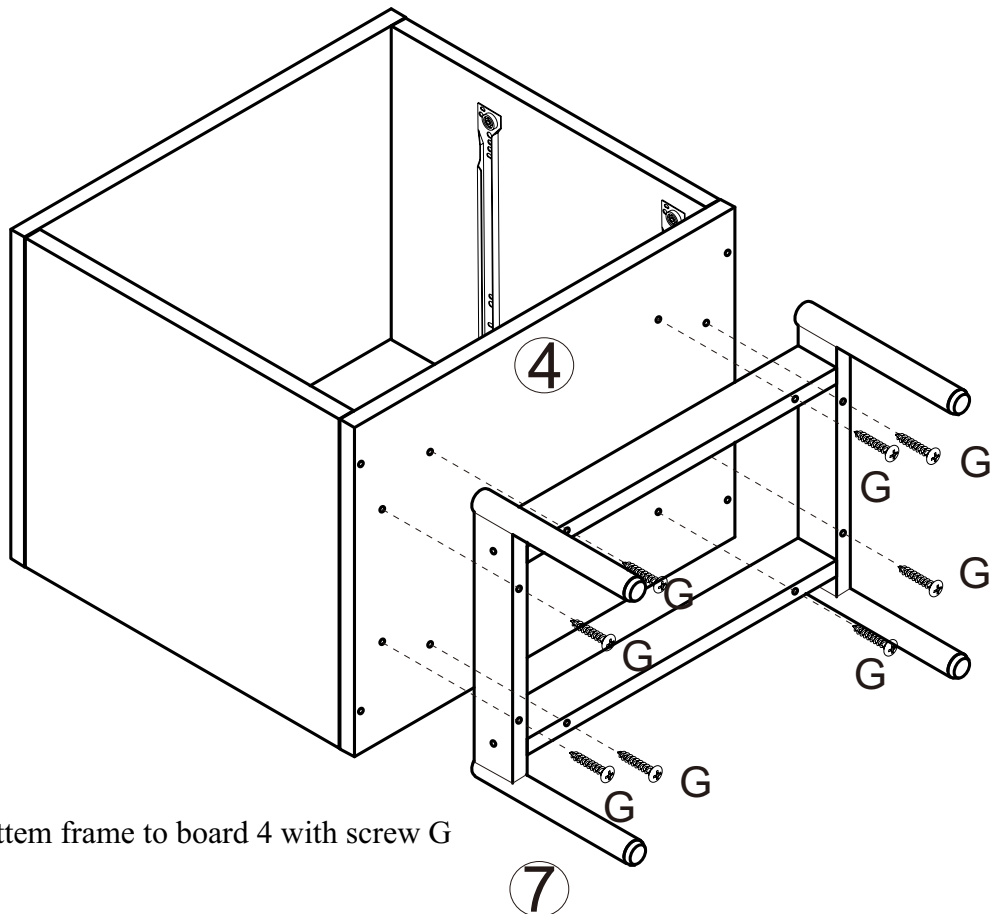


Connect batten 8 to frame 7 with screw F



Fx4

8

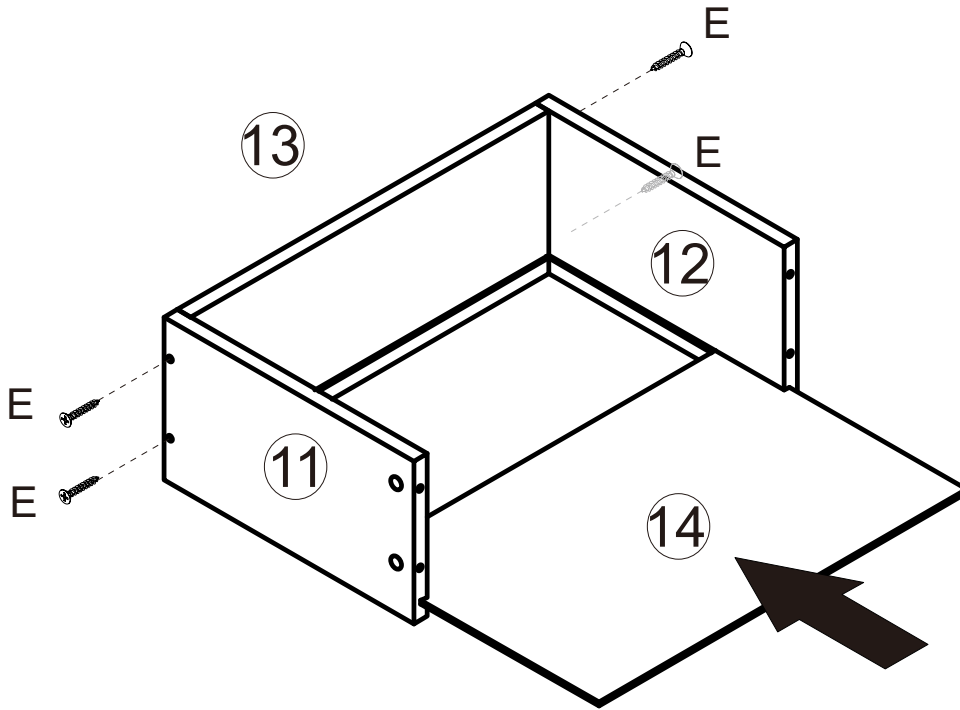


Fasten the bottom frame to board 4 with screw G



Gx8

9 x2

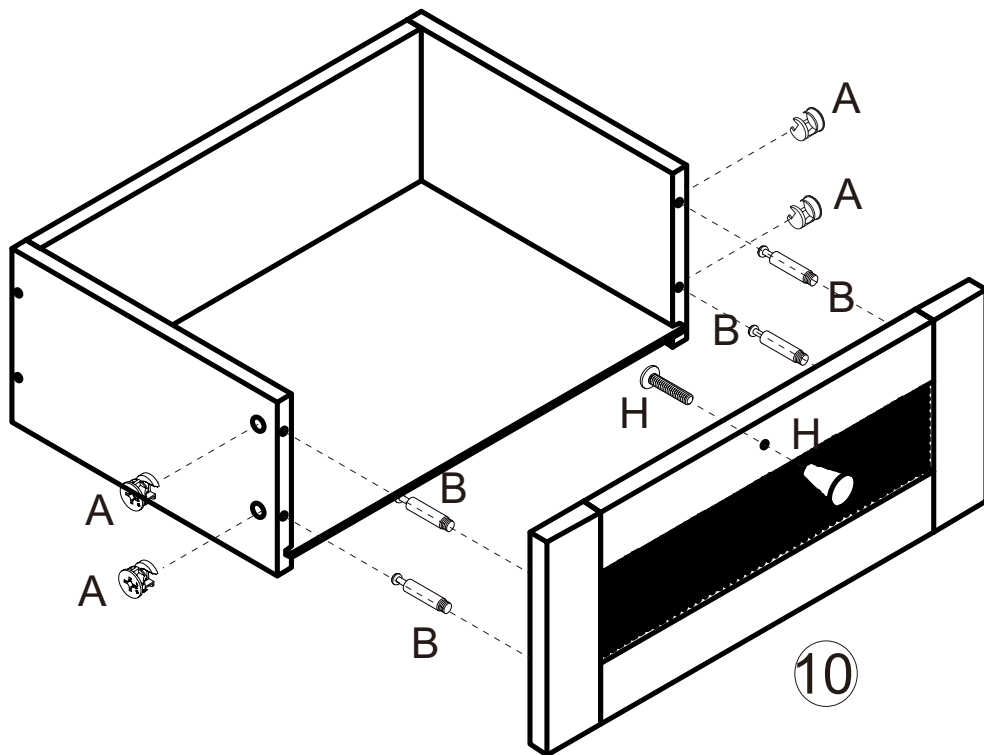


Connect board 13 to 11&12 with screw E
Slide board 14 into the grooves of 11&12&13



Ex8

10 x2



Ax8



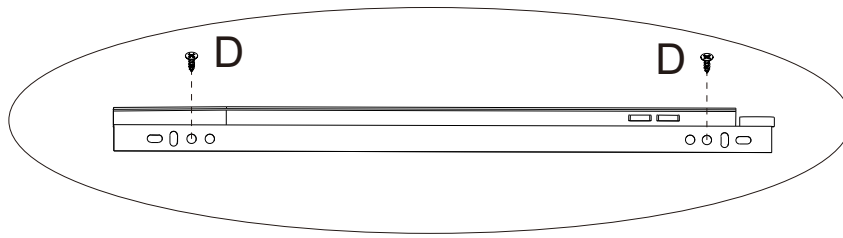
Bx8



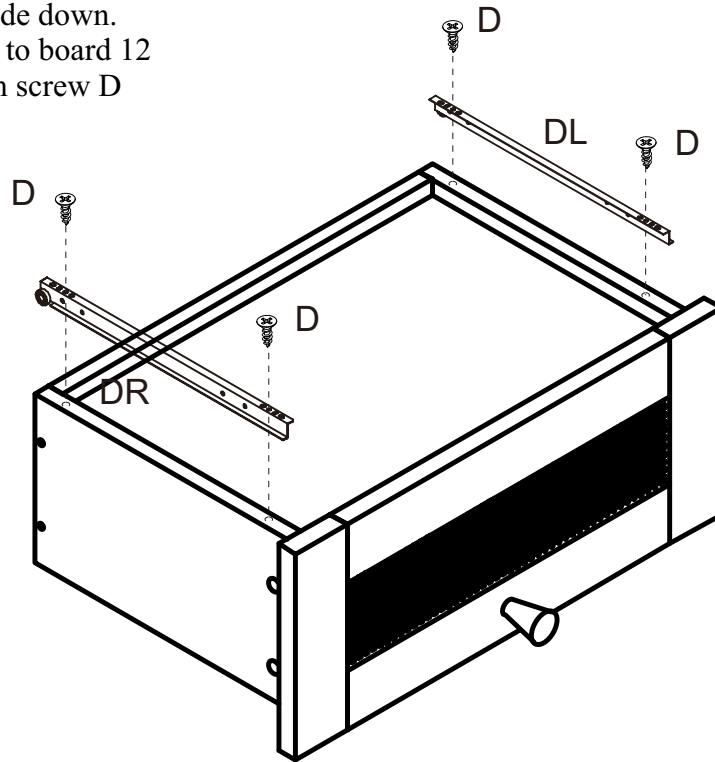
Hx2




Fix cam bolt B and handle H to board 10
Fasten board 10 to 11&12 with cam lock A

11 x2

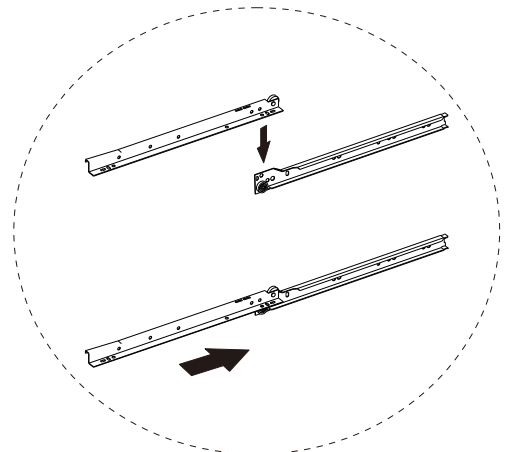
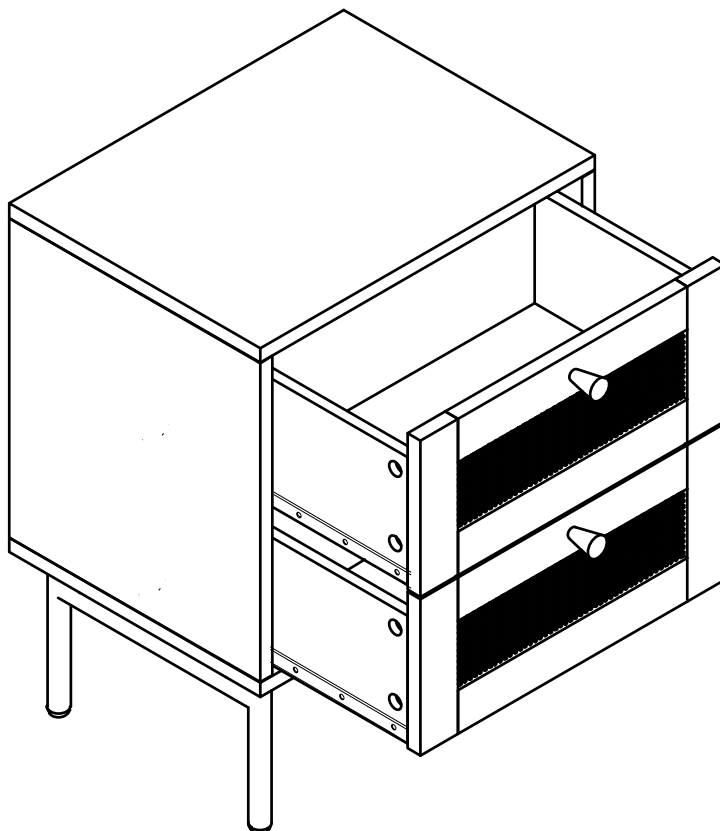


Turn the drawer upside down.
Fix drawer track DR to board 12
and fix DL to 11 with screw D



	Dx8
	DLx2
	DRx2

12



Put the drawer into the frame