








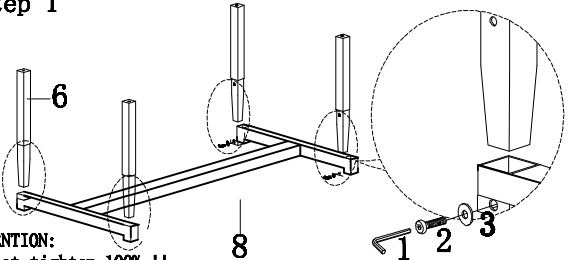
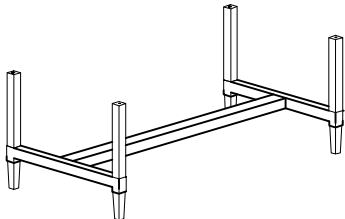
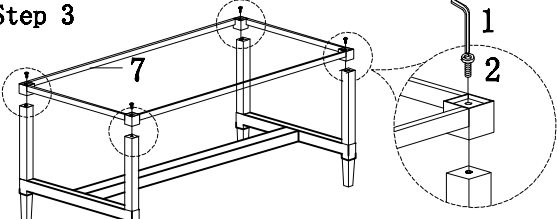
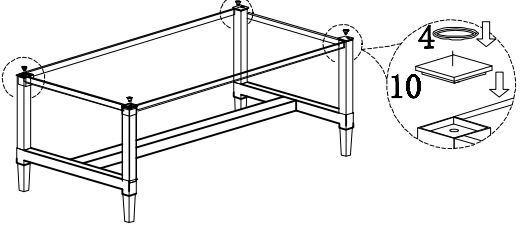
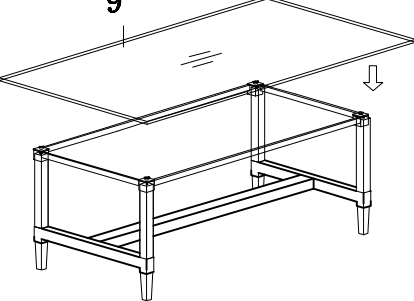
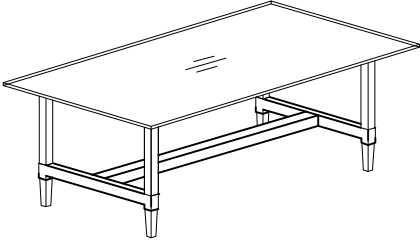


## ASSEMBLY INSTRUCTION

Thank you for purchasing this quality product. Be sure to check all packing material carefully for small parts which may have come loose inside the carton during shipment. Identify and count all parts and compare with the Parts list below:

| No. | PART  | DESCRIPTION     | Q. TY | 6  |  | Leg          | 4 |
|-----|---|-----------------|-------|----|---|--------------|---|
| 1   |  | Allen Wrench:M4 | 1     | 7  |  | Top frame    | 1 |
| 2   |  | Bolt:1/4"*5/8"  | 8     | 8  |  | Bottom frame | 1 |
| 4   |  | Antiskid Pad    | 4     | 9  |  | Top glass    | 1 |
| 3   |  | FLAT            | 4     | 10 |  | Metal cap    | 4 |

|  |   |
|--|---|
| <p><b>Step 1</b></p>  <p><b>ATTENTION:</b><br/>Do not tighten 100% !!<br/>Tighten it 100% after step3</p>  | <p><b>Step 2</b></p>                     |
| <p><b>Step 3</b></p>  <p><b>ATTENTION:</b><br/>Do not tighten 100% !!<br/>Tighten it 100% after step3</p> | <p><b>Step 4</b></p>                    |
| <p><b>Step 5</b></p>    | <p><b>Step 6</b><br/><b>Finish</b></p>  |

### ASSEMBLY INSTRUCTION

- 1) Carefully unwrap the furniture and place all parts on a clean soft blanket.
- 2) Using Bolt(2), Allen Wrench(1) to assembly Leg(6) and Bottom frame(8) as step 1.
- 3) Using Pad(5) to the Bottom frame(8), then put the Bottom glass (9) as step 2.
- 4) Using Allen Wrench(1) and Bolt(2) to fasten the Top frame as step3.
- 5) Using Antiskid Pad(4) and Metal Cap(11) to the Top frame as step4.
- 6) Put the Top glass(10) to the Top frame(7) as step5.
- 7) Enjoy your table for a long time to come.