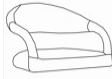



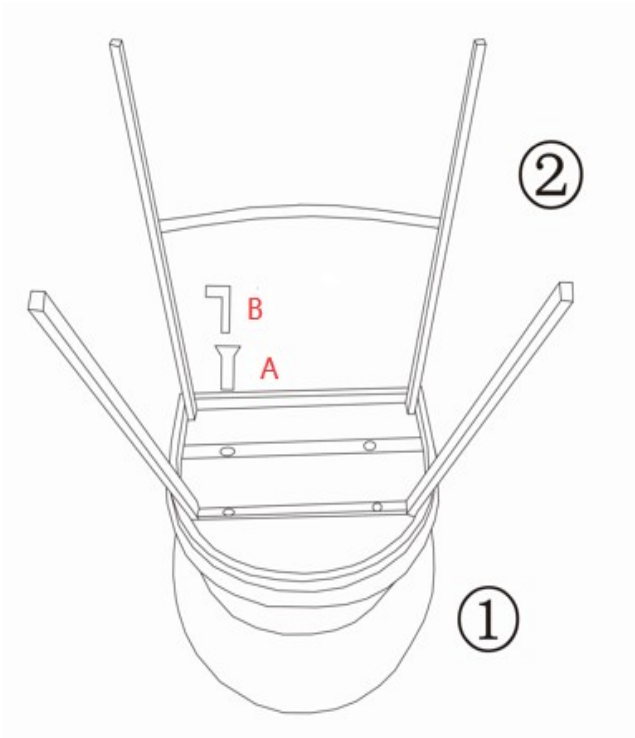


## Product Assembly Instructions BARSTOOL

Helpers needed to assemble: 2  
Estimate time frame to assemble: 20 minutes

- Step 1:** Aligen the frame(2) onto the bottom of seat (1).
- Step 2:** Put the bolts(A) through holes of frame and swivel.
- Step 3:** Use allen key (D) to afix the bolt until tighten.

#	Picture	Description	Quantity
1		Seat	1
2		Frame	1
A		Bolts(M6x35)	4
B		Allen Key	1



- Step 4:** Test the barstool is firmly on the ground and the seat does not wiggle.
- Step 5:** Sit and enjoy your new barstool.

**\* Keep the Allen Key and Tighten all screws each 3 months for safety concern!**