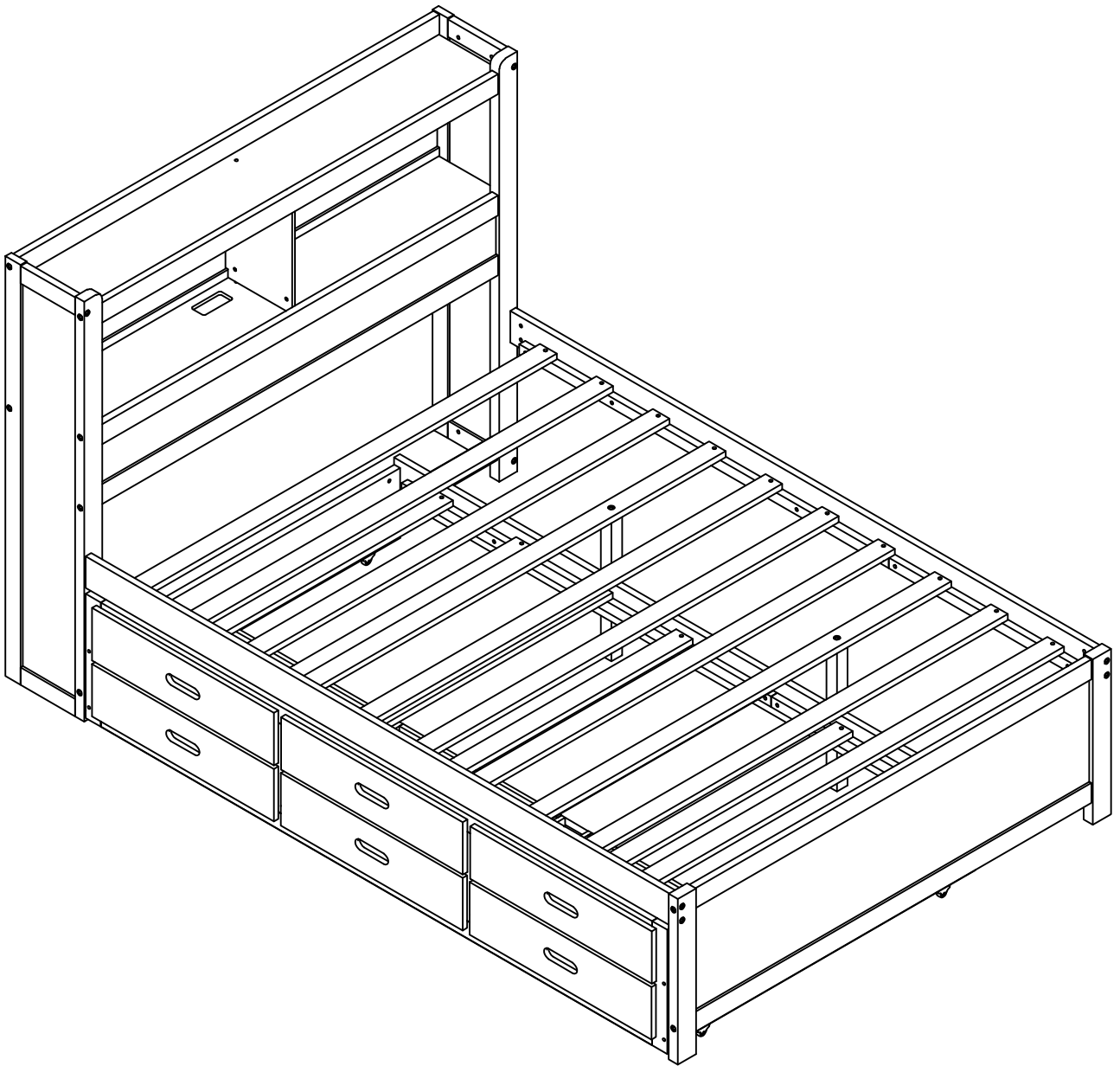
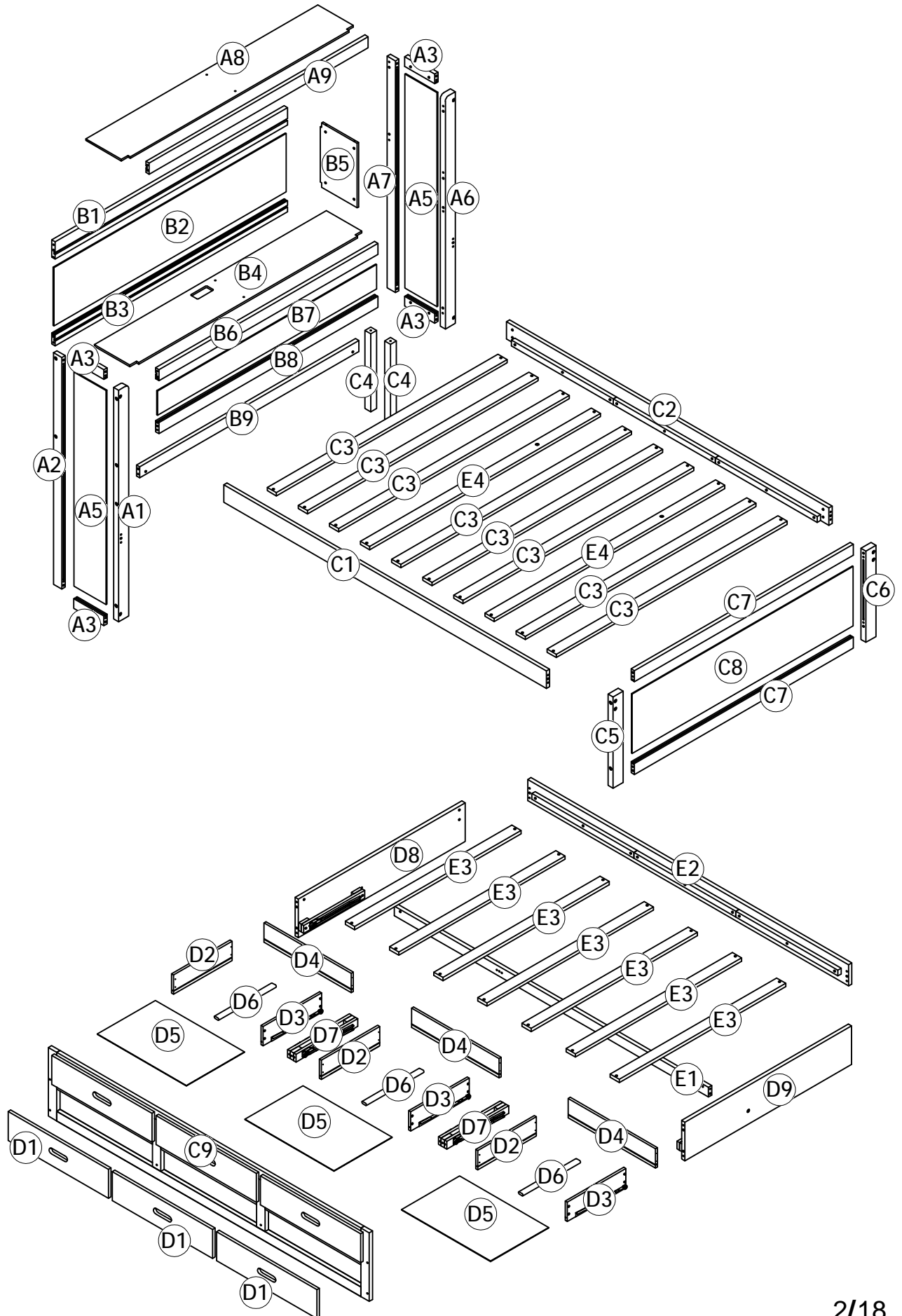







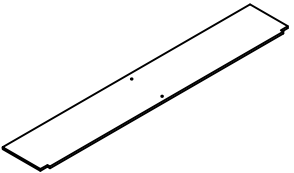
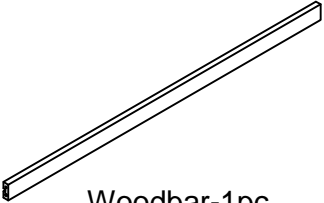

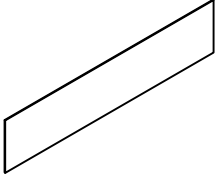
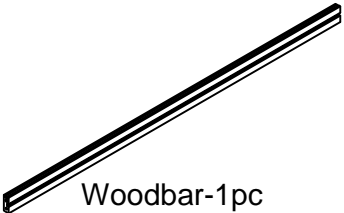
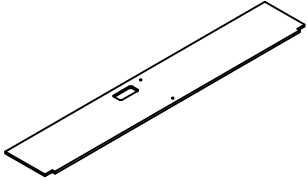
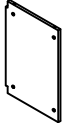
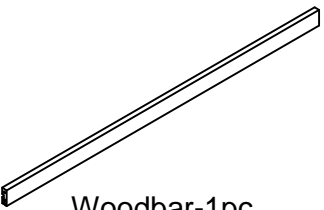
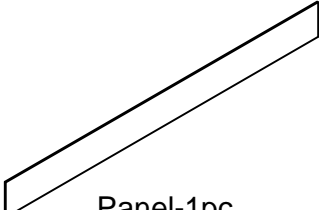
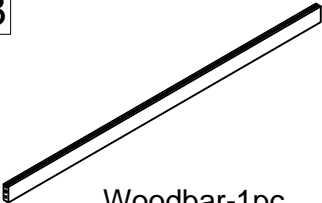
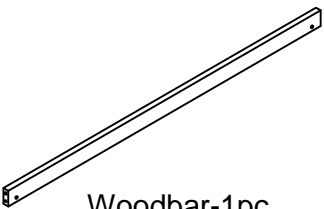


# ASSEMBLY INSTRUCTION



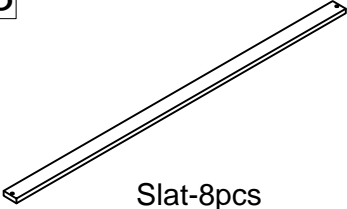

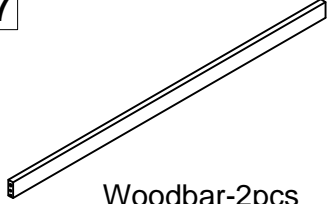
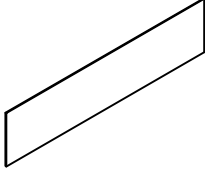
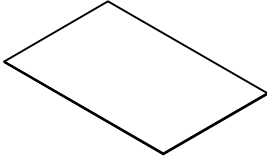
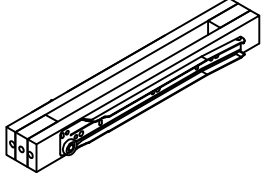
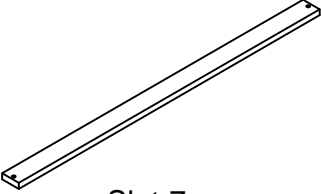
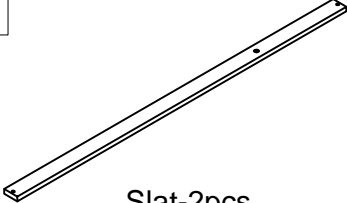
# ASSEMBLY INSTRUCTION



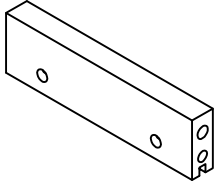


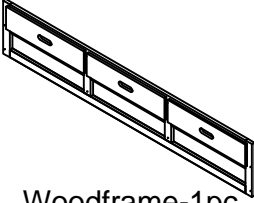
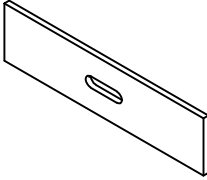
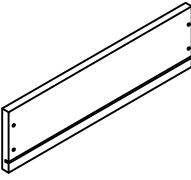
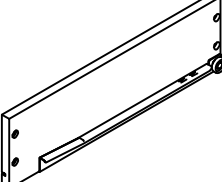
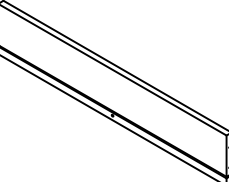
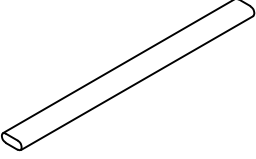
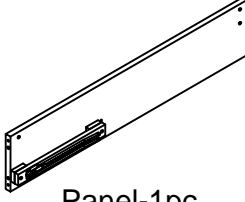
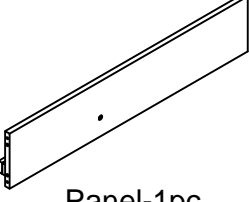

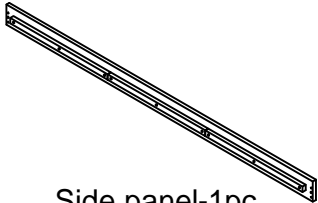
# Part List (Box 1)

|   |  |  |
|---|--|--|
| <b>A1</b><br><br>Woodleg-1pc   | <b>A2</b><br><br>Woodleg-1pc        | <b>A5</b><br><br>Panel-2pcs       |
| <b>A6</b><br><br>Woodleg-1pc   | <b>A7</b><br><br>Woodleg-1pc        | <b>A8</b><br><br>Panel-1pc        |
| <b>A9</b><br><br>Woodbar-1pc   | <b>B1</b><br><br>Woodbar-1pc        | <b>B2</b><br><br>Panel-1pc        |
| <b>B3</b><br><br>Woodbar-1pc | <b>B4</b><br><br>Panel-1pc        | <b>B5</b><br><br>Panel-1pc      |
| <b>B6</b><br><br>Woodbar-1pc | <b>B7</b><br><br>Panel-1pc        | <b>B8</b><br><br>Woodbar-1pc    |
| <b>B9</b><br><br>Woodbar-1pc | <b>C1</b><br><br>Side panel - 1pc | <b>C2</b><br><br>Side panel-1pc |

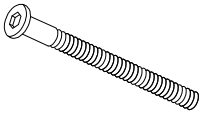
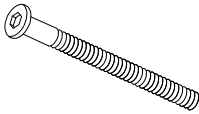

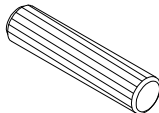
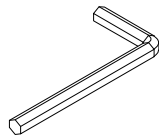
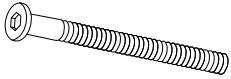
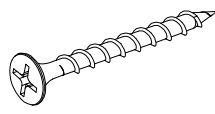
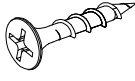
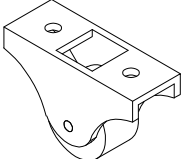
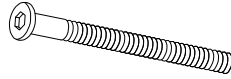
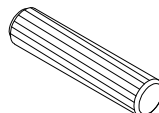
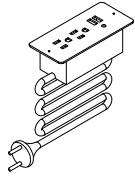
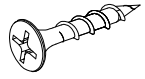
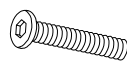
# Part List (Box 1)

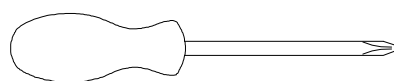
|   |   |  |
|---|---|--|
| <p><b>C3</b></p>  <p>Slat-8pcs</p> | <p><b>C4</b></p>  <p>Wood leg-2pcs</p> | <p><b>C7</b></p>  <p>Woodbar-2pcs</p>   |
| <p><b>C8</b></p>  <p>Panel-1pc</p> | <p><b>D5</b></p>  <p>Panel-3pcs</p>    | <p><b>D7</b></p>  <p>Woodframe-2pcs</p> |
| <p><b>E3</b></p>  <p>Slat-7pcs</p> | <p><b>E4</b></p>  <p>Slat-2pcs</p>     |  |

# Part List & Hardware (Box 2)

|  |  |   |
|--|--|---|
| <p><b>A3</b></p>  <p>Woodbar-4pcs</p>     | <p><b>C5</b></p>  <p>Wood leg-1pc</p> | <p><b>C6</b></p>  <p>Woodleg-1pc</p>   |
| <p><b>C9</b></p>  <p>Woodframe-1pc</p>    | <p><b>D1</b></p>  <p>Panel-3pcs</p>   | <p><b>D2</b></p>  <p>Panel-3pcs</p>    |
| <p><b>D3</b></p>  <p>Panel-3pcs</p>       | <p><b>D4</b></p>  <p>Panel-3pcs</p>   | <p><b>D6</b></p>  <p>Woodbar-3pcs</p>  |
| <p><b>D8</b></p>  <p>Panel-1pc</p>      | <p><b>D9</b></p>  <p>Panel-1pc</p>  | <p><b>E1</b></p>  <p>Woodbar-1pc</p> |
| <p><b>E2</b></p>  <p>Side panel-1pc</p> |  |   |

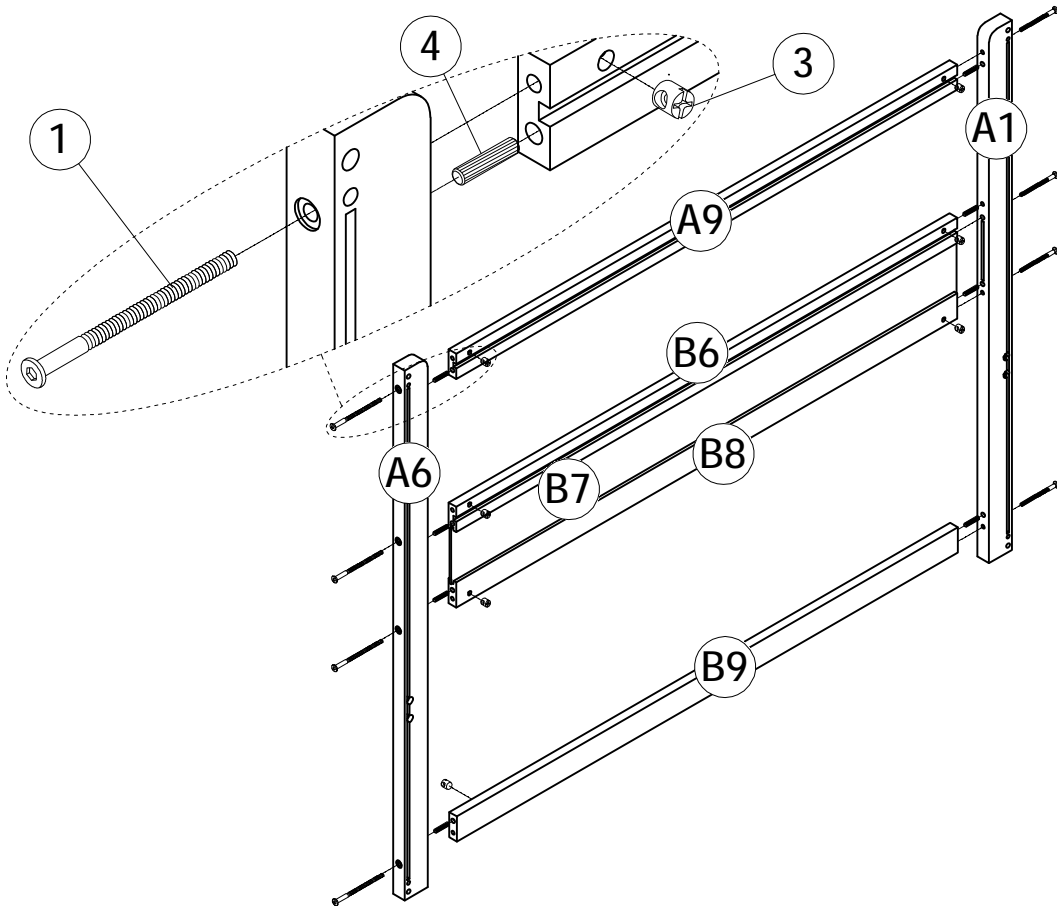
# Hardware List (Box 2)

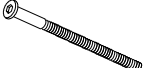

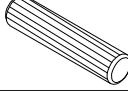
|  |   |  |
|--|---|--|
| <p><b>1</b></p>  <p>Ø1/4" x 100 mm<br/>Hex-Head bolts 16pcs</p>   | <p><b>2</b></p>  <p>Ø1/4" x 70 mm<br/>Hex-Head bolts 16pcs</p>   | <p><b>3</b></p>  <p>Ø1/4" x 12 mm<br/>Horizontal-Hole bolts 46pcs</p> |
| <p><b>4</b></p>  <p>Ø10 x 40 mm<br/>Wood dowel 28pcs</p>          | <p><b>5</b></p>  <p>Allen Key 1pc</p>                            | <p><b>6</b></p>  <p>Ø1/4" x 50 mm<br/>Hex-Head bolts 4pcs</p>         |
| <p><b>7</b></p>  <p>M4 x 30 mm<br/>Wood Screws 61pcs</p>          | <p><b>8</b></p>  <p>M3.5 x 15 mm<br/>Wood Screws 8pcs</p>        | <p><b>9</b></p>  <p>Wheels 4pcs</p>                                   |
| <p><b>10</b></p>  <p>Ø1/4" x 60 mm<br/>Hex-Head bolts 10pcs</p> | <p><b>11</b></p>  <p>Ø8 x 30 mm<br/>Wood dowel 16pcs</p>       | <p><b>12</b></p>  <p>USB 1pc</p>                                    |
| <p><b>13</b></p>  <p>M3 x 12 mm<br/>Wood Screws 2pcs</p>        | <p><b>14</b></p>  <p>Ø1/4" x 30 mm<br/>Hex-Head bolts 6pcs</p> |  |



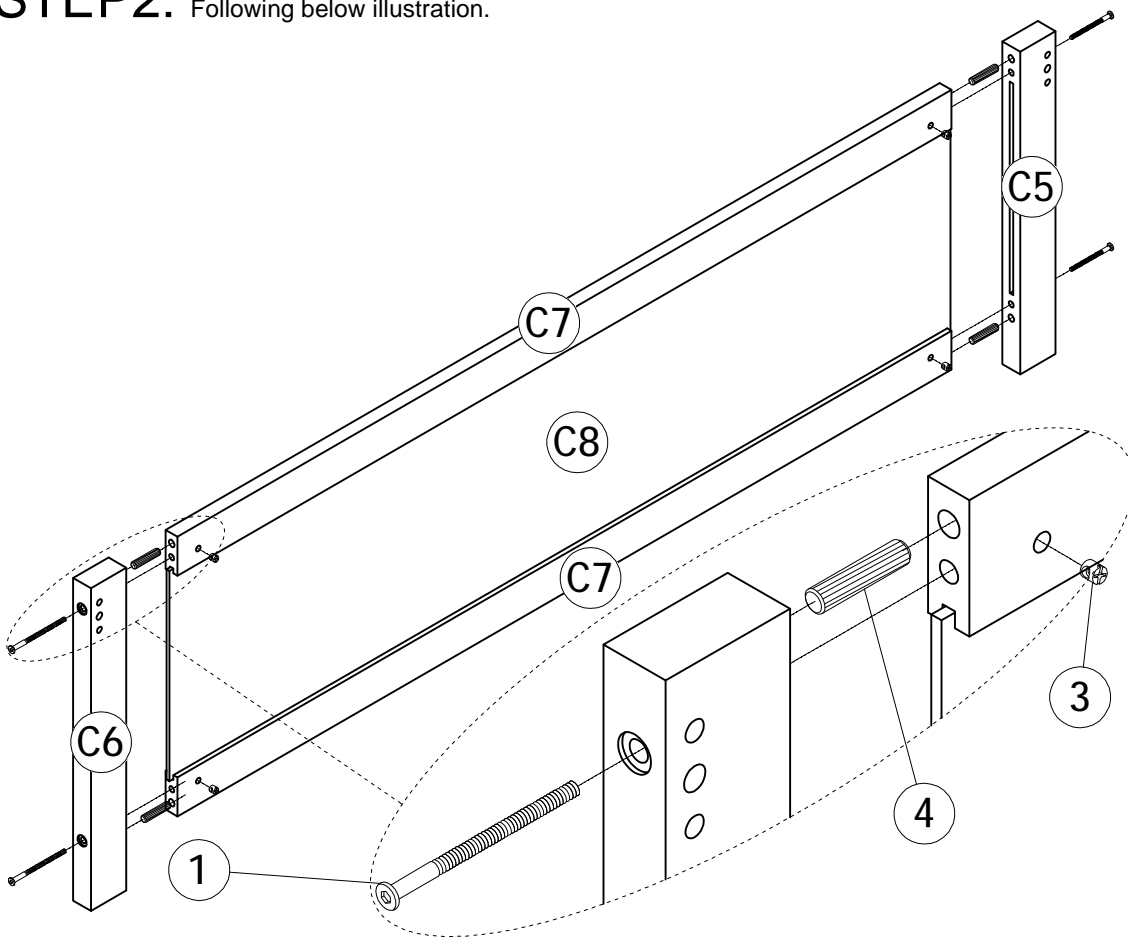
**Assembly Tools Required (Not Included)**



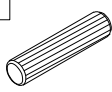
**STEP1:** Following below illustration.



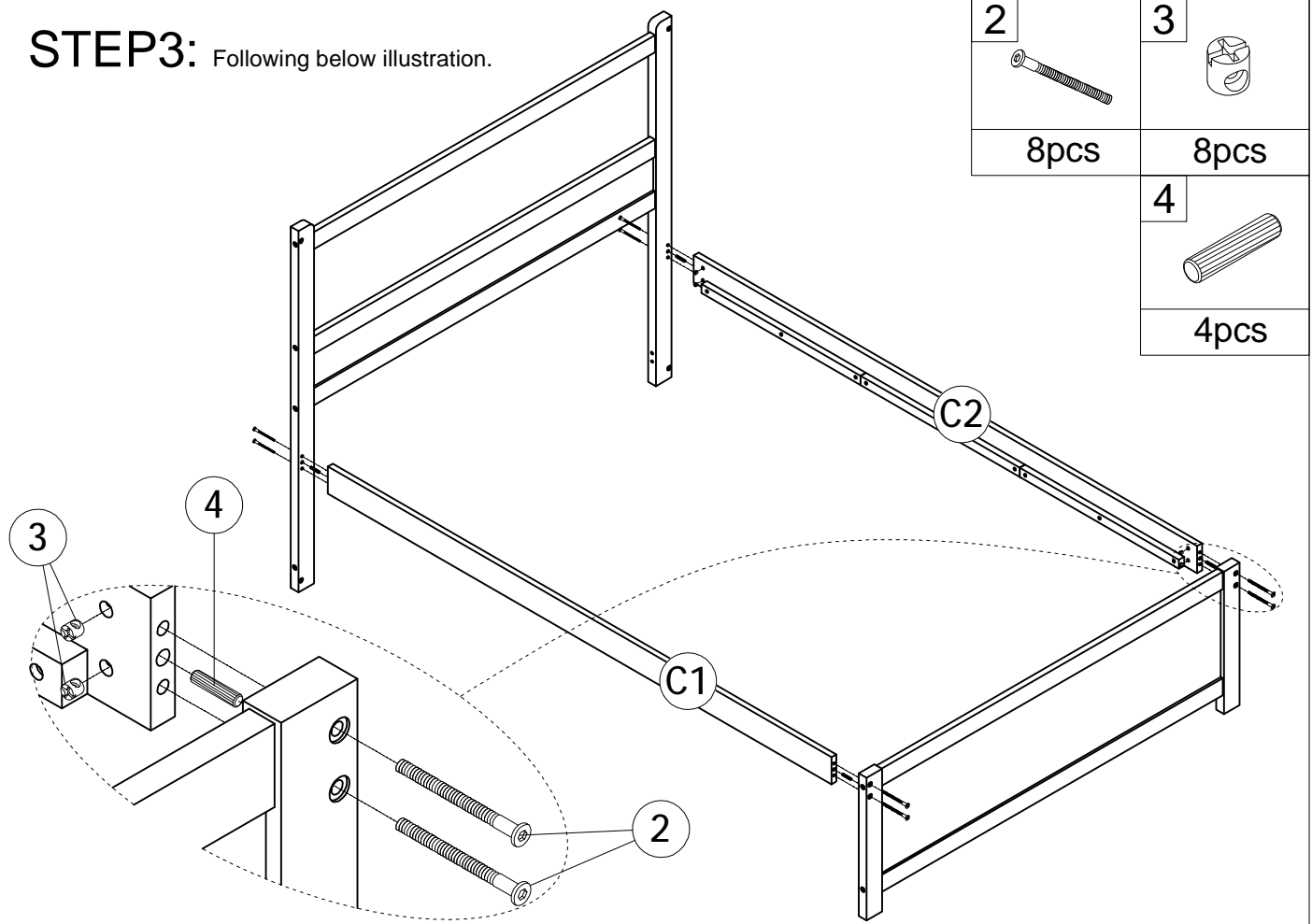
|   |   |
|---|---|
| 1 |  |
|   | 8pcs  |
| 3 |  |
|   | 8pcs  |
| 4 |  |
|   | 8pcs  |

**STEP2:** Following below illustration.

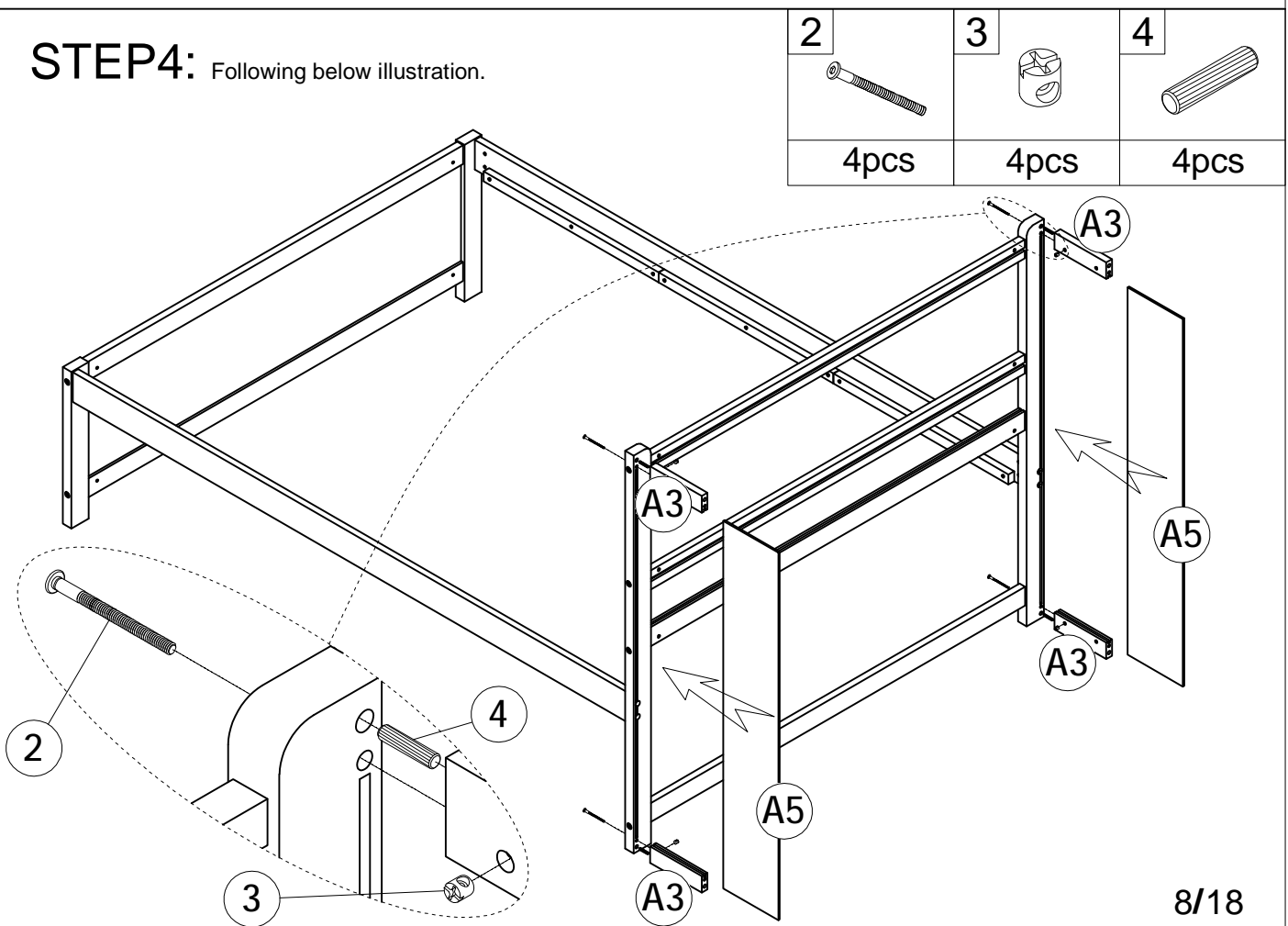


|   |   |
|---|---|
| 1 |  |
|   | 4pcs  |
| 3 |  |
|   | 4pcs  |
| 4 |  |
|   | 4pcs  |

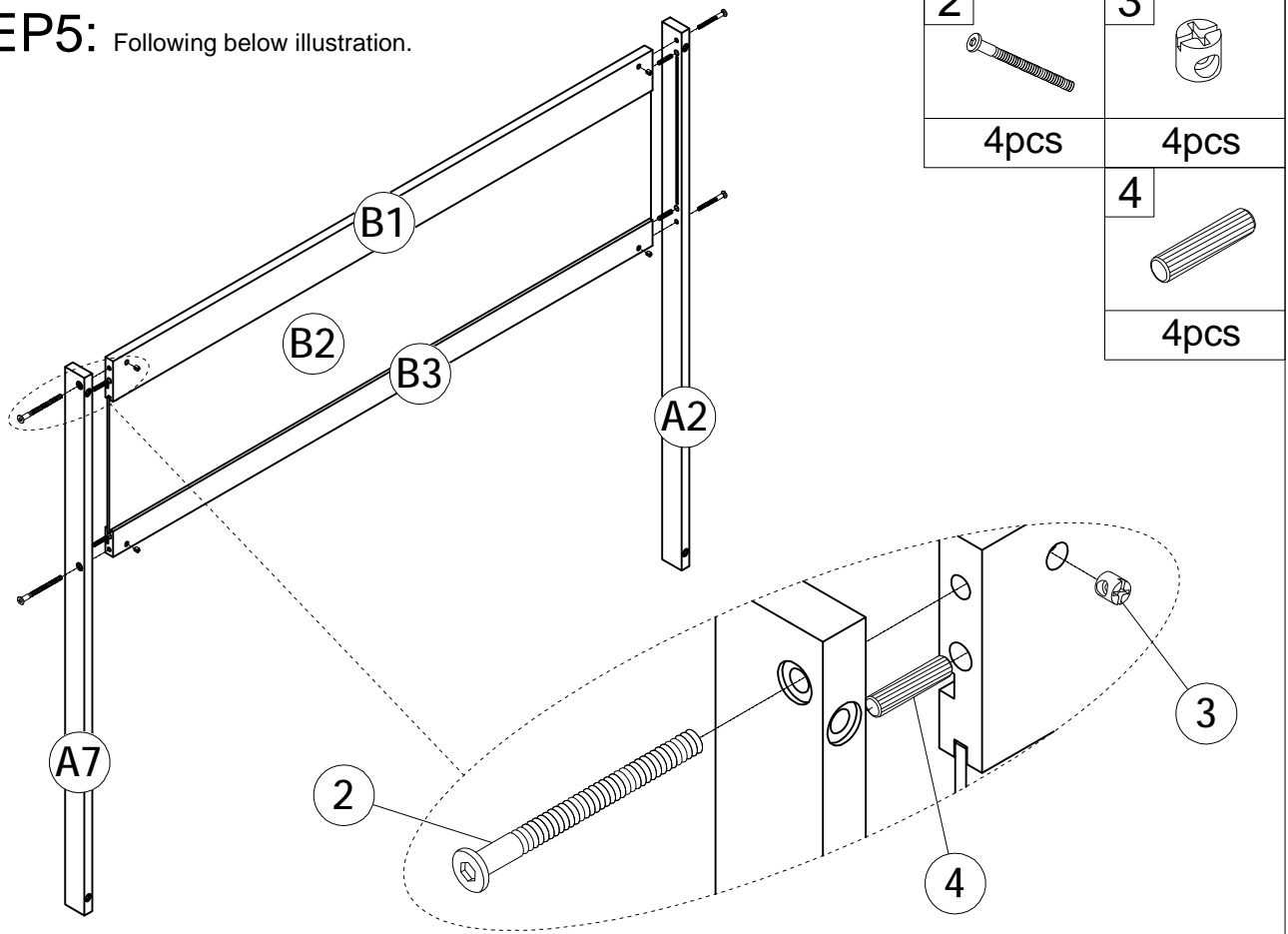
**STEP3:** Following below illustration.



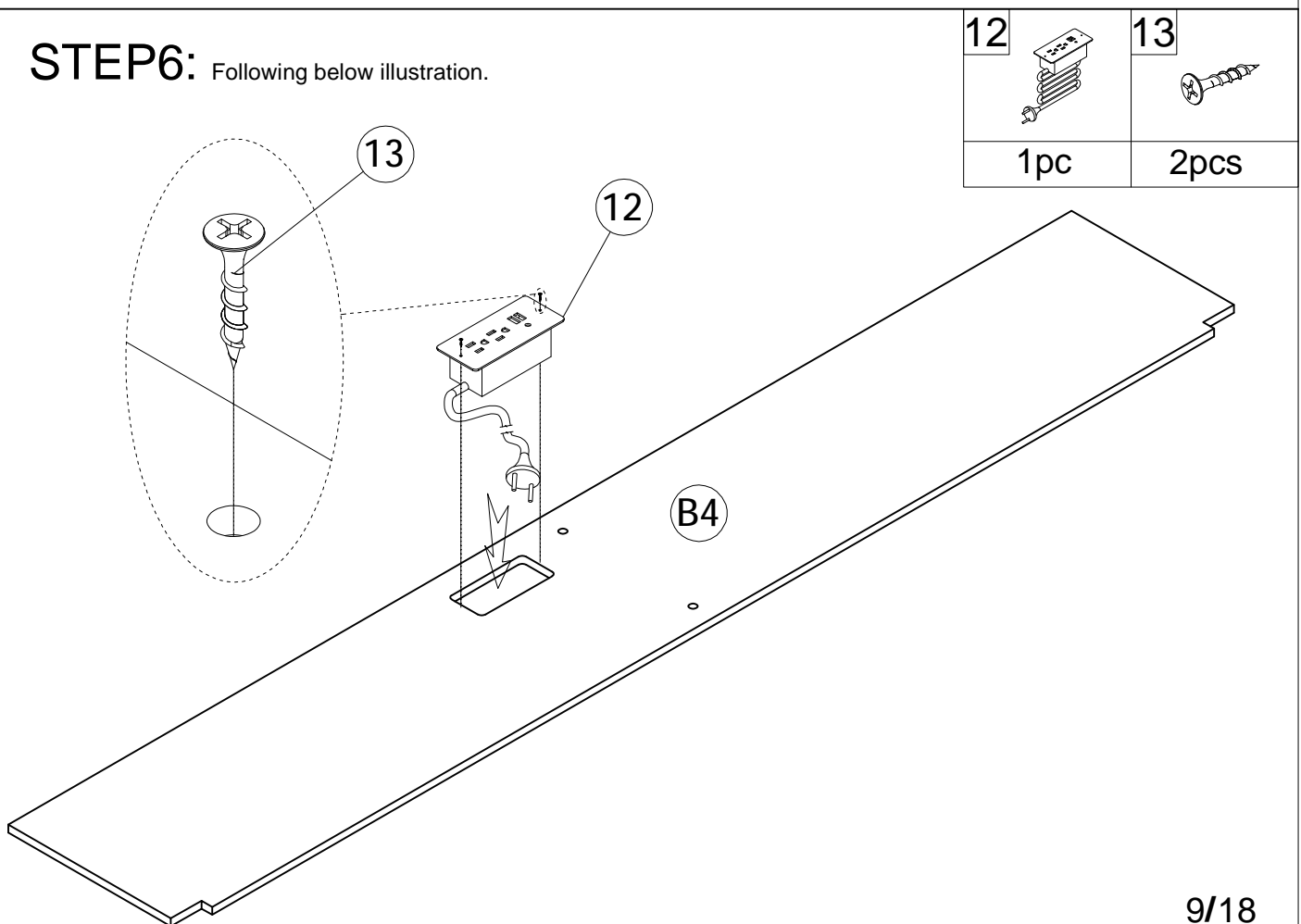
**STEP4:** Following below illustration.



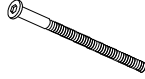

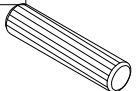
**STEP5:** Following below illustration.

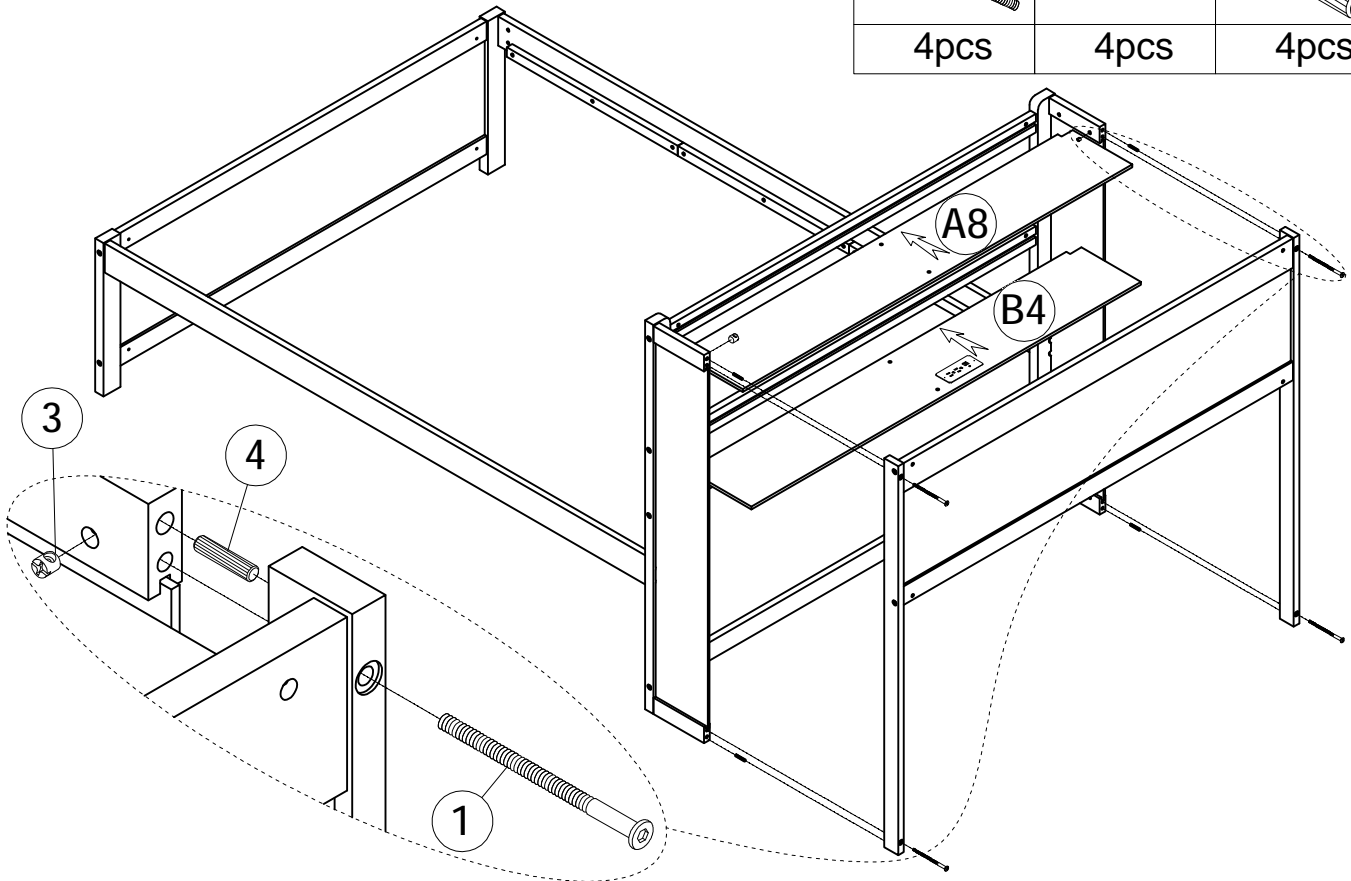


**STEP6:** Following below illustration.





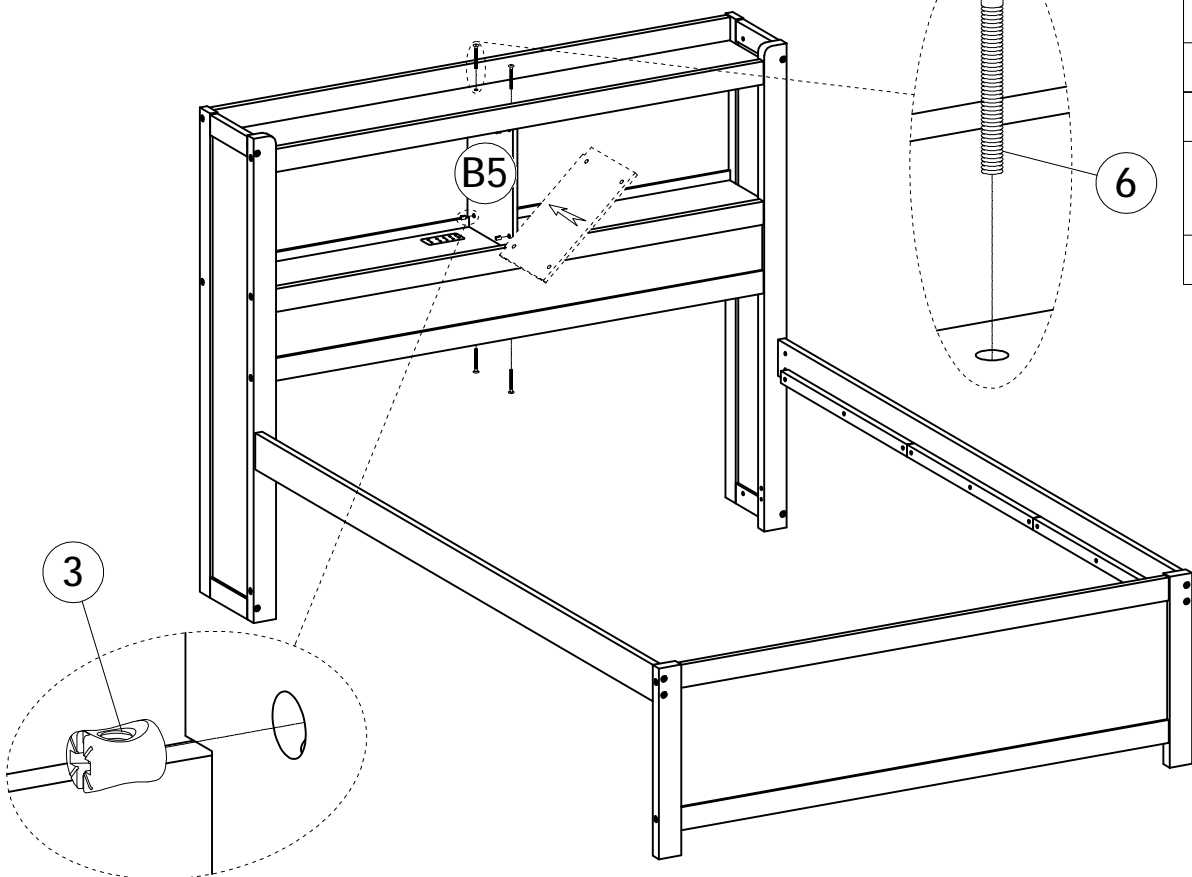
**STEP7:** Following below illustration.

|  |   |   |
|--|---|---|
| 1  | 3   | 4   |
|  |  |  |
| 4pcs   | 4pcs  | 4pcs  |



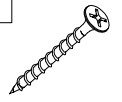
**STEP8:** Following below illustration.

|   |
|---|
| 6   |
|  |
| 4pcs  |
| 3   |
|  |
| 4pcs  |

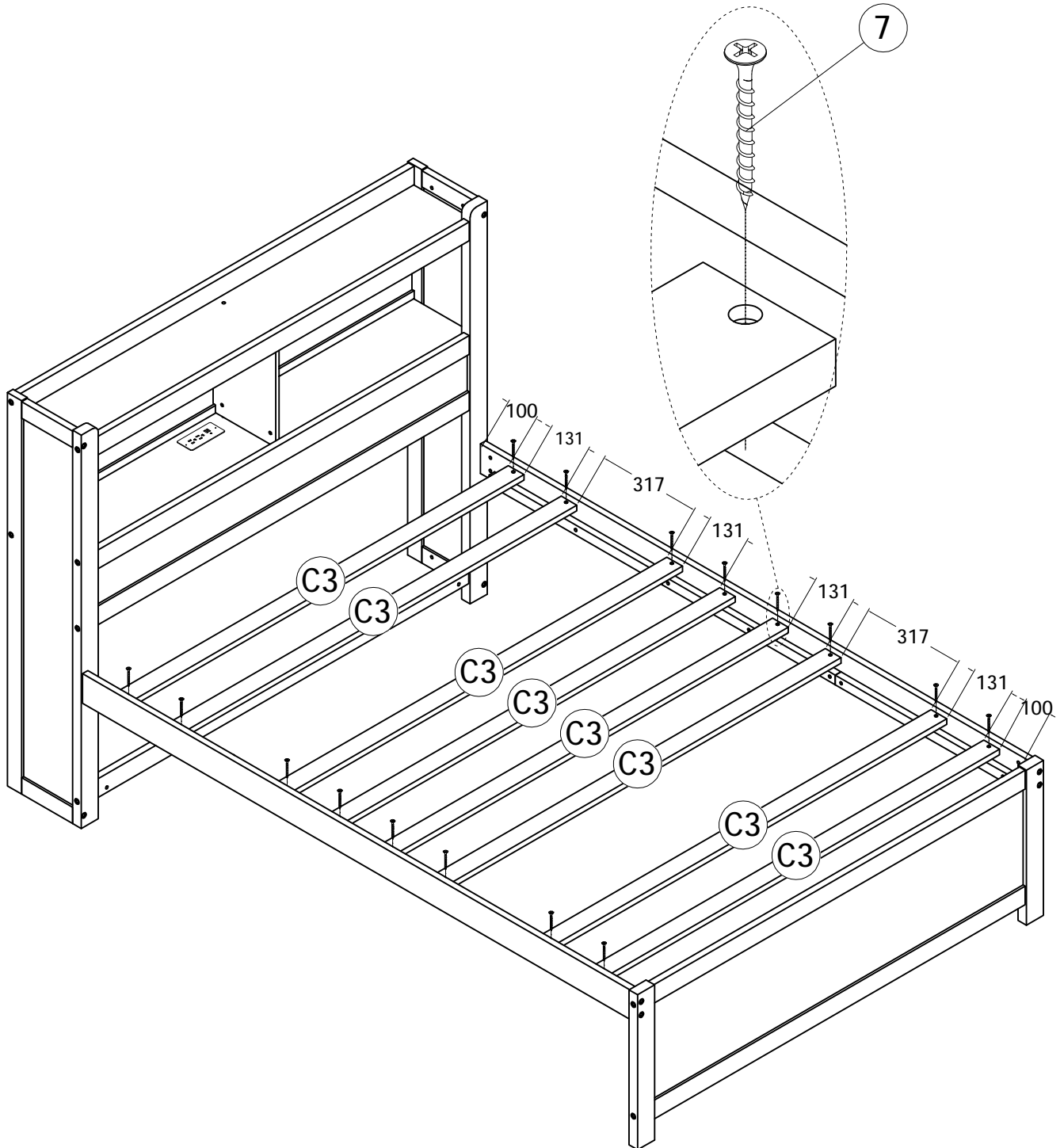


**STEP9:** Following below illustration.

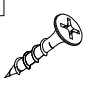
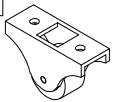
7

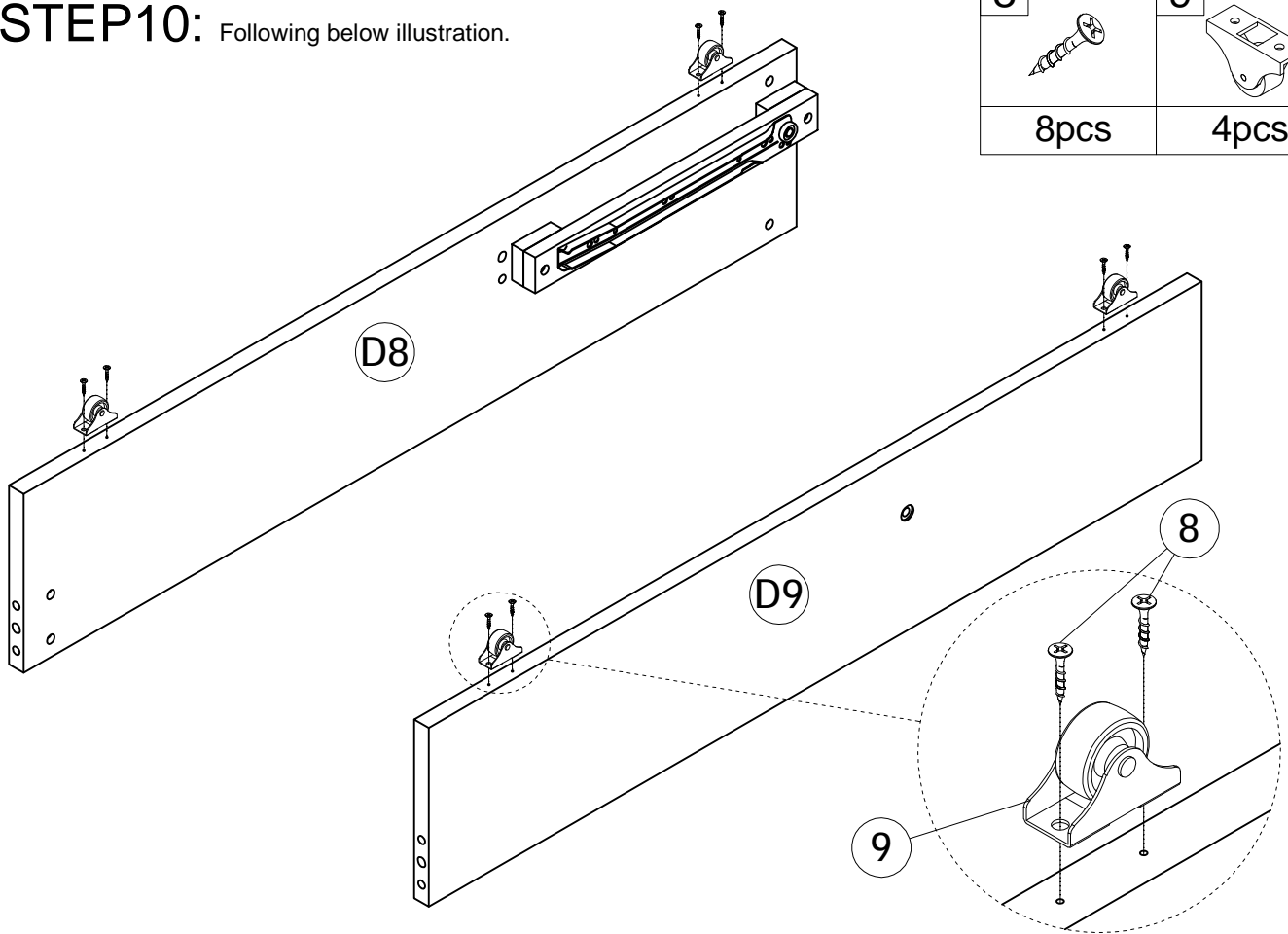


16pcs



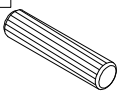


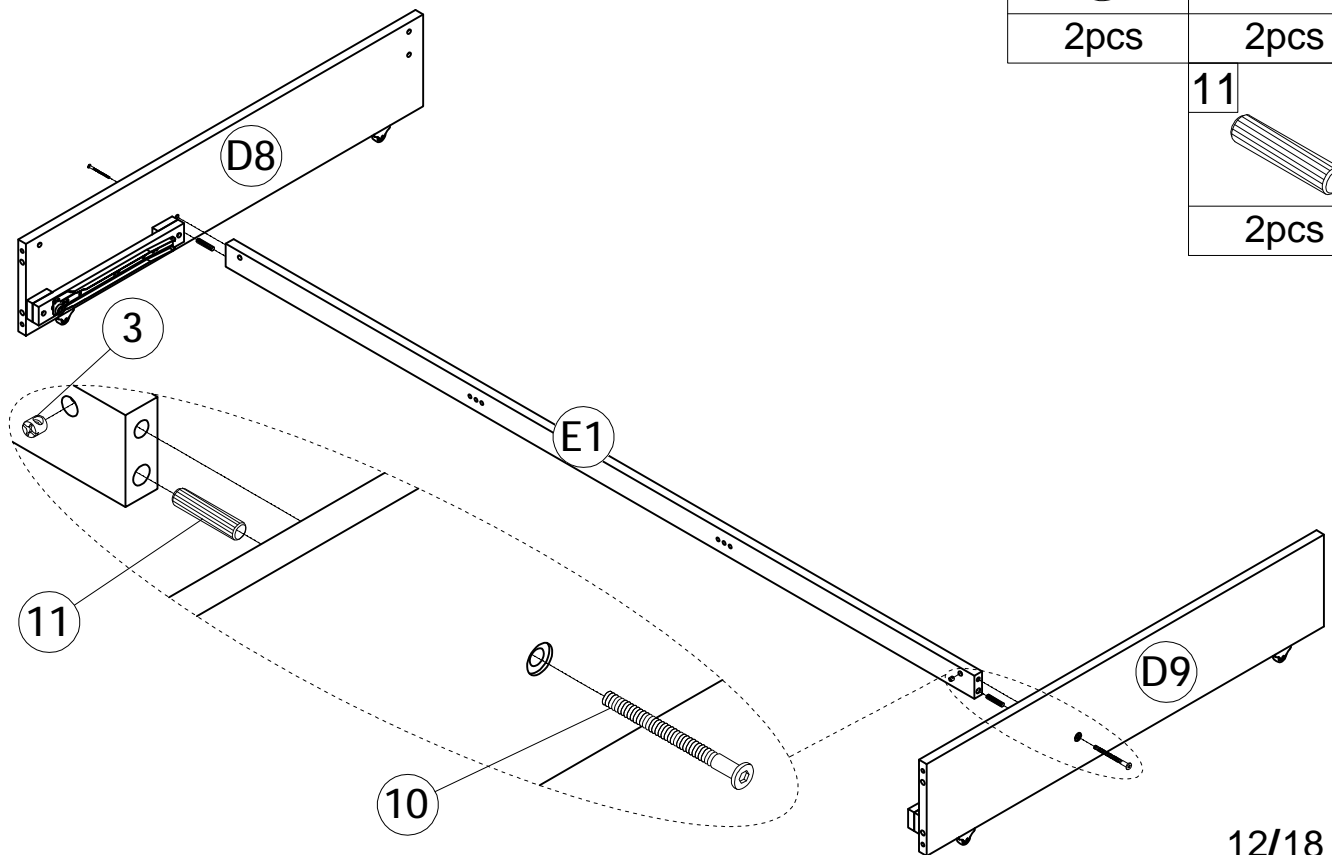
**STEP10:** Following below illustration.

|  |  |
|--|--|
| 8<br> | 9<br> |
| 8pcs   | 4pcs   |







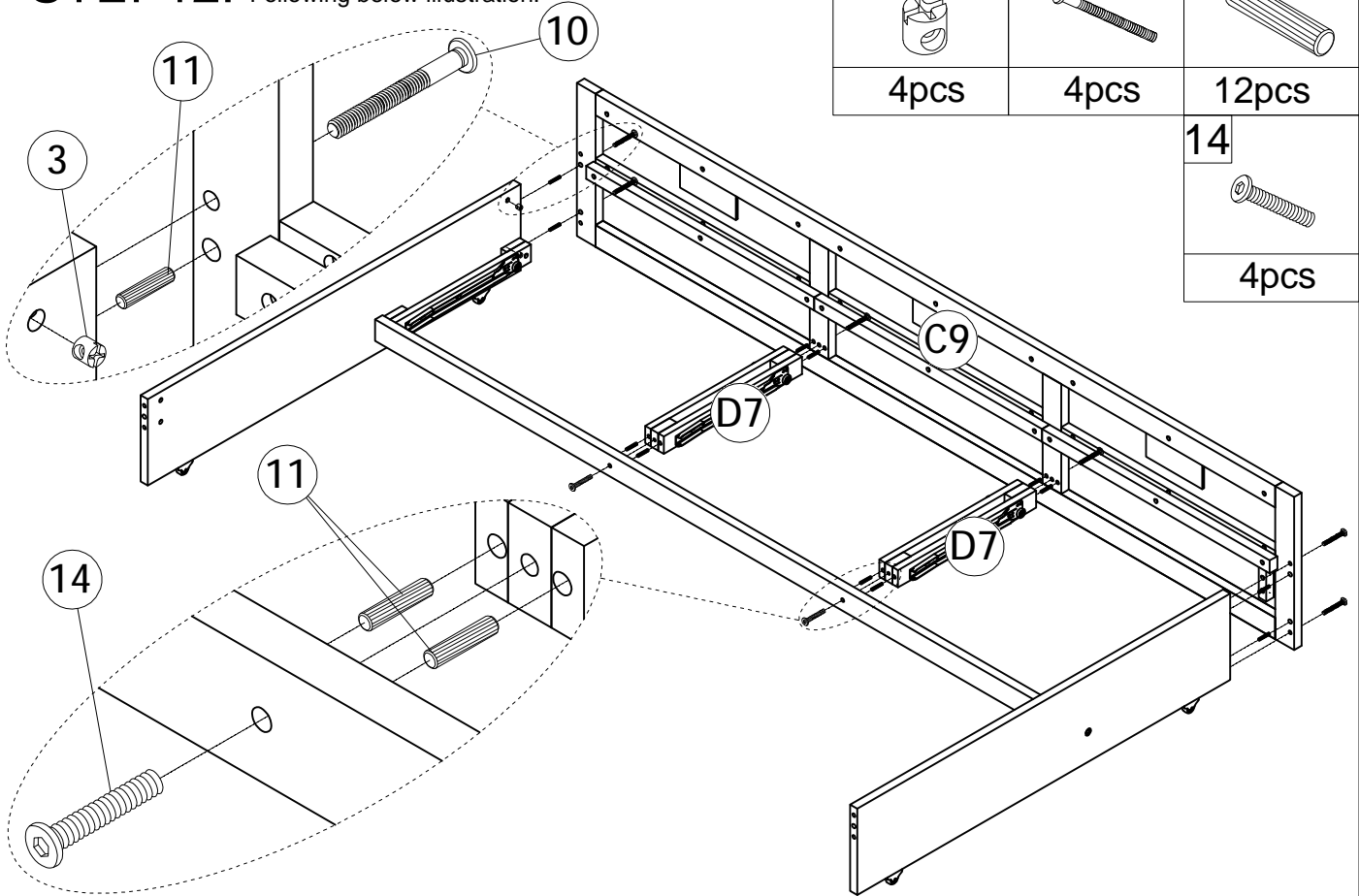
**STEP11:** Following below illustration.

|   |   |
|---|---|
| 3<br>  | 10<br> |
| 2pcs  | 2pcs  |
| 11<br> |   |
| 2pcs  |   |






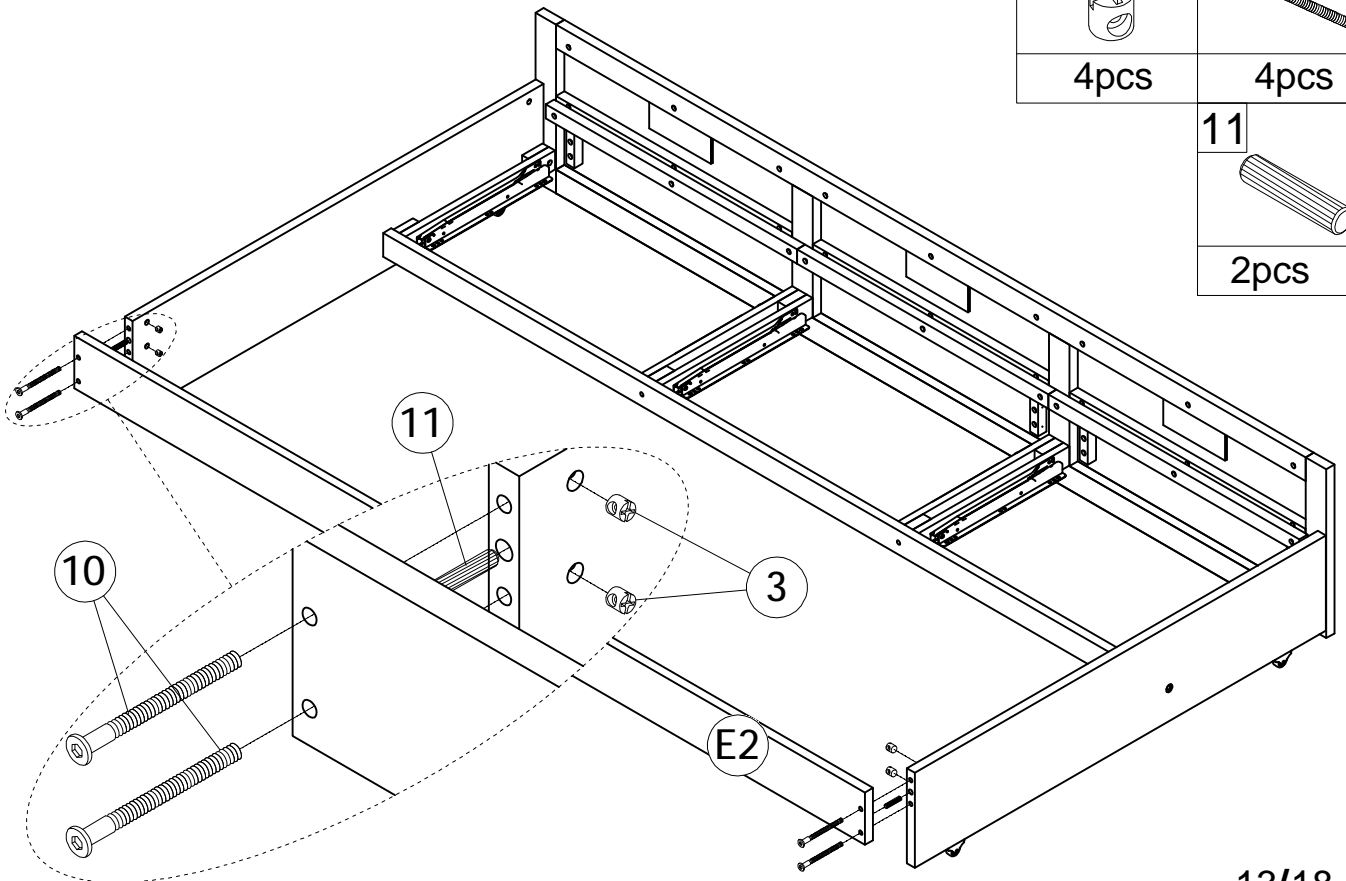
**STEP12:** Following below illustration.

|   |   |   |
|---|---|---|
| 3   | 10  | 11  |
|  |  |  |
| 4pcs  | 4pcs  | 12pcs   |
|   |   | 14  |
|   |   |  |
|   |   | 4pcs  |



**STEP13:** Following below illustration.

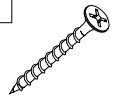
|   |   |
|---|---|
| 3   | 10  |
|  |  |
| 4pcs  | 4pcs  |
|   | 11  |
|   |  |
|   | 2pcs  |



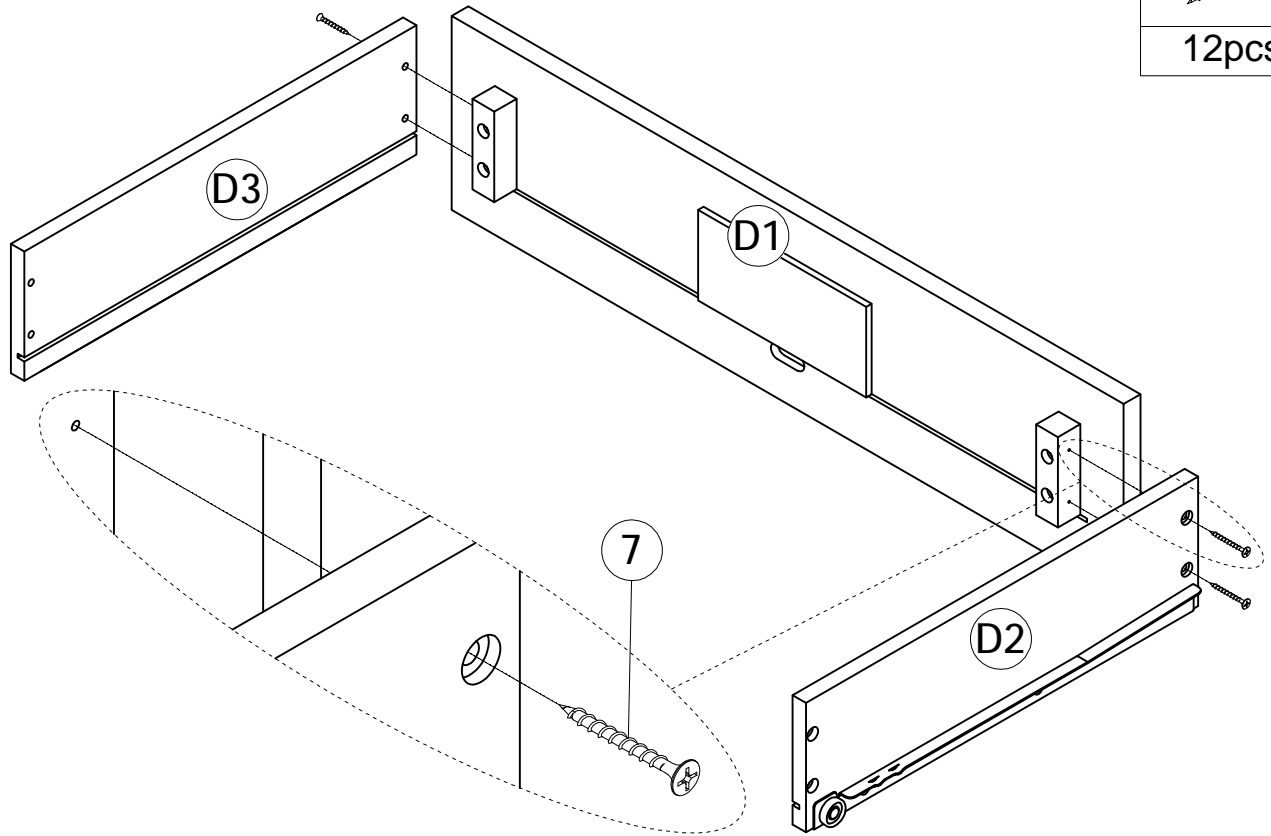
# STEP14:X3

Following below illustration.

7



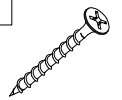
12pcs



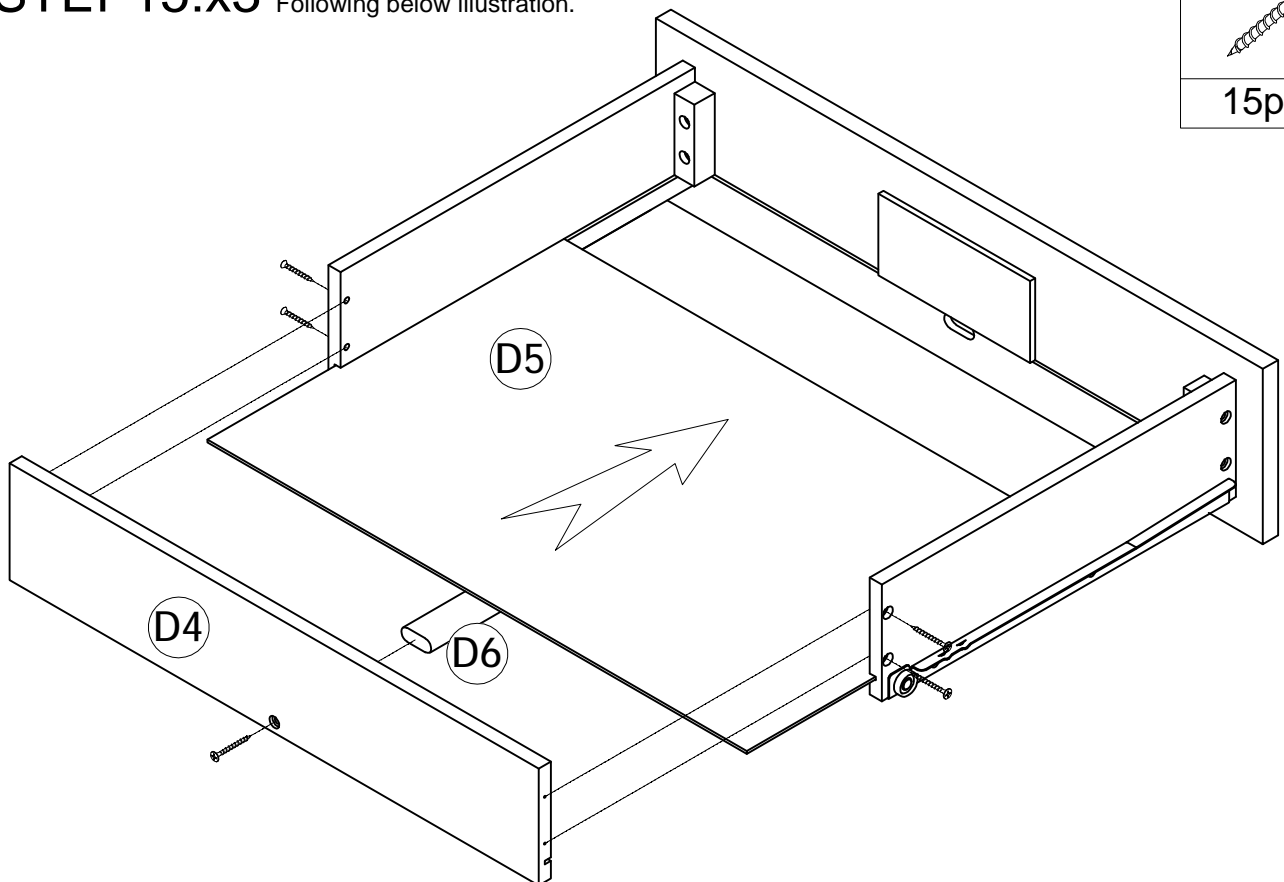
# STEP15:X3

Following below illustration.

7

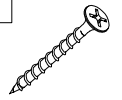


15pcs

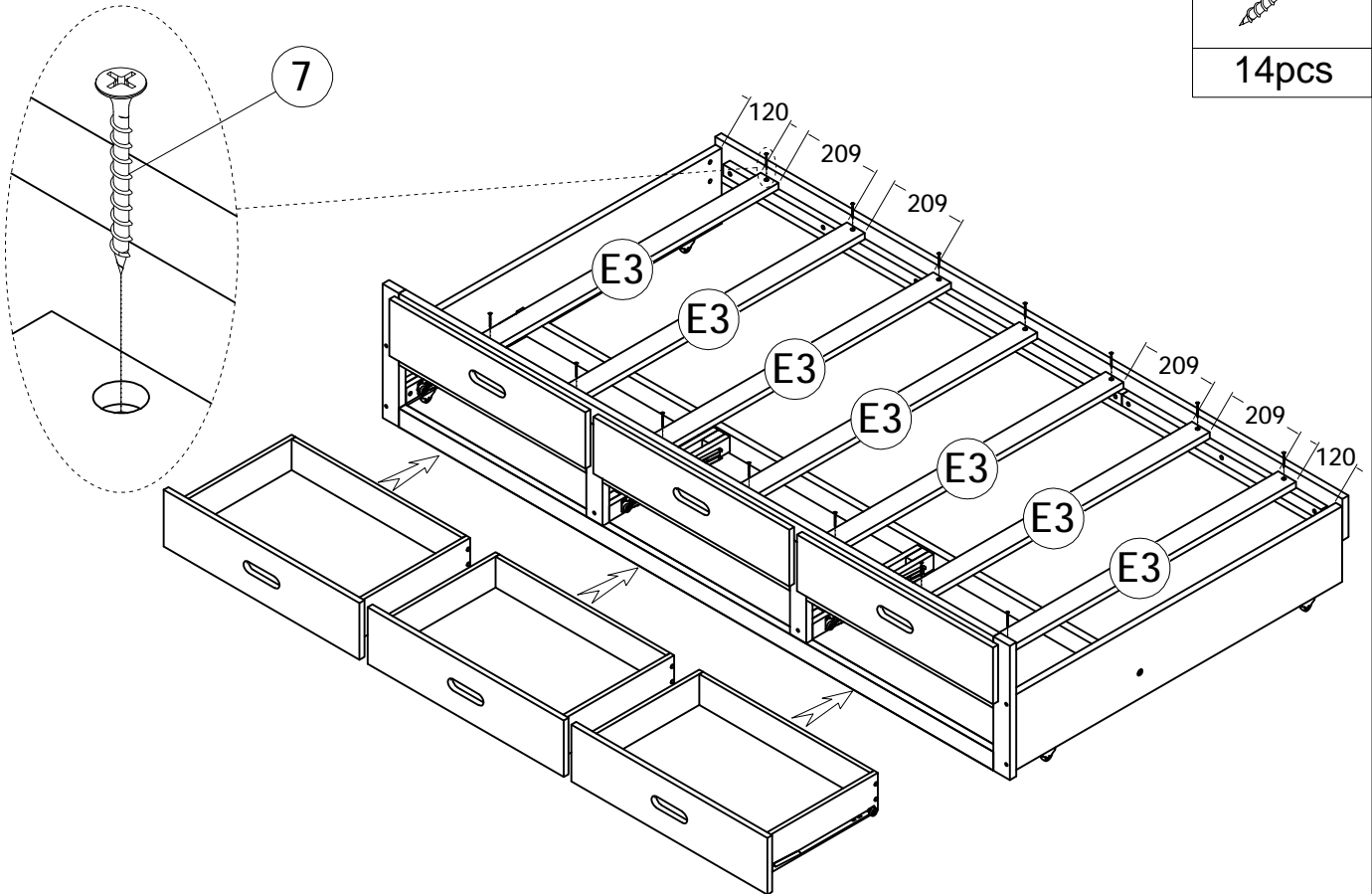


**STEP16:** Following below illustration.

7

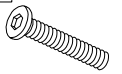


14pcs

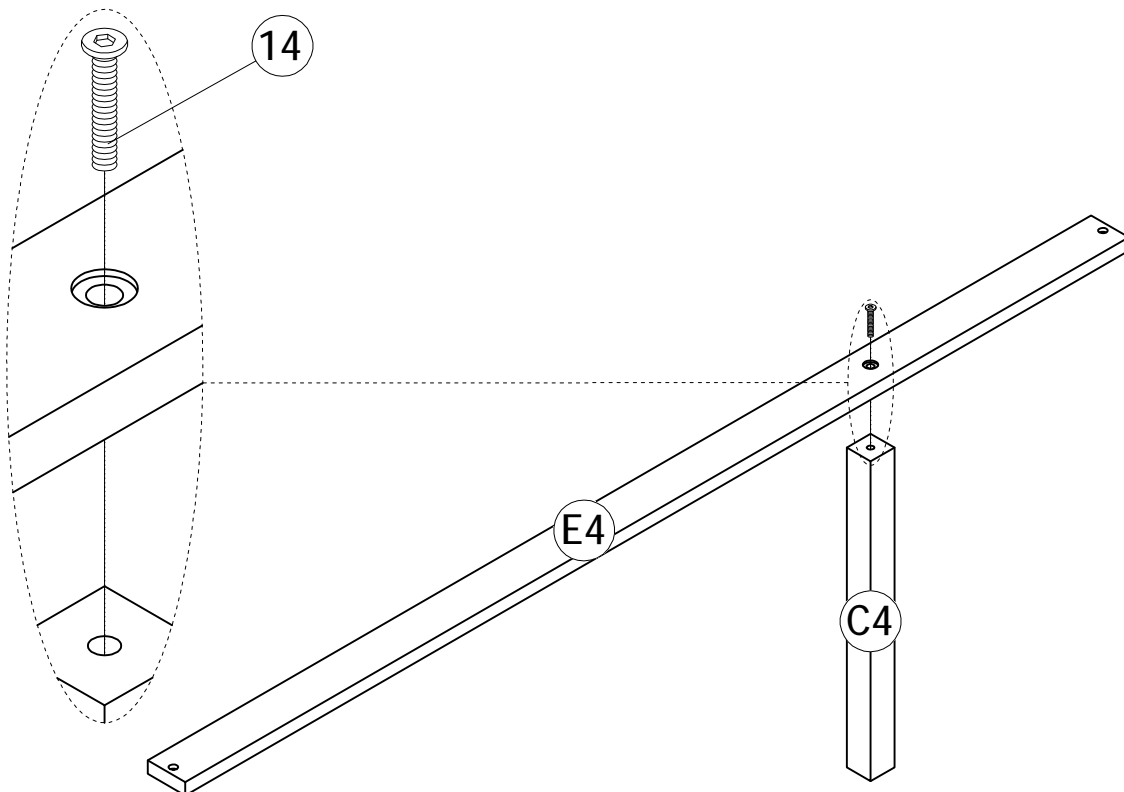


**STEP17:x2** Following below illustration.

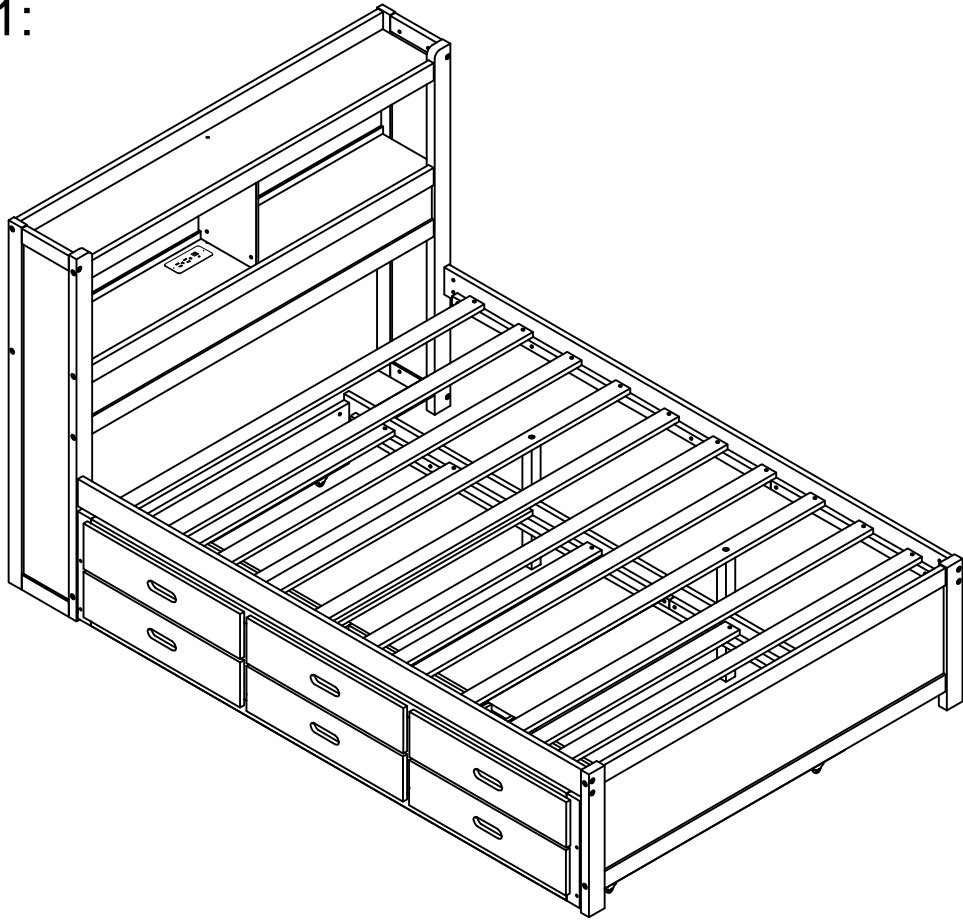
14




2pcs

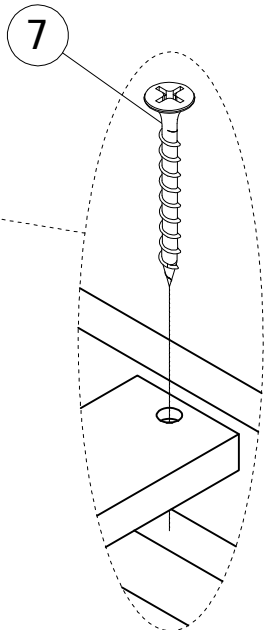
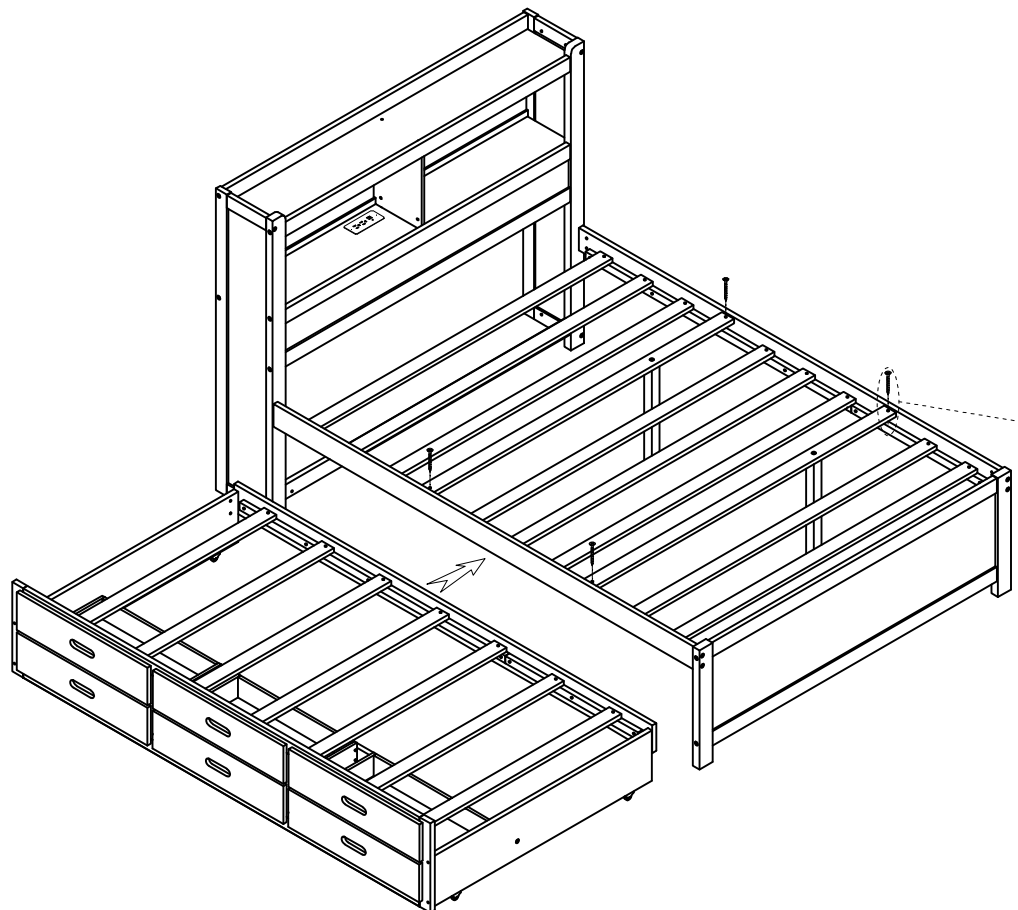


# OPTION 1:

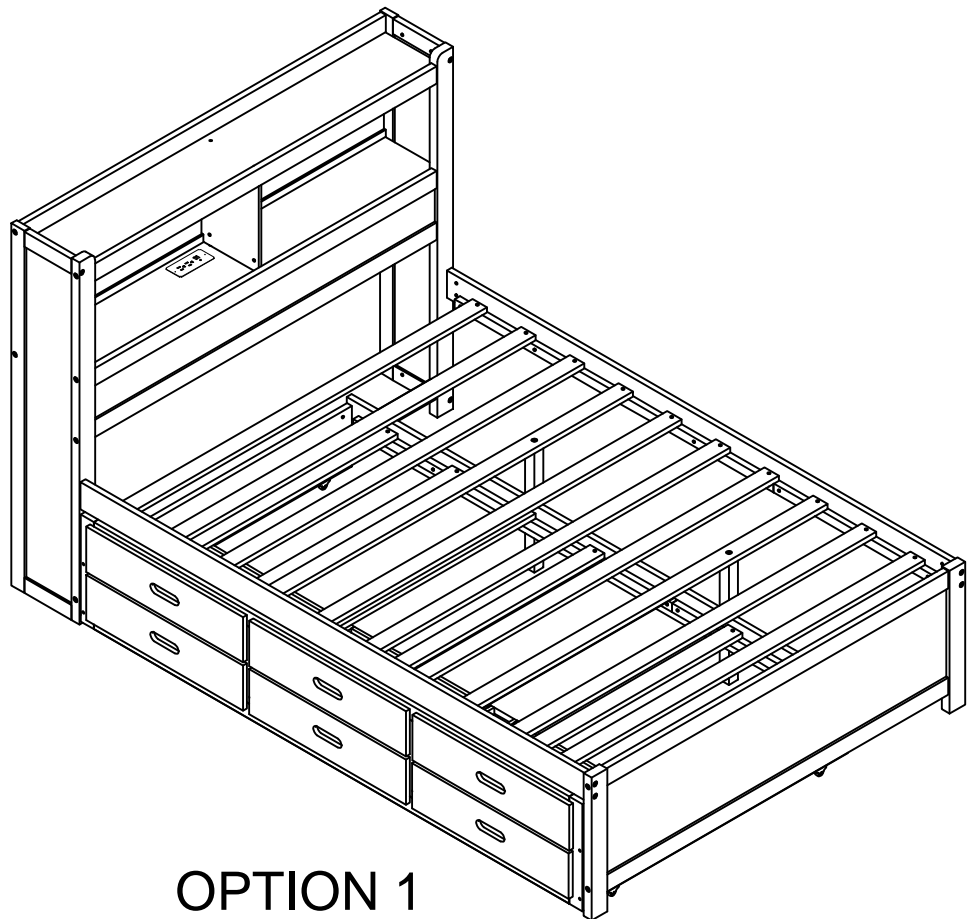


## STEP18: OPTION 1 Following below illustration.

|      |   |
|------|---|
| 7    |  |
| 4pcs |   |

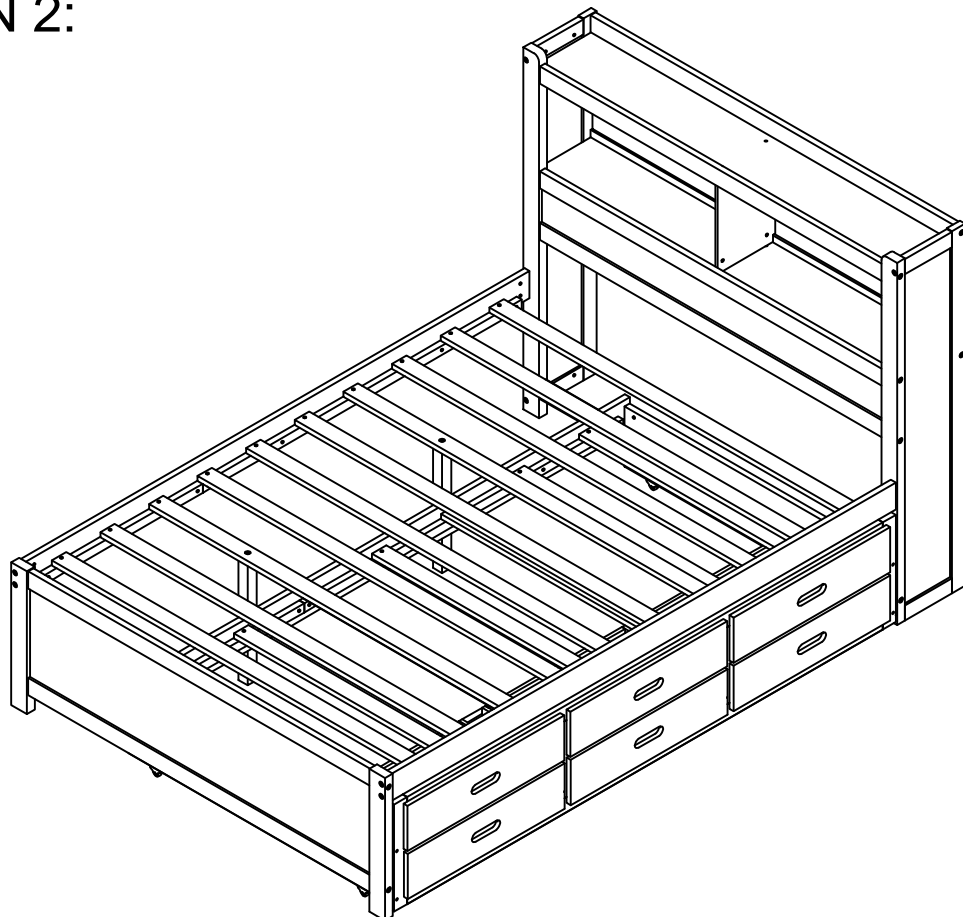


FINISH:



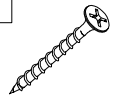
OPTION 1

OPTION 2:

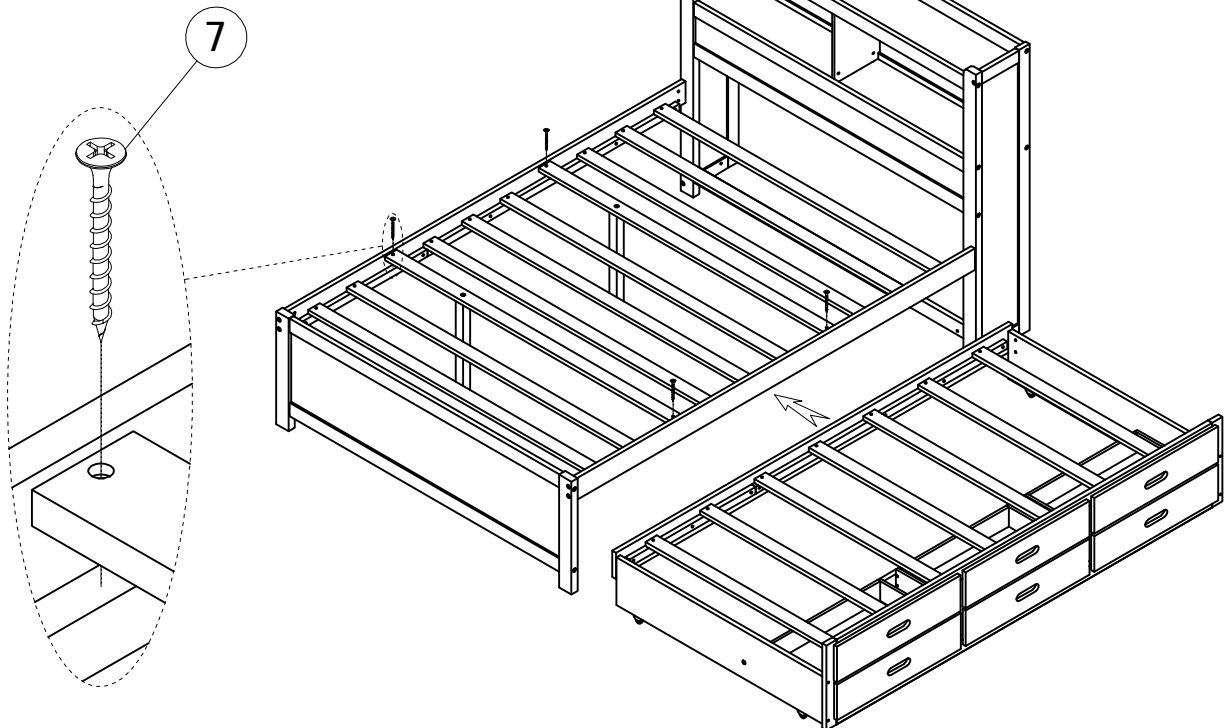


# STEP18: OPTION 2 Following below illustration.

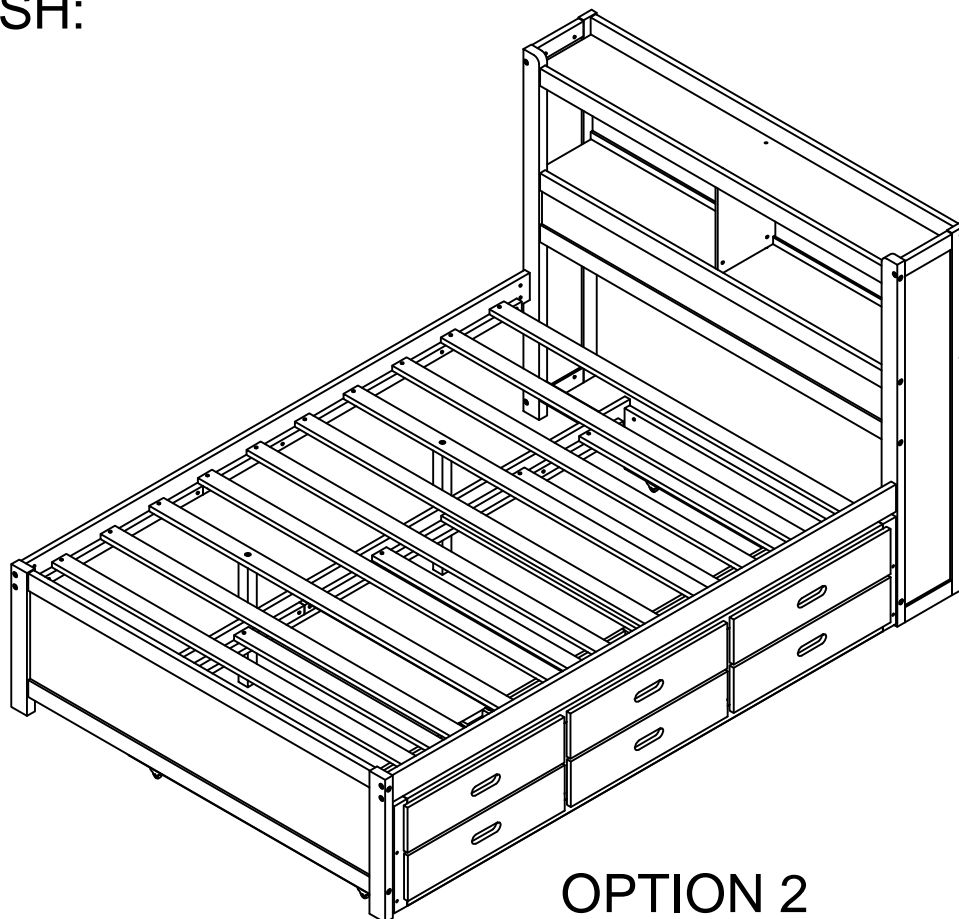
7



4pcs



## FINISH:



OPTION 2