

Product Specs Sheets

Cover Page

Energy 1 0

Features

- Bathroom Sink
- Made of Ceramic
- Glossy White Finish
- With Overflow
- Wall Mount Installation
- Available with One, Two, Three (4" or 8" Spread), or No Faucet Hole
- Available with Soap Dispenser Hole Option to the Left or Right of Faucet Hole



Related Items:

- WSBC 53991 | Push Waste Drain
- WSBC 53922 | Decorative Trap

Finishes:

 Glossy White


SKU# | Options:

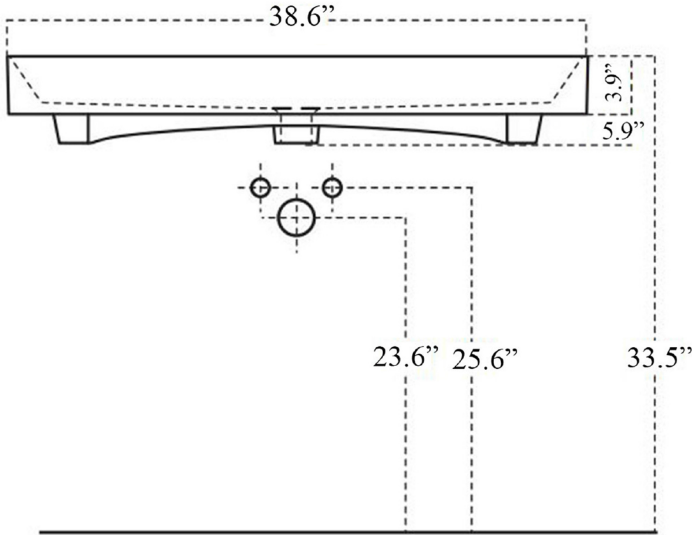
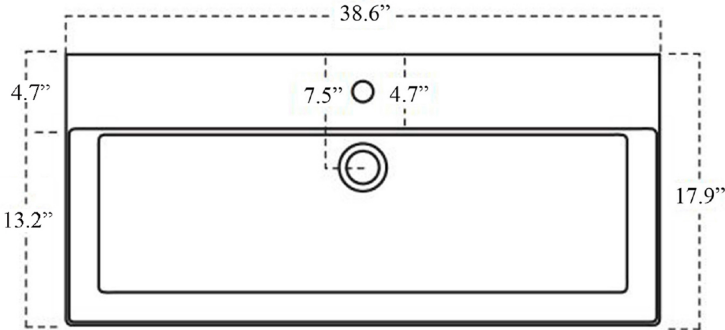
- Energy 100.00 | No Faucet Hole
- Energy 100.01 | One Faucet Hole
- Energy 100.02 | Two Faucet Holes
- Energy 100.03-4 | Three Faucet Hole 4" Spread
- Energy 100.03-8 | Three Faucet Hole 8" Spread
- Energy 100.02L | Left Soap Dispenser Hole (Specify Distance)
- Energy 100.02R | Right Soap Dispenser Hole (Specify Distance)

Codes & Standards:

- ADA Compliant

* WS Bath Collections reserves the right to revise dimensions or information on this sheet without notice

Collection Energy	Model Energy 100	Dimensions Metric <i>1 inch = 2.54 cm</i> <i>1 inch = 25.4 mm</i>	 1051 Lea Drive - Collegeville, PA 19426 Tel. 215 513 9400 - Fax 610 831 0215 www.ws bathcollections.com - info@ws bathcollections.com
-------------------------------	------------------------------	--	---



Collection
Energy

Model |
Energy 100

Dimensions Metric
1 inch = 2.54 cm
1 inch = 25.4 mm



1051 Lea Drive - Collegeville, PA 19426
Tel. 215 513 9400 - Fax 610 831 0215
www.ws bathcollections.com - info@ws bathcollections.com

We recommend the following items that work with your sink.

Energy 100

TRAPS



WSBC 53922
Our best seller

Polished Chrome
WSBC 53922.29

Matte Black
WSBC 53922.22



WSBC 5392

Polished Chrome
WSBC 5392.29



WSBC 53925

Polished Chrome
WSBC 53925.29



WSBC 53921
Space saving

Polished Chrome
WSBC 53921.29

Matte Black
WSBC 53921.22

DRAINS



WSBC 53991
Push waste drain (click clack)
with overflow

Polished Chrome
WSBC 53991.29

Glossy White
WSBC 53991.09

Glossy Black
WSBC 53991.18

Matte White
WSBC 53991.26

Matte Black
WSBC 53991.22

MOUNTING HARDWARE

Wall-mount installation

Vessel/ countertop installation



Bolts



Silicone (optional)

Collection
Energy

Model |
Energy 100

Dimensions Metric

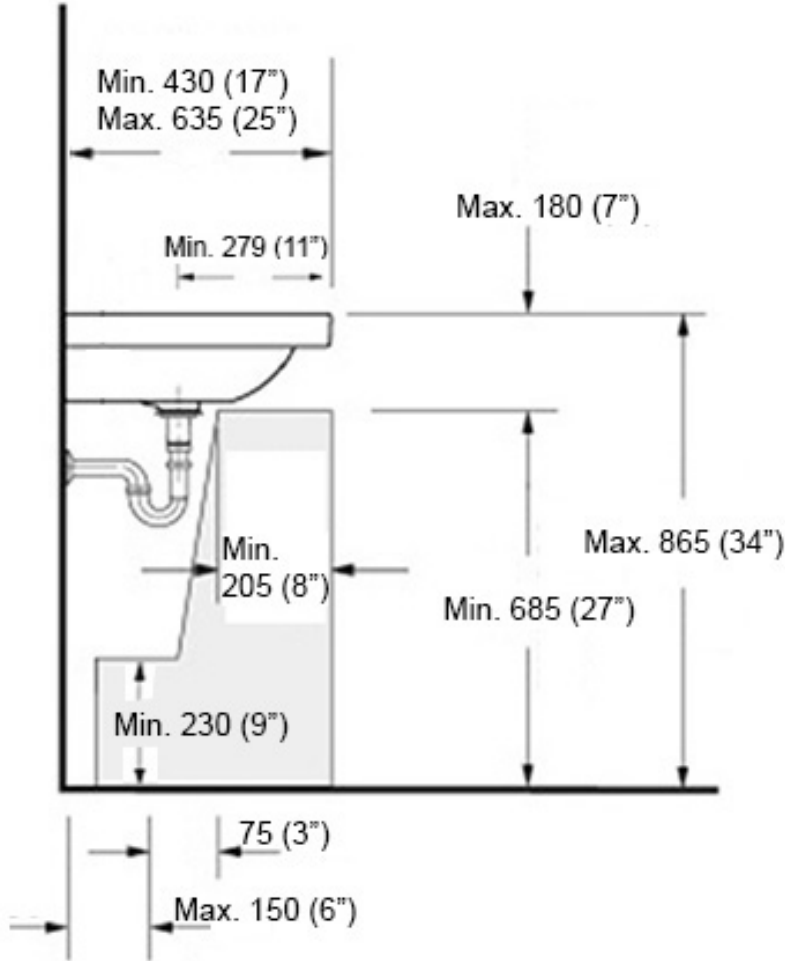
1 inch = 2.54 cm
1 inch = 25.4 mm

WS®
BATH
COLLECTIONS

1051 Lea Drive - Collegeville, PA 19426
Tel. 215 513 9400 - Fax 610 831 0215

www.ws bathcollections.com - info@ws bathcollections.com

Recommended ADA Installation



Note: ADA Compliant when installed in accordance with ADA guidelines

<p>Collection Energy</p>	<p>Model Energy 100</p>	<p>Dimensions Metric 1 inch = 2.54 cm 1 inch = 25.4 mm</p>	<p>WS[®] BATH COLLECTIONS 1051 Lea Drive - Collegeville, PA 19426 Tel. 215 513 9400 - Fax 610 831 0215 www.ws bathcollections.com - info@ws bathcollections.com</p>
-------------------------------------	--------------------------------------	--	--