

3 Seater Swing Instructions

Congratulations on your new purchase. Before assembly please refer to the parts list below to ensure all parts are correct.



























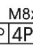
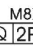
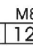
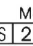
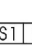
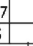










Please retain for future use.

Warnings:

This product is not for commercial use

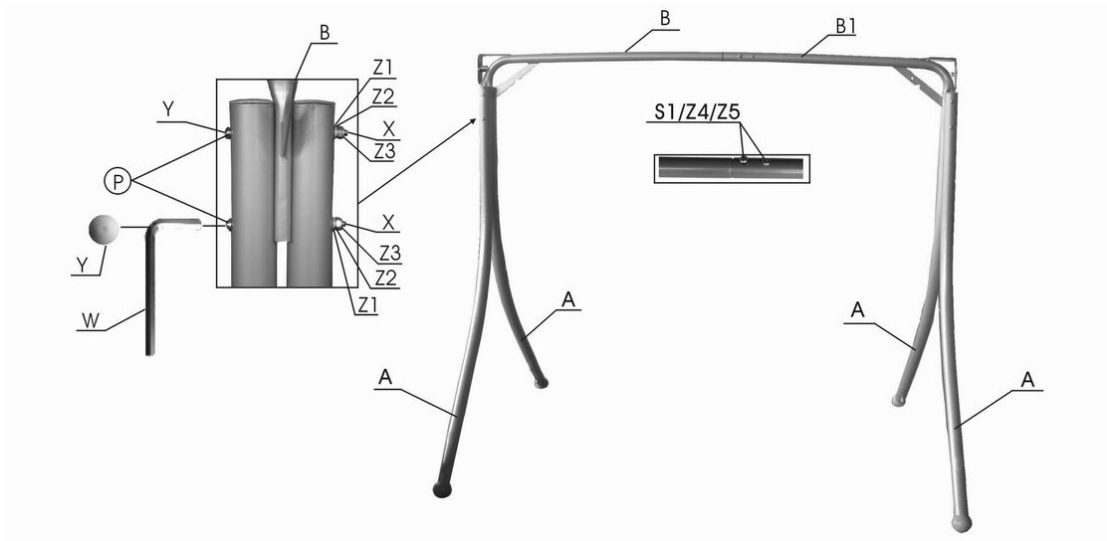
Keep children away during assembly. This item contains small parts which can be swallowed by children.

Parts List:

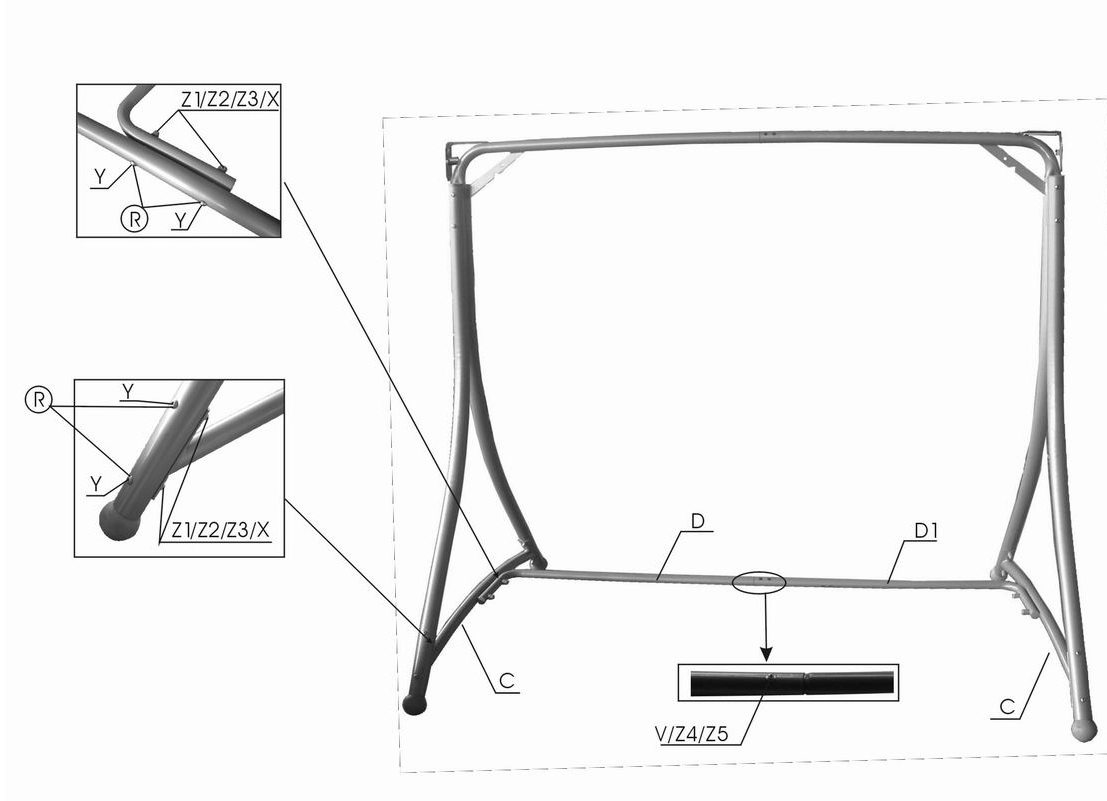
																											
	B	1PC	B1	1PC	C		2PCS																				
																											
	D	1PC	D1	1PC	E		4PCS																				
																											
	F				2PCS		G		2PCS																		
																											
M8x133				H		2PCS		K		1PC		U		1PC													
A	4PCS		I	1PC		J	1PC		K		1PC		U		1PC												
																											
L	1PC		N		2PCS		M8x20		2PCS		M6x35		1PC														
																											
M	2PCS		O		2PCS		P1	4PCS		Q	2PCS		R	12PCS		S	2PCS		S1	2PCS		V2	2PCS		W	1PC	
																											
X	22PCS		Y		22PCS		Z	2PCS		Z1	22PCS		Z2	22PCS		Z3	22PCS		Z4	3PCS		Z5	3PCS				

Assembly Guide:

I) Attach parts B and B1 together (use parts S1 / Z4 / Z5 to bolt together)
 Attach parts A to sections B1 and B2 once bolted together, use the bolts shown in the exploded diagram (Z1 / Z2 / Z3 / P)

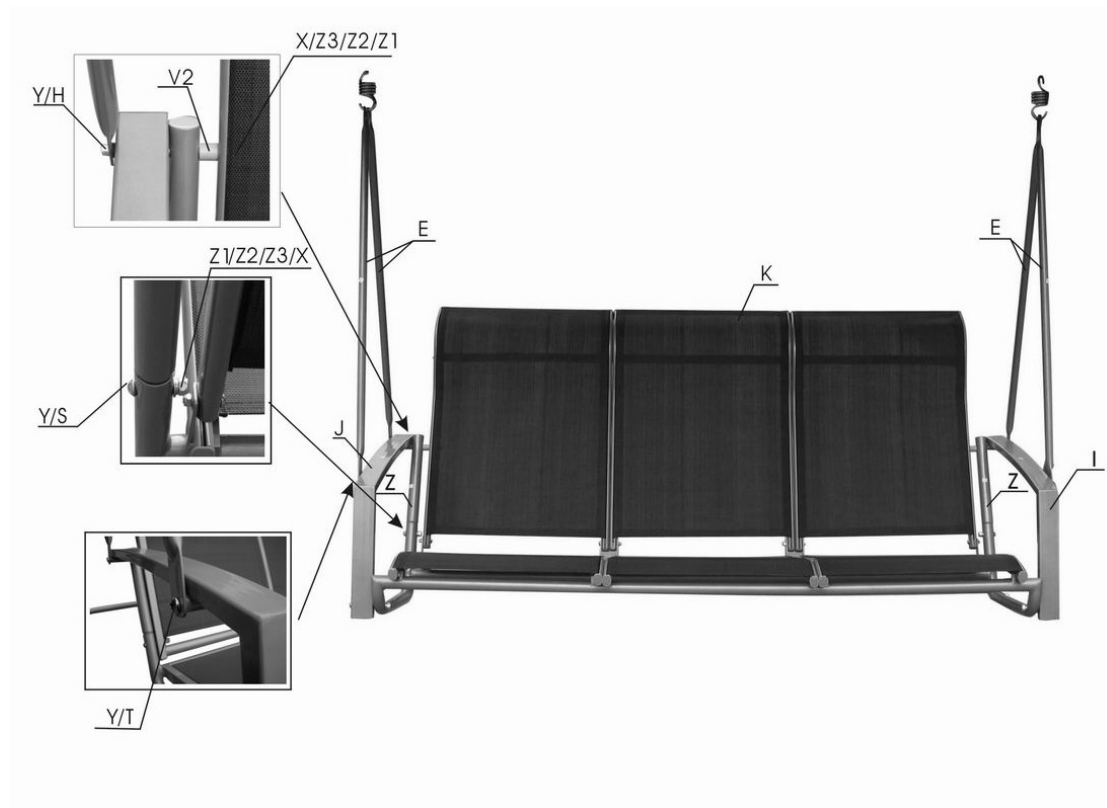


II) Attach part C cross bar to the bottom sections of the legs, repeat on the opposite side, use bolt: Z1 / Z2 / Z3 / X / R, Attach D & D1 together using bolts: V / Z4 / Z5, connect completed section D to sections C, use: Z / Z2 / Z3 / X

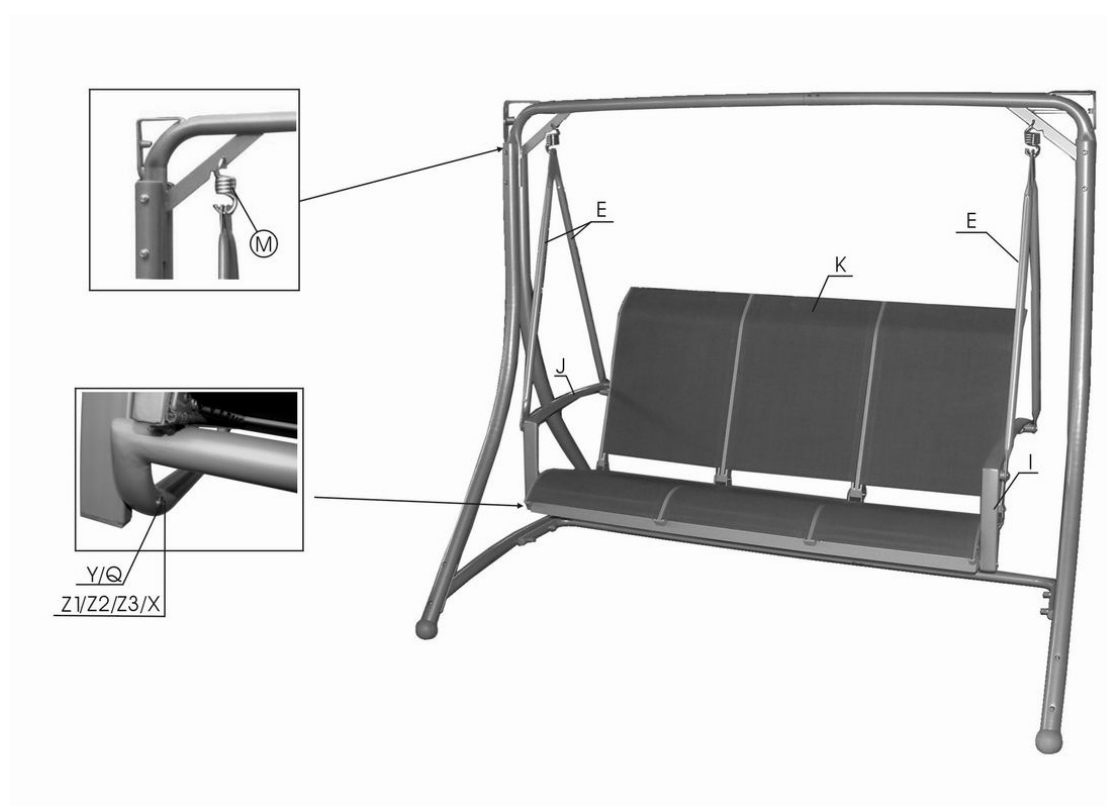


III) Seat Section

Open up seat and attach side arms and seat swing supports, refer to exploded diagrams for attaching parts.



IV) Attach completed swing section to the main frame using the springs provided, parts M



V) Attach canopy frame, refer to the exploded diagrams for details.



Spare Parts

Please note we stock the below spare parts should they be missing from your item on receipt. If the item has a major fault or fundamental flaw please return to the place of purchase, otherwise visit our website to order the parts.

Part H	
Part L	
Part M	
Part N	
Part O	
Part P	
Part Q	
Part R	
Part S	

Part S1	
Part T	
Part V	
Part V1	
Part V2	
Part X	
Part Y	
Part Z	
Part Z1	
Part Z2	
Part Z3	
Part Z4	
Part Z5	