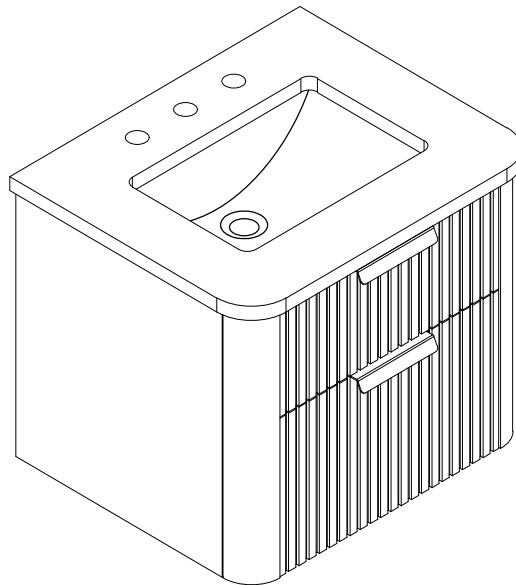


Thank you for Shopping with us!

We hope we were able to provide your home with the perfect vanity. This vanity has been constructed with design, quality and functionality in mind. We hope you enjoy this new addition!

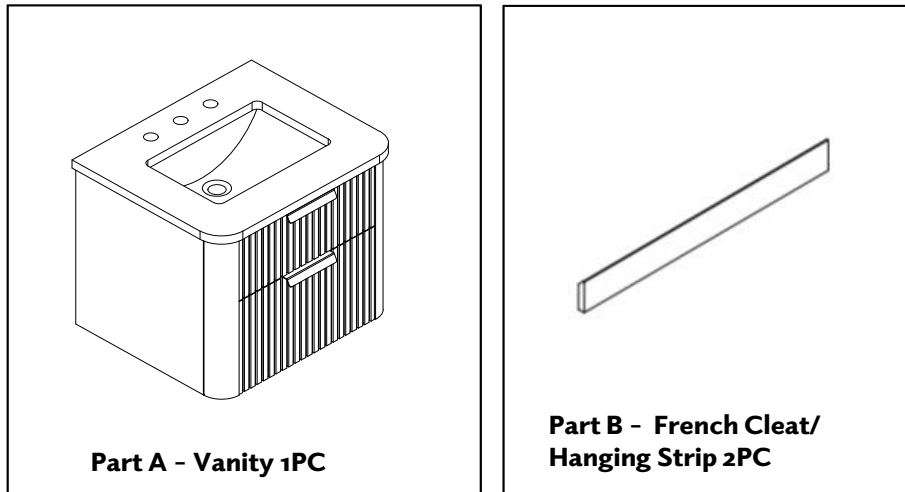
Your feedback is invaluable to us and we would love to hear about your experience. Please take the time to leave us a review.

We encourage you to take a few minutes to go through this booklet. It contains important information on installation and care tips to keep your furniture looking as good as new.



Before assembly and installation, please check and ensure you received the items in the below "Part List".

Part List

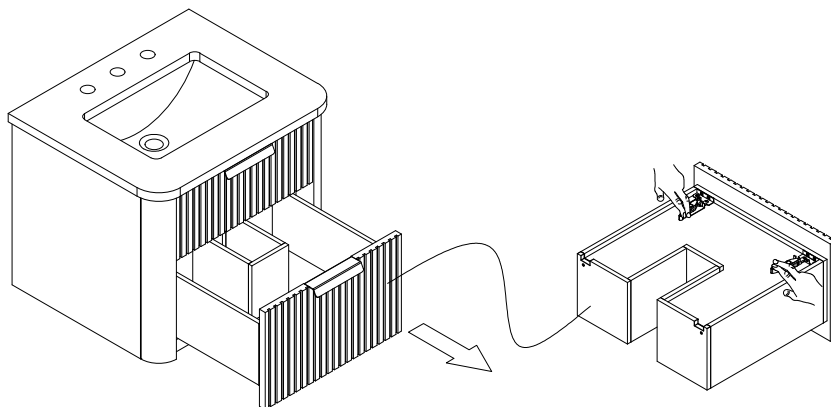


NOTES AND INSTALLATION

- Faucet, drain, silicone and all other plumbing components, tools & hardware are not included.
- Power tools such as a power drill will be required along with additional hardware and appropriate wall anchors.
- Handling will require two people.
- Ensure all building & plumbing codes are respected. Professional installation recommended.
- Total vanity weight is 56 lbs, ensure wall structure is reinforced and hanging hardware can support this weight as well as any additional weight.

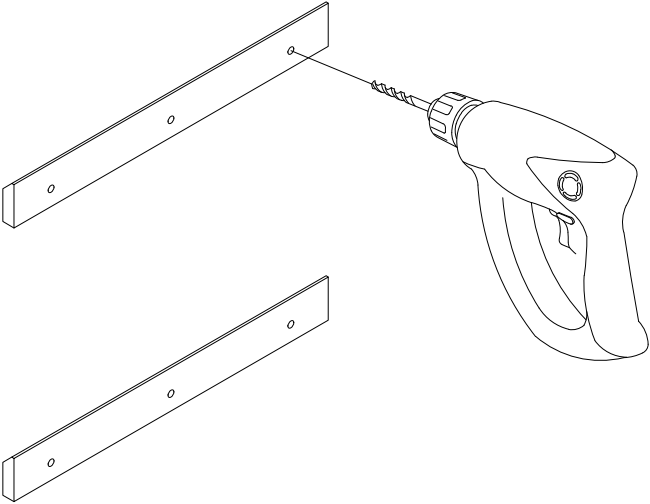
STEP 1

- The drawers need to be removed for plumbing installation. Locate the clips on both sides of the bottom of the drawer, press the clips and pull the drawer out.

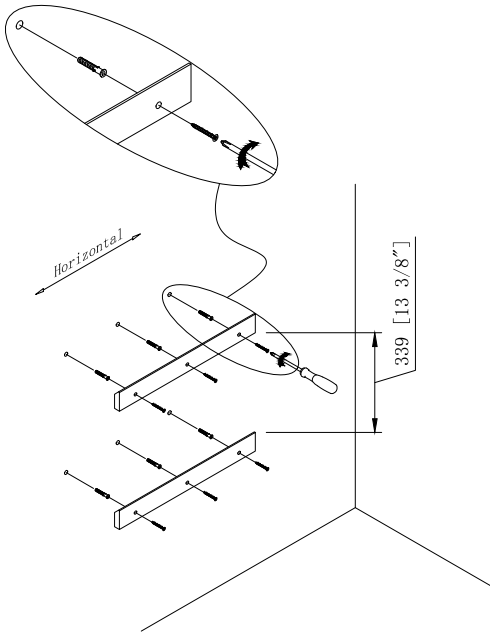
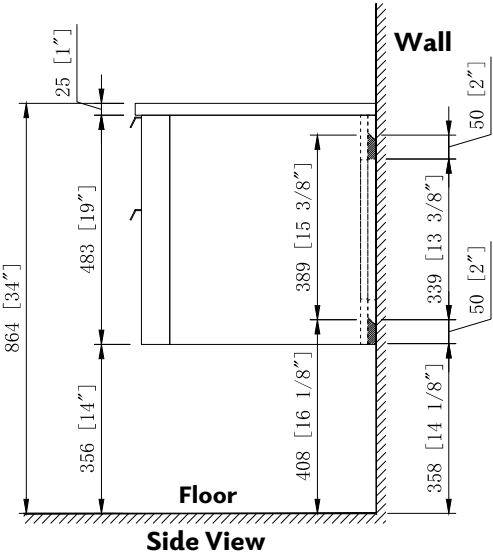


STEP 2

- Determine the desired location of the vanity and ensure the wall can support the vanity weight.
- Align and level the french cleats. The suggested distance from the finished floor to the top of the upper french cleat will be 31.38", if desired finished height of the vanity is 34" from the floor to the top of the finished countertop surface.
- Pre-drill 3 holes into the french cleats according to the position of the studs on the walls prior to placing on the wall using the appropriate hardware.

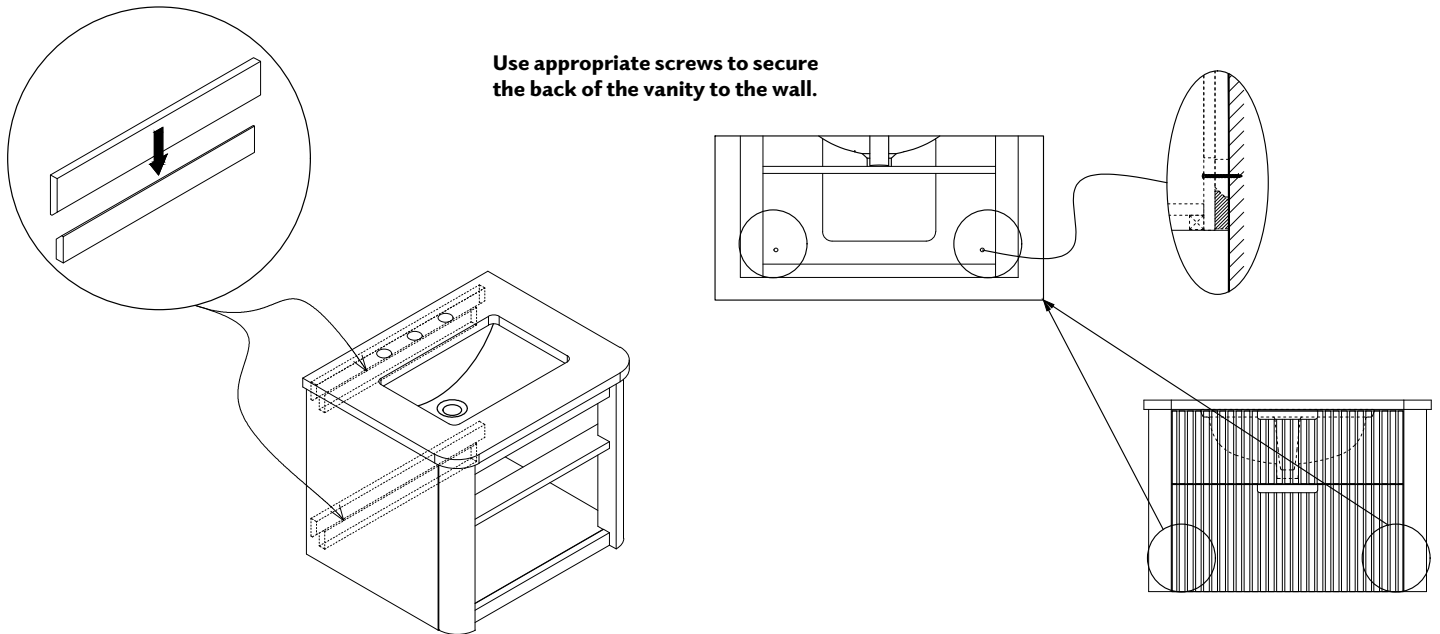


- The height distance between two french cleats must be 339mm (13.38 inch) from the bottom of the upper cleat to the top of the lower cleat.
- Install the french cleat to the wall by securing it to the wall studs and/or using appropriate hardware suitable for the wall it is being installed on. If installing on drywall, use a stud finder to locate the studs and secure the hanging french cleats to at least 2 studs using screws and wall anchors suitable for the weight.



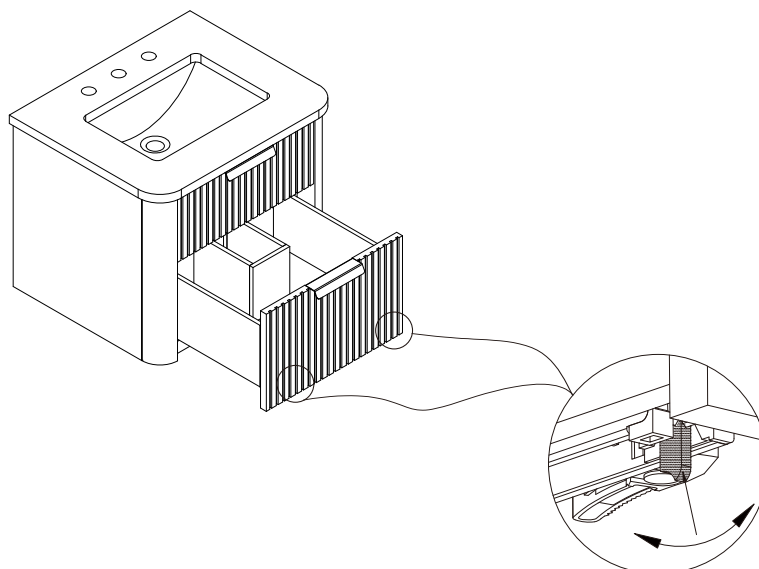
24" Bathroom Vanity

- Once french cleats are secure, place the vanity onto the french cleats on the wall by aligning the french cleats of the vanity. Once placed slide into desired position.
- Once in desired position it is required that the vanity is secured to the wall with the use of screws, by drilling into the bottom french cleat attached to the vanity (see diagram).
- Secure the screws on the bottom of the back panel and the french cleat on the bottom of the vanity.



STEP 3

- Install the faucet and all plumbing.
- Reinsert the drawer by aligning the two sides of the drawer glides and slide it until fully inserted.
- Once the drawer has been inserted, check to ensure that the drawer moves with ease. If it does not, this would most likely be due to an alignment issue, which can be easily resolved by leveling the drawers. Drawer can be leveled by sliding the small adjustment knob forward or backward. This can raise or lower the drawer.



CARE, CLEANING AND MAINTENANCE

- Dust regularly with a soft, dry cloth.
- Avoid the use of all chemicals, household cleaners and abrasives that may damage finish.
- Excessive exposure to sunlight and extreme changes in temperature and moisture can damage wood furniture.
- Avoid placing hot appliances, such as curling irons and hot hair dryers directly on the countertop.
- Avoid placing extremely heavy items on top.
- Stone countertops are surprisingly resilient to stains and scratches. However, as a preventative measure, any spills on the stone surfaces should be wiped up within a reasonable amount of time. Don't let liquid sit on the stone overnight. Stones are most prone to staining by oil and acid, so be sure to blot these spills up as soon as they happen. Follow up by cleaning the stone with a mild non-abrasive soap and water. In bathrooms specifically, stone tends to attract soap scum, just like man-made tile. Rinse vanity top with clean, hot water frequently. The use of sealers is also a powerful preventative measure. Your stone was sealed at the factory, but reapplication is necessary over time. How often is determined by the quality of the sealer used, and the frequency of use. We recommend using a penetrating non-toxic sealer for bath areas, but a food-safe sealer is typically not necessary.
- If stains and scratches do occur, there are many things you can do as a consumer to remove them. Remove oil-based stains with acetone, mineral spirits, or ammonia. Organic stains like coffee, tea, or juice can be removed with hydrogen peroxide, mixed with a few drops of ammonia. Water spots or rings are the most common problem with bath vanities, and are caused by minerals left behind when water evaporates. These can be removed by buffing the spots gently with 00 gauge steel wool. Likewise, small nicks and scratches can often be removed the same way.
- Larger scratches, chips, and resilient stains may require professional help. Please contact your local stonemason for details.

DIMENSIONS

