

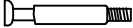


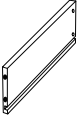



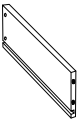






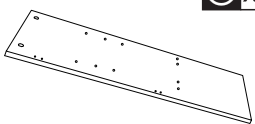
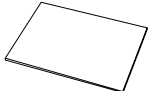


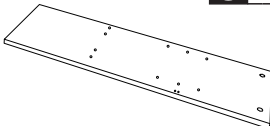
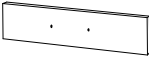


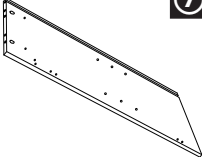

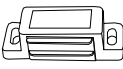
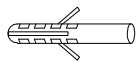
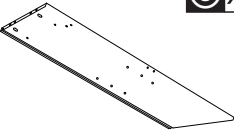
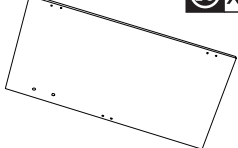
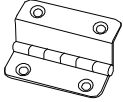


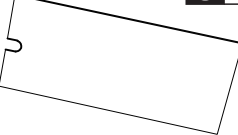
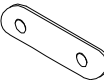

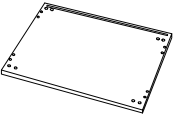





READ AND SAVE THIS INSTRUCTIONS FOR FUTURE USE

# ASSEMBLY & INSTRUCTION MANUAL

<b>①</b> x 1 	<b>⑪</b> x 4 	<b>A</b> x 16 	<b>K</b> x 8 
<b>②</b> x 2 	<b>⑫</b> x 1 	<b>B</b> x 16 	<b>L</b> x 16 
<b>③</b> x 1 	<b>⑬</b> x 1 	<b>C</b> x 24 	<b>M</b> x 1 
<b>④</b> x 1 	<b>⑭</b> x 1 	<b>D</b> x 1 	<b>N</b> x 1 
<b>⑤</b> x 1 	<b>⑮</b> x 1 	<b>E</b> x 3 	<b>O</b> x 4 
<b>⑥</b> x 1 	<b>⑯</b> x 1 	<b>F</b> x 6 	<b>P</b> x 1 
<b>⑦</b> x 1 	<b>⑰</b> x 1 	<b>G</b> x 2 	<b>Q</b> x 1 
<b>⑧</b> x 1 	<b>⑱</b> x 1 	<b>H</b> x 4 	<b>R</b> x 1 
<b>⑨</b> x 1 	<b>⑲</b> x 1 	<b>I</b> x 2 	<b>S</b> x 8 
<b>⑩</b> x 1 	<b>⑳</b> x 1 	<b>J</b> x 28 	<b>T</b> x 12 

M4\*35

M4\*12

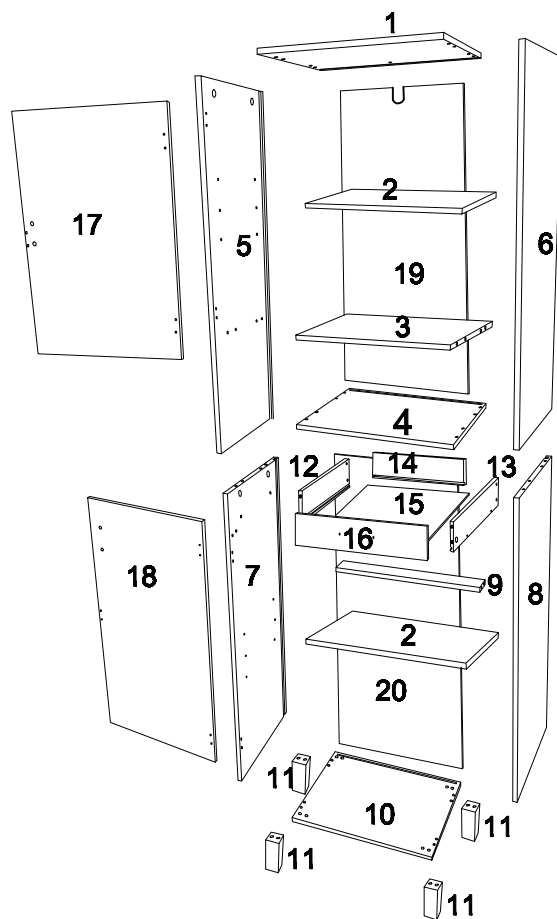
M3\*25

M4\*25

M4\*40

M3\*12

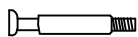
M3\*14



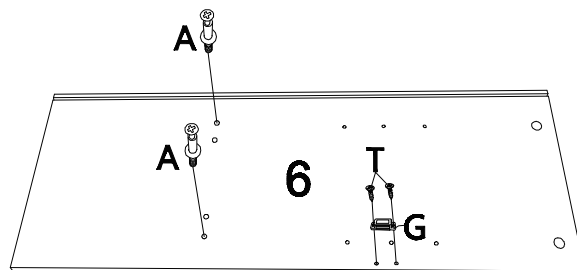
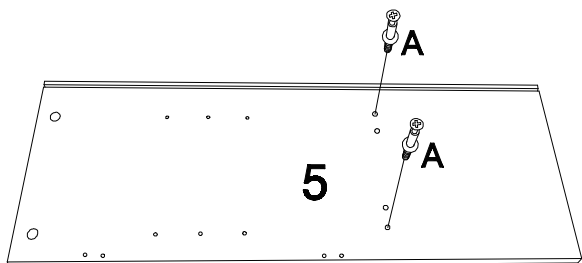
**A** x 4

**G** x 1

**T** x 2



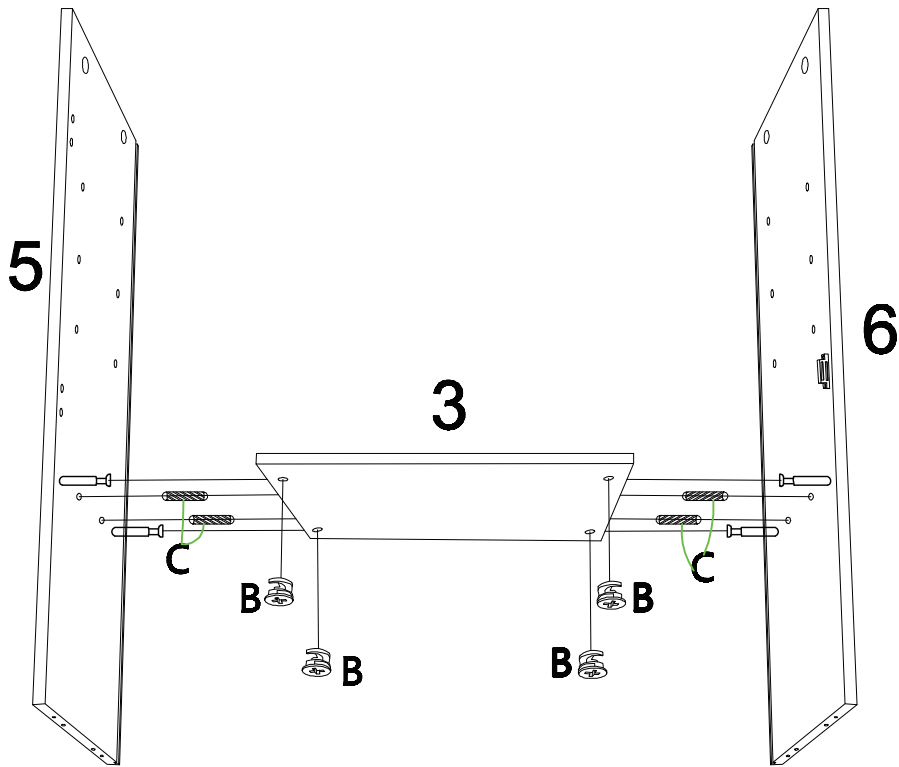
M3\*14



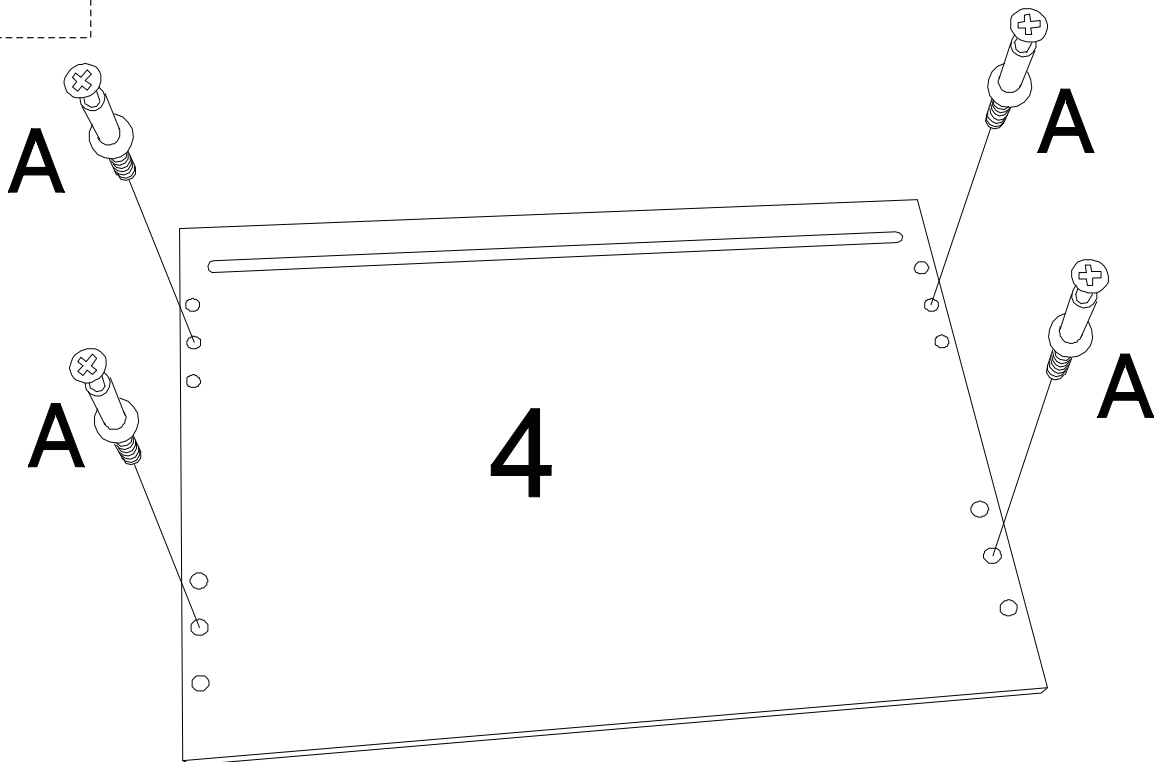
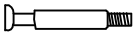
**B** x 4



**C** x 4



**A** x 4

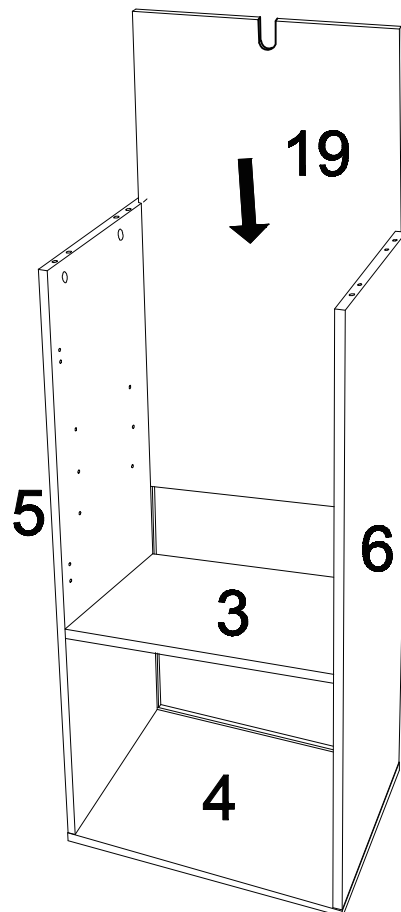
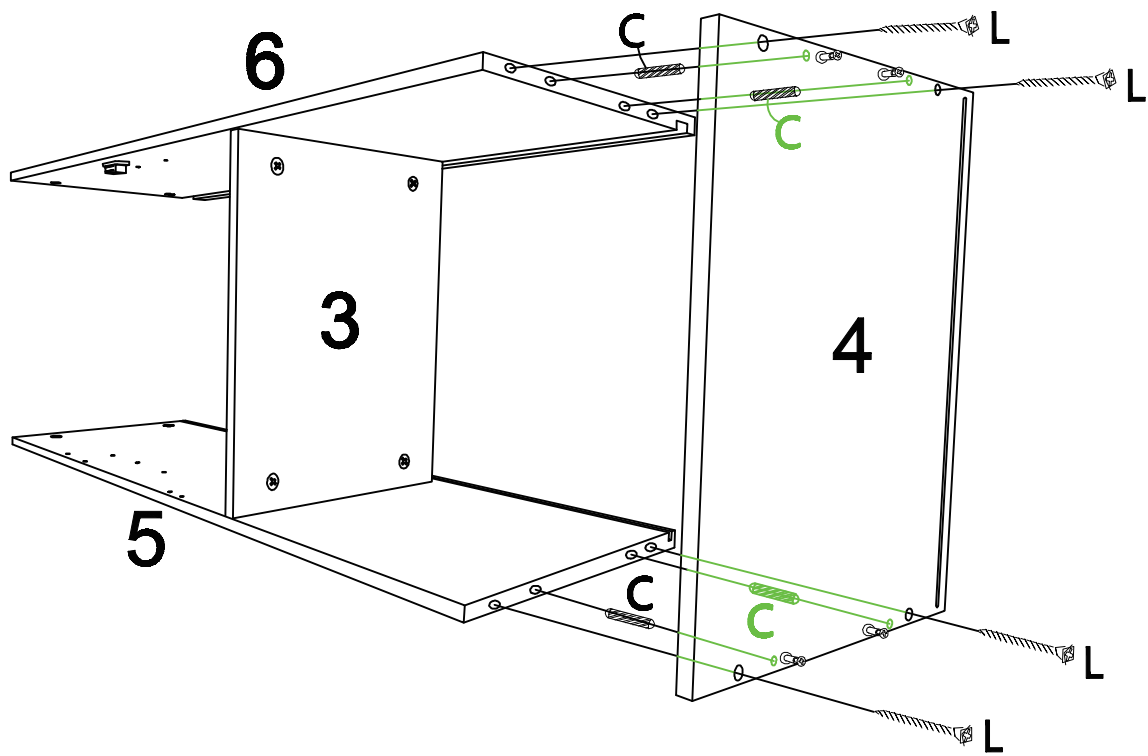


C x 4

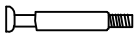
L x 4



M4\*35



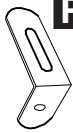
A x 4



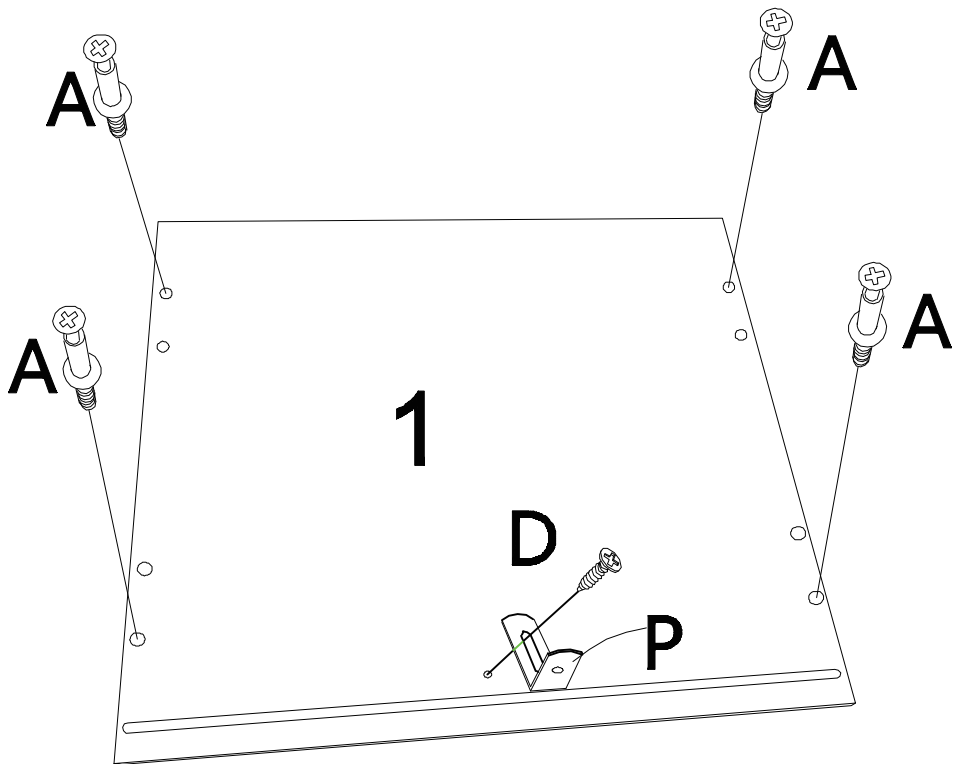
D x 1



P x 1



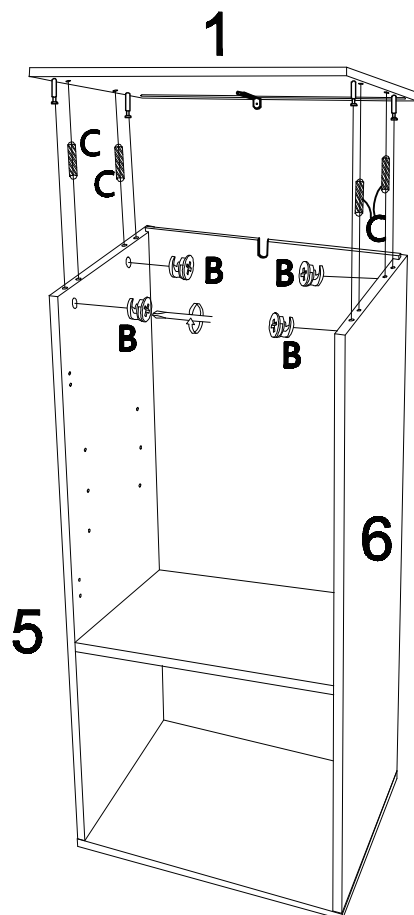
M4\*12



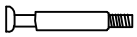
B x 4



C x 4



A x 2



G x 1



J x 4



M x 1

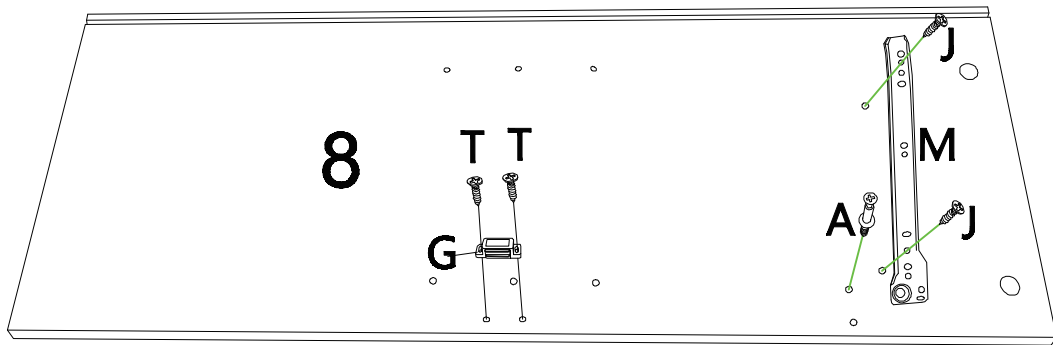
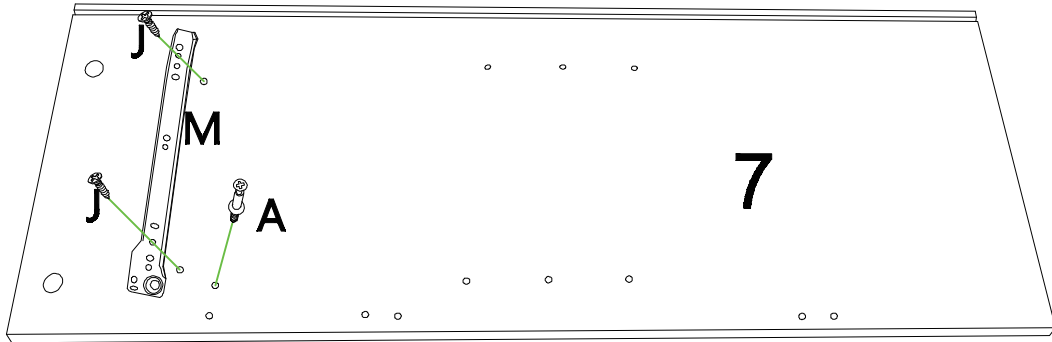


T x 2



M3\*12

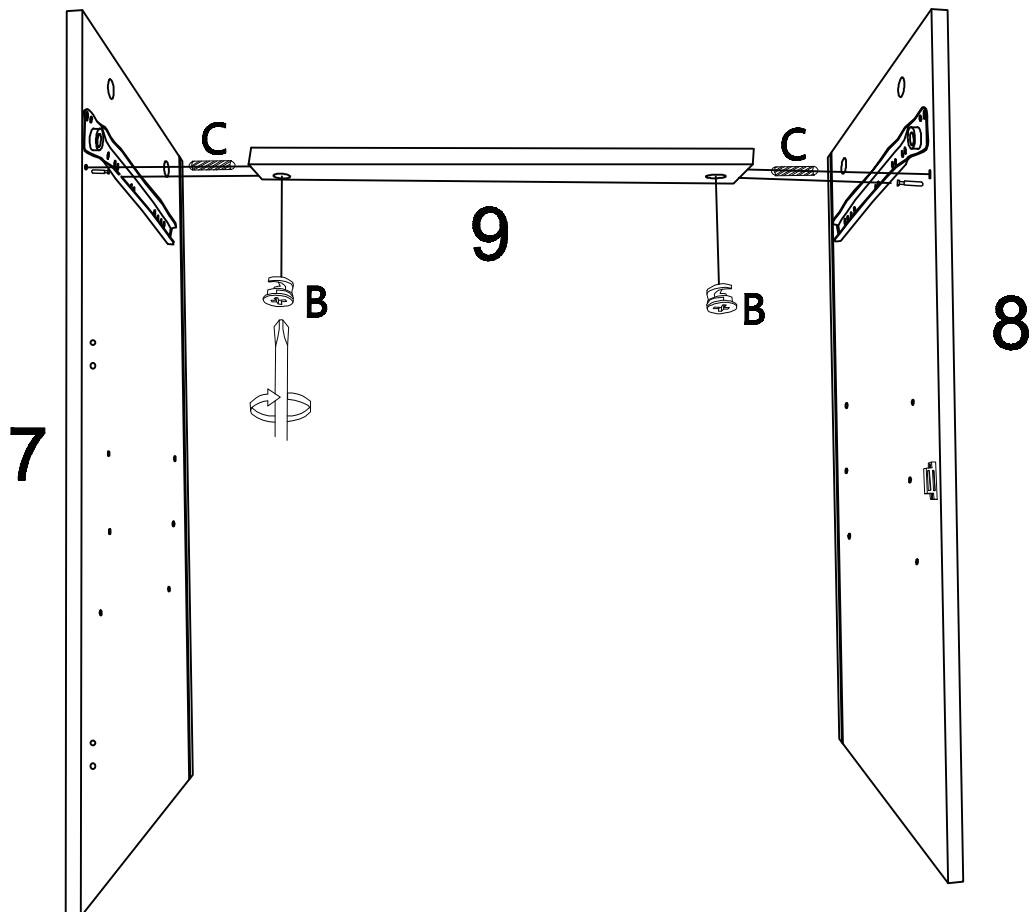
M3\*14



B x 2



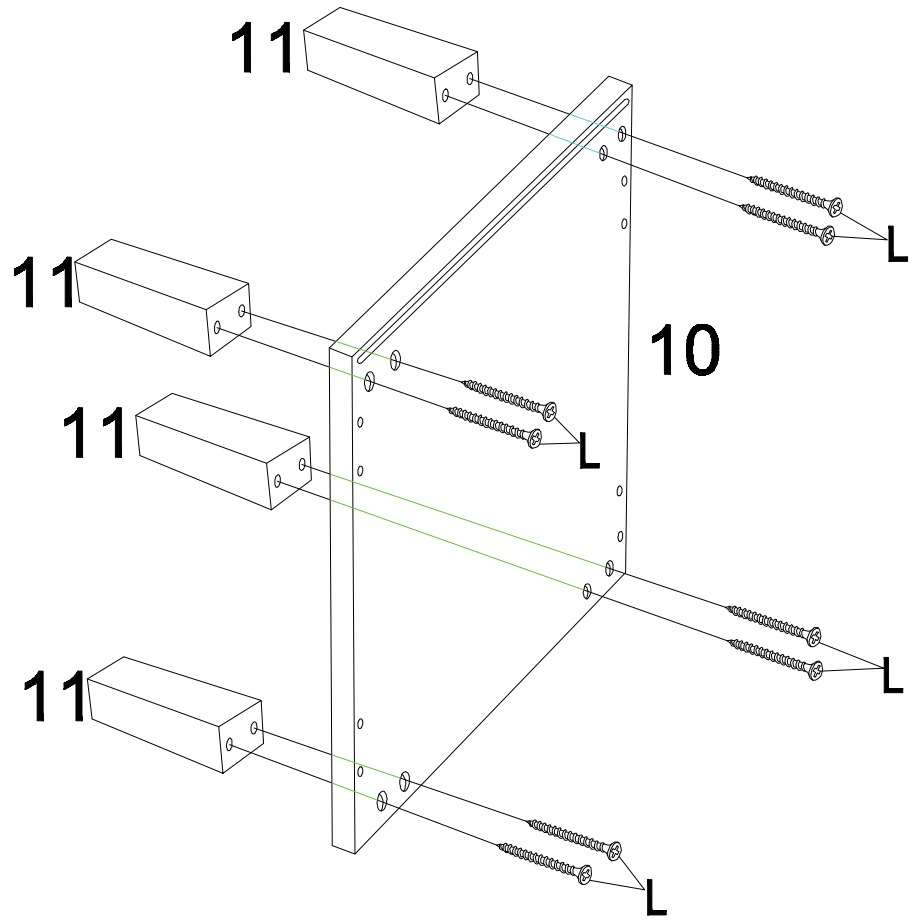
C x 2



L x 8



M4\*35

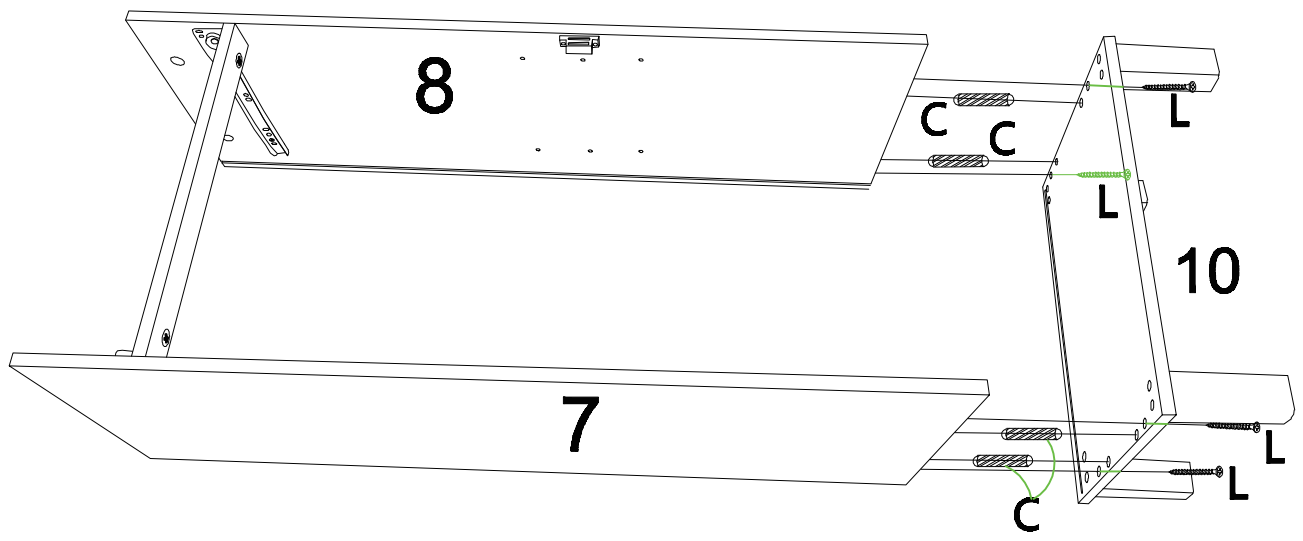


C x 4

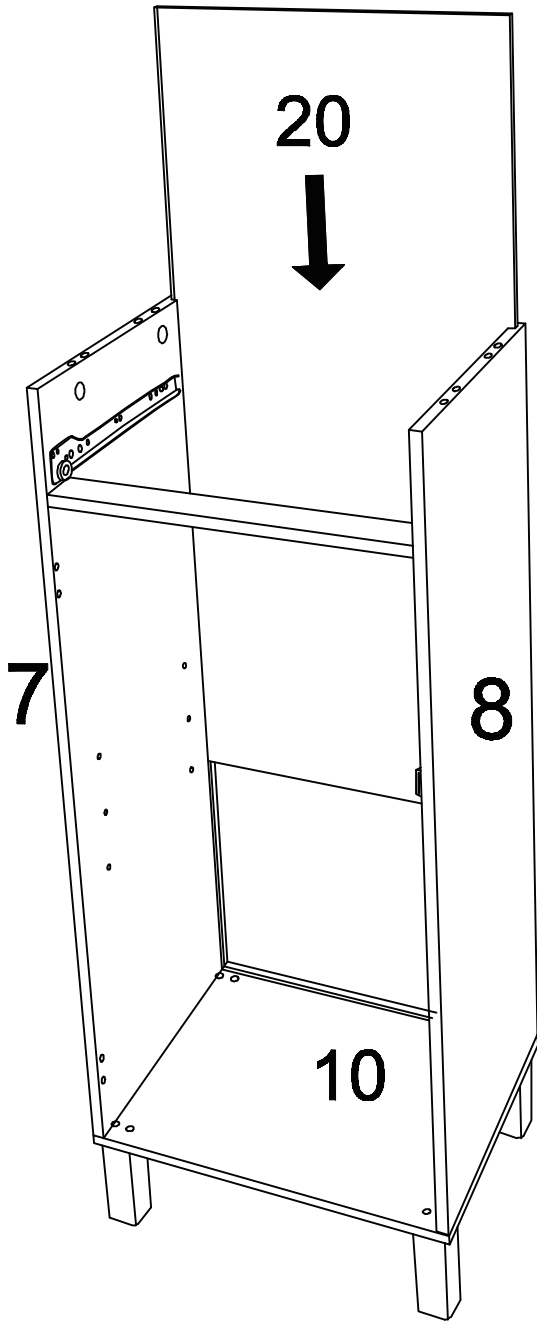
L x 4



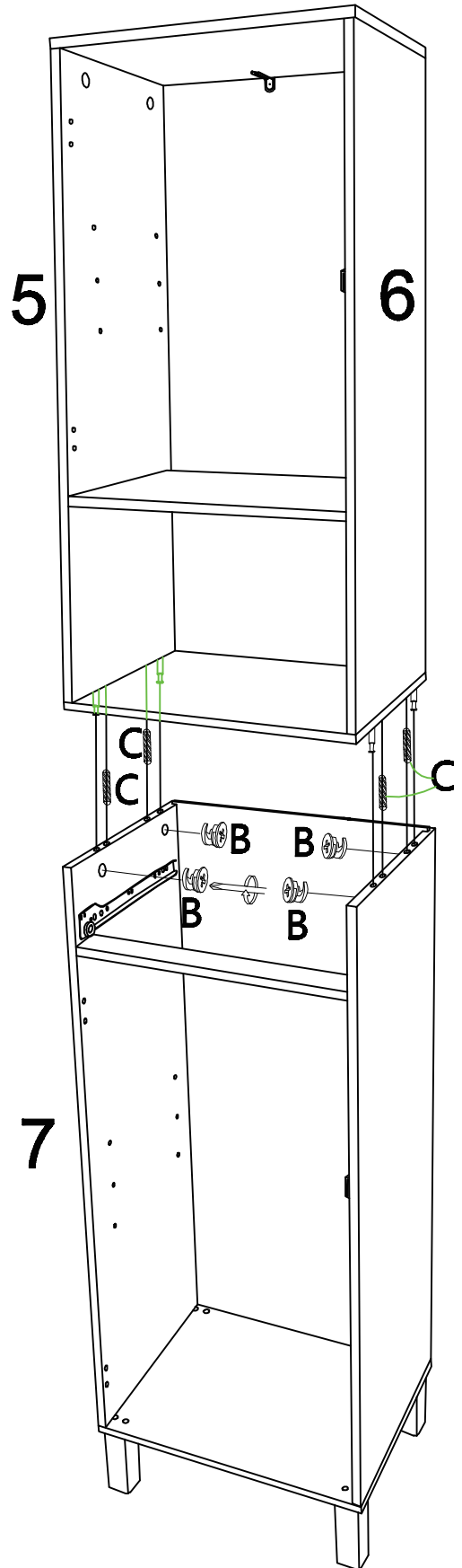
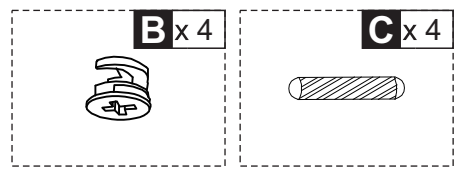
M4\*35

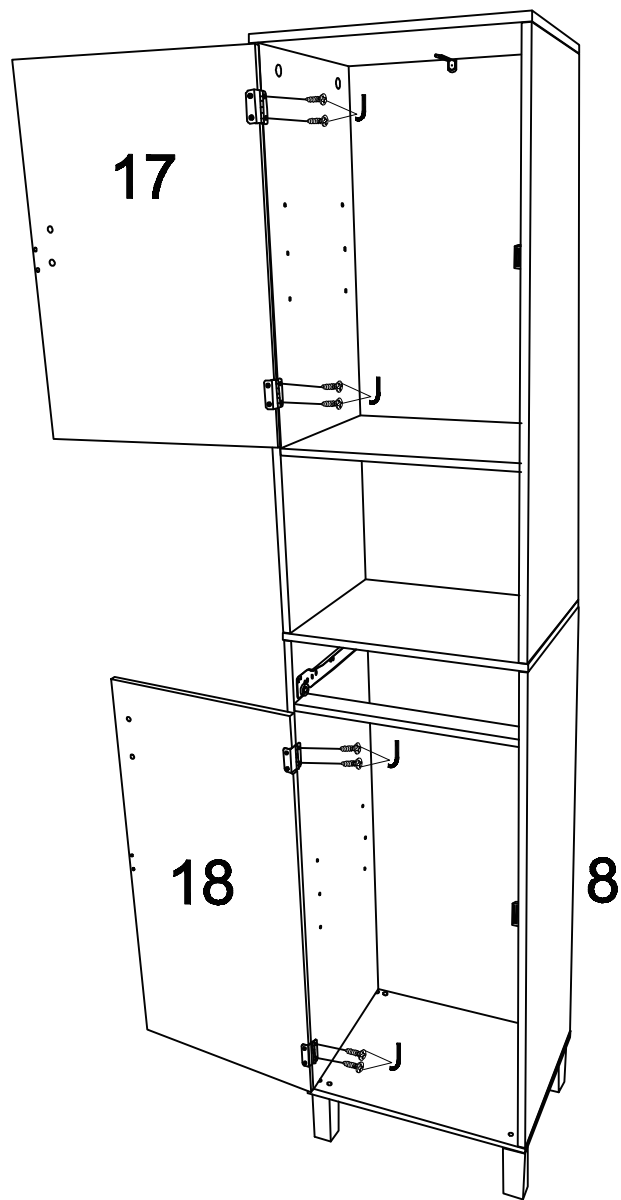
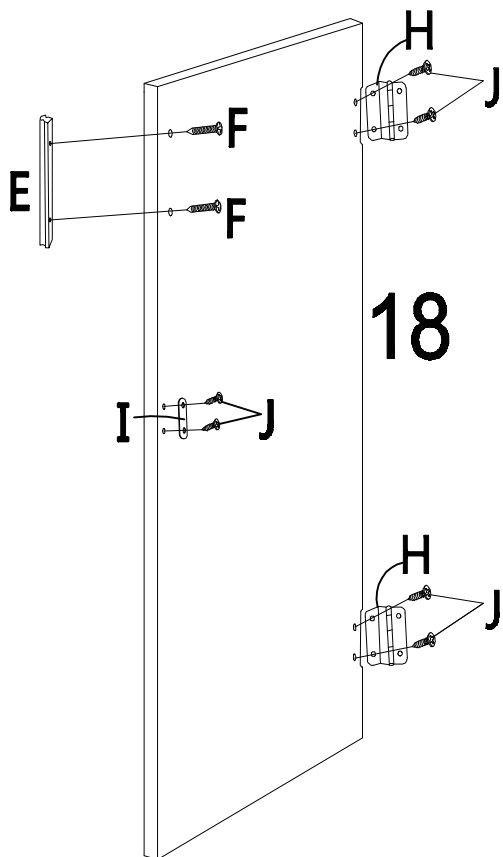
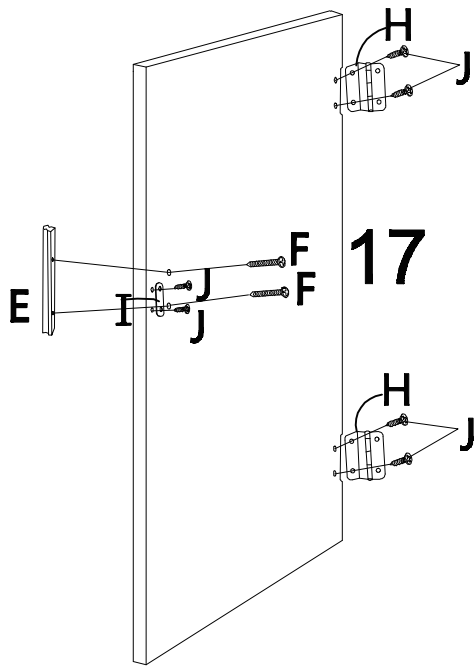
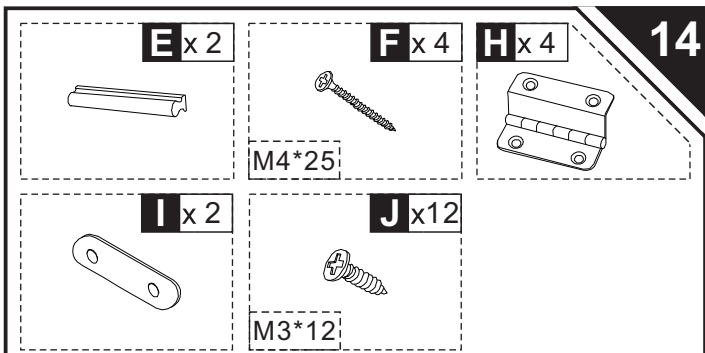


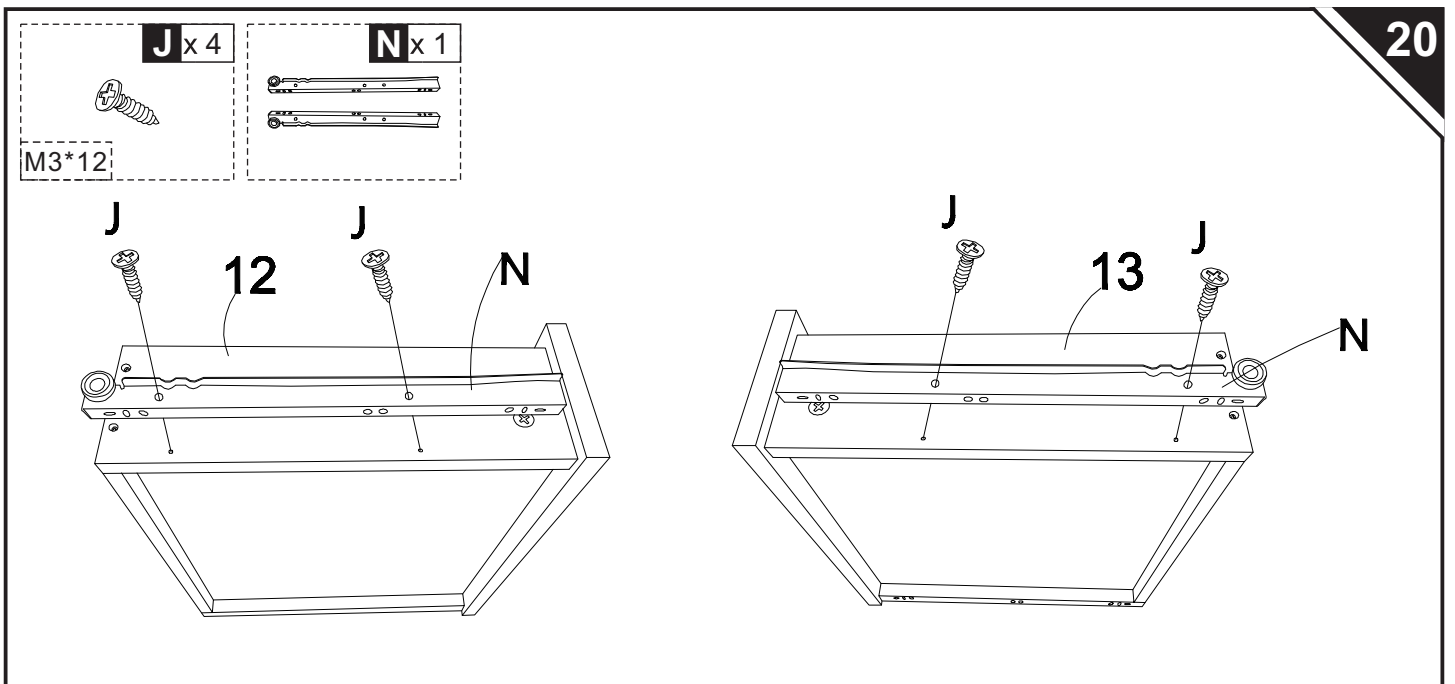
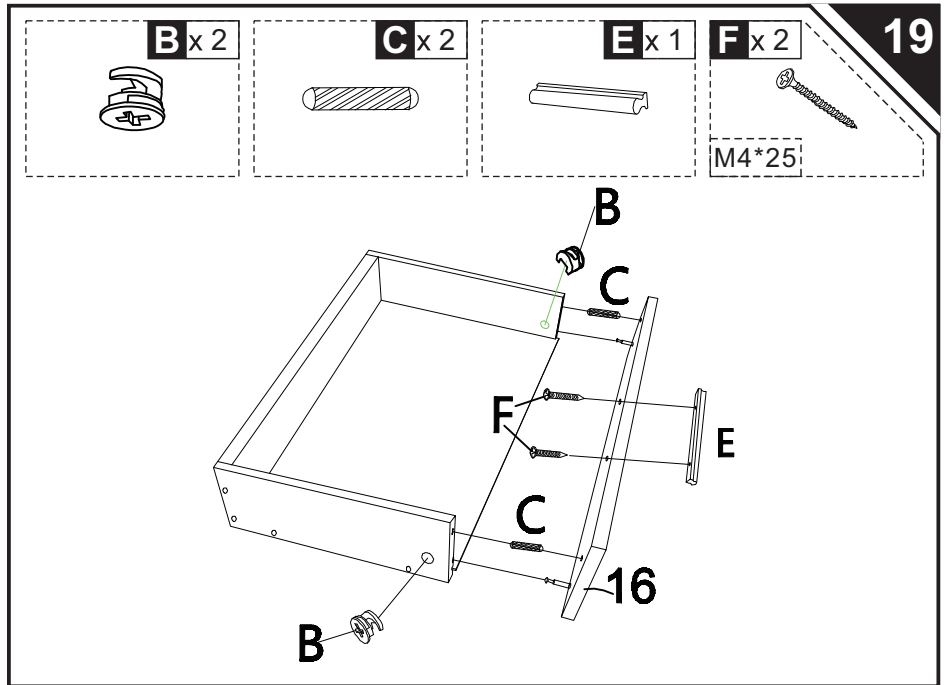
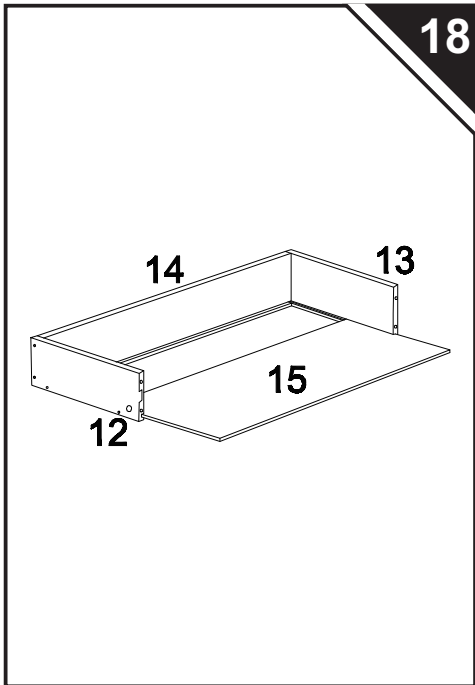
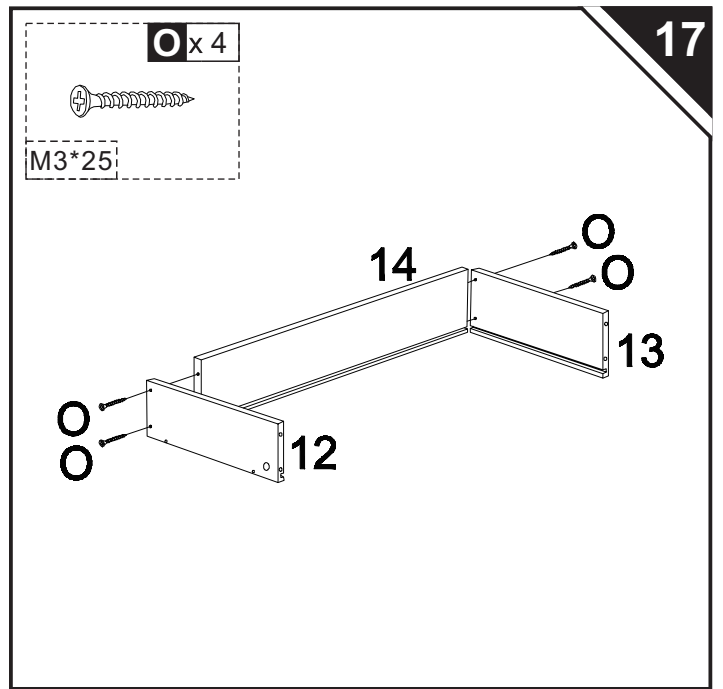
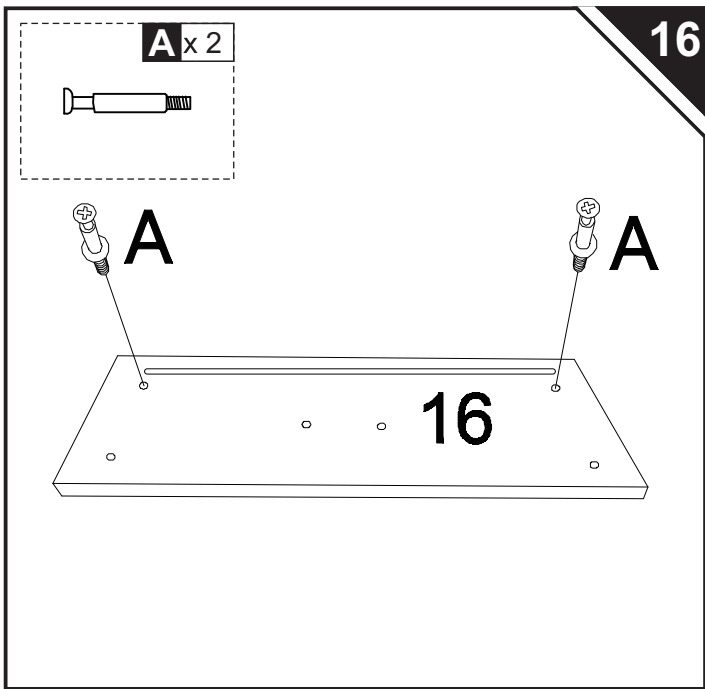
12



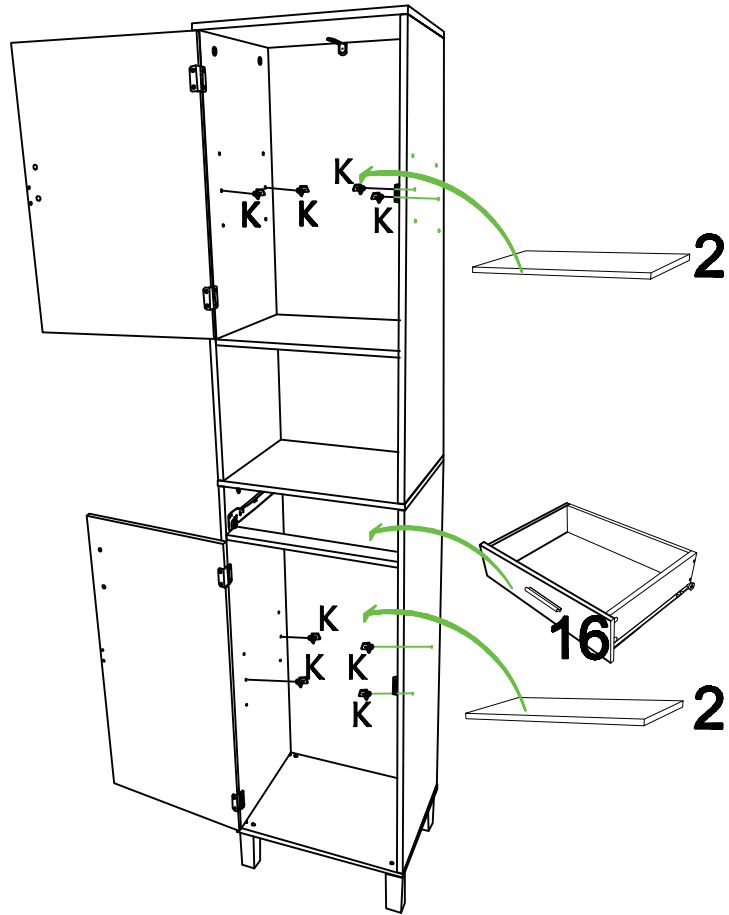
13







K x 8



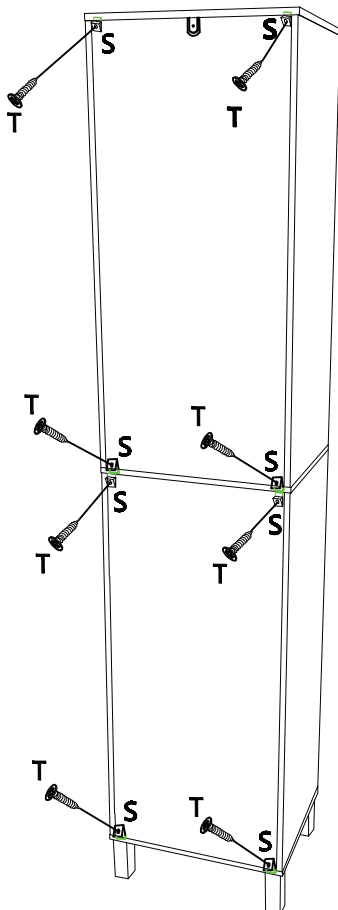
S x 8



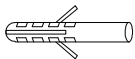
T x 8



M3\*14



Q x 1



R x 1



M4\*40

