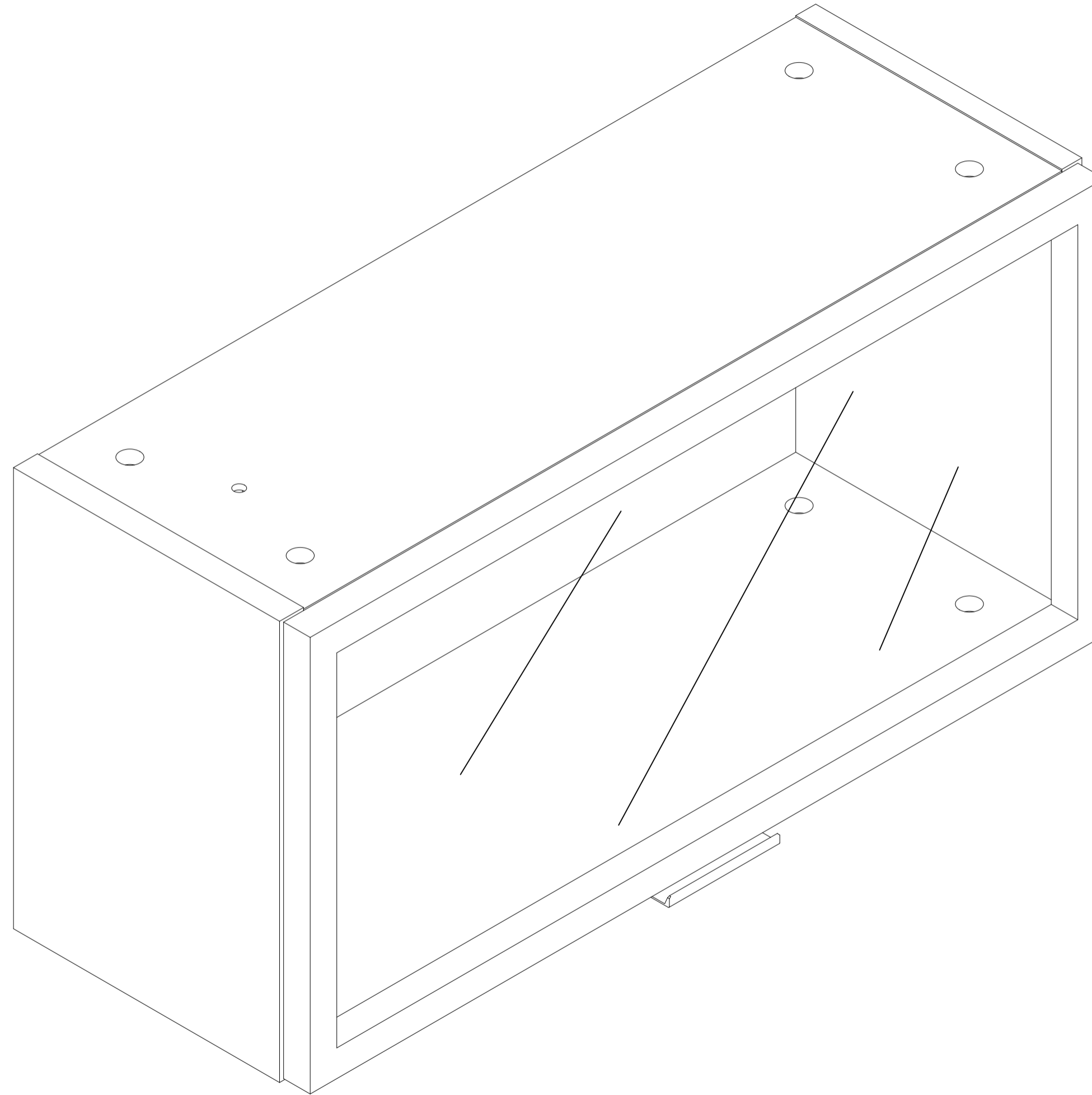
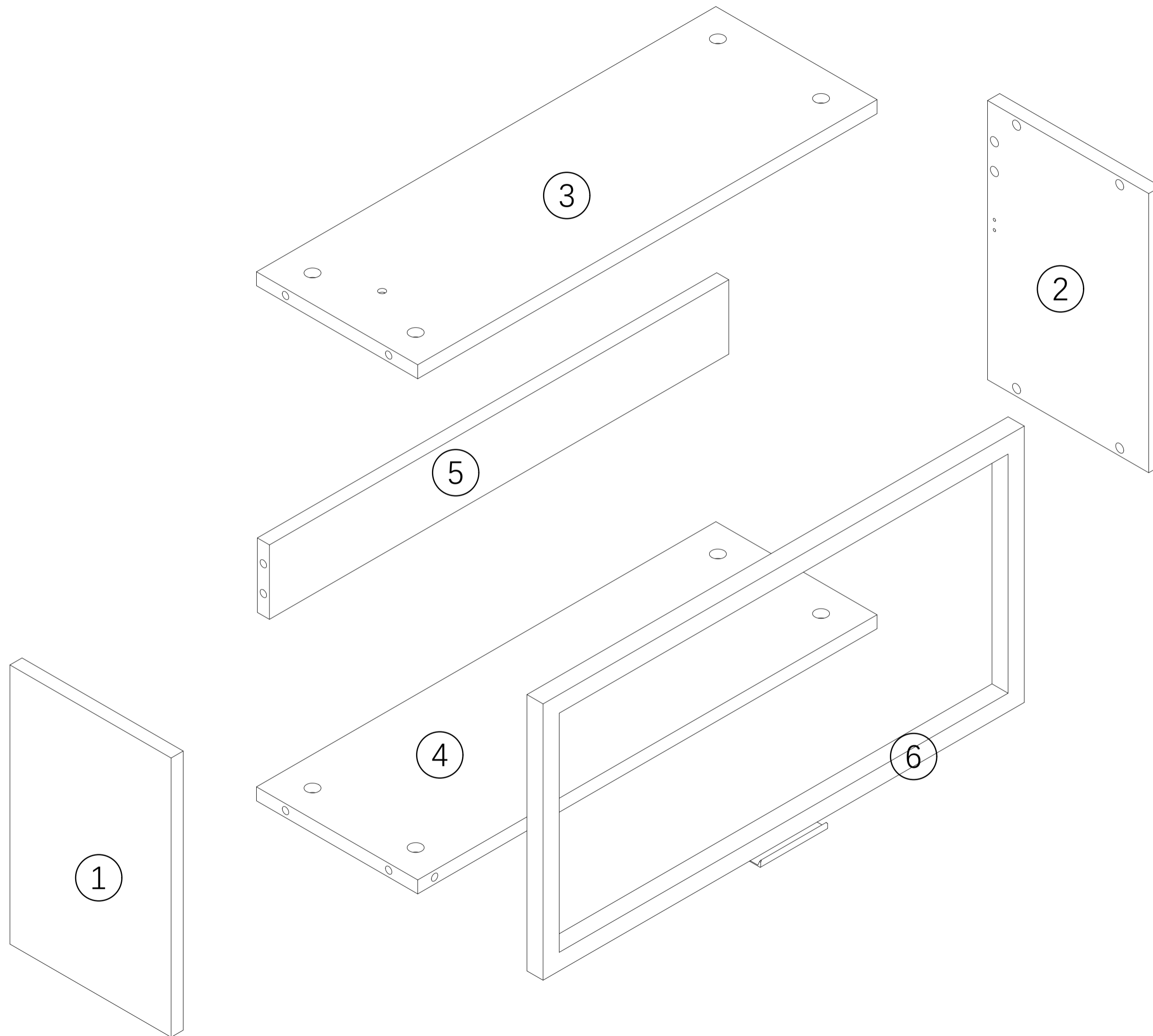
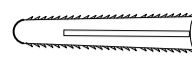
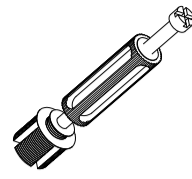

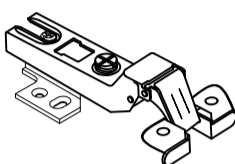
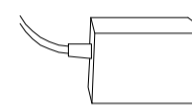

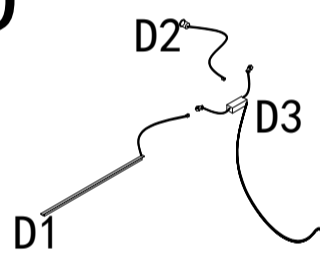
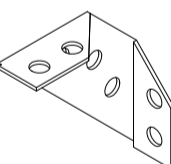

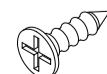


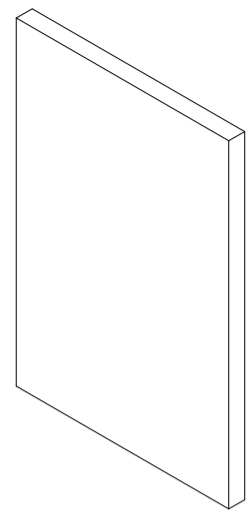
BSS02-W331Jan09FP-BK





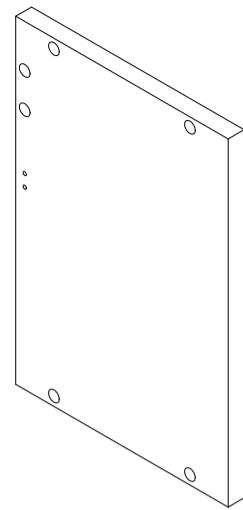
H  6PCS	A  12PCS
I  4PCS	B  2PCS
 1PCS	C  12PCS
D  1PCS	
E  2PCS	
F 4*50  6PCS	
G 3.5*14  16PCS	

1



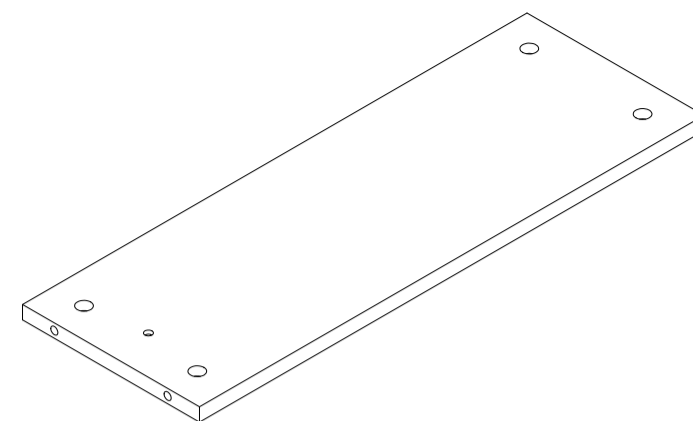
300*200 1PS

2



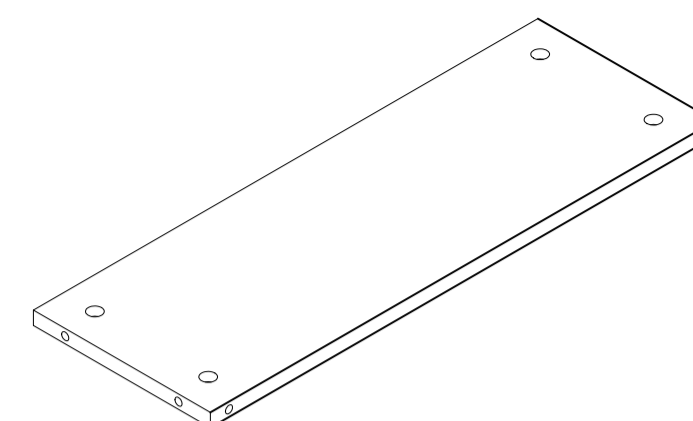
300*200 1PS

3



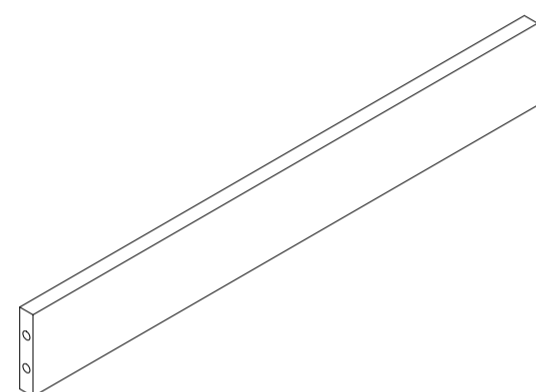
570*200 1PS

4



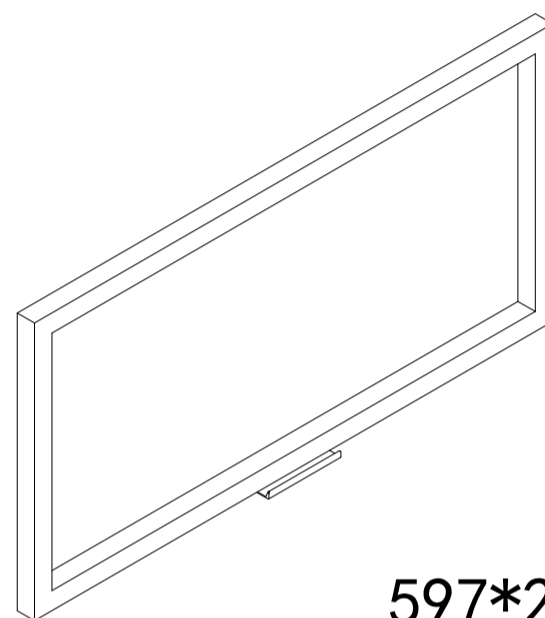
570*200 1PS

5



570*80 1PS

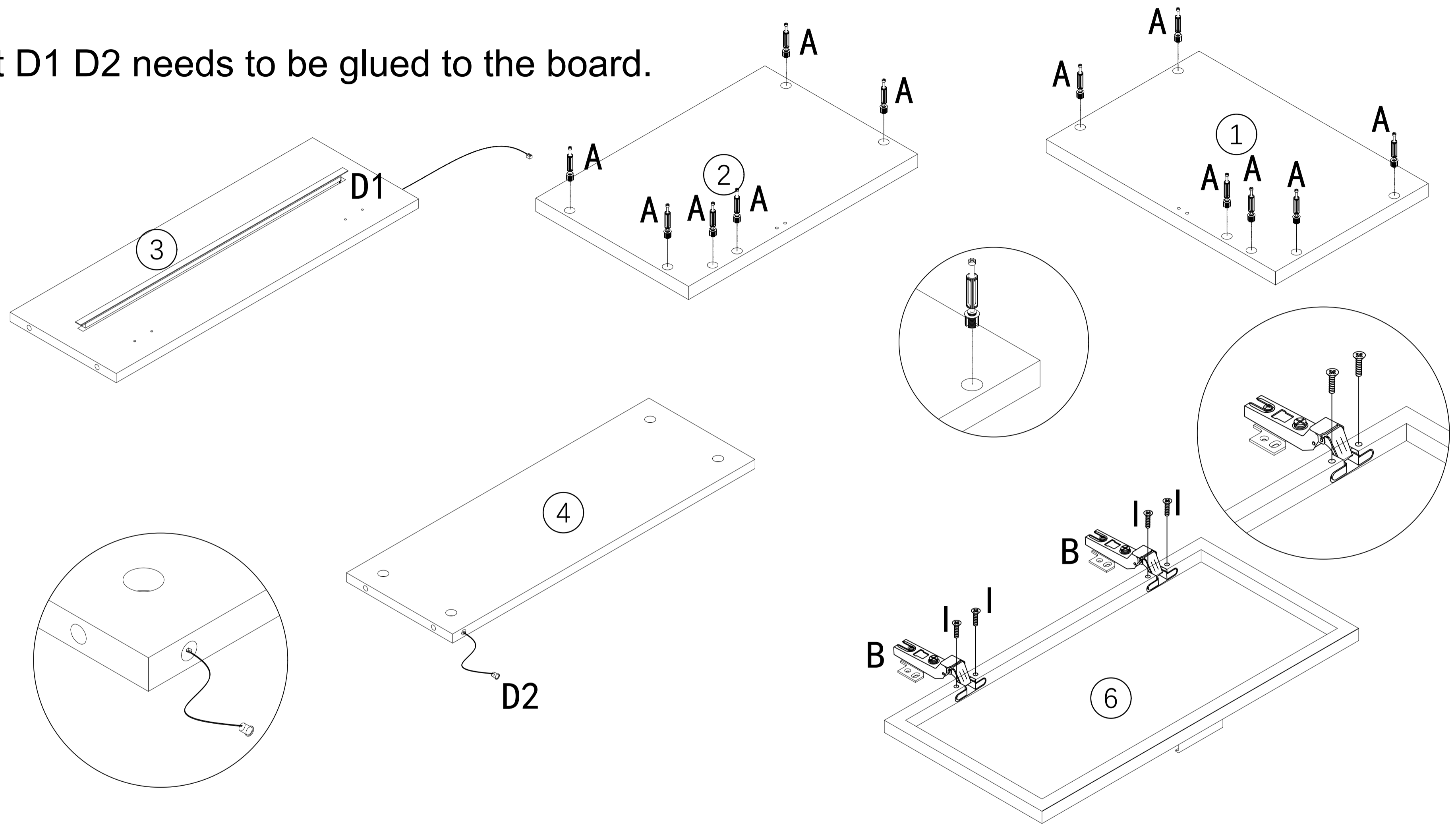
6

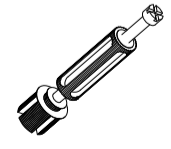
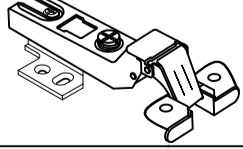
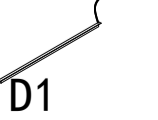


597*297 1PS

1

Part D1 D2 needs to be glued to the board.





	A*12
	B*2
	D1*1

put A on board (1)(2)

put B on board (6)

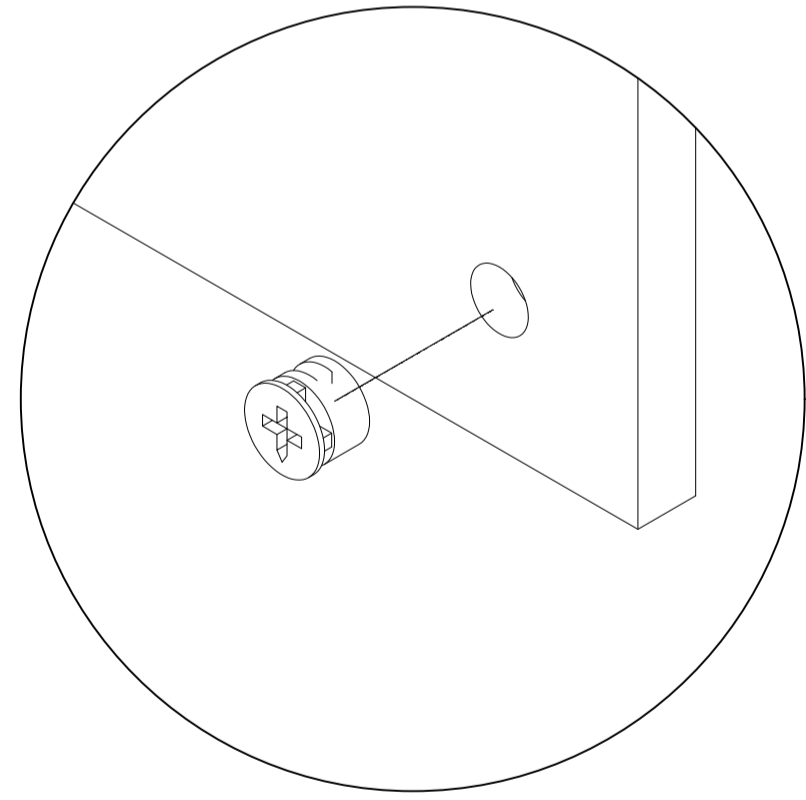
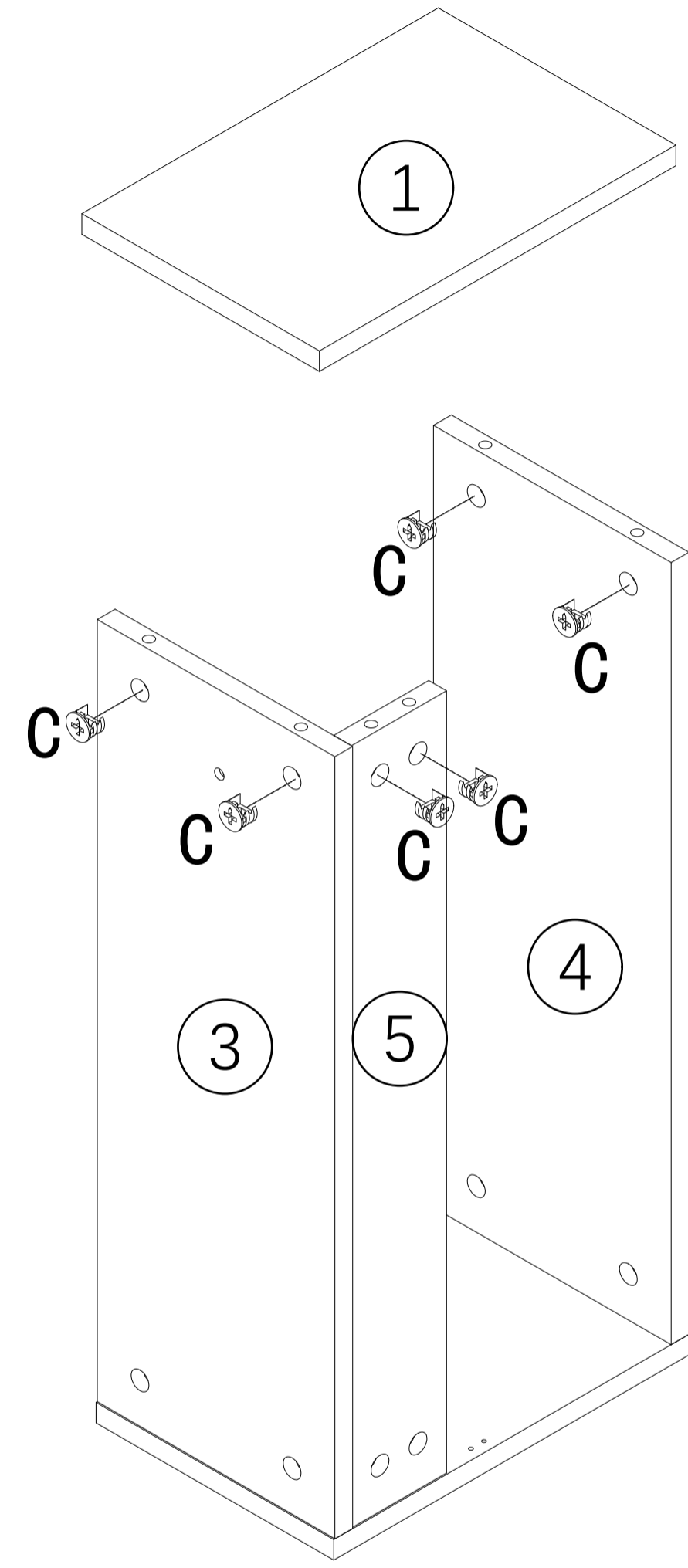
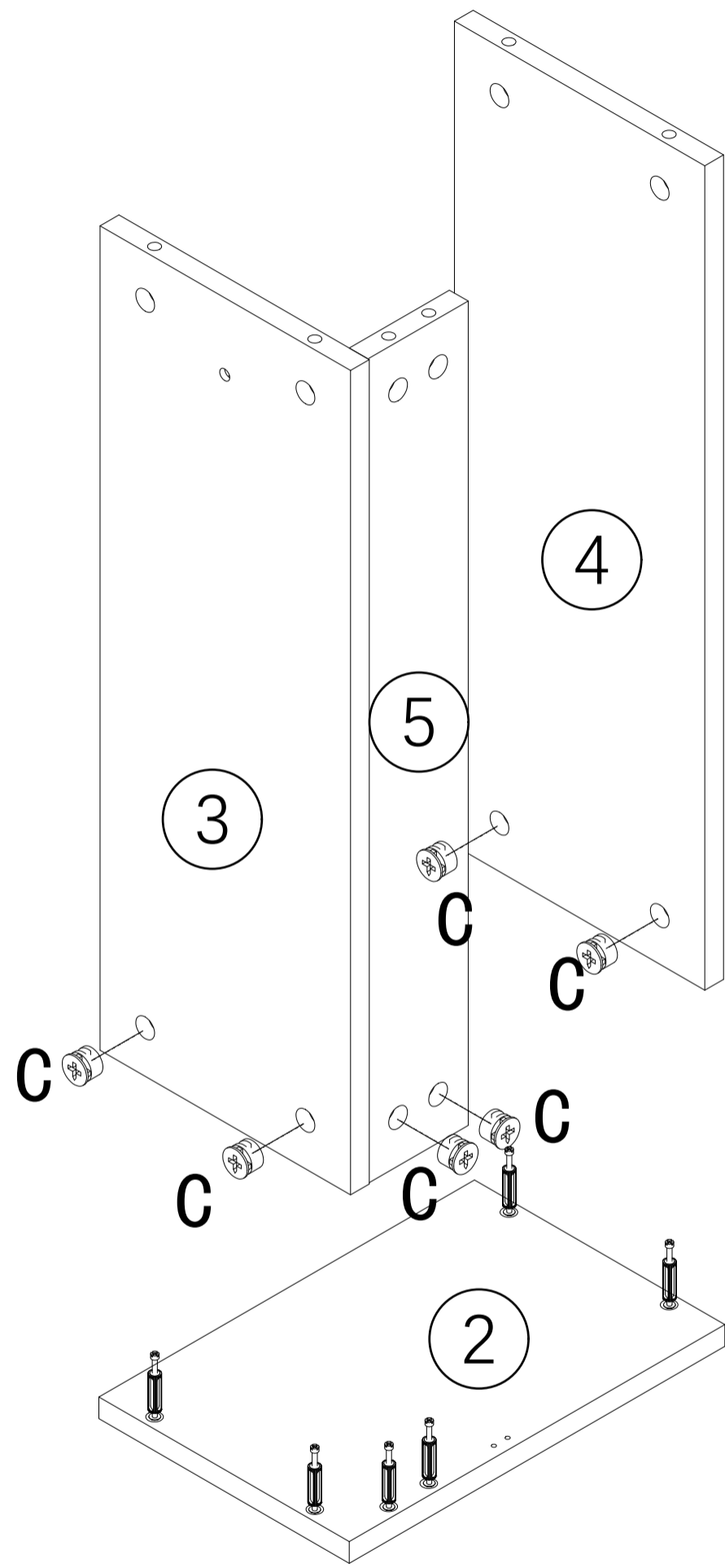
put D1 on board (3)

	I*4
	D2*1

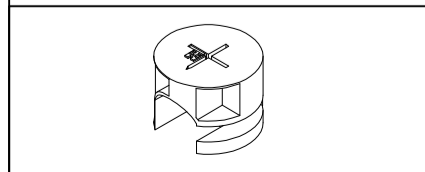
put I on board (6)

put D2 on board (4)

2



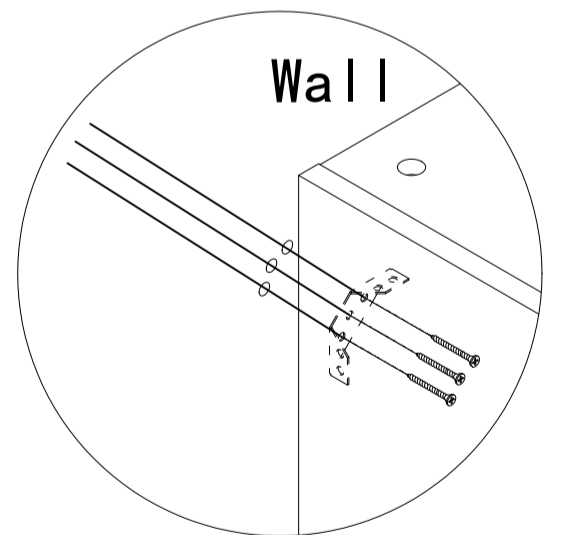
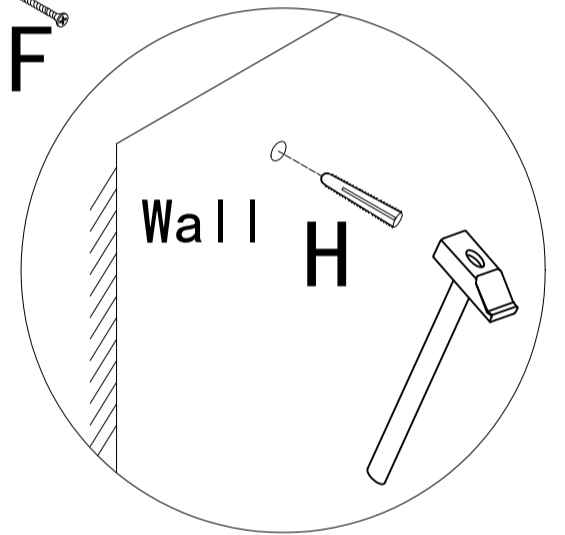
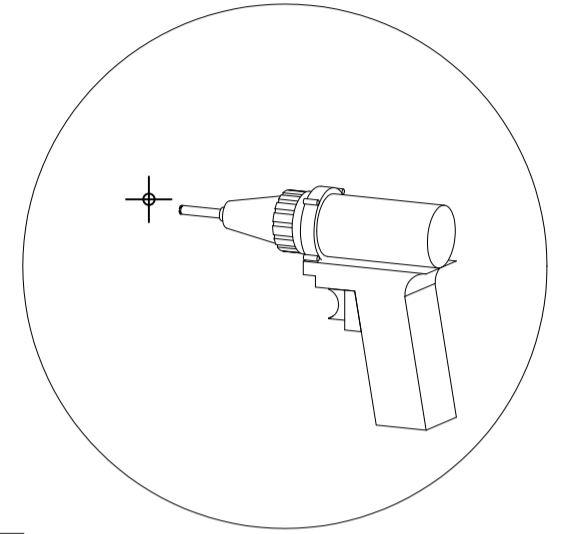
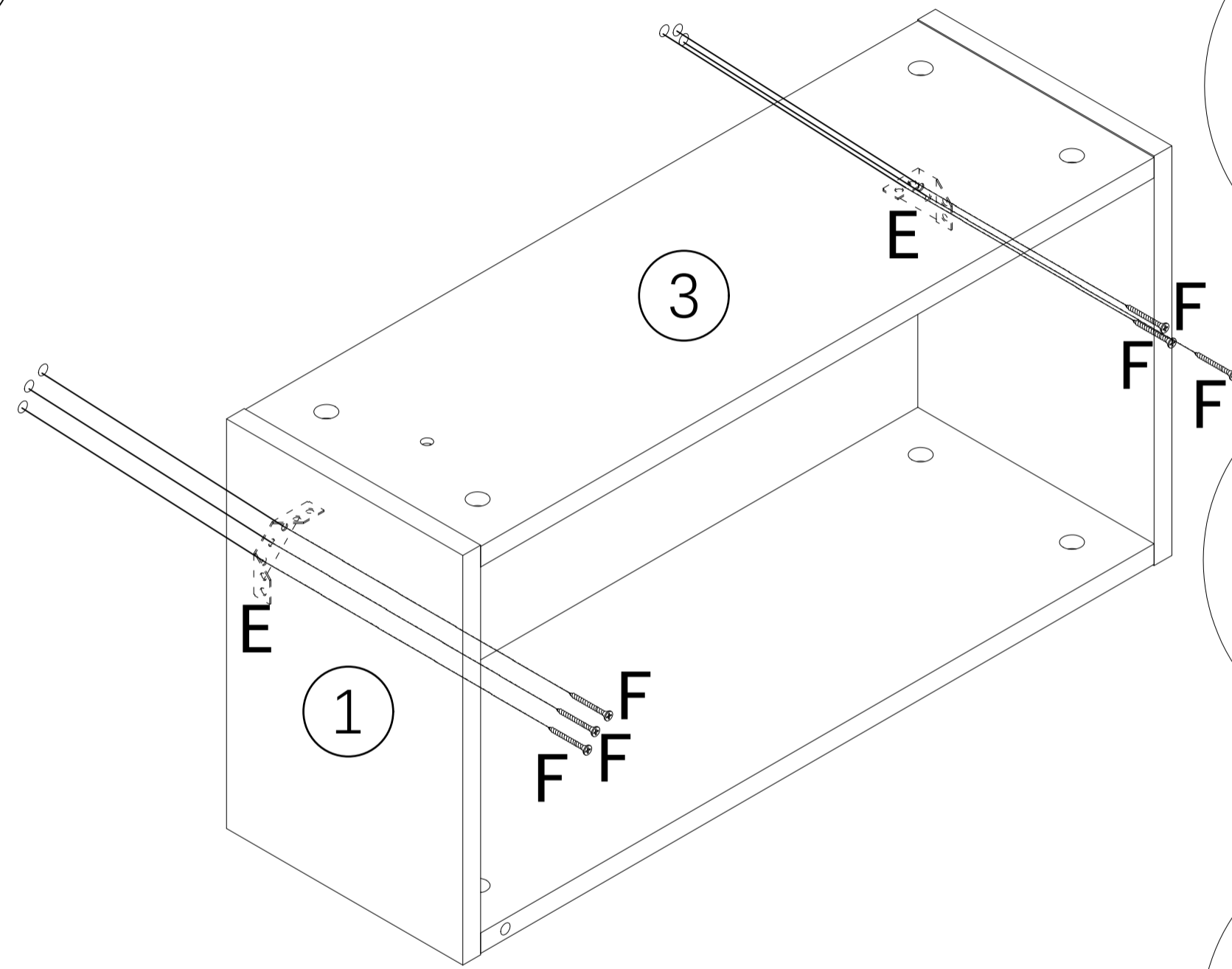
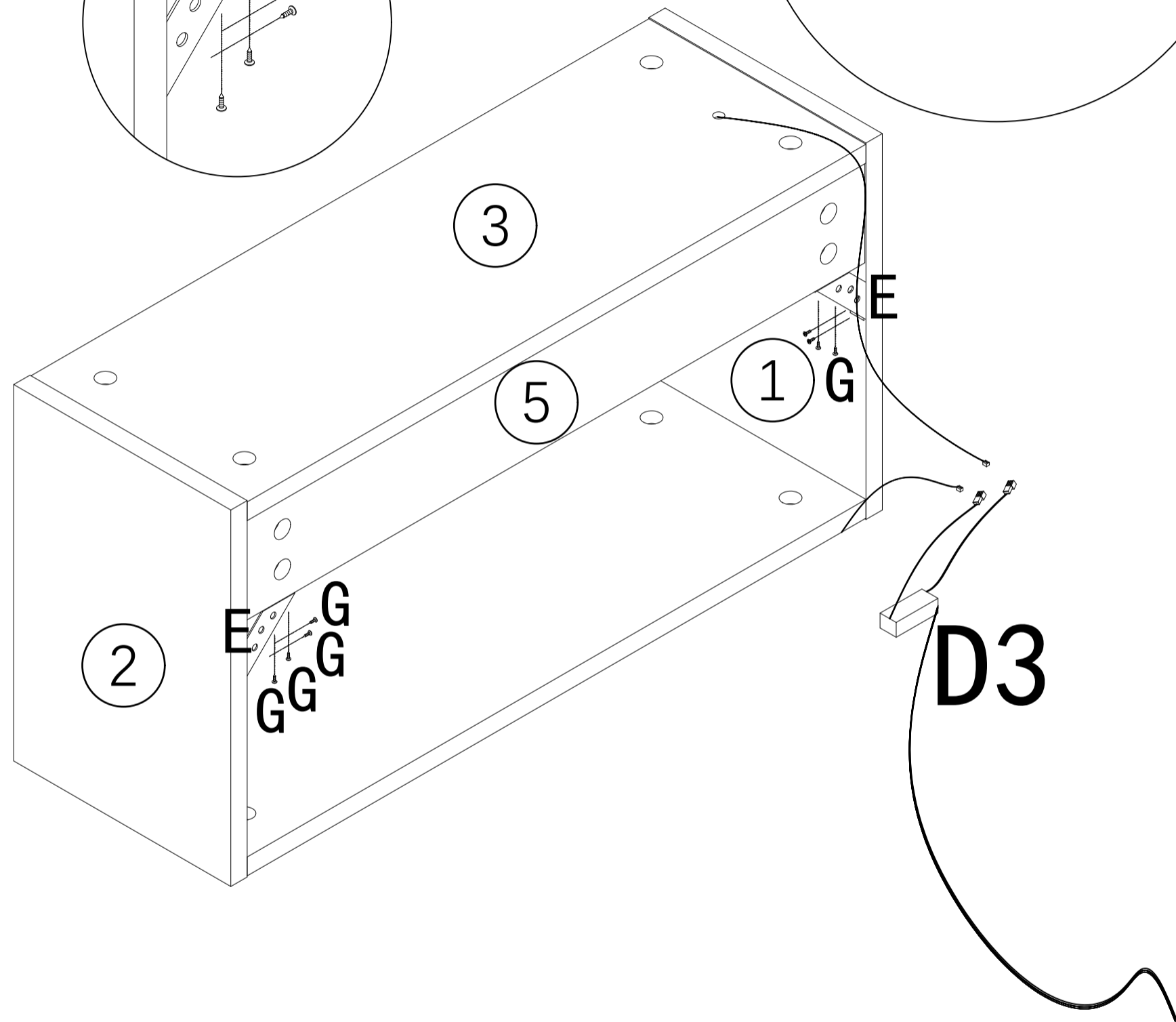
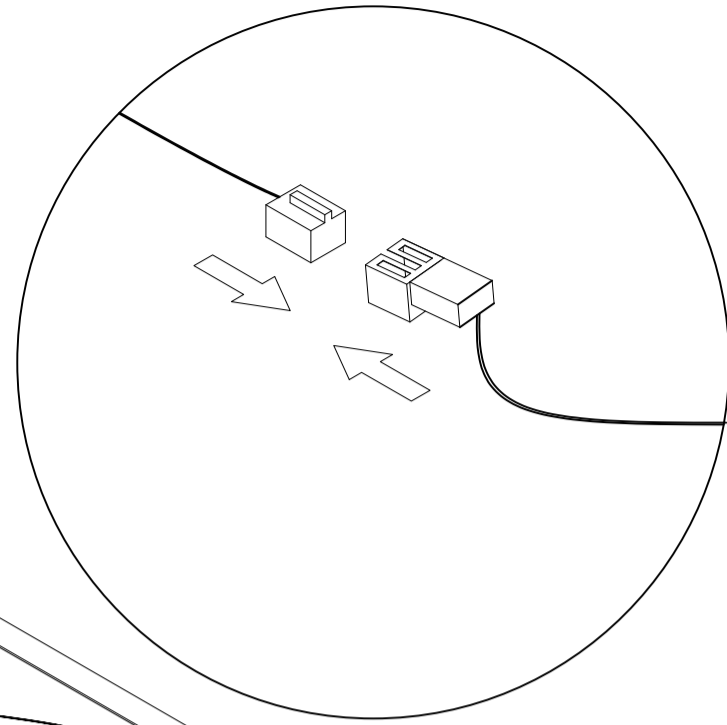
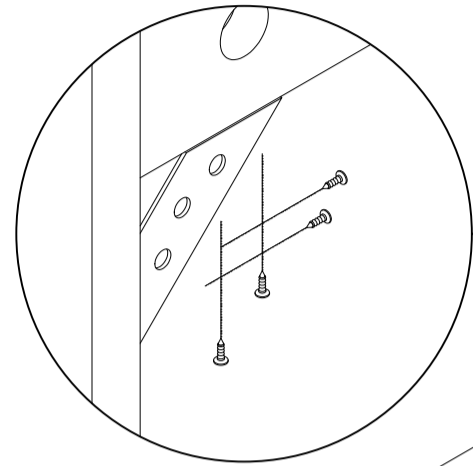
Make sure the arrow on the screw align to the hole on the side.

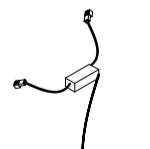
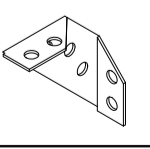



C*12



put C on board (3)(4)(5)

3



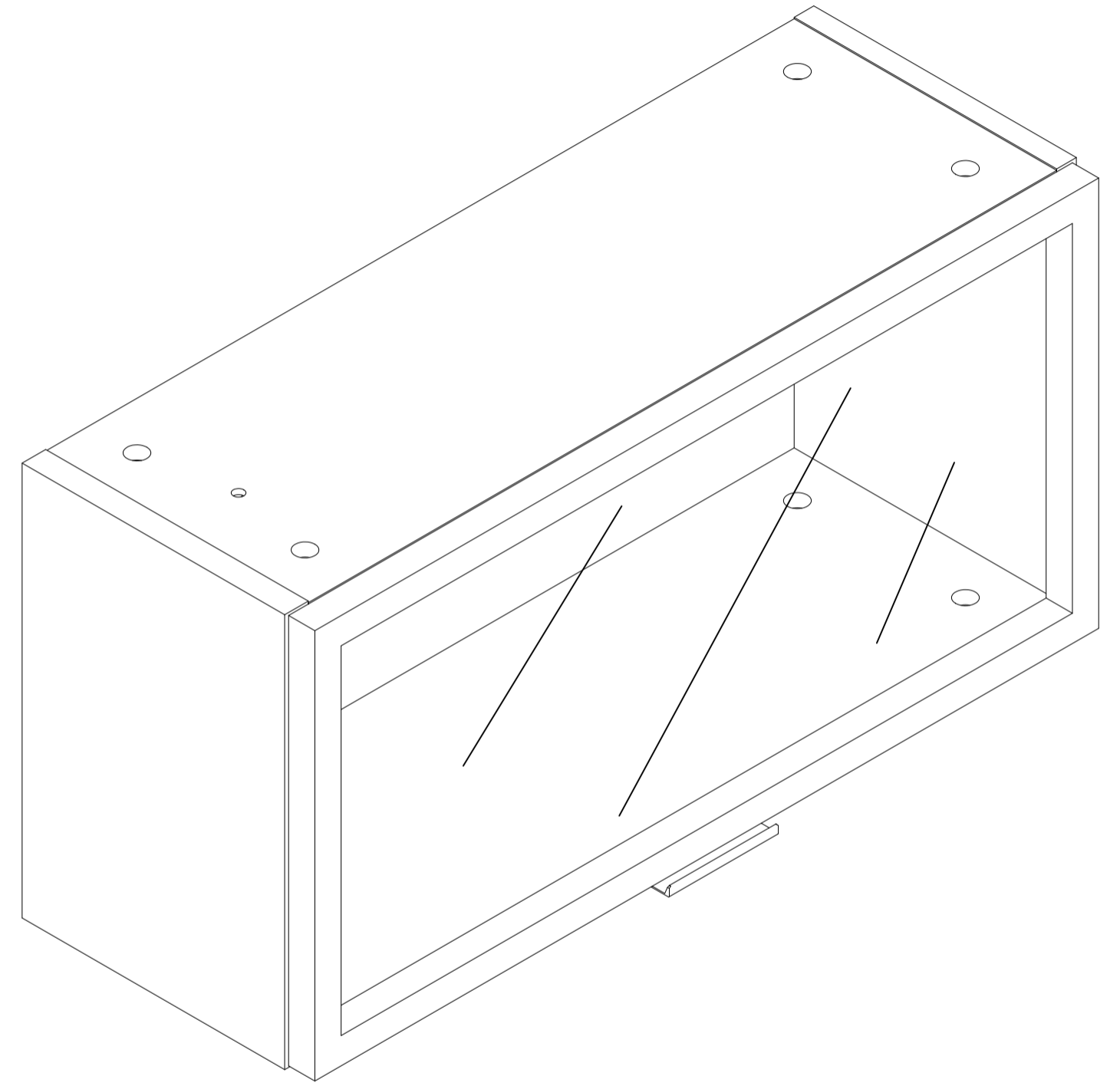
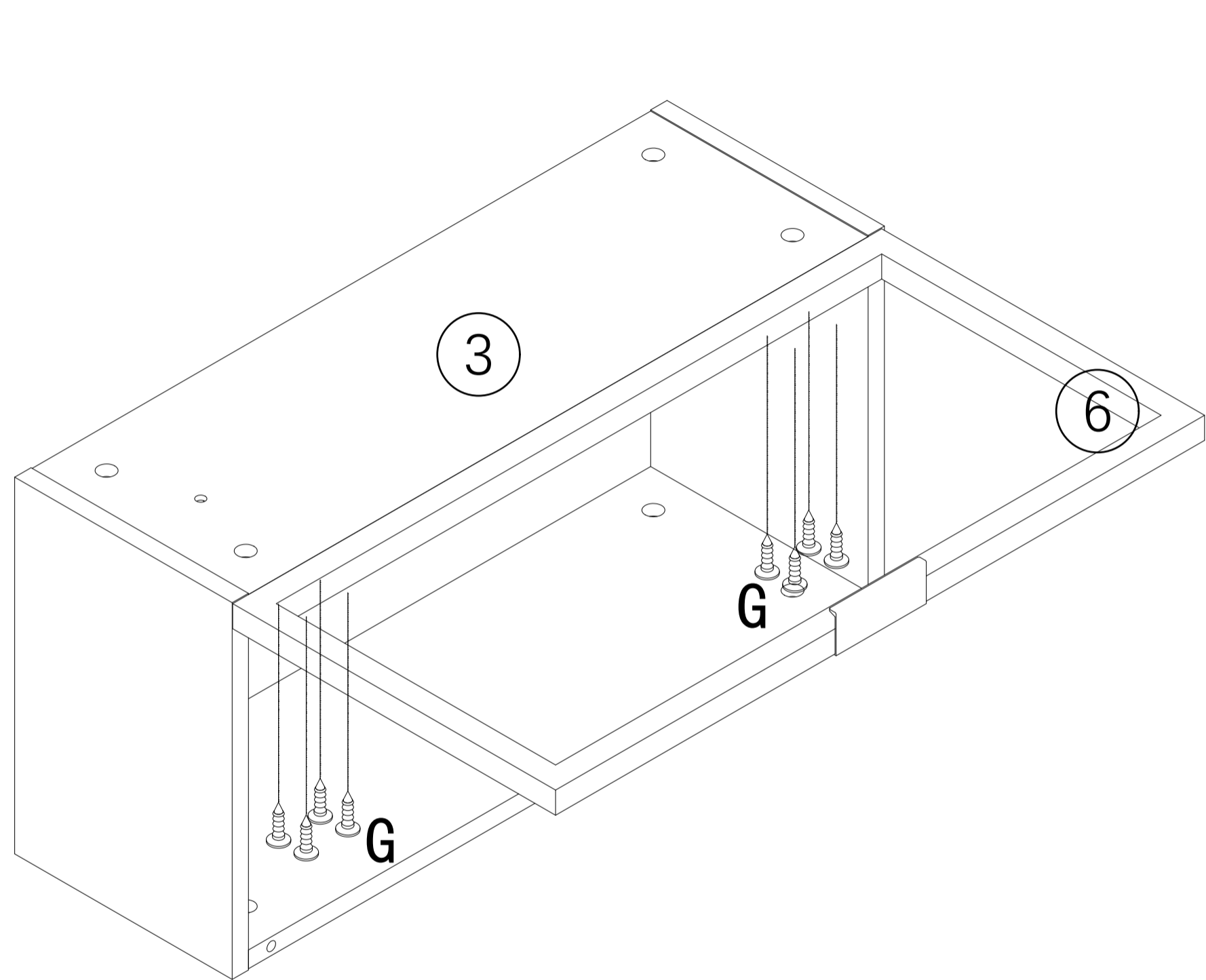
	D3*1
	E*2
	F*6

put E on board ①②⑤

	G*8
	H*6

put G on board ①②⑤

4



G*8

put G on board ③