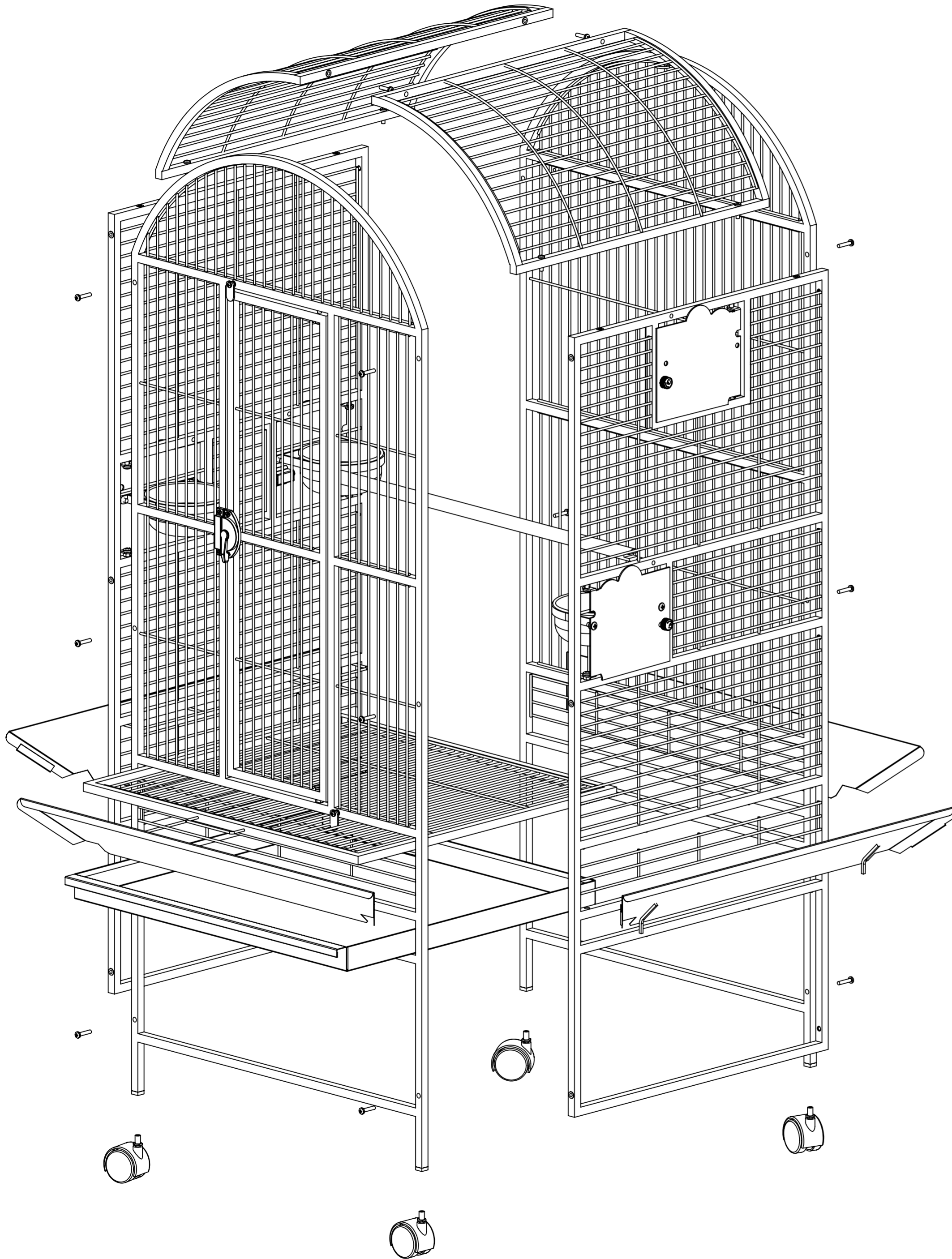


Box List



Part name	Quantity	Worker	Q C	ganger
Box 1/2				
Front wire(前网)	1pcs			
Back wire(后网)	1pcs			
Left wire(左网)	1pcs			
Right wire(右网)	1pcs			
Grill(密网)	1pcs			
Seed guards(裙边)	4pcs			
Assembly Instructions(包装图)	1pcs			
Perch(木棍)	1pcs			
Box 2/2				
Top wire(盖网)	2pcs			
Tray(铁盆)	1pcs			
Wheels(1.5寸8厘米脚轮)	4pcs			
Feeders(5寸杯)	3pcs			
Holder(5寸合圈)	3pcs			
Screw bag(螺丝包)	1pcs			

1. Screw 2x wheels onto bottom of front wire then 2x wheels onto bottom of back wire.
2. Attach front、back、left、right wire together with M5X25 screws.
3. Assembly top wire (2x top wire meshes) on top of the body with M5X25 screws.
4. Slide grill in space underneath the front door.
5. Put 4x seed guards in place above bar around the body.
6. Slide tray in space underneath front seed guard.
7. Screw 3 x door feeders on inside of 3 x doors.
8. Open the front door and put perch from left to right inside the body.