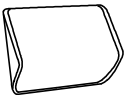







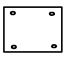



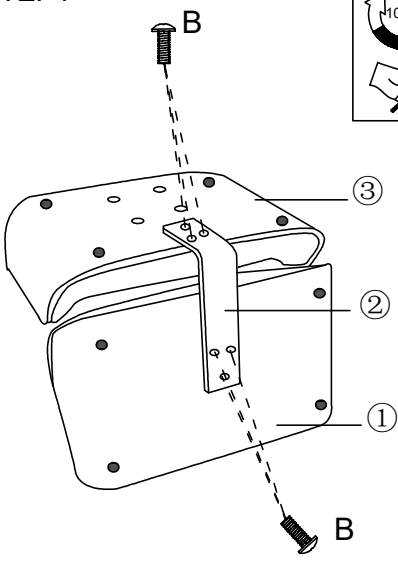


Assembly Instruction

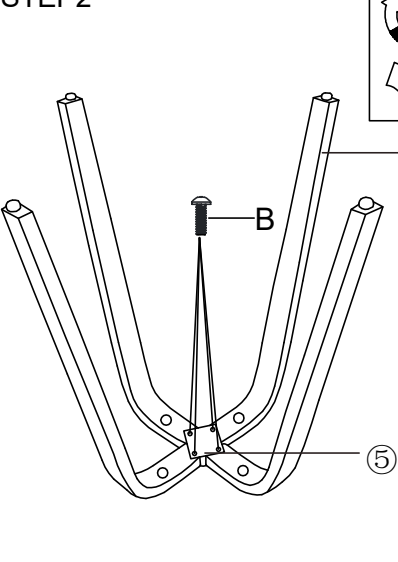
①*1pc		A*4+1EXT	 M6*35MM
②*1pc		B*16+1EXT	 M6*20MM
③*1pc		C*2+1EXT	 M6*16MM
④*4pcs		D*2	
⑤*1pc		G*1	 M6
⑥*1pc			
⑦*1pc			

STEP1



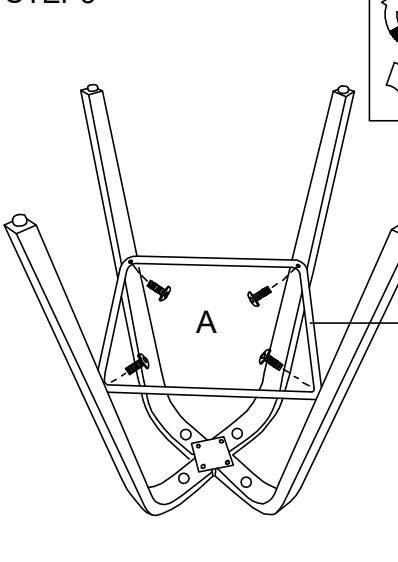
100%

STEP2



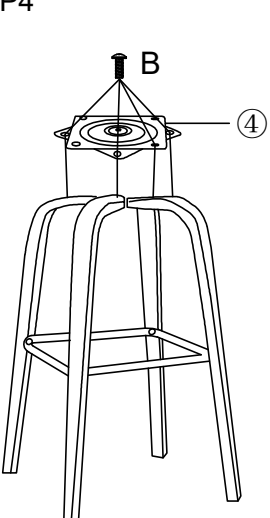
80%

STEP3



80%

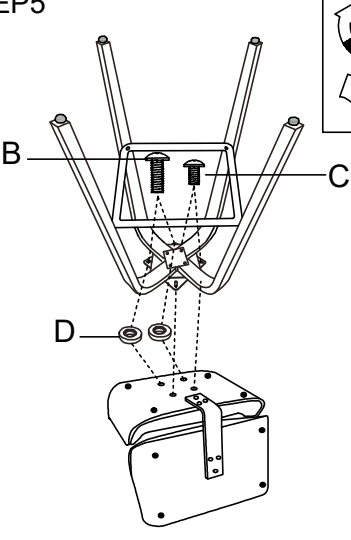
STEP4



100%

Fasten All screws indicate on Step 1& Step2.

STEP5



100%

STEP6

