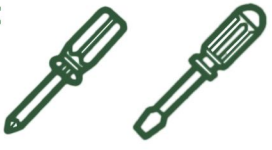


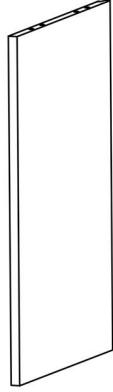
TOOLS:



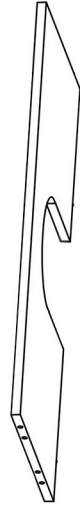
1



2



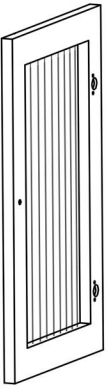
3



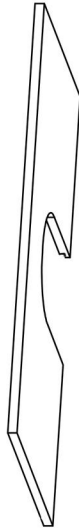
4



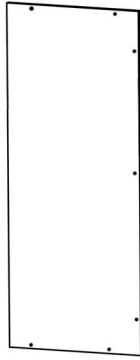
5  
×  
2



6



7  
×  
2



8



9  
×  
2



UNIT:MM

A  
×  
8



M6\*35

B  
×  
8



φ 15\*10

C  
×  
16



φ 6\*30

D  
×  
4



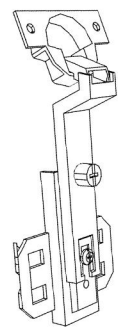
M4\*30

F  
×  
24



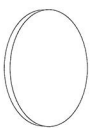
M3. 5\*12

G  
×  
4



UNIT:MM

H  
×  
2



J  
×  
8



M6\*12

K



M4

N  
×  
2



φ 20\*25

O  
×  
2

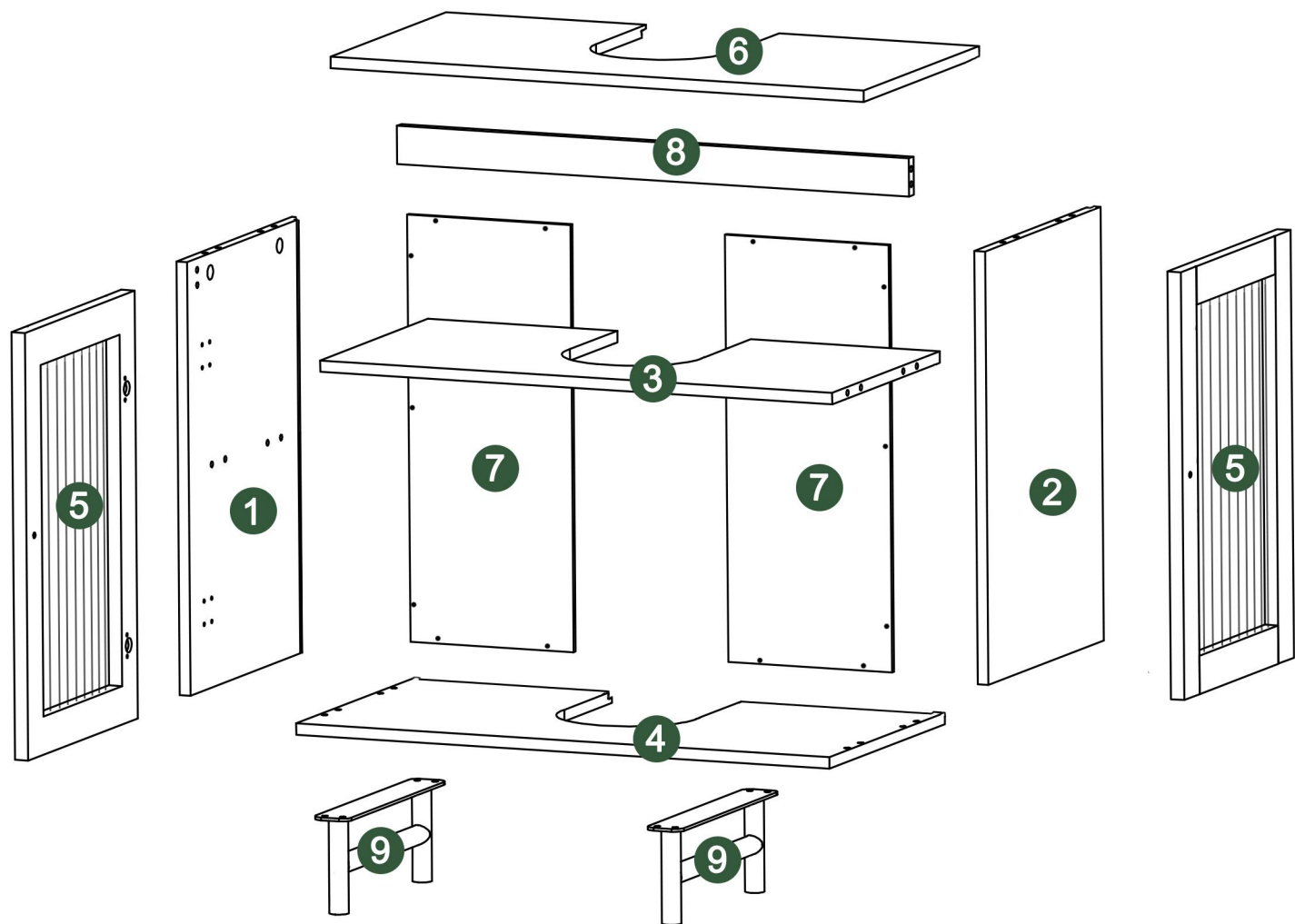


M4\*16

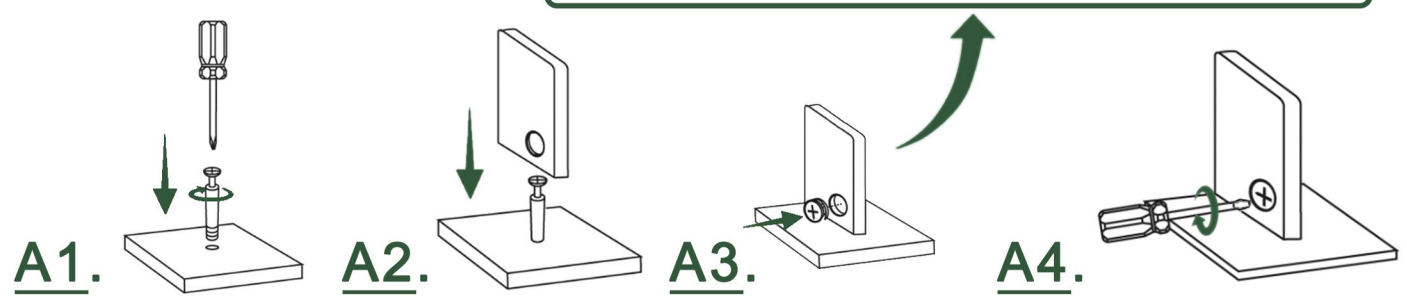
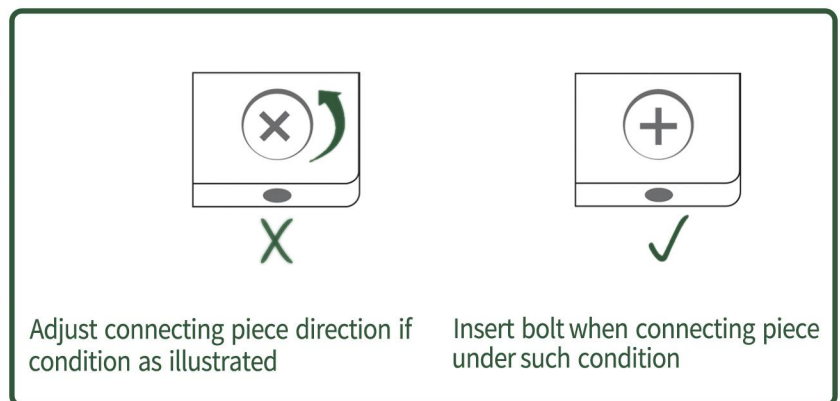
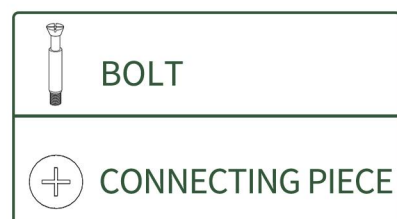
P  
×  
14



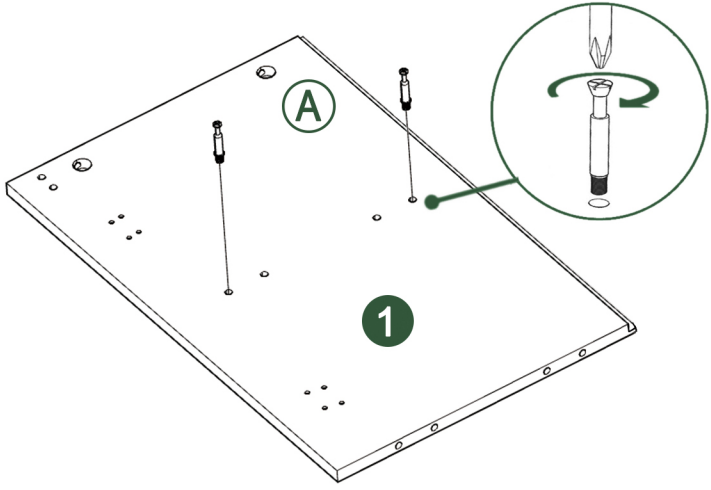
M2. 5\*10



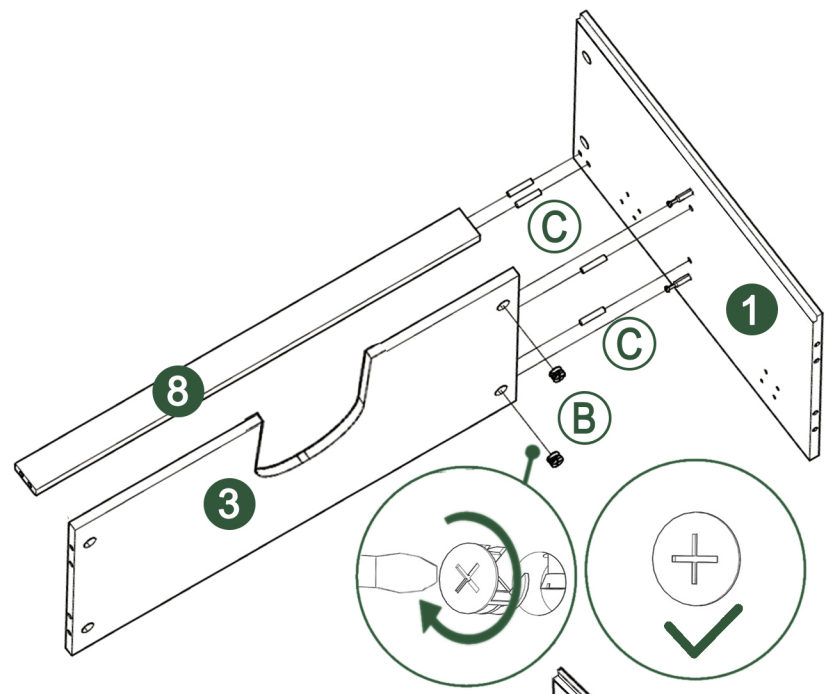
**BOLT INSTALLATION AS BELOW:**



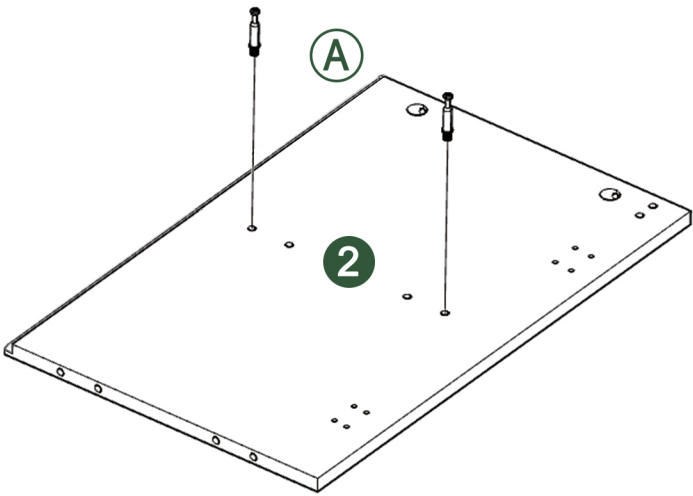
1.



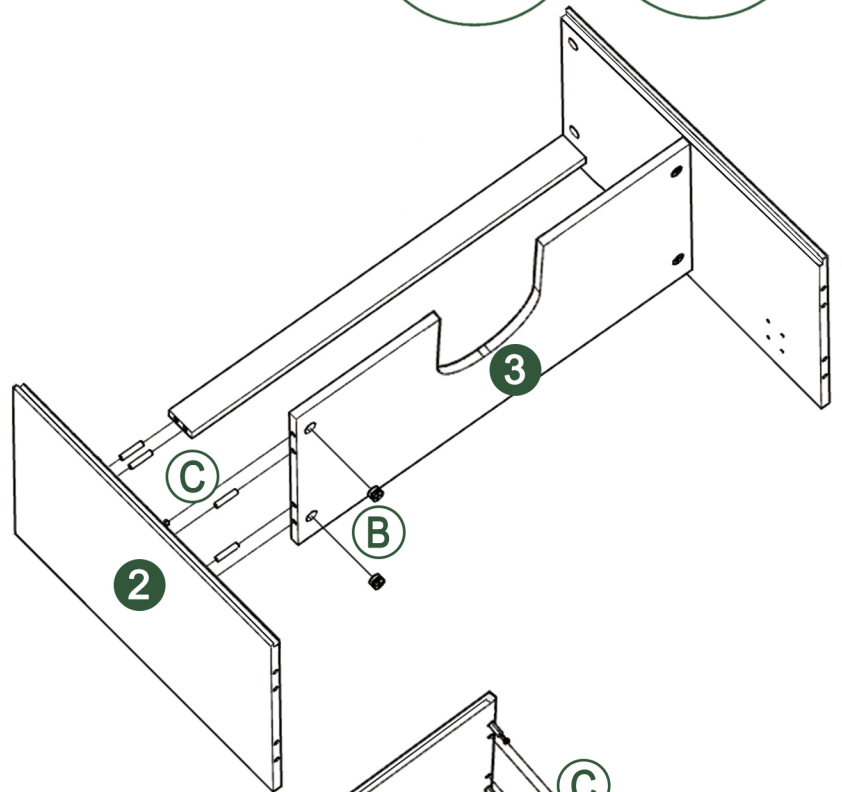
2.



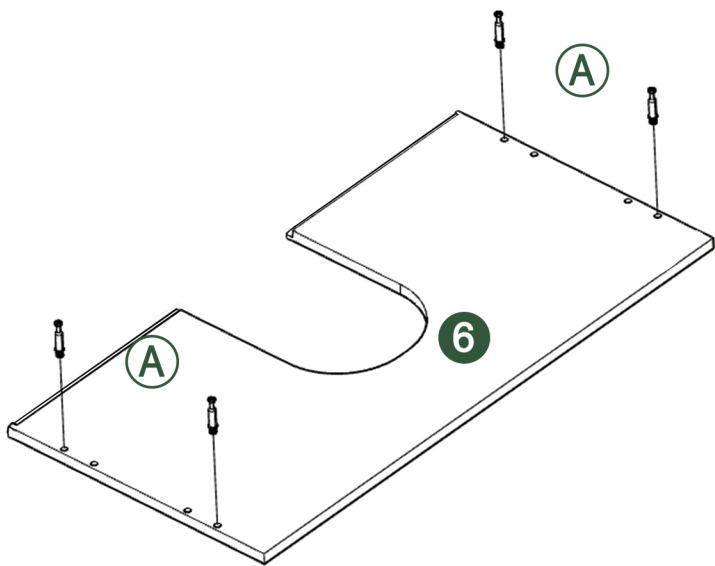
3.



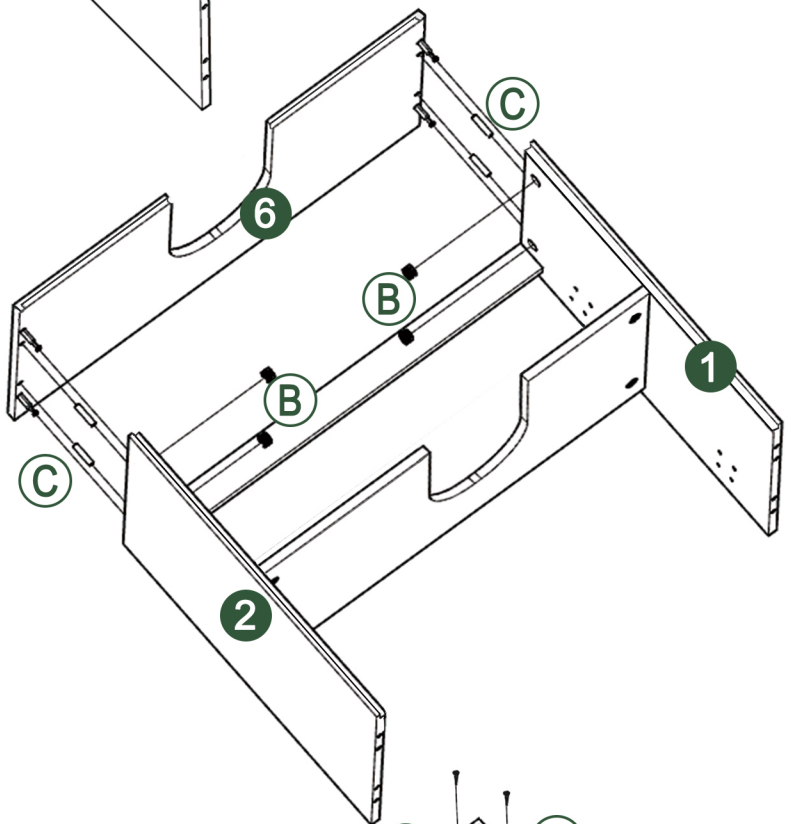
4.



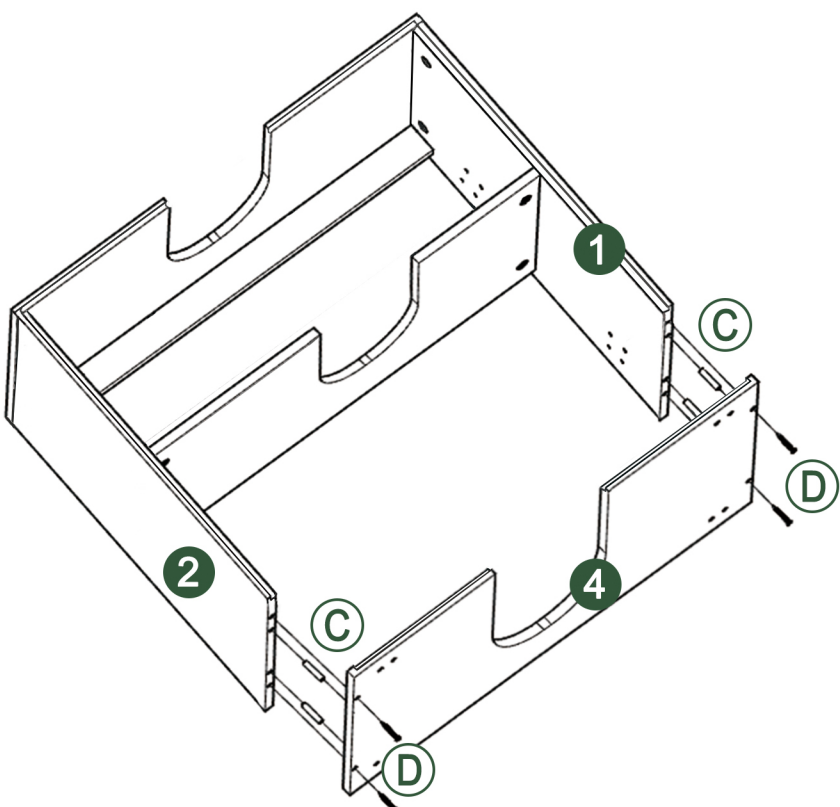
5.



6.



7.



8.

