

INSTRUCTION MANUAL

**LED MIRROR
10NBGLM3033**

BEFORE STARTING

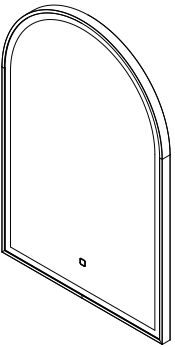
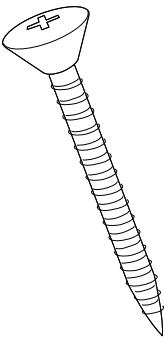
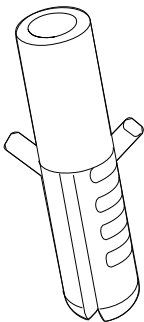
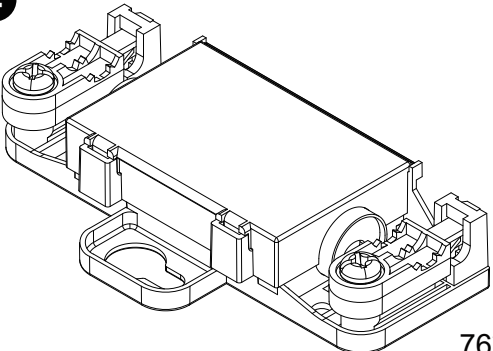
Before Using Product

- Read each step carefully before starting. It is very important that each step is performed in the correct order. If these steps are not followed in sequence, assembly difficulties will occur.
- Make sure all parts are included.
- Work in a spacious area and near where the unit will be used, preferably on a carpet, or use a piece of the cardboard packaging to protect your floor and product.
- For a smooth assembly process, we suggest you keep a lite tightness for all the screws during assembly. After the whole product is assembled, firmly tighten all the screws.

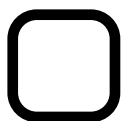
WARNING

- Do not allow children to climb on unit.
- Avoid sharp objects or corrosive chemicals to prevent damage to the product.
- During assembly, keep parts and packaging materials away from children and pets as there could be potential injury and choking hazards.
- Please make sure that all objects are removed before moving the assembled unit.
- The unit must be team lifted, not dragged or pushed. Failure to do so could cause instability, product collapse, and/or serious injury.
- Be careful when using power tools to assemble your furniture. Power tools may strip or damage the parts.

PART LIST

1  x1	2  x2 M4*40mm
3  x2 Φ8*38.5mm	4  x1 76*41*15mm

OPERATION INSTRUCTION

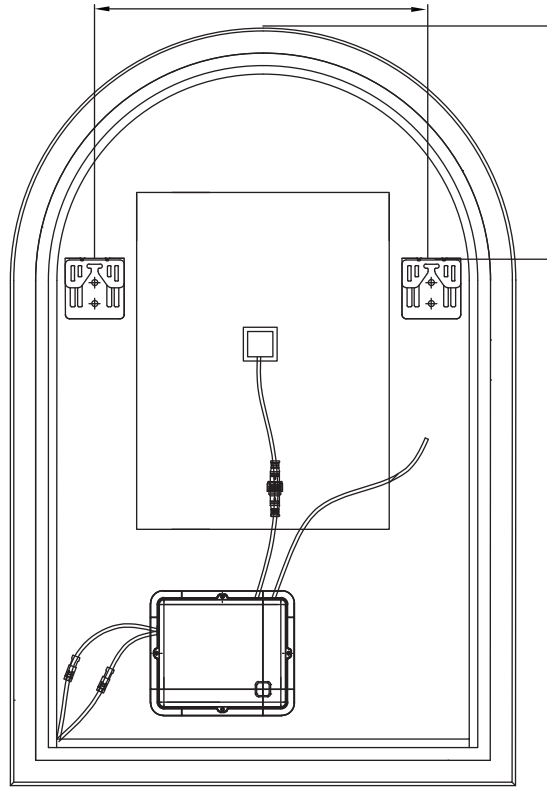


ON/OFF button

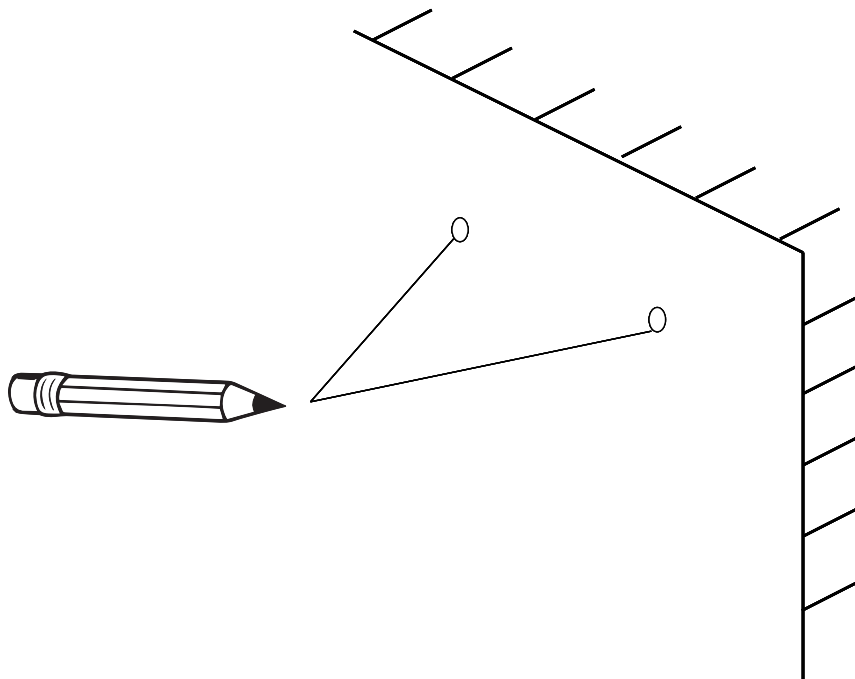


- Button lights up when connected to main supply.
- Touch the button to turn on/off the mirror
- Hold the button to adjust the brightness.
- Confirm the setting by removing your finger when it reaches the colour you need.
- The defogging function on the mirror will activate simultaneously with the lights and automatically turn off after 30 minutes of operation.

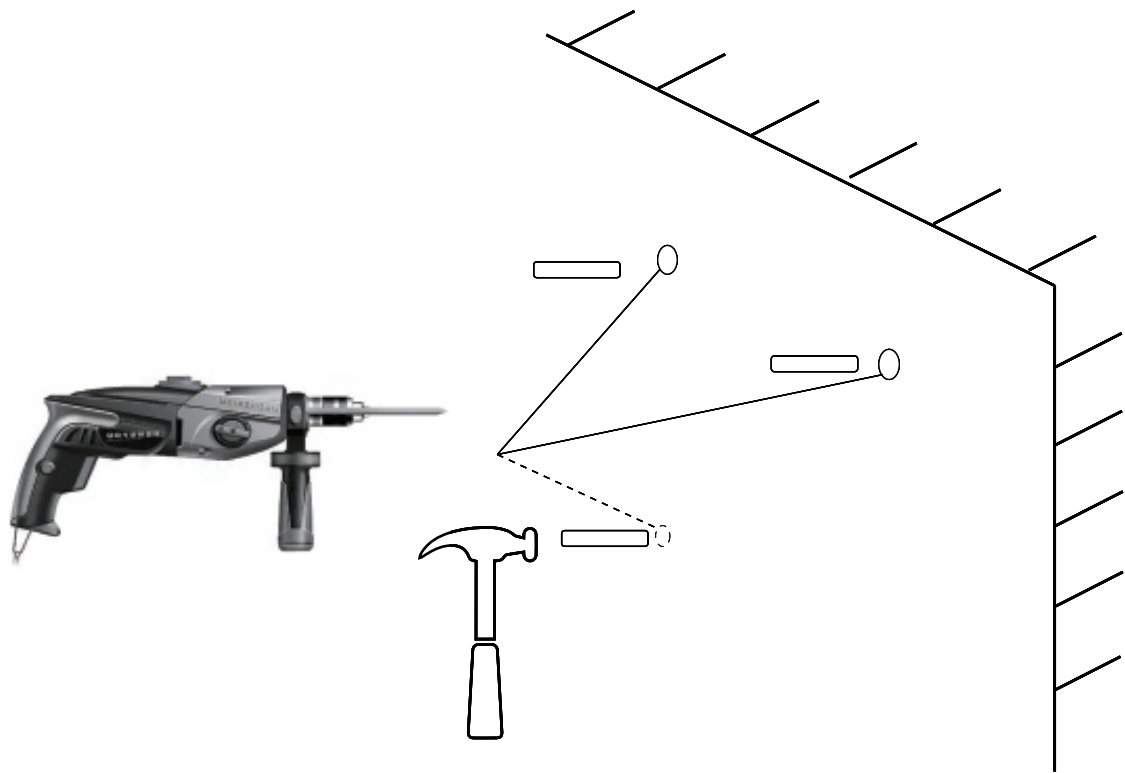
INSTALIATION



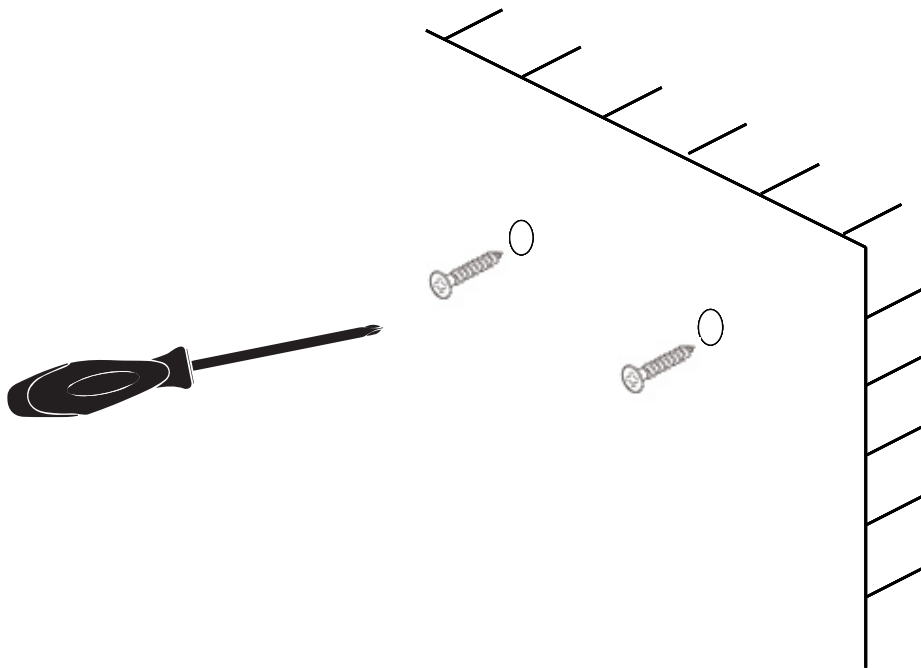
1. Measure the distance of the hanging hole.



2. Mark the hole position on the wall.

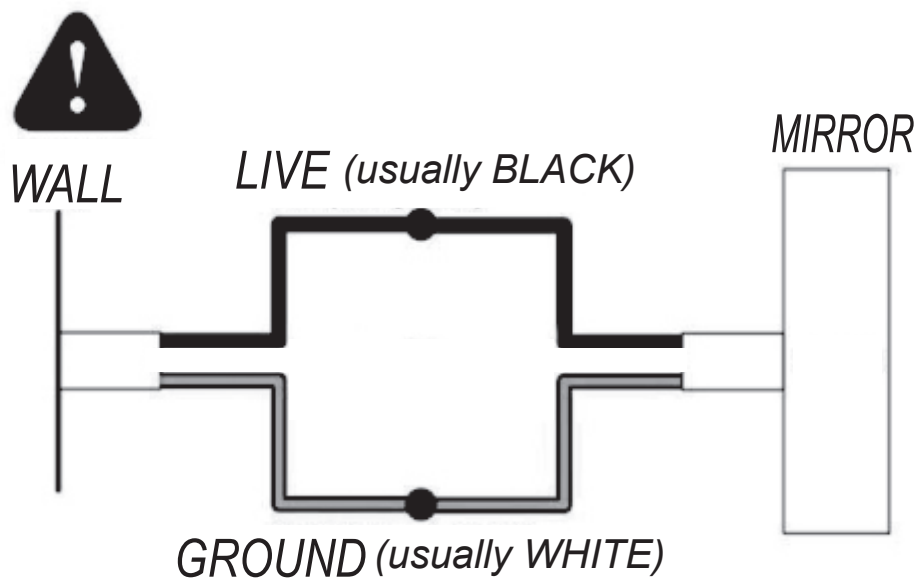


3. Drill the holes and place the suitable plastic anchors.

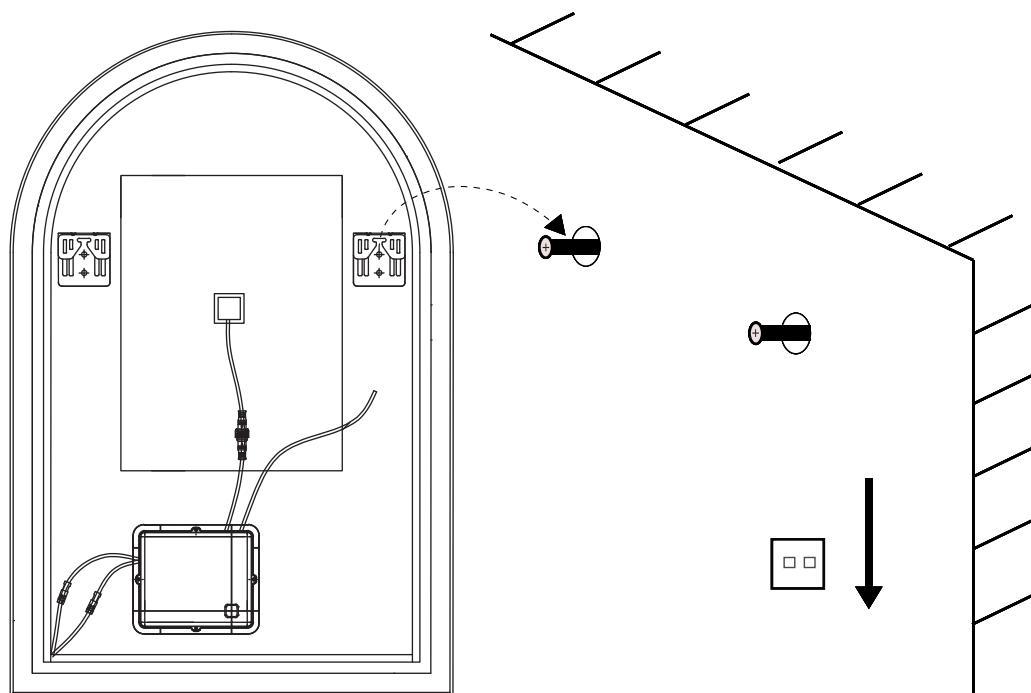


4. Arrange the screws on the wall, leaving about 3/8 inch outside the wall, and

ATTENTION:
PLEASE CUT OFF THE MAIN POWERSUPPLY BEFORE WIRING!



5. Connect the mirror cabinet with the main supply.



6. Hang the mirror on the screw.