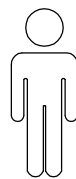
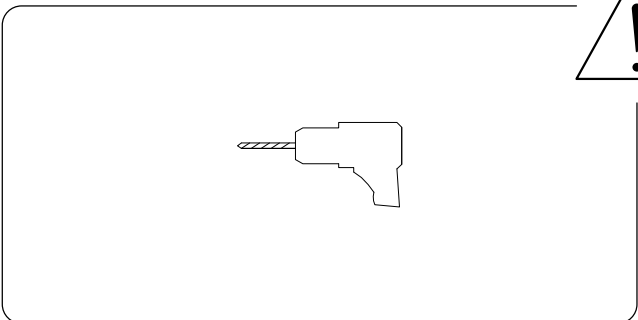
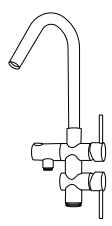

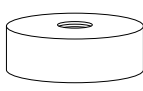


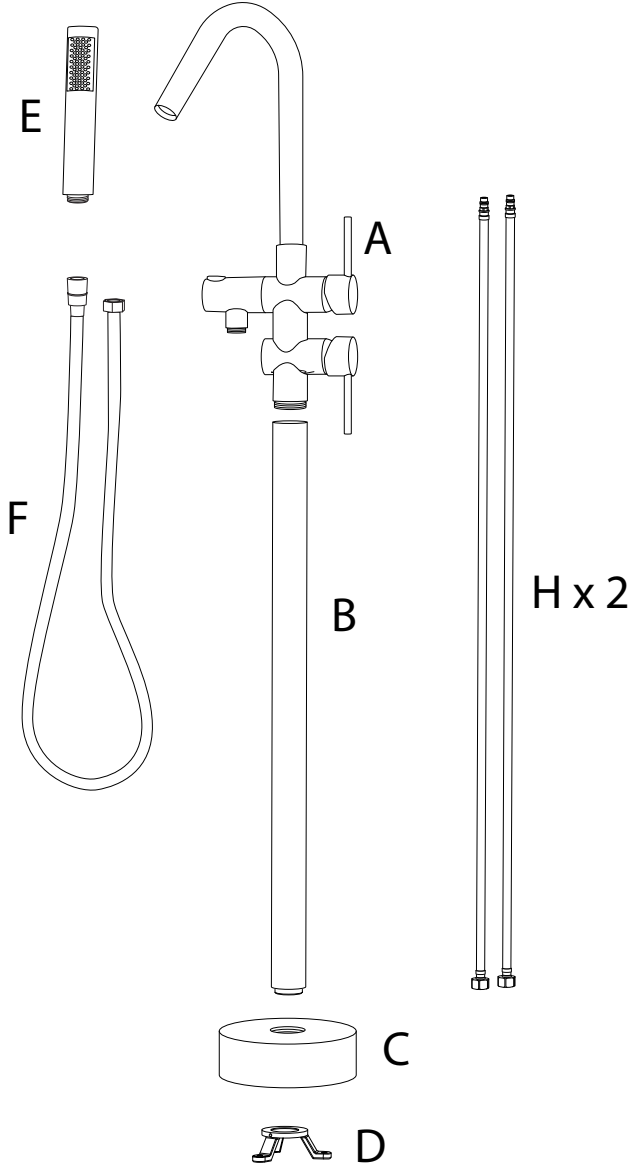


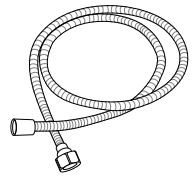

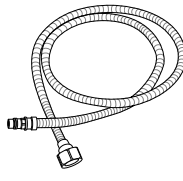
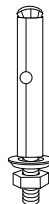
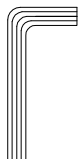
20'



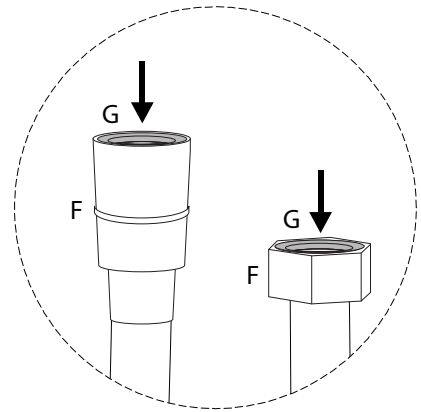
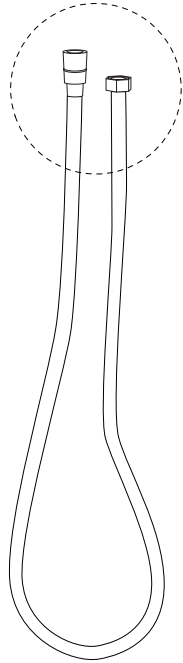
1

<b>A</b>  <b>x 1</b>	<b>B</b>  <b>x 1</b>	<b>C</b>  <b>x 1</b>	<b>D</b>  <b>x 1</b>	<b>E</b>  <b>x 1</b>
---	---	---	--	---



<b>F</b>  <b>x 1</b>	<b>G</b>  <b>x 2</b>	<b>H</b>  <b>x 2</b>	<b>I</b>  <b>x 3</b>	<b>J</b>  <b>x 1</b>
---	---	---	---	---

!



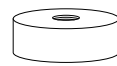
1

B

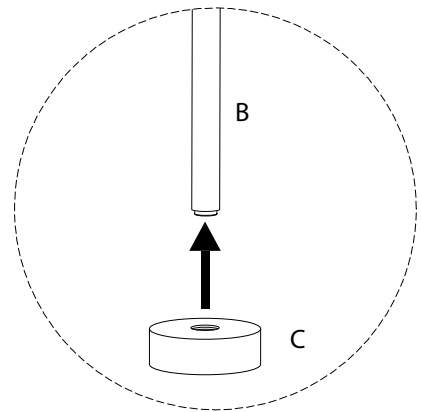
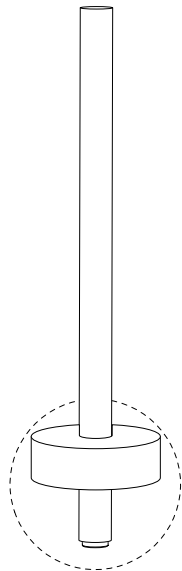


x 1

C



x 1



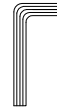
2

D

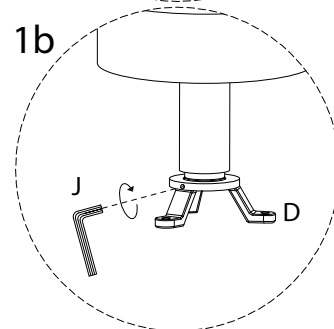
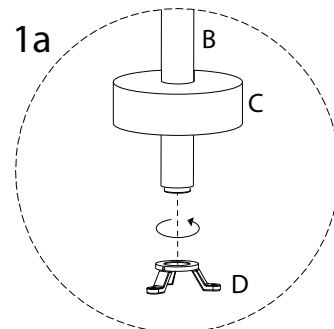
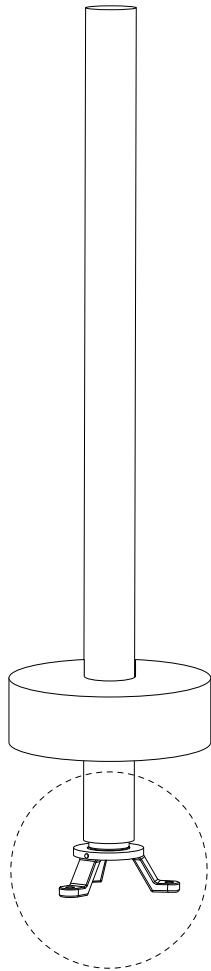


x 1

J



x 1

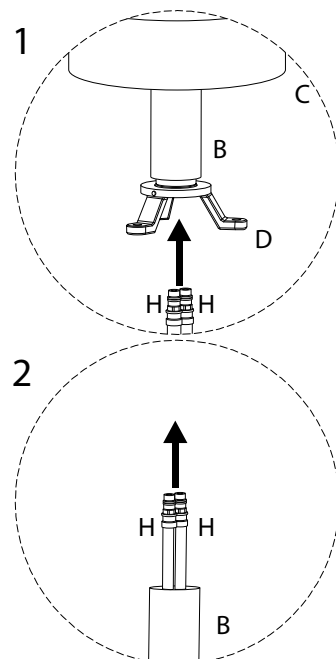
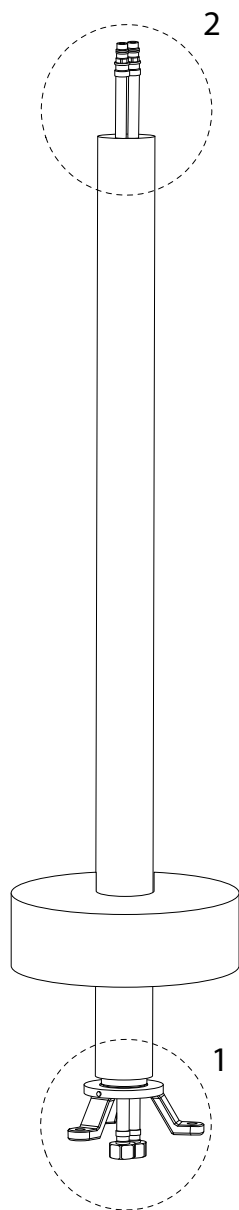


3

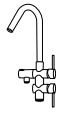
H

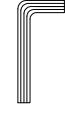


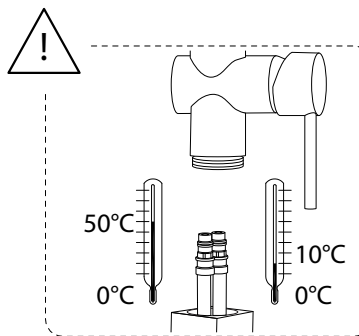
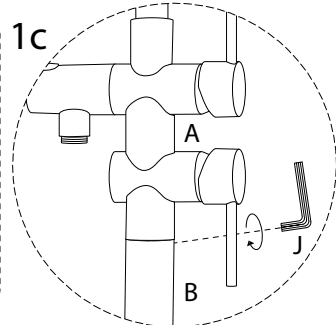
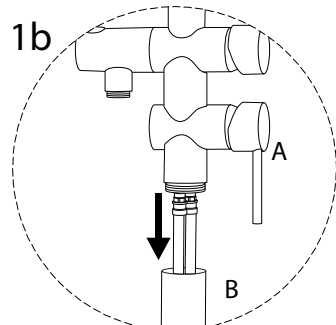
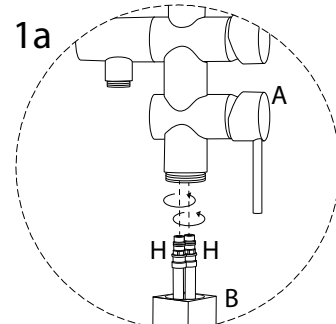
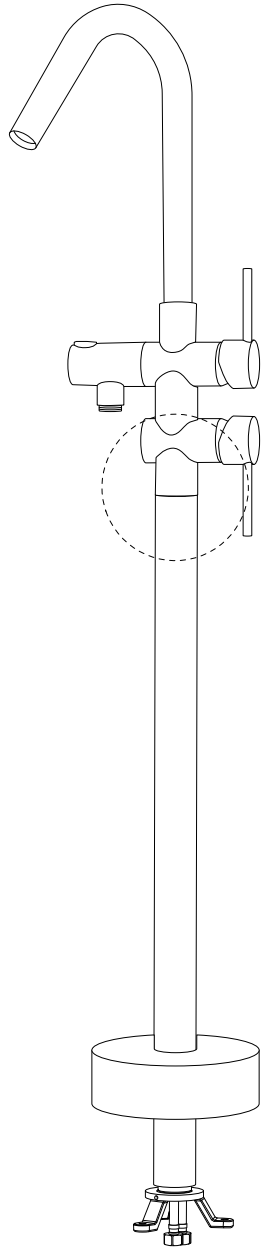
x 2



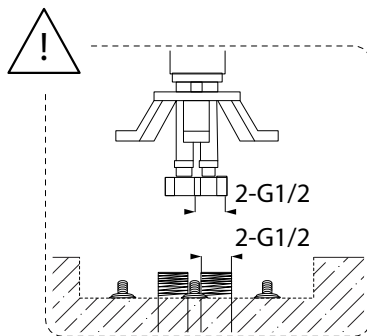
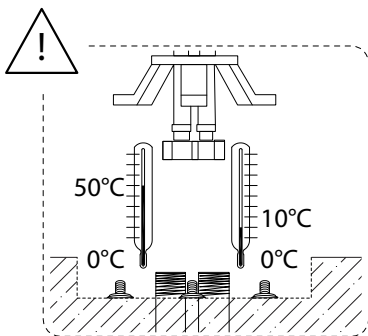
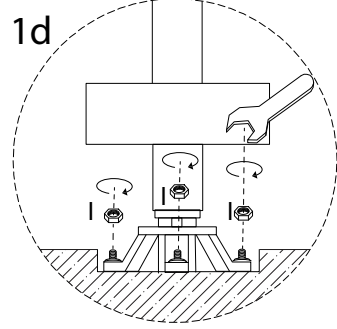
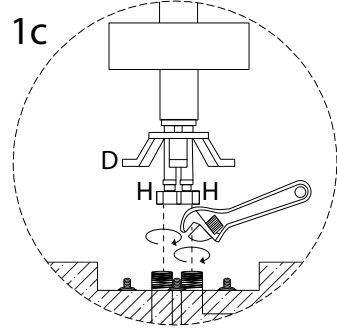
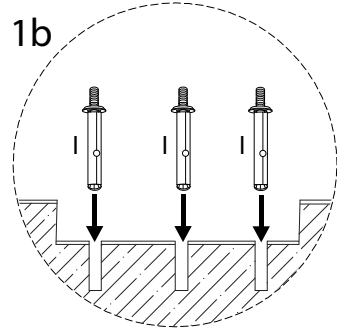
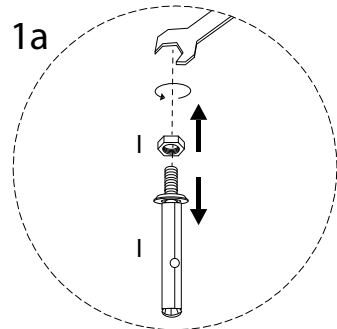
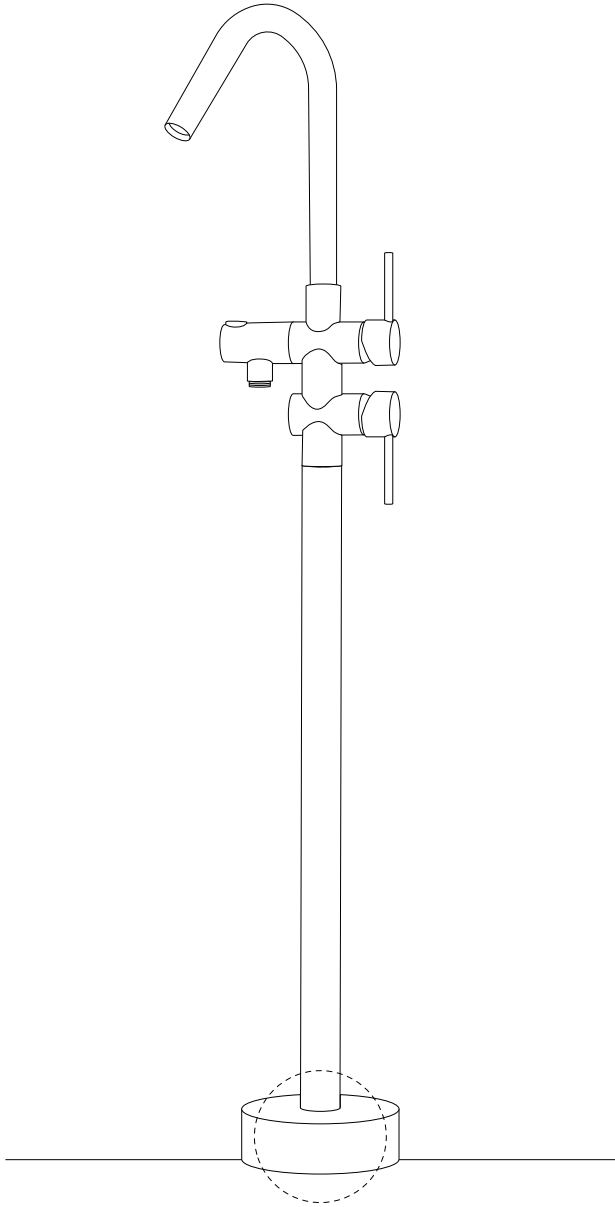
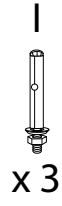
4

A  
  
x 1

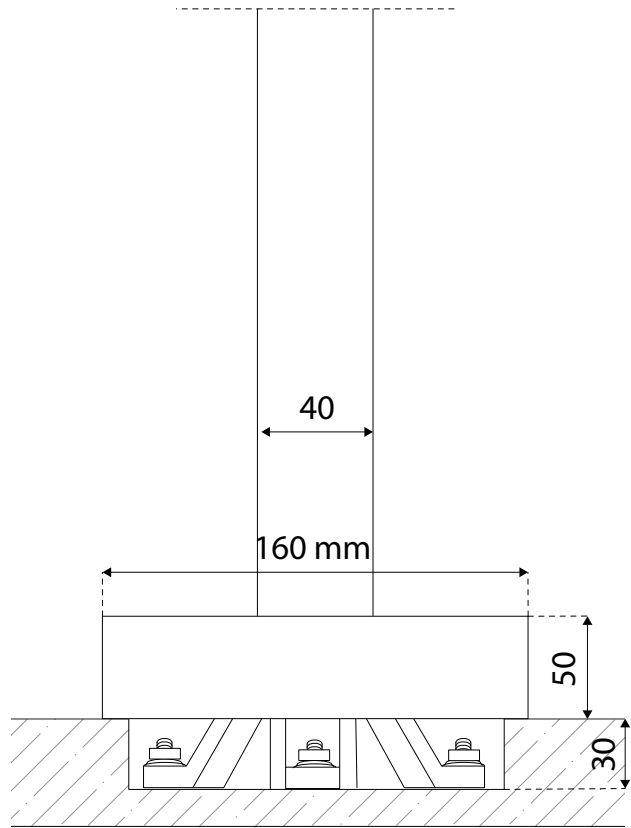
J  
  
x 1



5



!



6

E



x1

F



x1

G



x2

