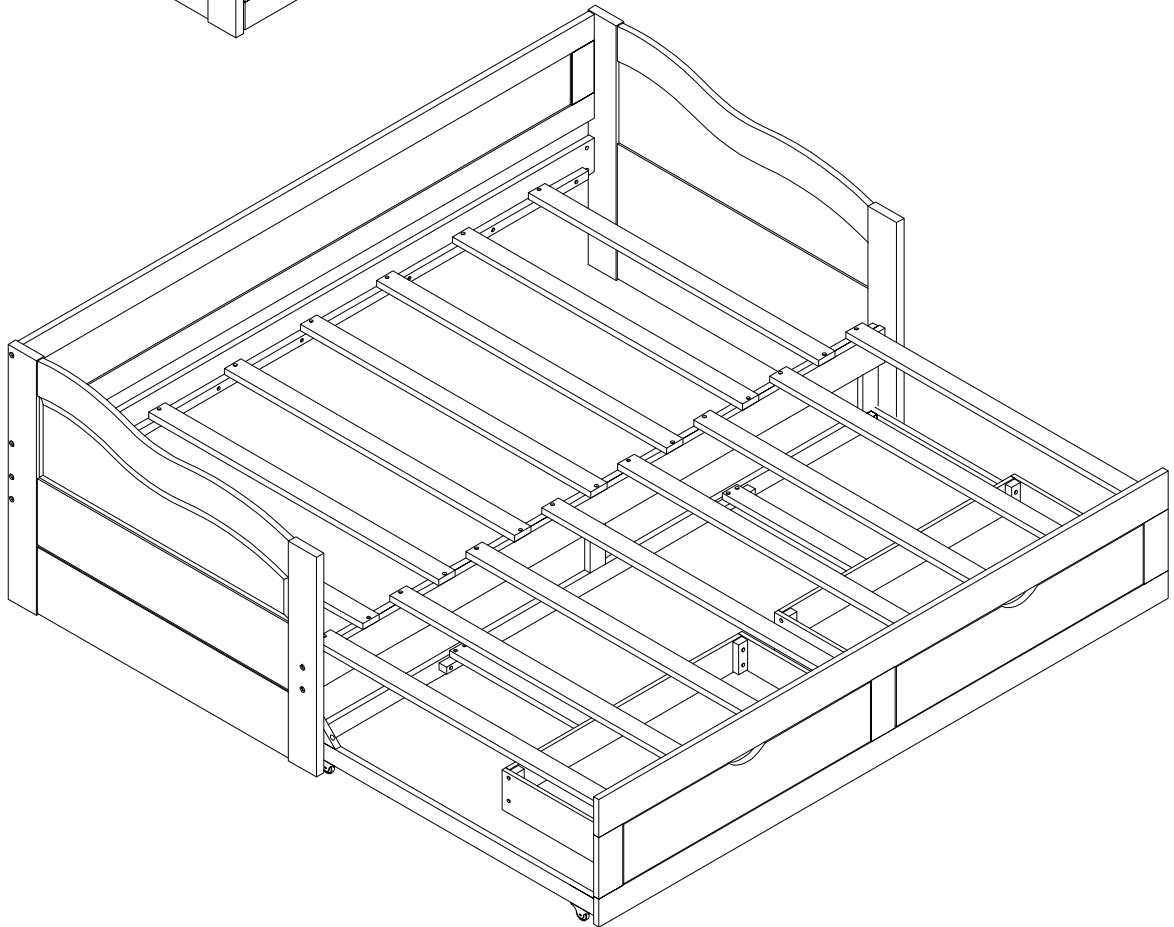
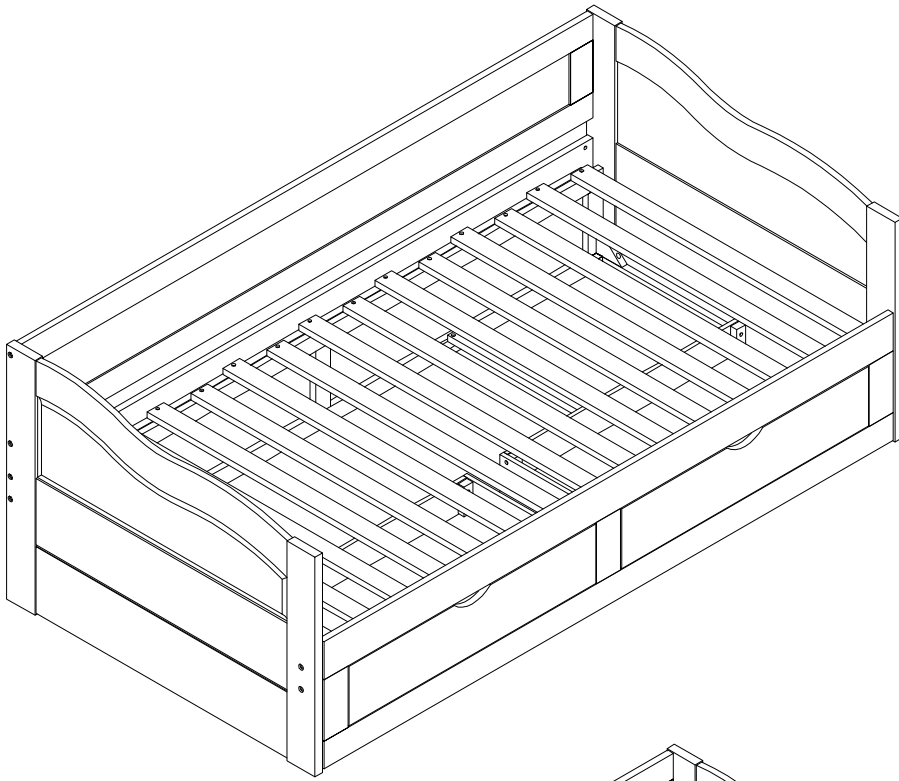
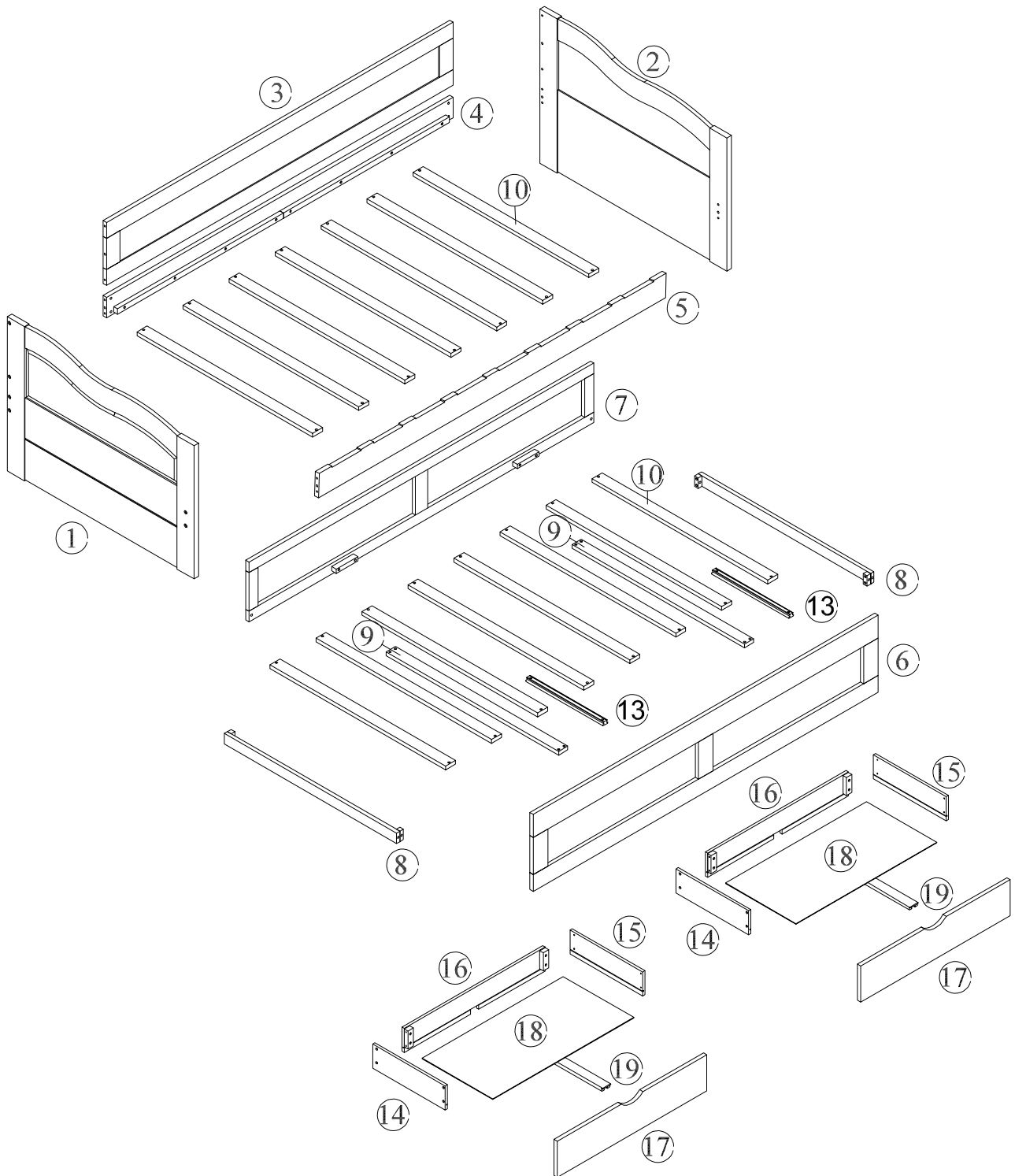


ASSEMBLY INSTRUCTION

SKU CODE:(N708P363935/N708P363936)

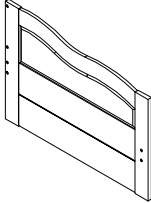
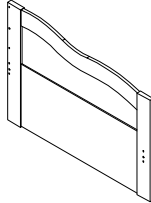
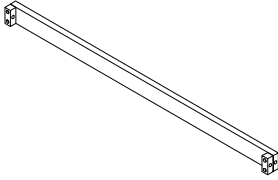
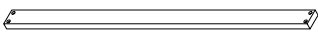
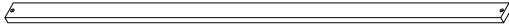
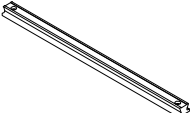
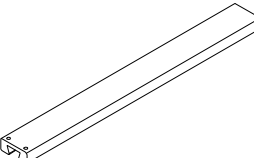


Detail View - DAY BED

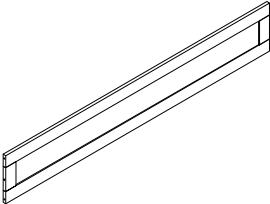

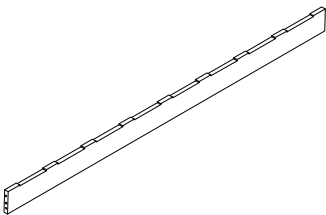
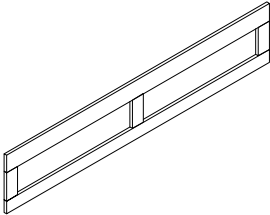
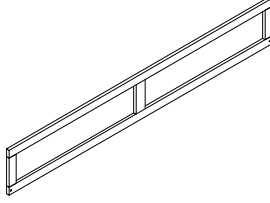
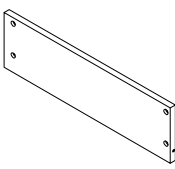
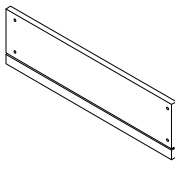
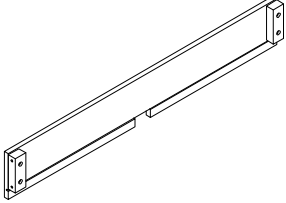
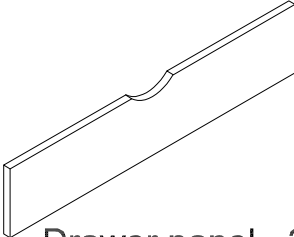
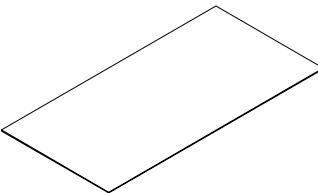


Identifying the Hardware - Identify the hardware using the illustrations below.




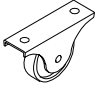
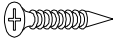

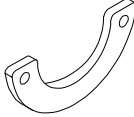



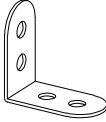
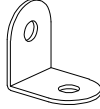
Part List –N708P363935

<p>1</p>  <p>Left headboard - 1pc</p>	<p>2</p>  <p>Right headboard - 1pc</p>
<p>8</p>  <p>Side bonding bar - 2pcs</p>	<p>9</p>  <p>Mid bonding bar - 2pcs</p>
<p>10</p>  <p>Bed board - 15pcs</p>	<p>13</p>  <p>Wooden slider - 2pcs</p>
<p>19</p>  <p>Wooden slider - 2pcs</p>	

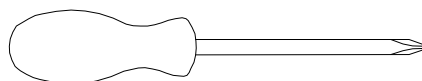
Part List –N708P363936

<p>3</p>  <p>Back guard rail frame - 1pc</p>	<p>4</p>  <p>Bed side plate - 1pc</p>
<p>5</p>  <p>Bed side plate - 1pc</p>	<p>6</p>  <p>Front frame - 1pc</p>
<p>7</p>  <p>Rear frame - 1pc</p>	<p>14</p>  <p>Drawer left side panel - 2pcs</p>
<p>15</p>  <p>Drawer right side panel - 2pcs</p>	<p>16</p>  <p>Drawer back plate - 2pcs</p>
<p>17</p>  <p>Drawer panel - 2pcs</p>	<p>18</p>  <p>Drawer bottom plate - 2pcs</p>




Hardware List –N708P363935

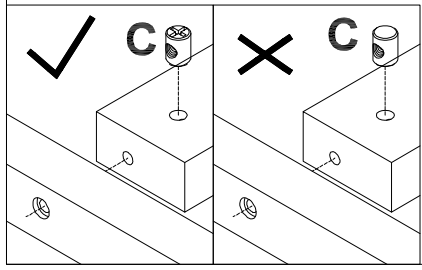
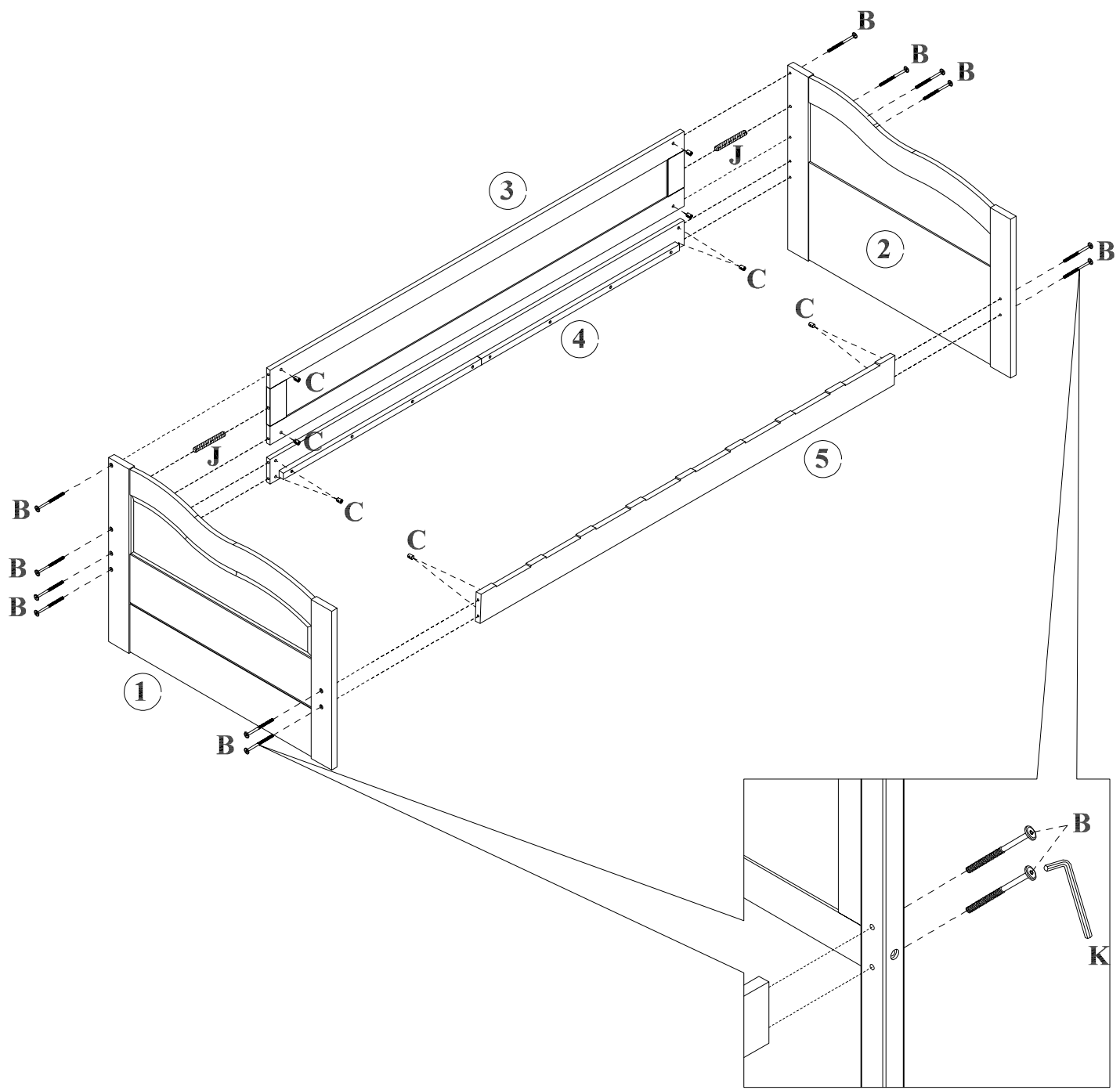
<p>A</p>  <p>ø13x1/4"x30mm</p>	<p>B</p>  <p>ø13x1/4"x70mm</p>	<p>C</p>  <p>ø10x13mm</p>
<p>Hex-Head bolts(4pcs)</p>	<p>Hex-Head bolts(12pcs)</p>	<p>Horizontal-Hole bolts(12PCS)</p>
<p>E</p> 	<p>F</p>  <p>ø7xø3.5x15mm</p>	<p>G</p>  <p>ø8xø4x30mm</p>
<p>Wheels (4pcs)</p>	<p>Flat head screw(8pcs)</p>	<p>Round head screw(70pcs)</p>
<p>H</p> 	<p>Y</p>  <p>ø7xø3.5x12mm</p>	<p>J</p>  <p>ø8x30mm</p>
<p>Blocks semicircular(2pcs)</p>	<p>Flat head screw(36pcs)</p>	<p>Wood dowel(8pcs)</p>
<p>K</p>  <p>4mm</p>	<p>L</p> 	<p>M</p> 
<p>Allen key(1pc)</p>	<p>L Bracket(4pcs)</p>	<p>L Bracket(8pcs)</p>

ASSEMBLY TOOLS REQUIRED (NOT INCLUDED)

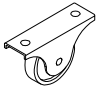



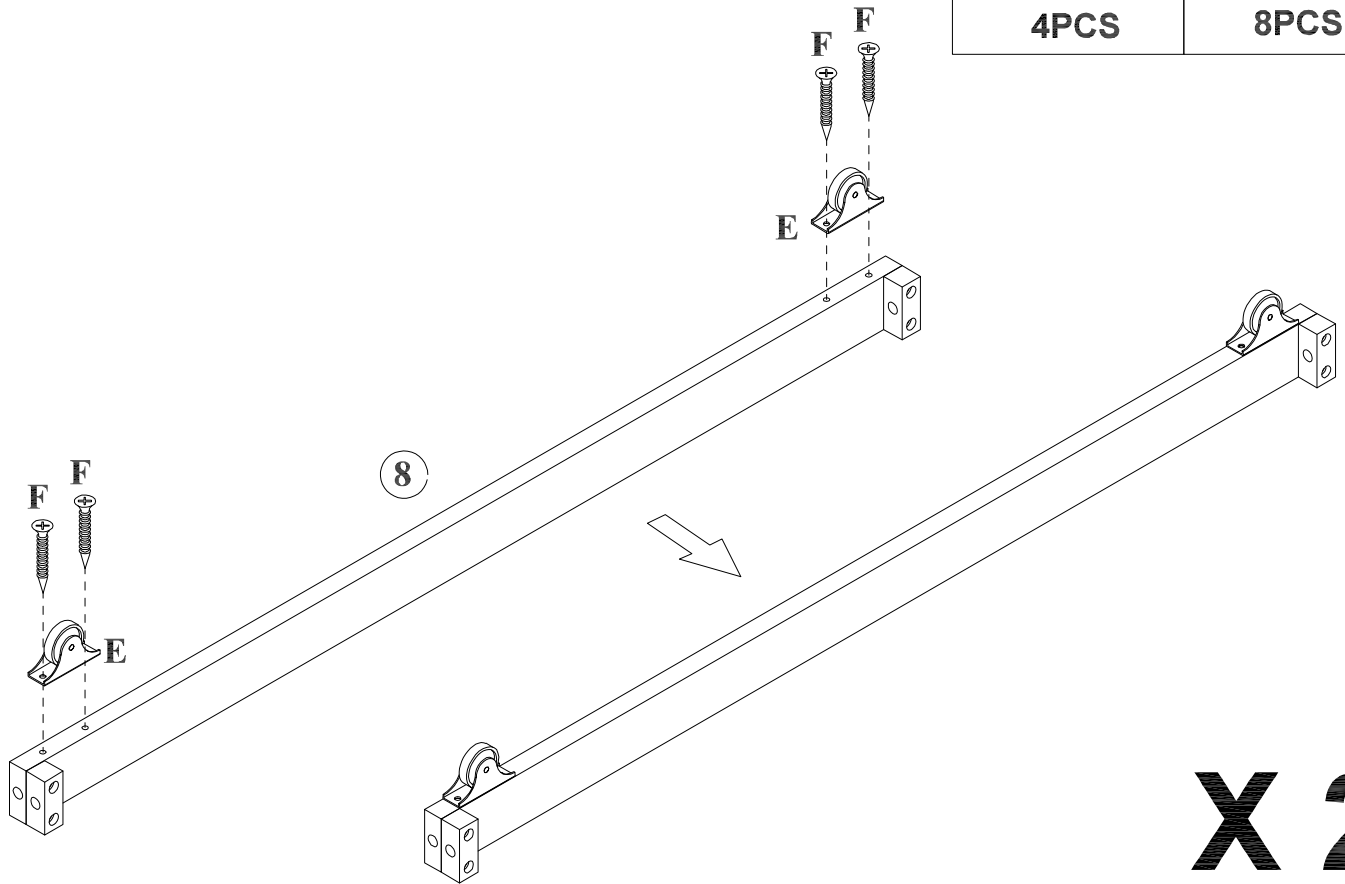
STEP: 1

B	C	J
		
12PCS	12PCS	2PCS





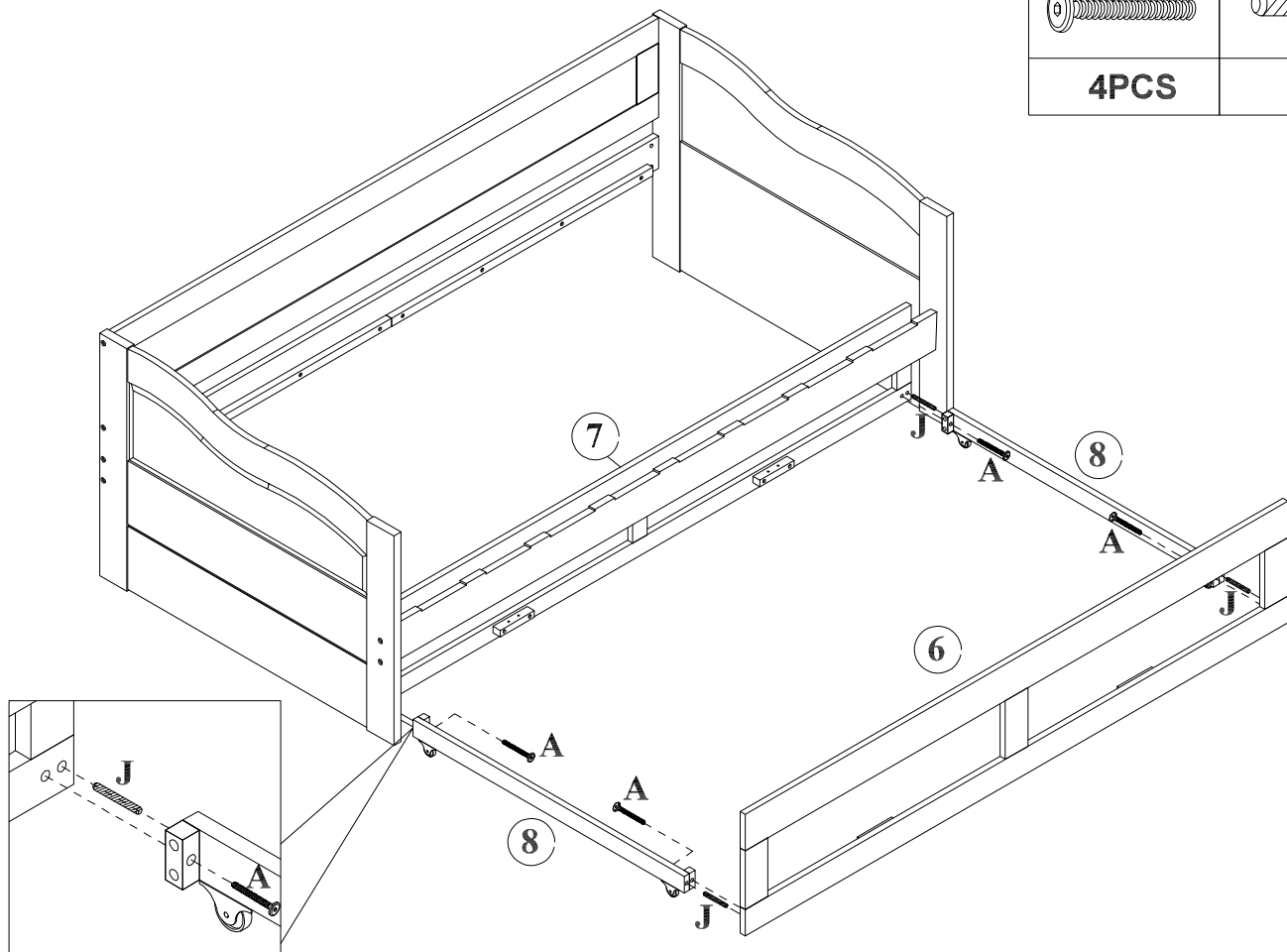
STEP: 2

E		F	
4PCS		8PCS	


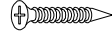
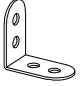


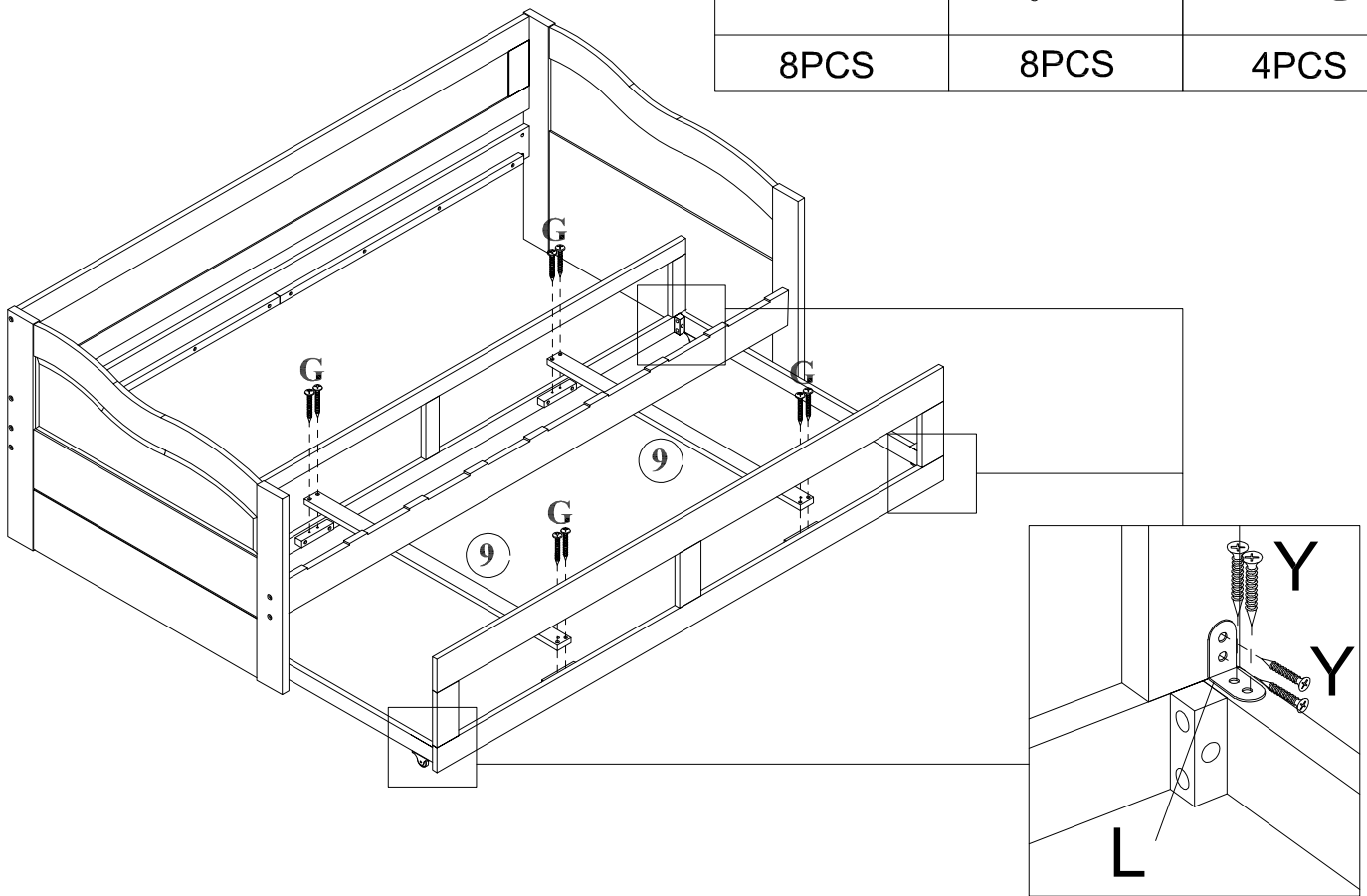
STEP: 3

A		J	
4PCS		4PCS	






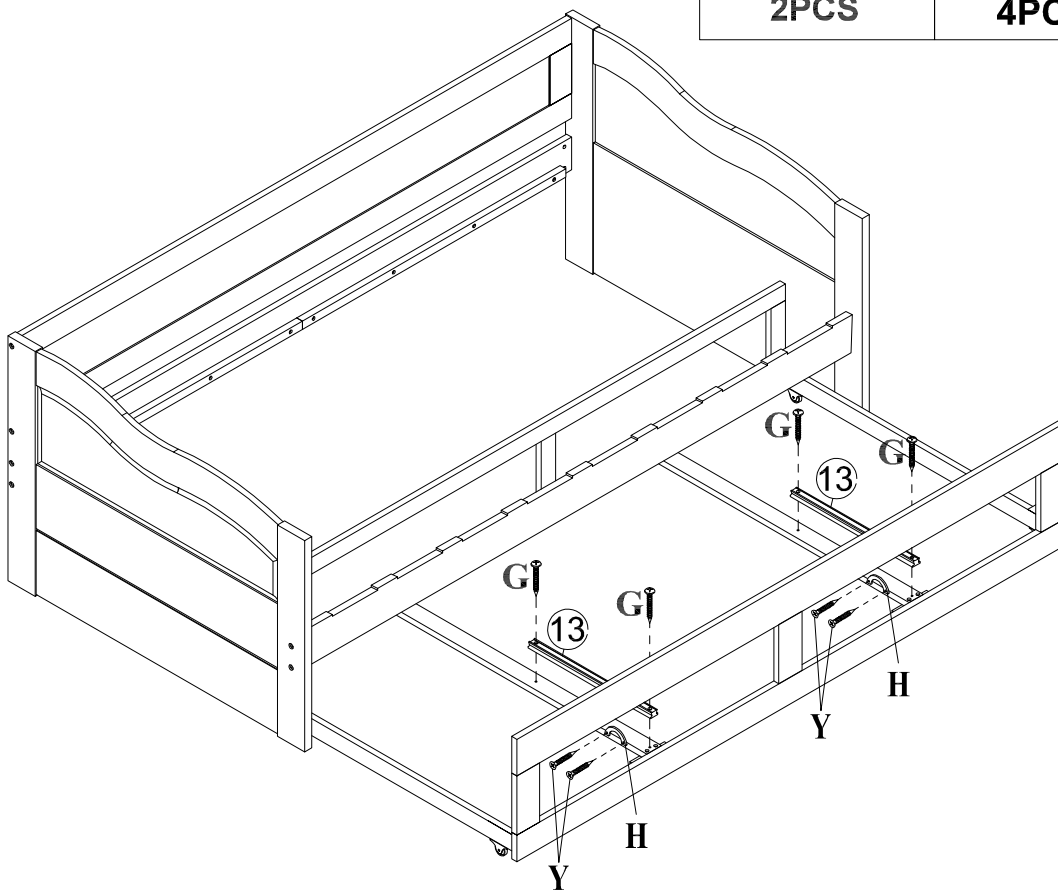
STEP: 4

G	Y	L
		
8PCS	8PCS	4PCS



STEP: 5

H	Y	G
		
2PCS	4PCS	4PCS

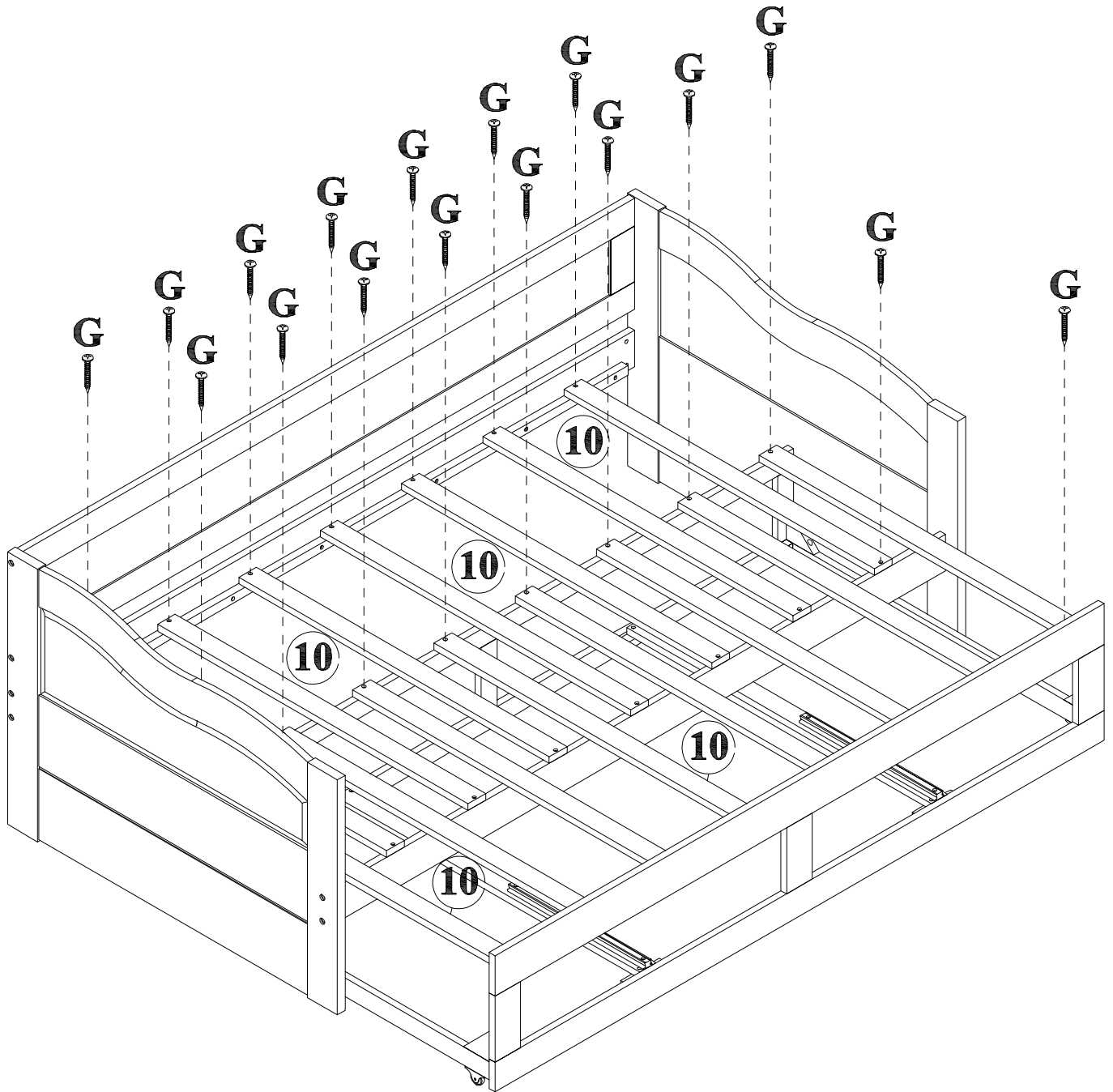


STEP: 6

G



30PCS

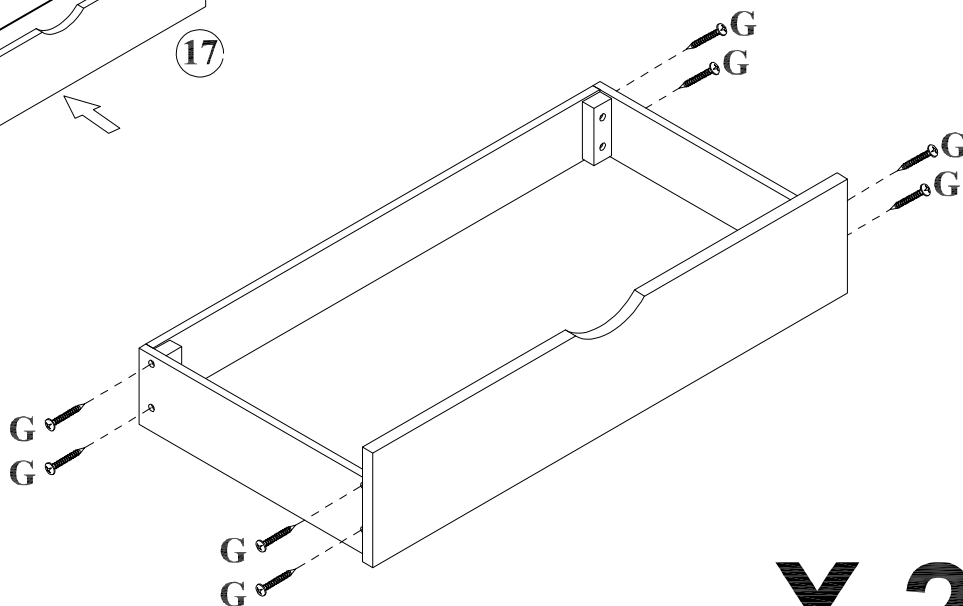
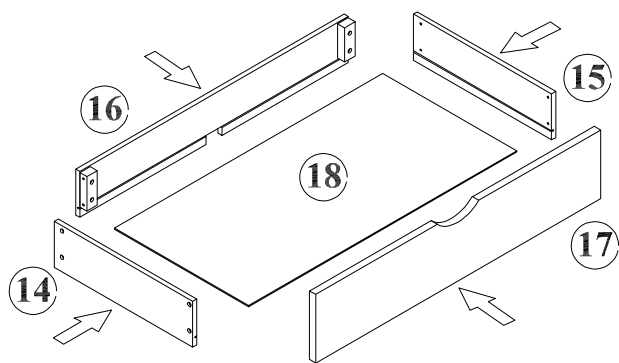


STEP: 7

G



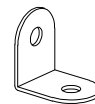
16PCS



X 2

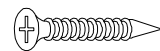
STEP: 8

M

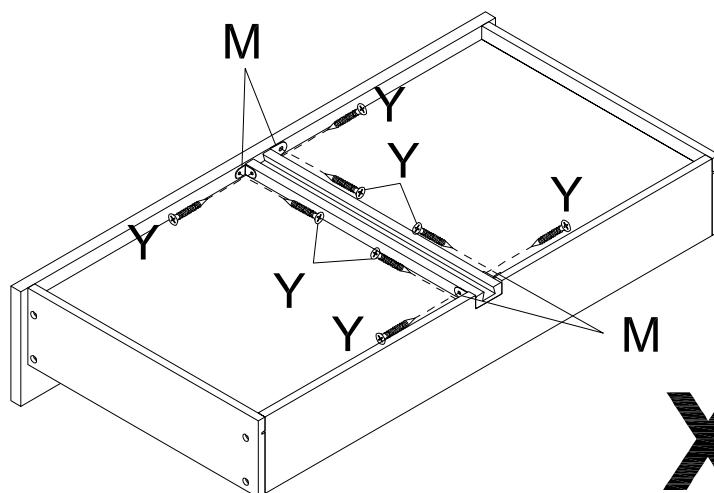
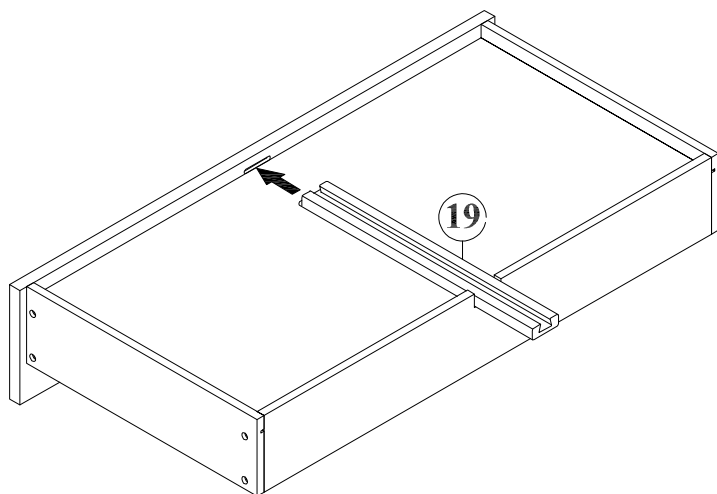


8PCS

Y

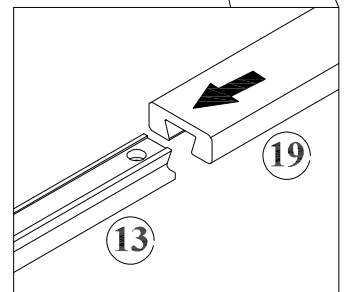
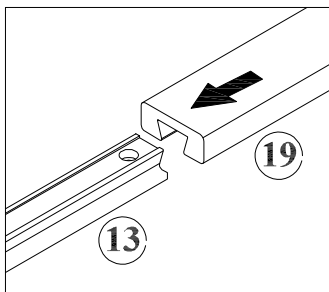
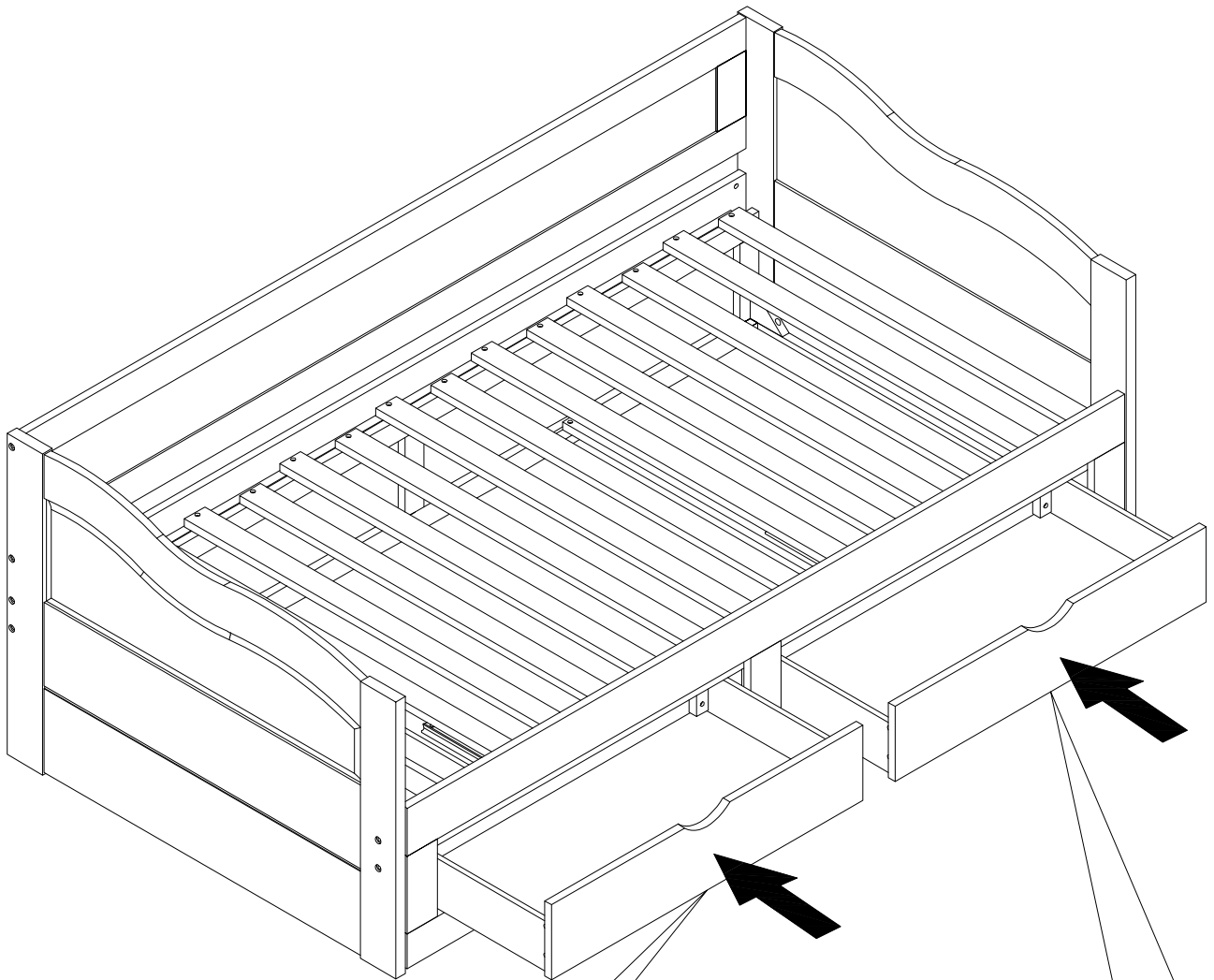


16PCS



X 2

STEP: 9



STEP: 10

