



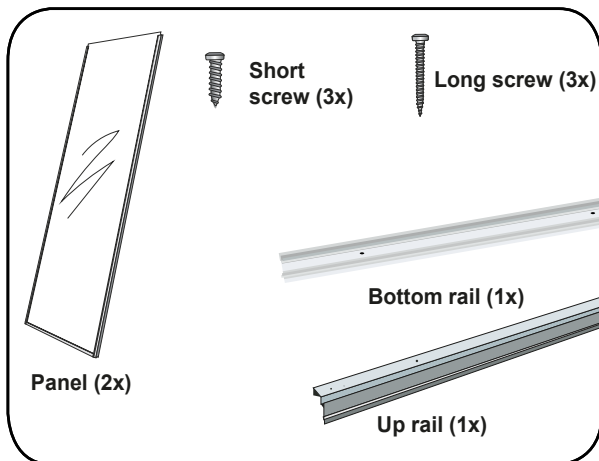
**colonialegance**

## HOW TO INSTALL YOUR CLOSET DOOR

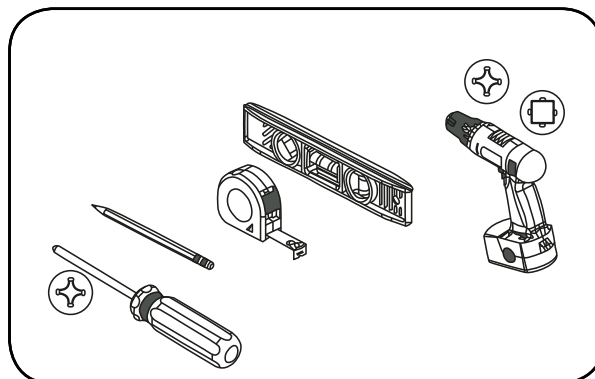
# SLIDING – BOTTOM ROLL

**IMPORTANT - PLEASE READ ALL INSTRUCTIONS BEFORE YOU BEGIN INSTALLATION.**

- These instructions are for a 2-panels sliding door.

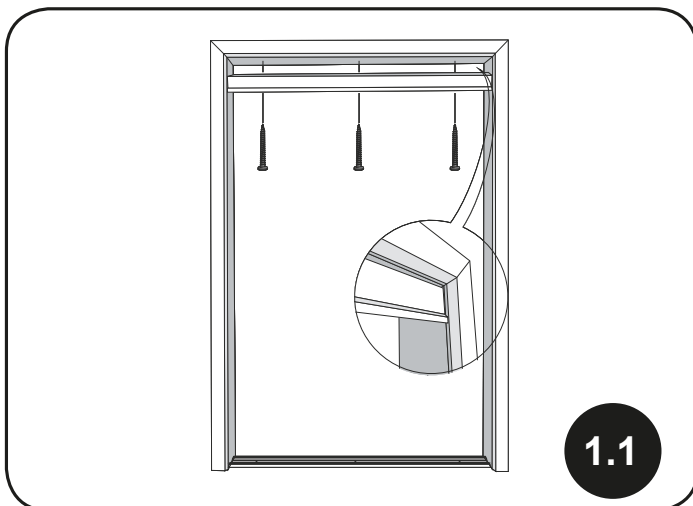


Parts included

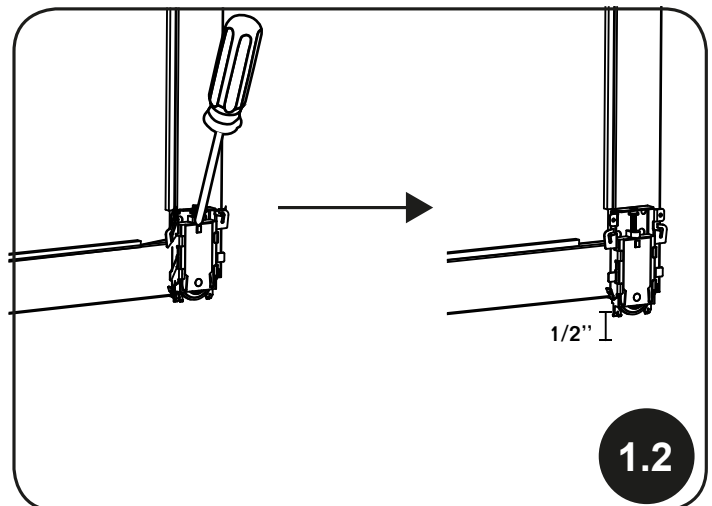


Recommended tools

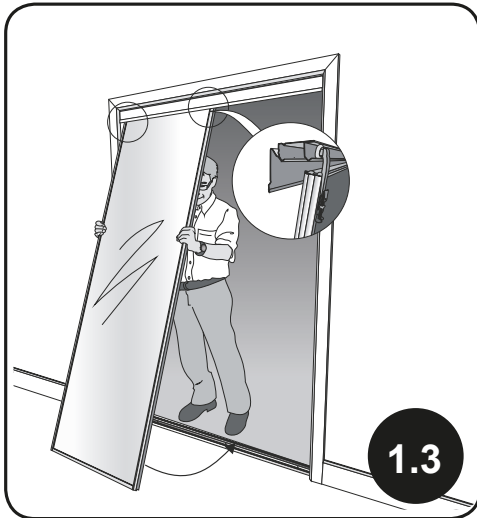
## 1. Door installation



Using the long screws, fix the top track 1/16" back from the front edge of jamb face.

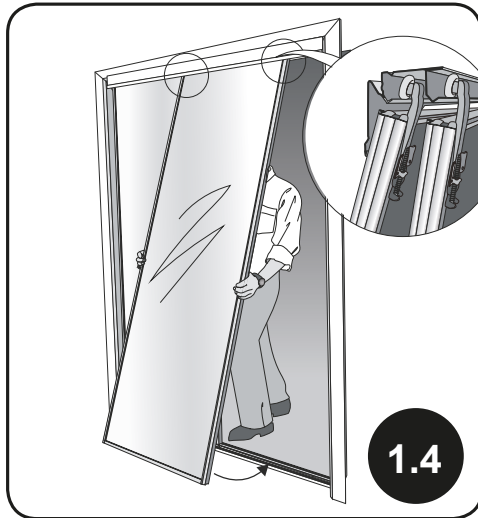


To protect the bottom track, extend the 4 bottom rollers 1/2".



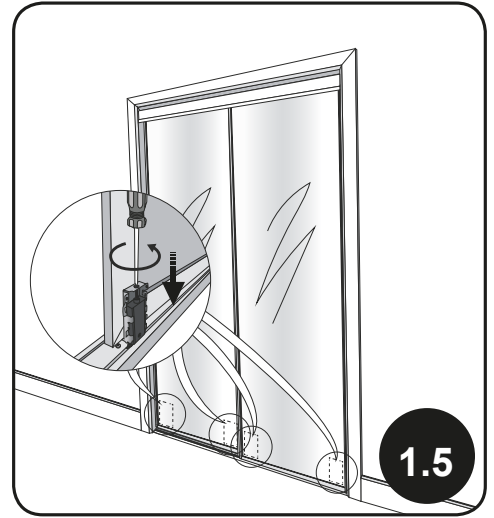
1.3

Tilt a door panel, insert the top rollers in the rear « J » channel of the top track..



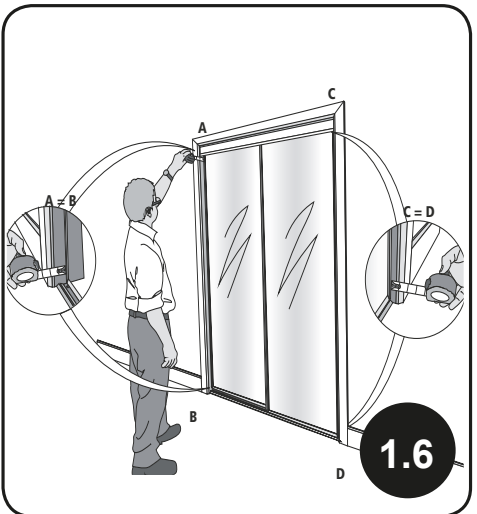
1.4

Repeat the same process for the front panel.



1.5

Align the bottom rollers to the grooves of the bottom track then snap them in place by putting pressure on them.



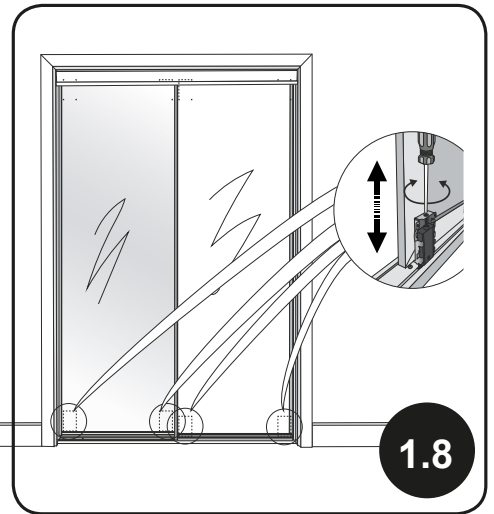
1.6

By pushing or pulling the bottom track, make sure A measurement equals B. And C equals D.



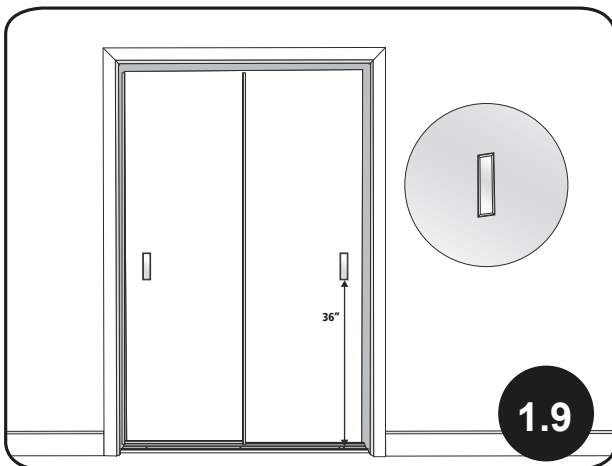
1.7

Once equalized, fix the bottom track with the short screws.



1.8

Using a screwdriver, ease or tighten the bottom rollers so the panels are squared to the door jamb.



1.9

\*For frameless door  
At 36" from the floor, stick the supplied handles.

**DO NOT RETURN TO RETAILER**

If you have any questions, please contact our customer service at: [info@colonialegance.com](mailto:info@colonialegance.com) or call toll free at: 1-800-361-2030

**VISIT OUR WEB SITE**

[www.colonialegance.com](http://www.colonialegance.com)

**\*1 year limited warranty**