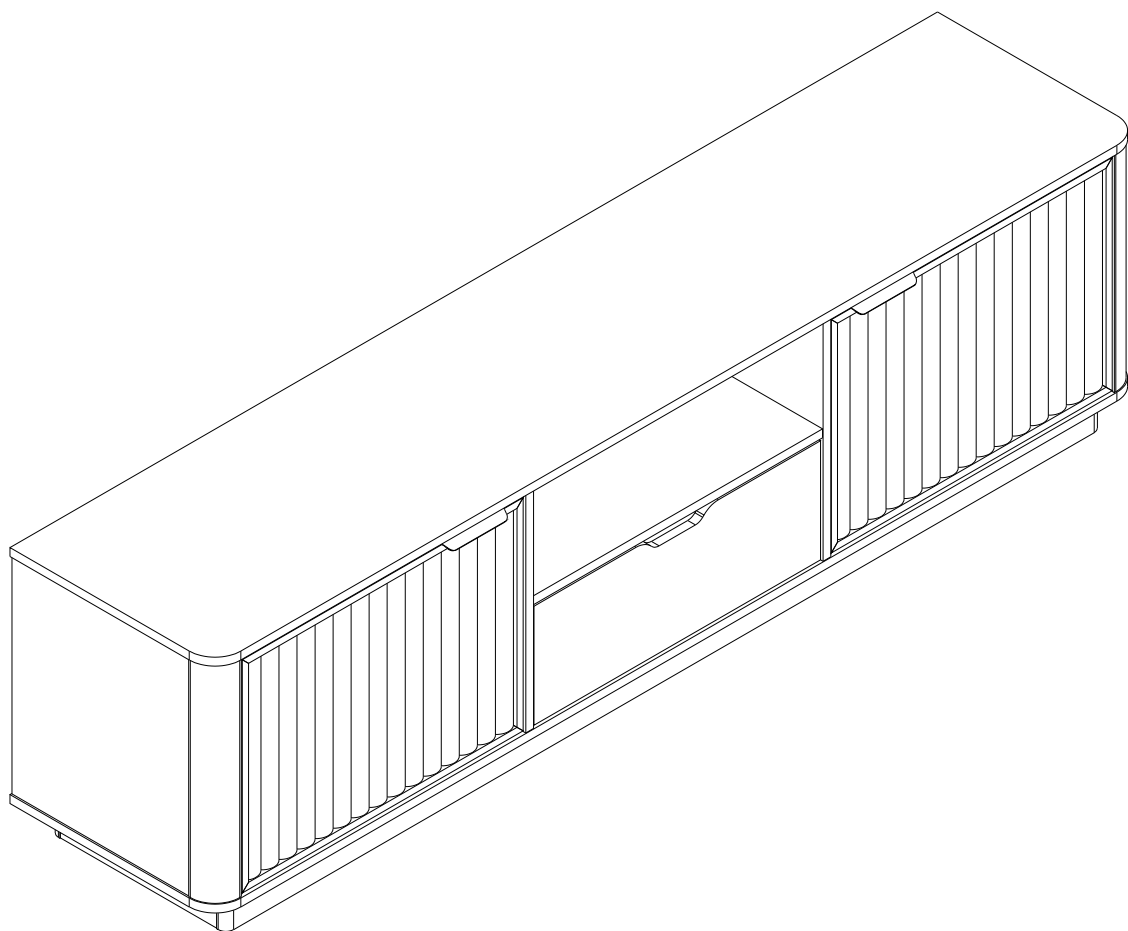


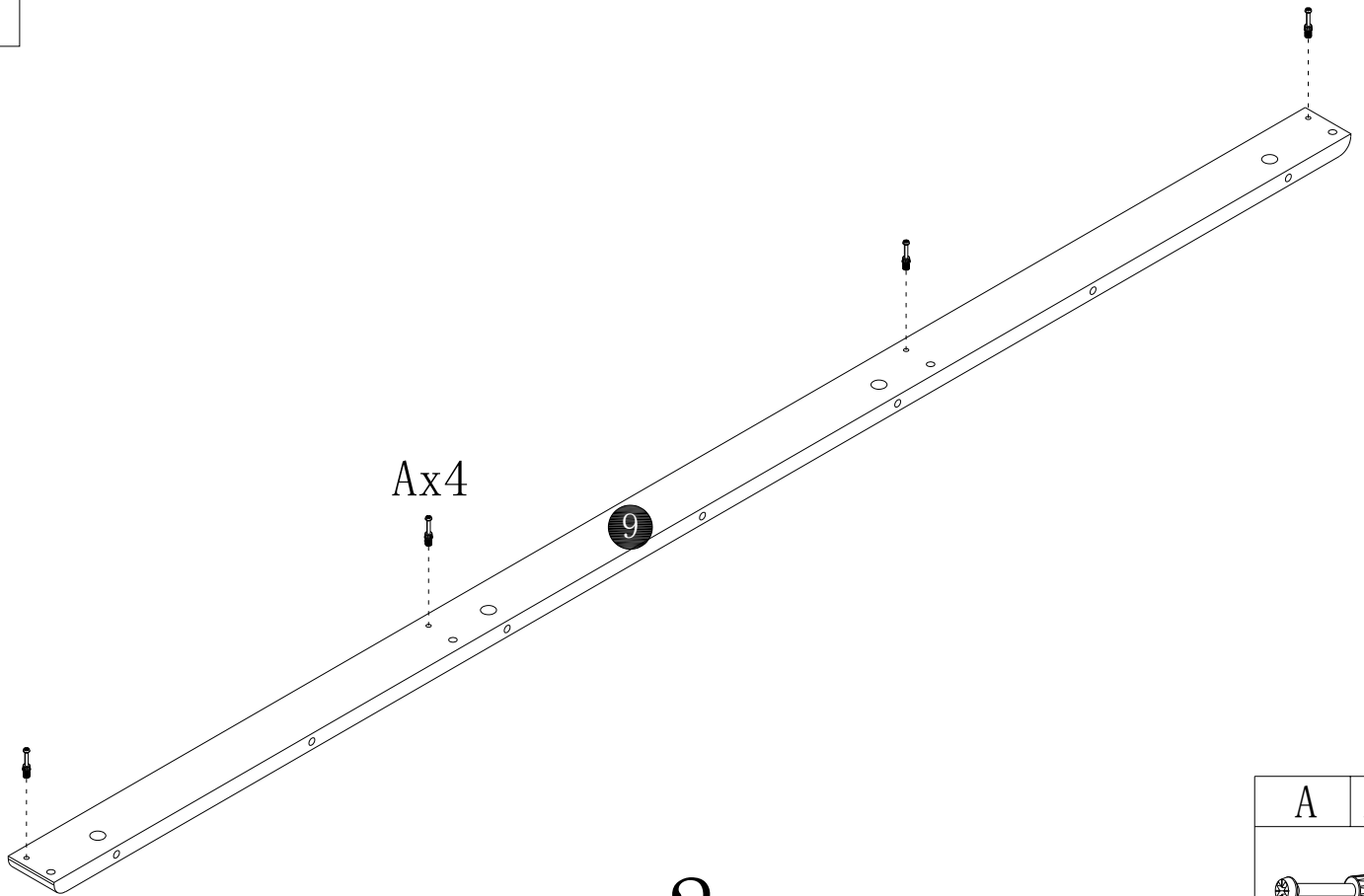
ASSEMBLY INSTRUCTION

If there are any questions during the assembly process.

An video and description about the step you were stucked will help us to understand the problem quickly



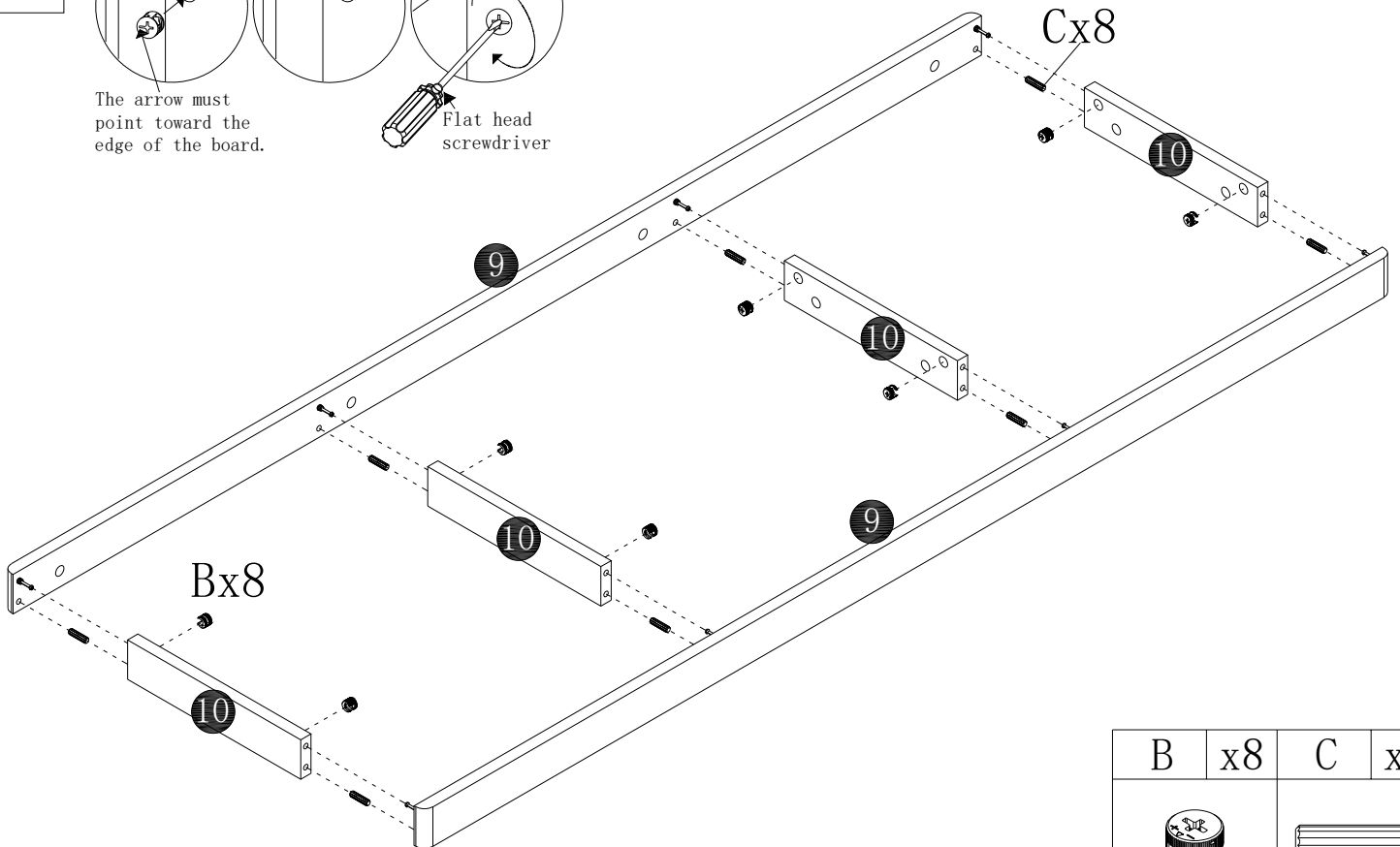
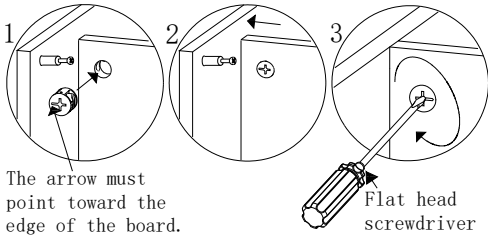
1



x2

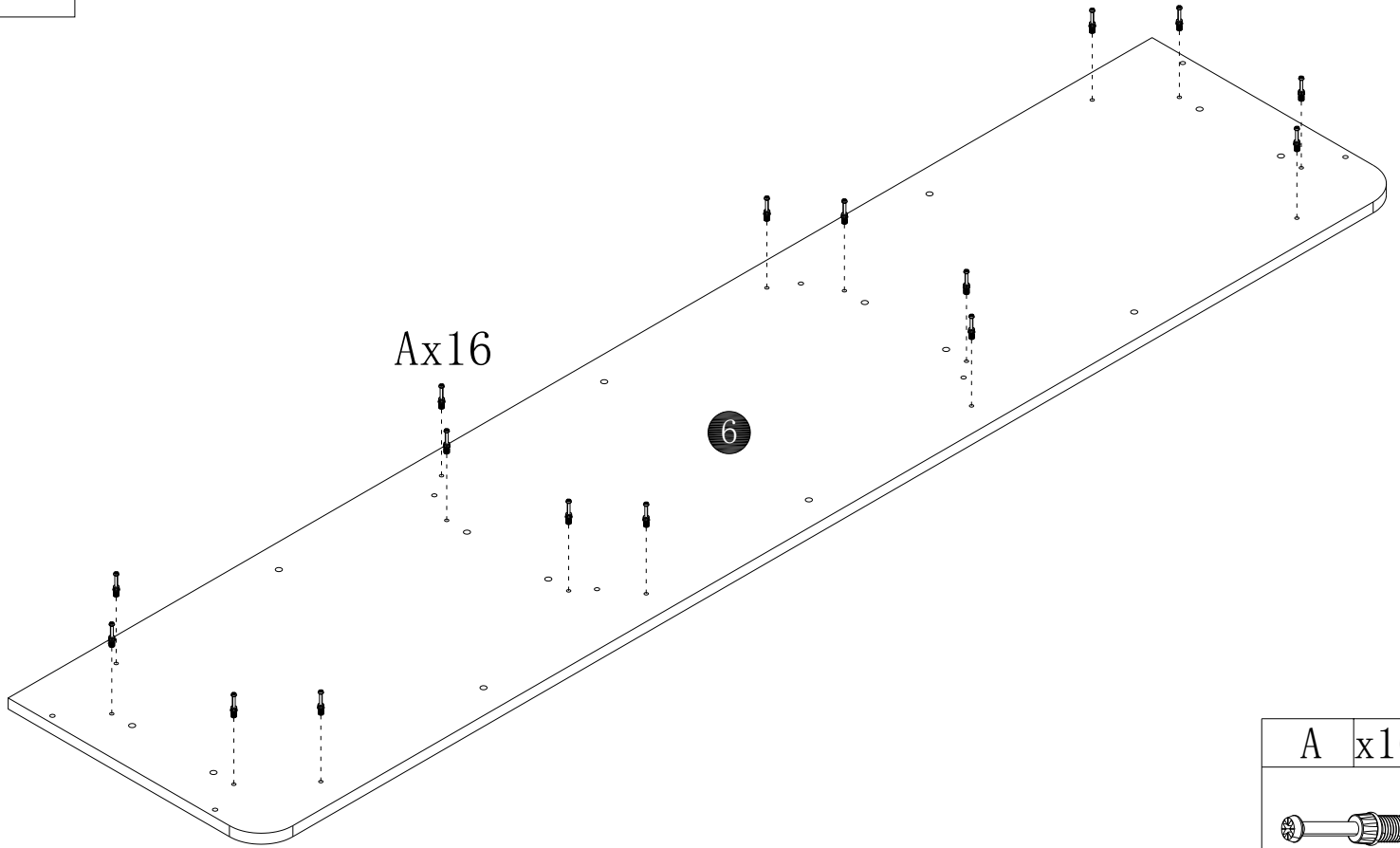
A	x8
M6x35mm	

2



B	x8	C	x8
φ15mm		φ8x30mm	

3

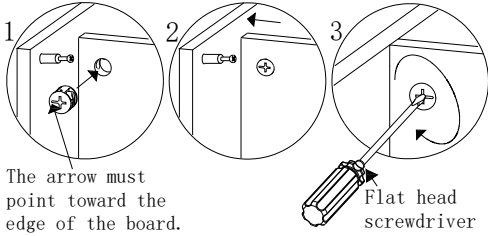


Ax16

6

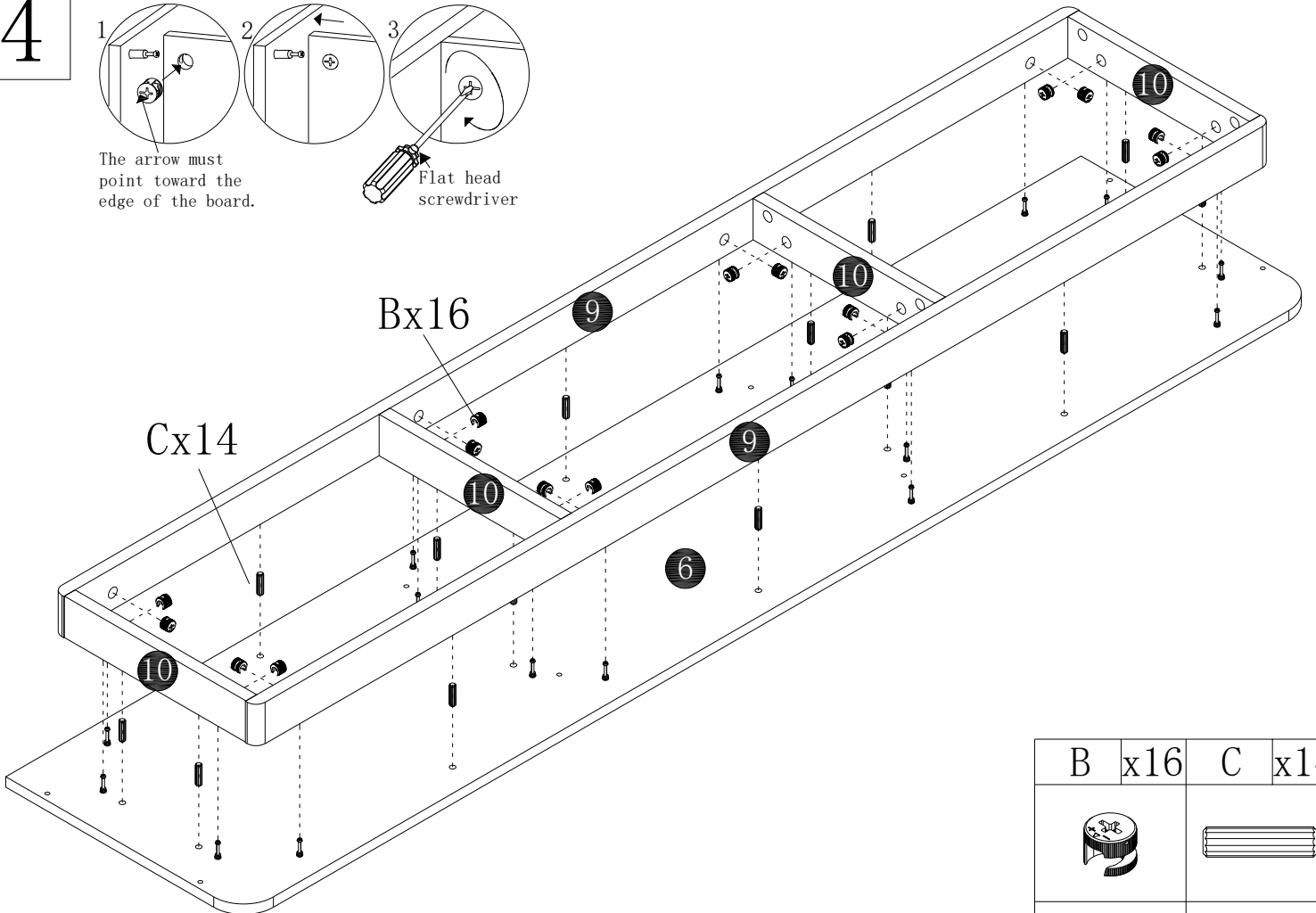
A	x16
M6x35mm	

4



The arrow must point toward the edge of the board.

Flat head screwdriver



Bx16

Cx14

9

9

6

10

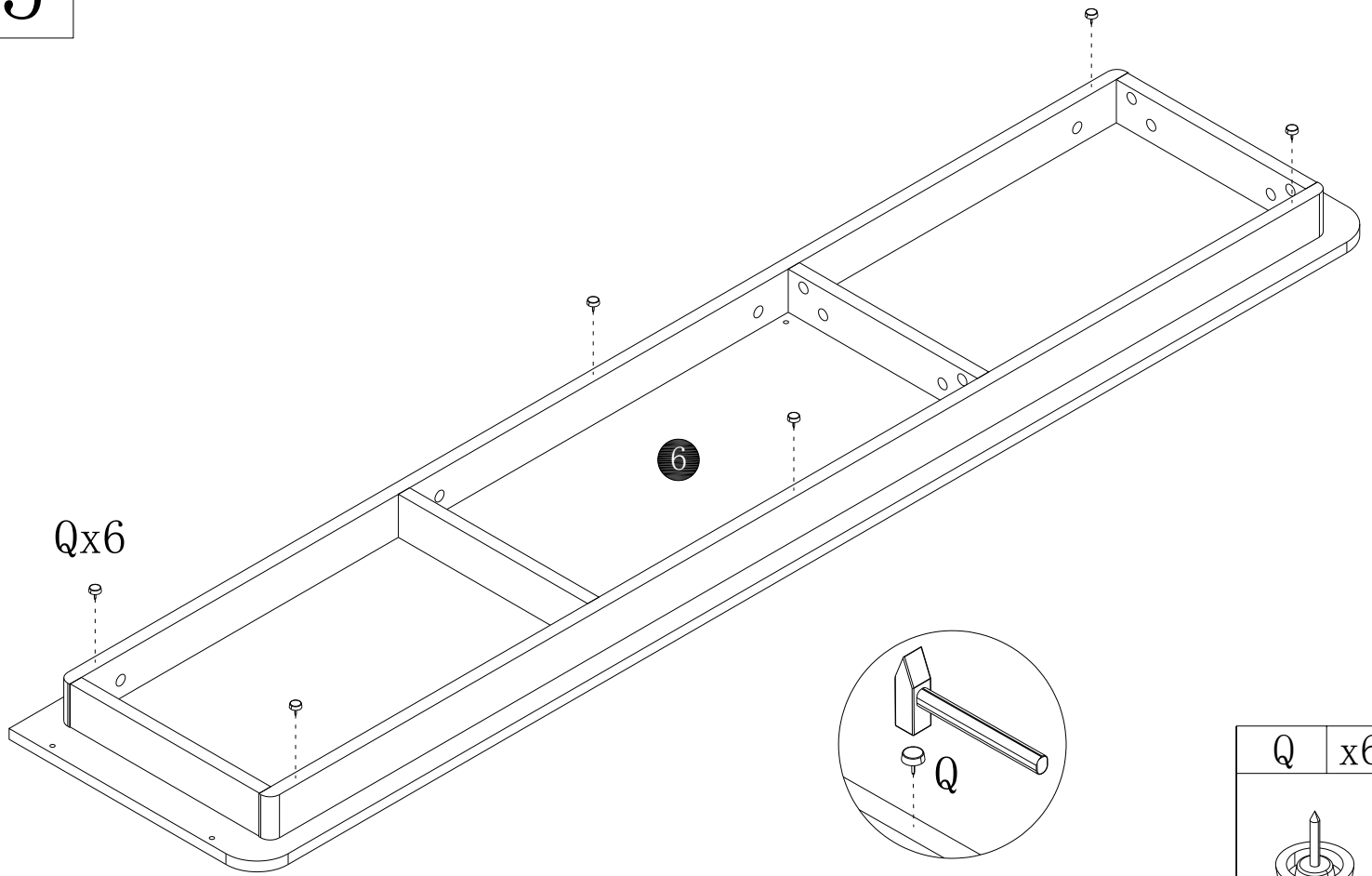
10

10

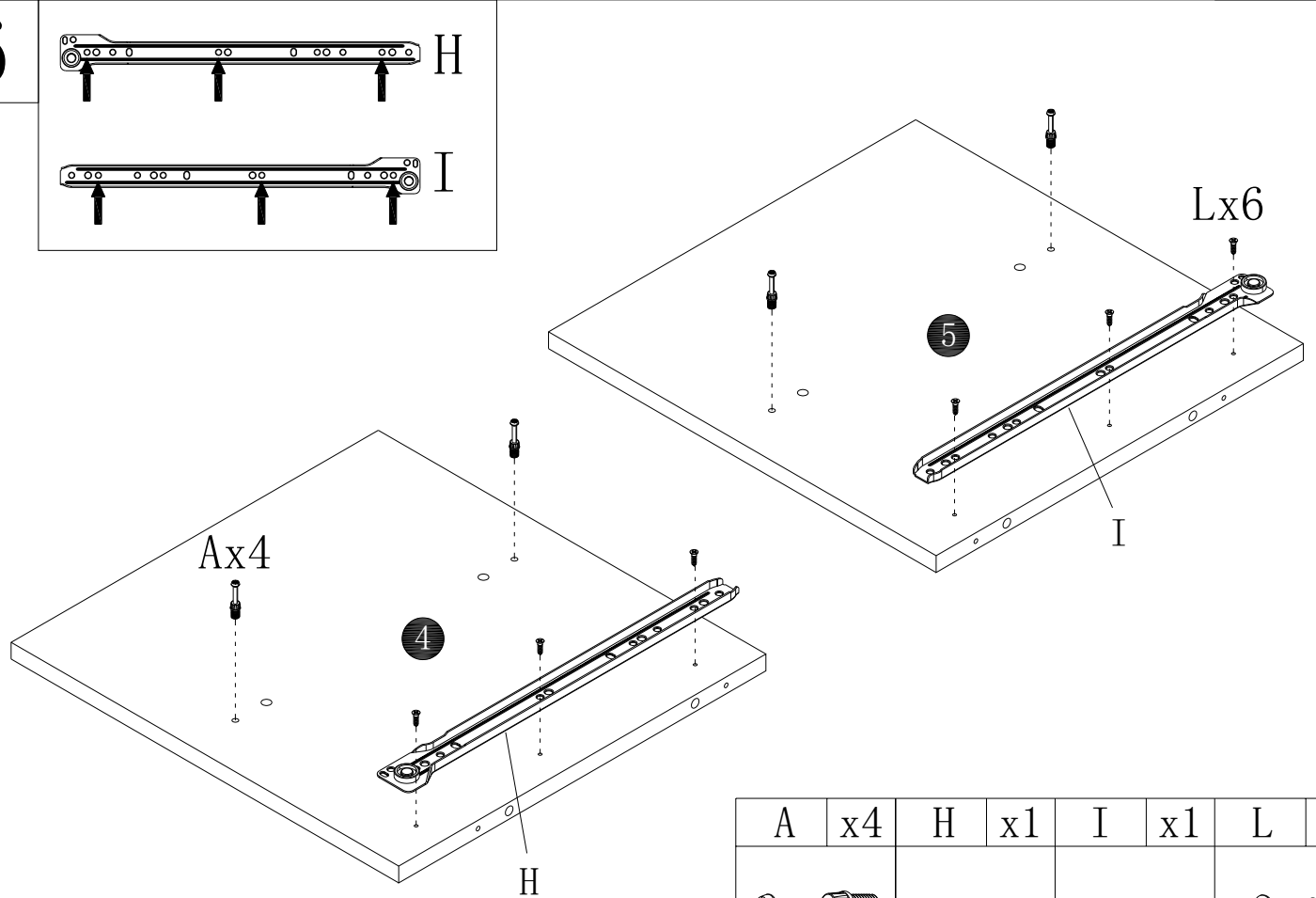
10

B	x16	C	x14
Ø15mm		Ø8x30mm	

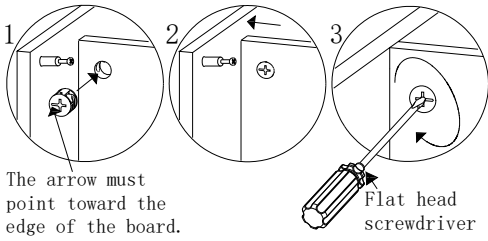
5



6

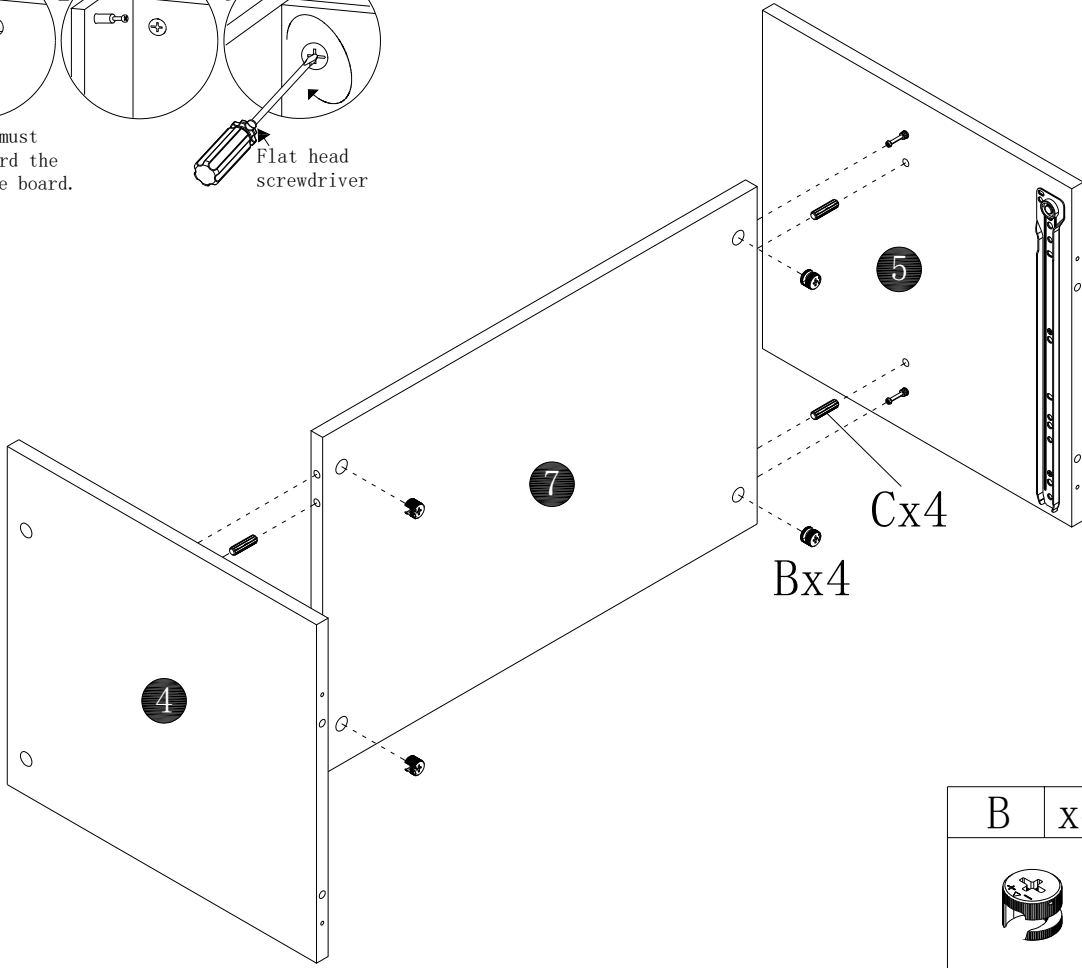




7



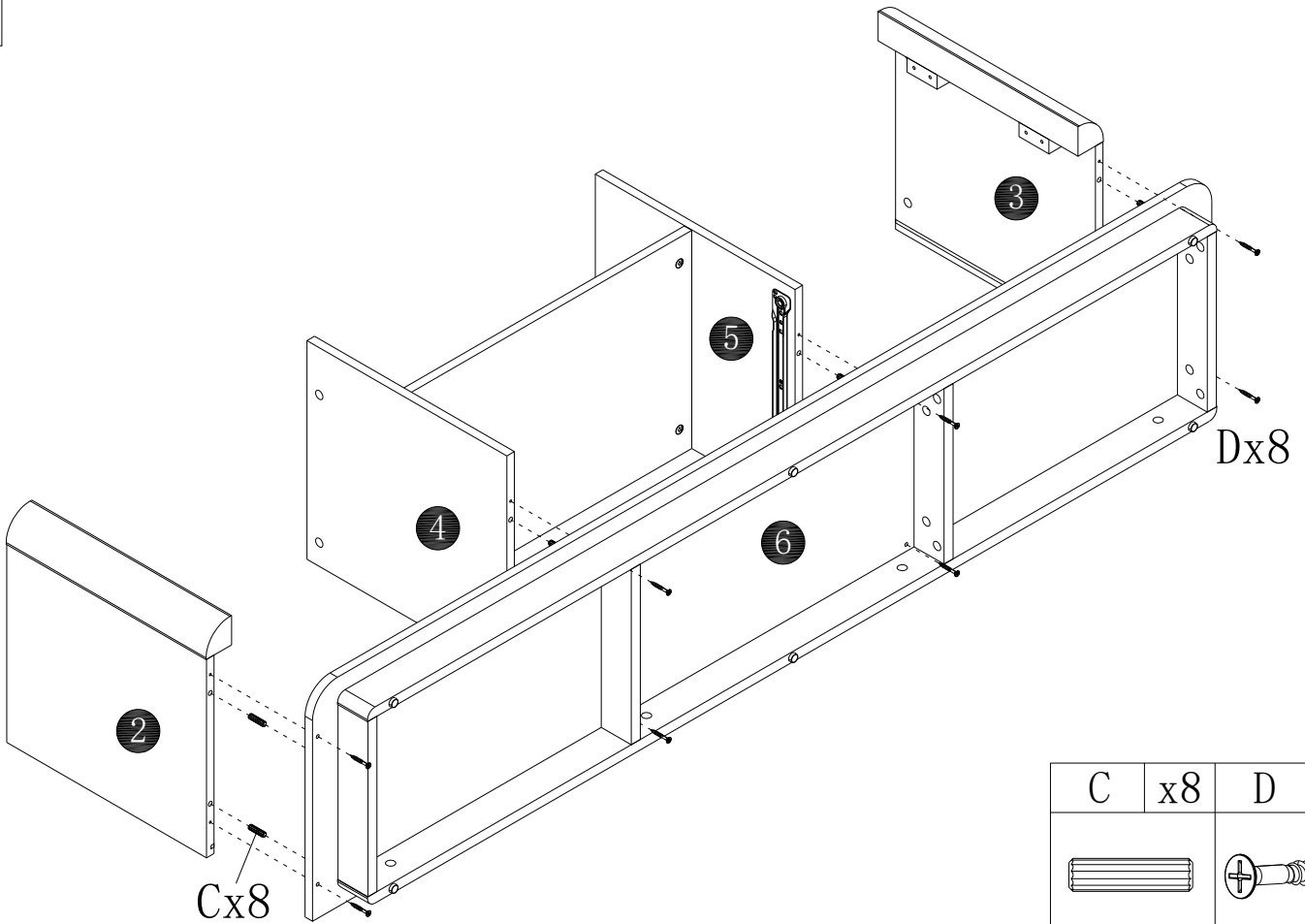
The arrow must point toward the edge of the board.


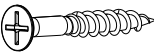
Flat head screwdriver



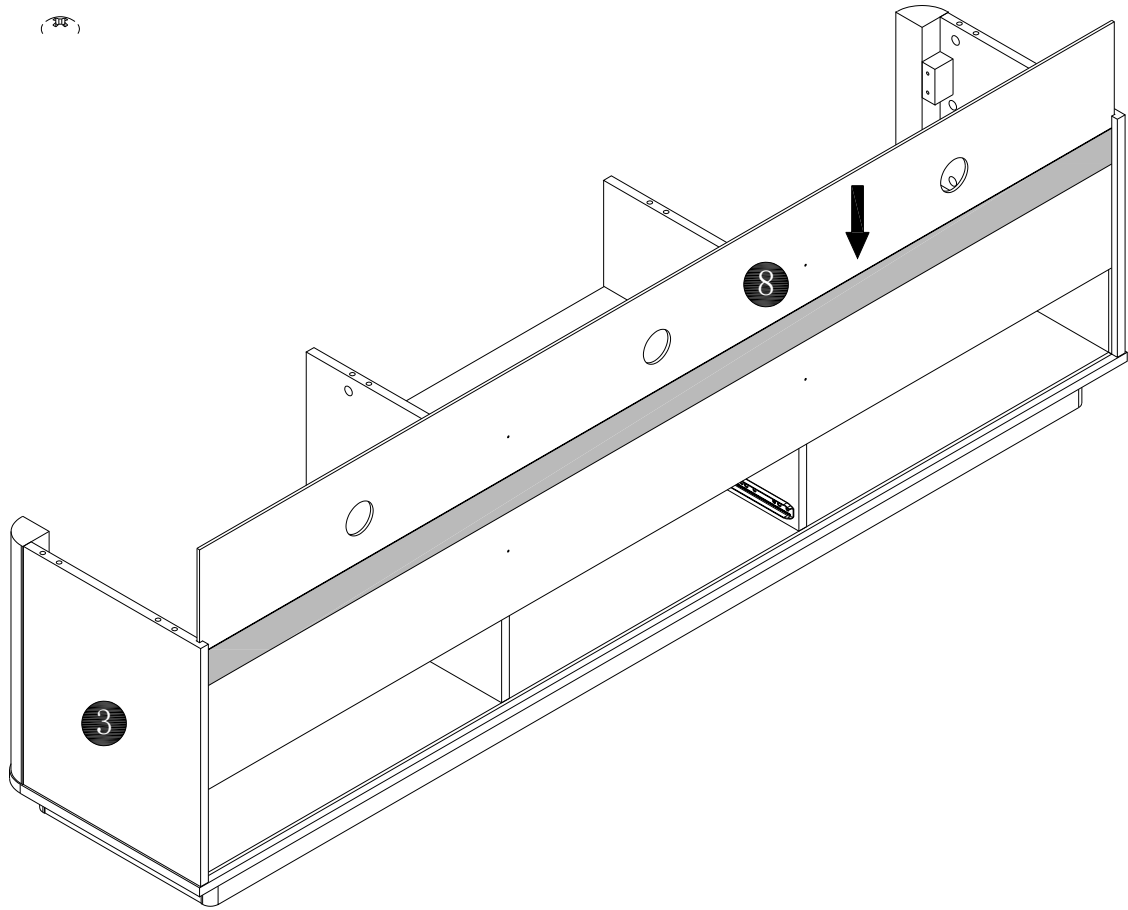
B	x4	C	x4
			
$\phi 15\text{mm}$		$\phi 8 \times 30\text{mm}$	

8

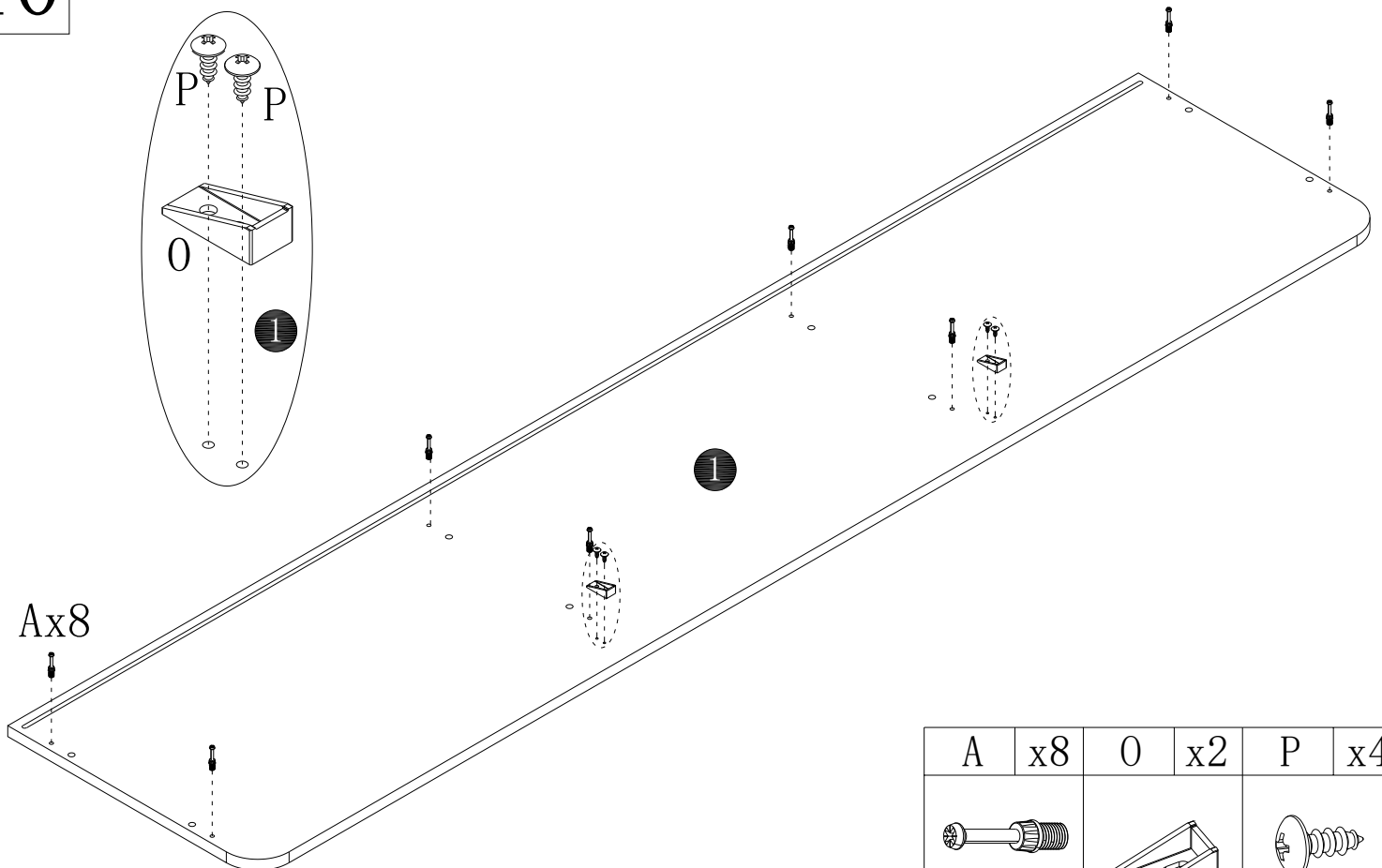


C	x8	D	x8
			
$\phi 8 \times 30\text{mm}$		M5x38mm	

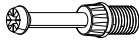


9



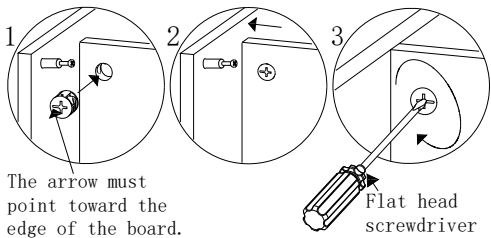
10



Ax8

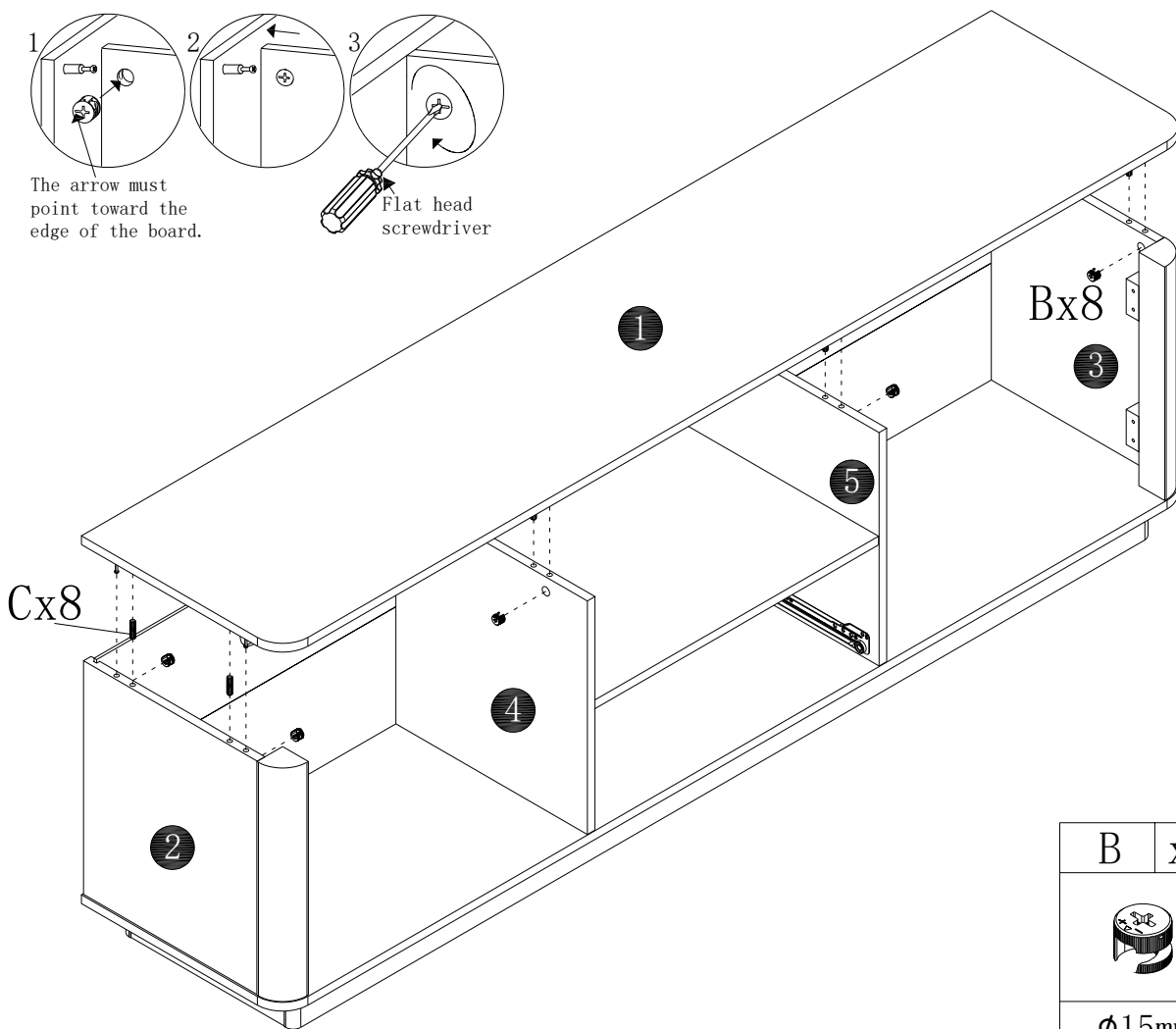
A	x8	0	x2	P	x4
					
M6x35mm				M3.5x14mm	



11



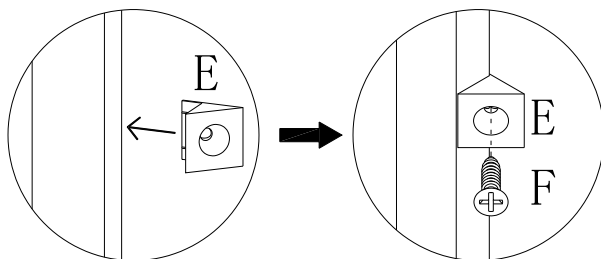
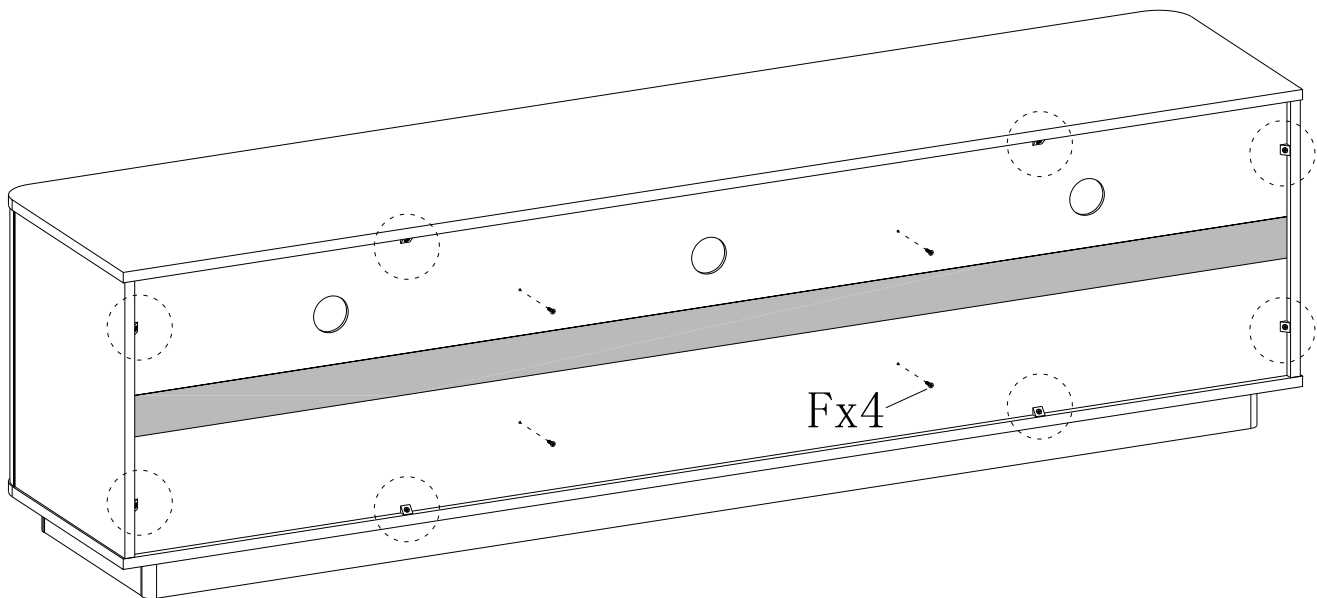
The arrow must point toward the edge of the board.



Flat head screwdriver



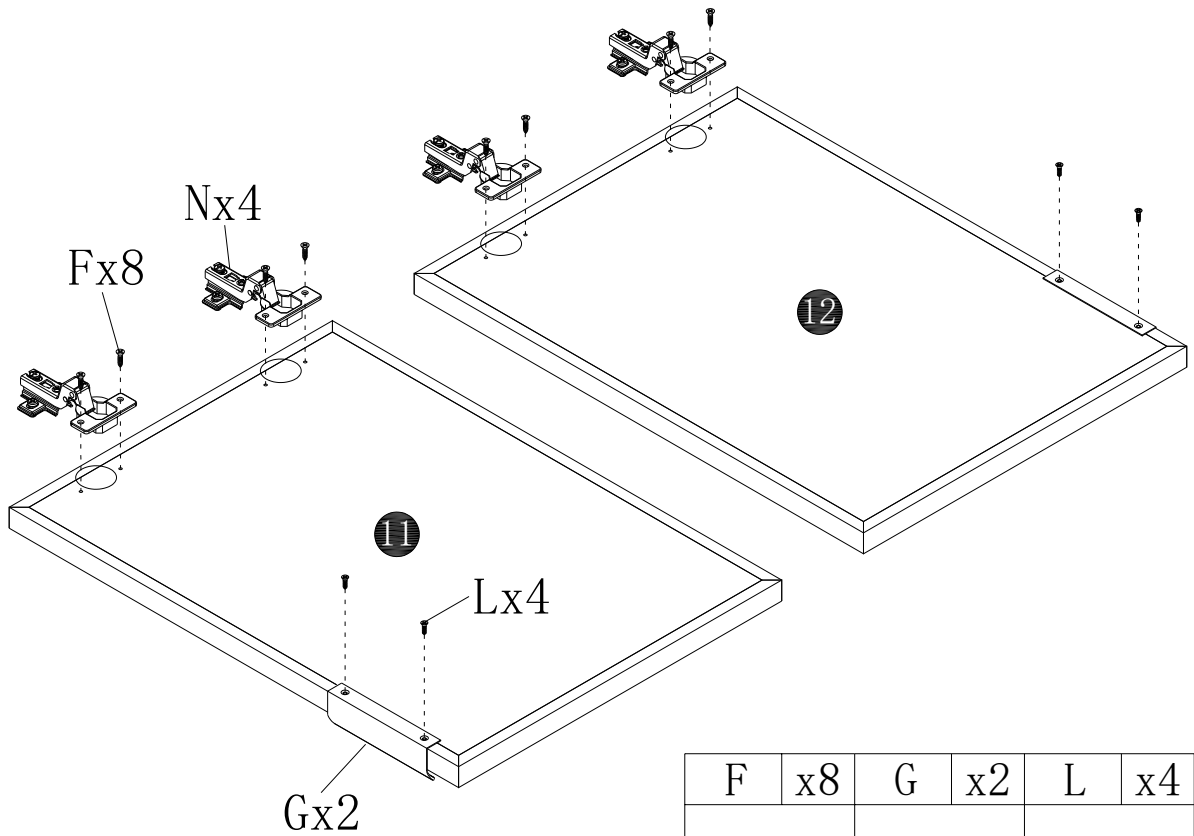
B	x8	C	x8
			
φ15mm		φ8x30mm	

12



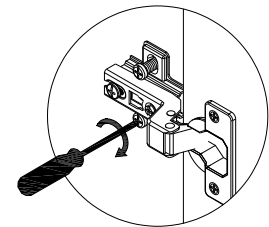
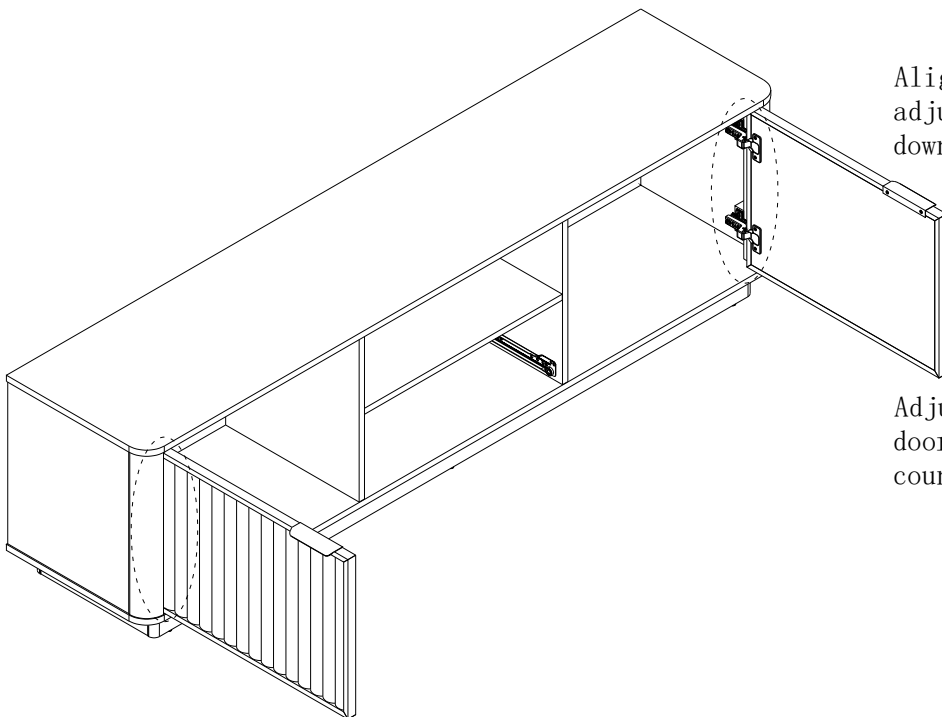
E	x8	F	x12
			
		M3. 5x16mm	

13

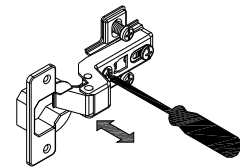


F	x8	G	x2	L	x4	N	x4
M3. 5x16mm				M3. 5x12mm			

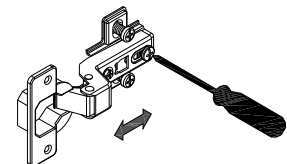
14



Align the screws with the reserved holes, adjust the position of the door up and down, and then tighten the screws.

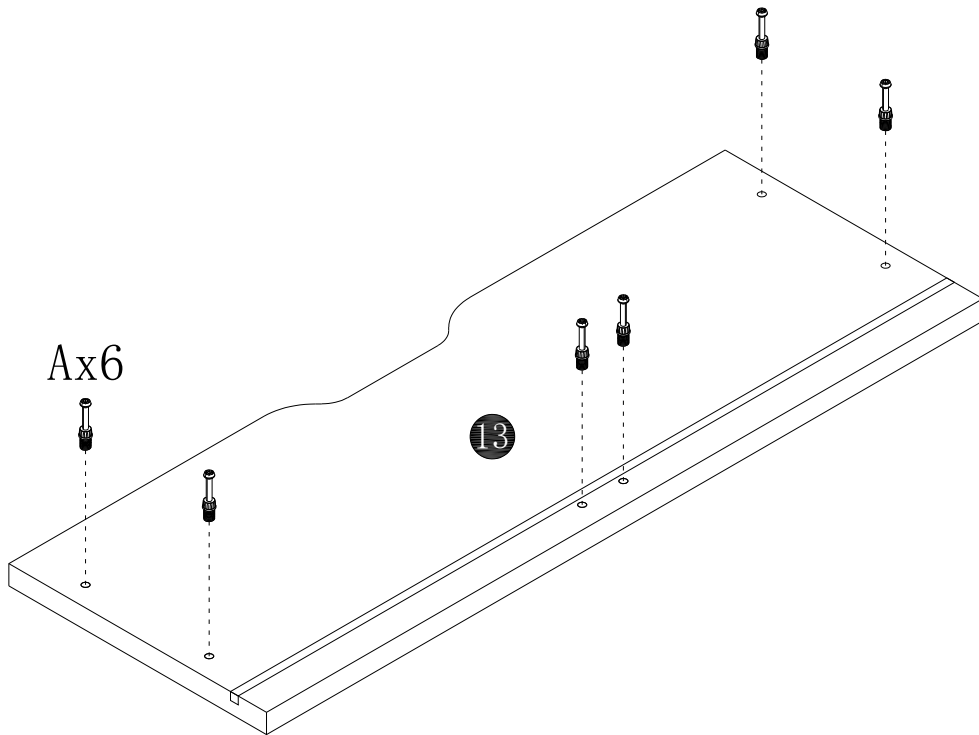


Adjust the left and right position of the door by rotating the screws counterclockwise or clockwise.



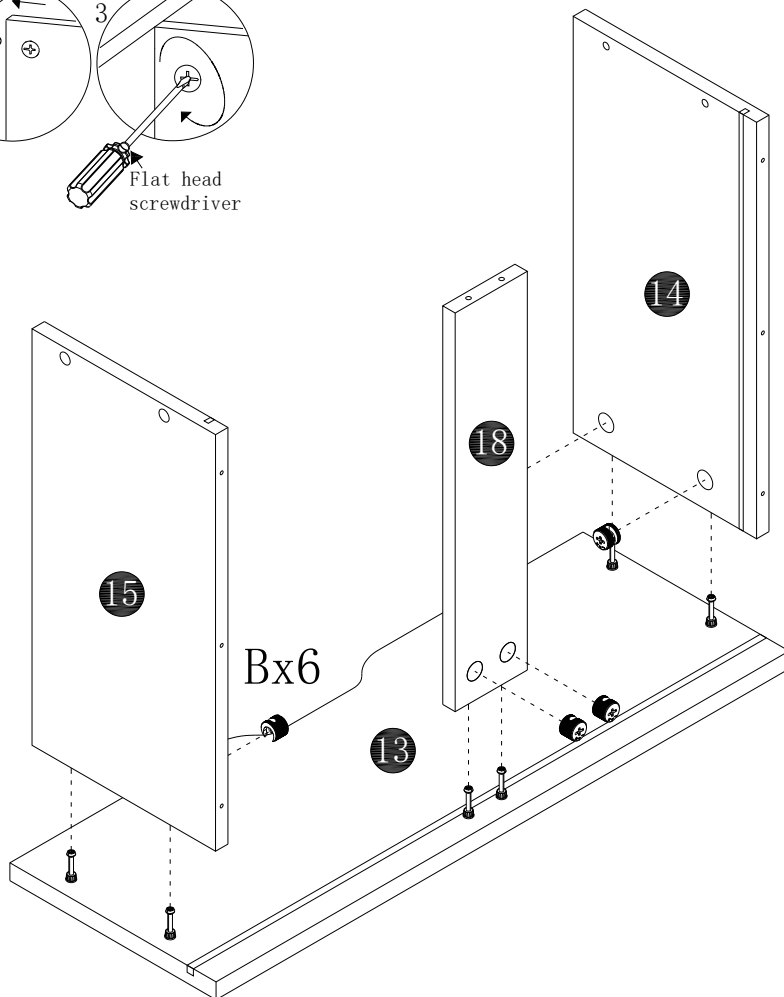
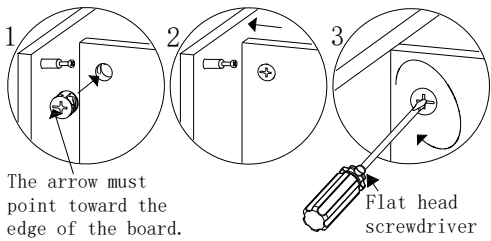
Loosen the screws, move the position of the door forward and backward. Then tighten the screws.

15



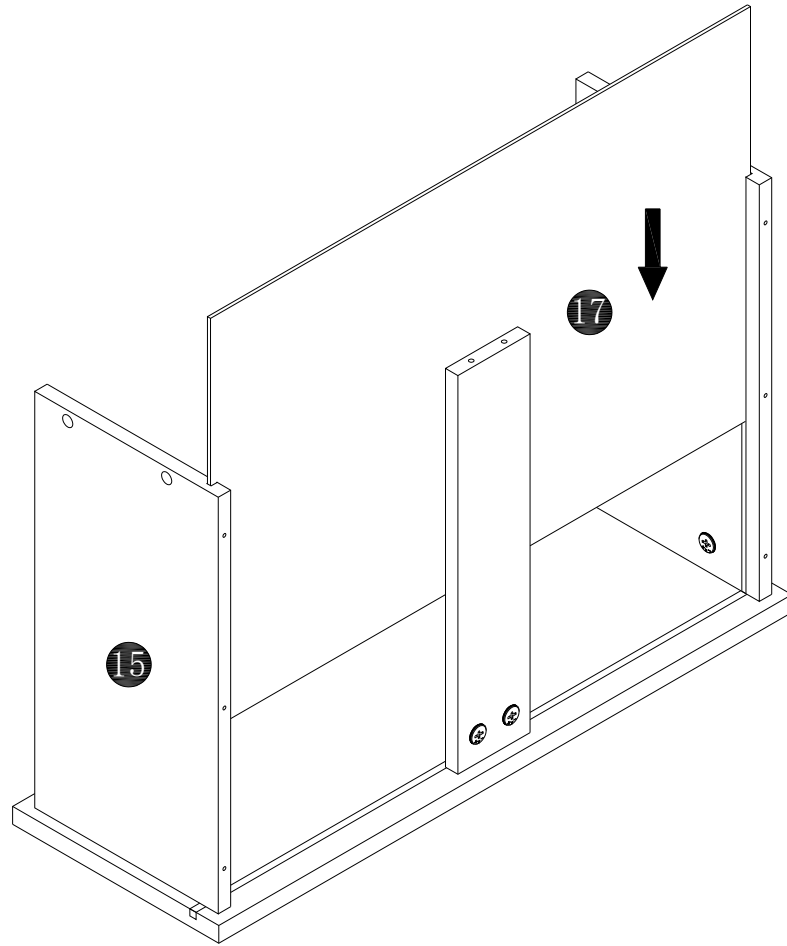
A	x6
M6x35mm	

16

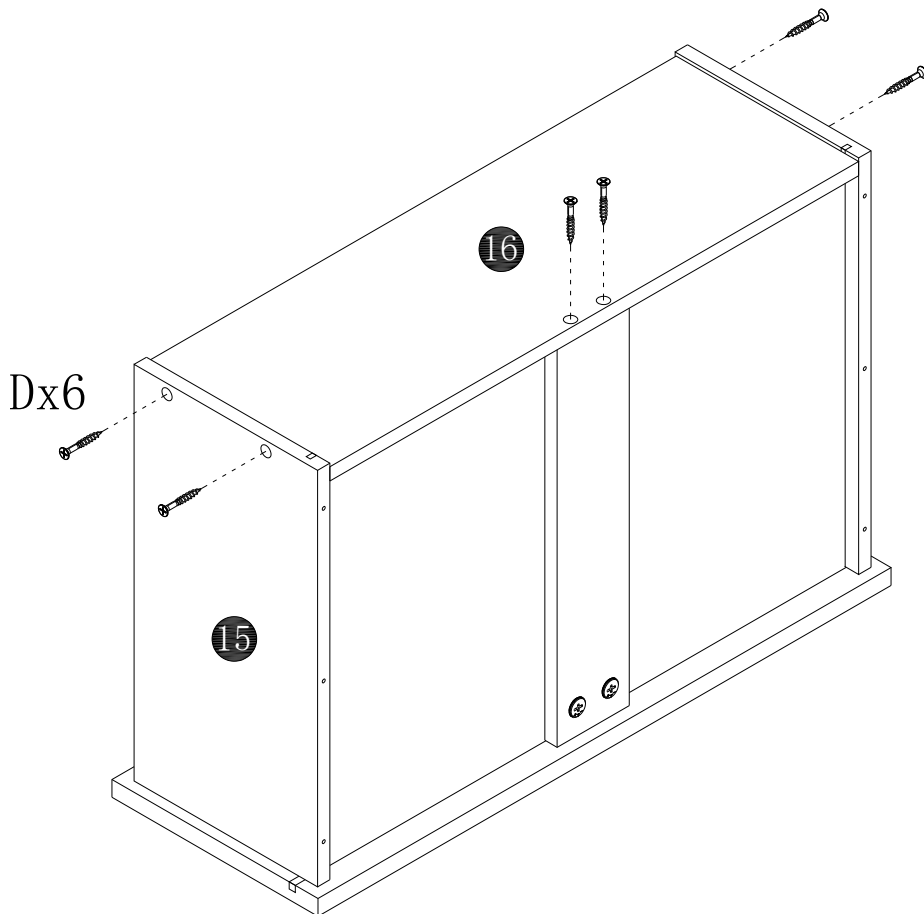


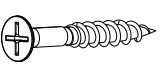
B	x6
Ø15mm	

17

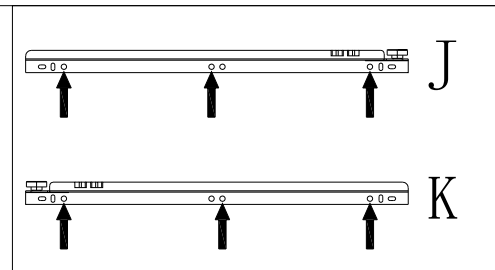
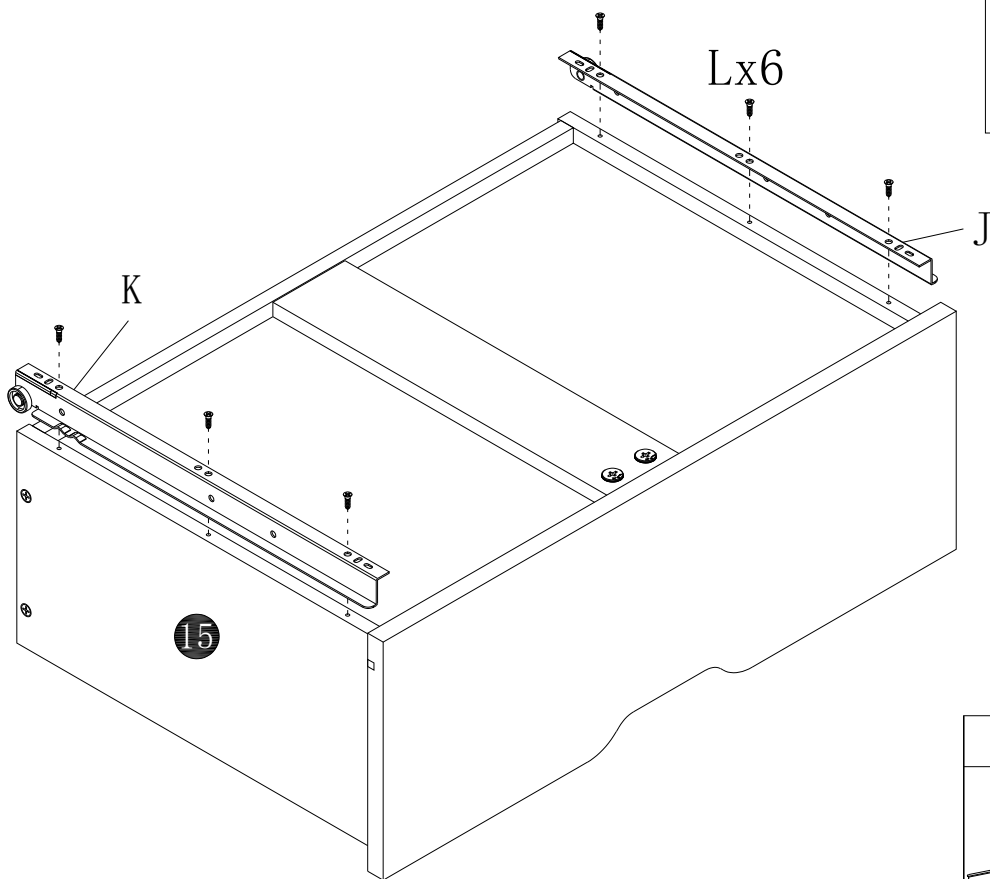





18



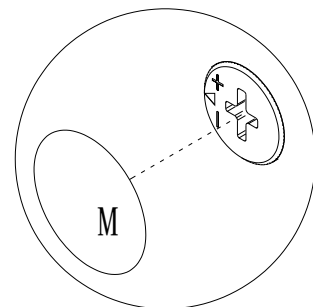
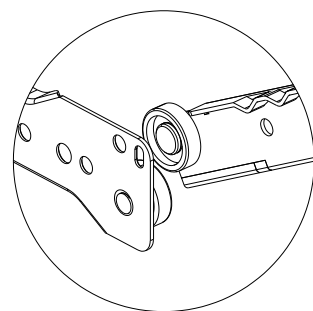
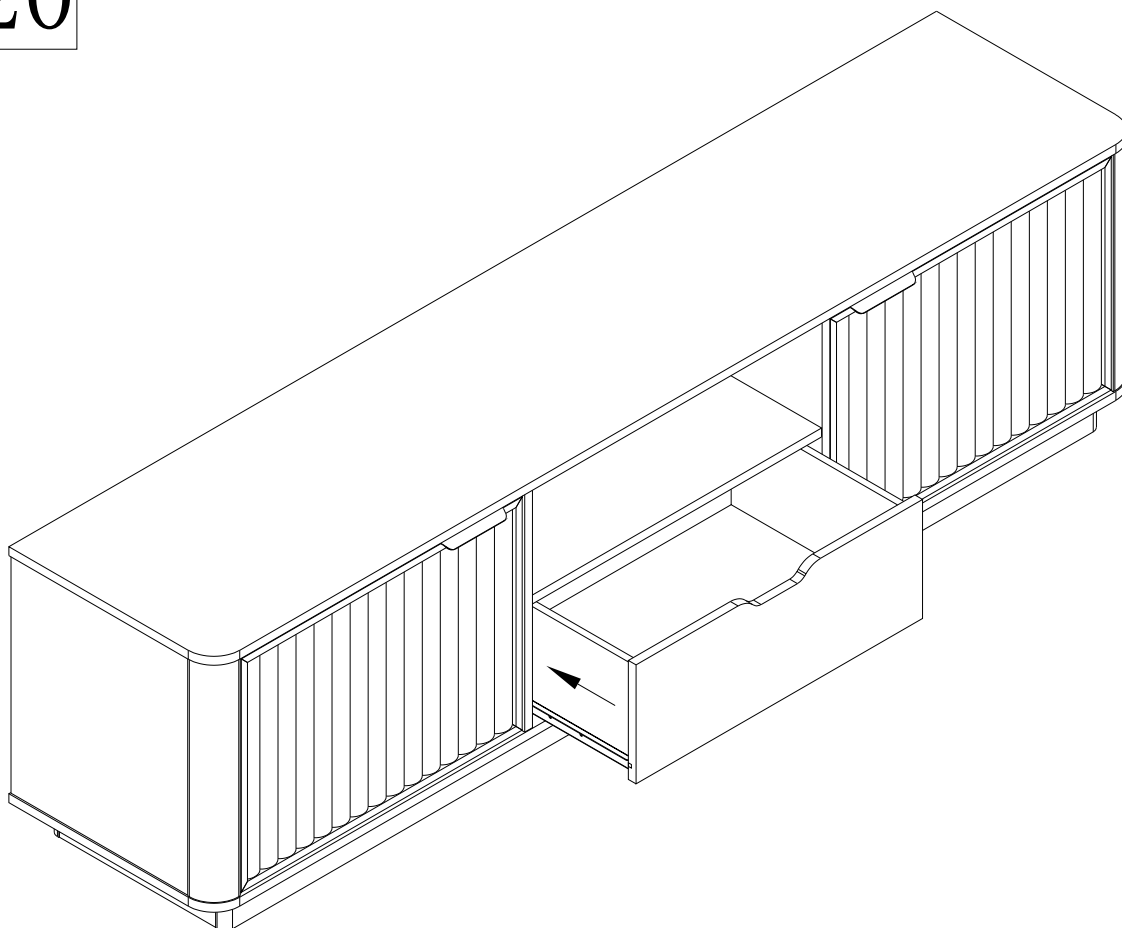
D	x6
	
M5x38mm	

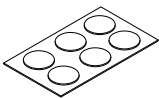
19



J	x1	K	x1	L	x6
					
					M3. 5x12mm

20



M	x3
	
Ø25	

