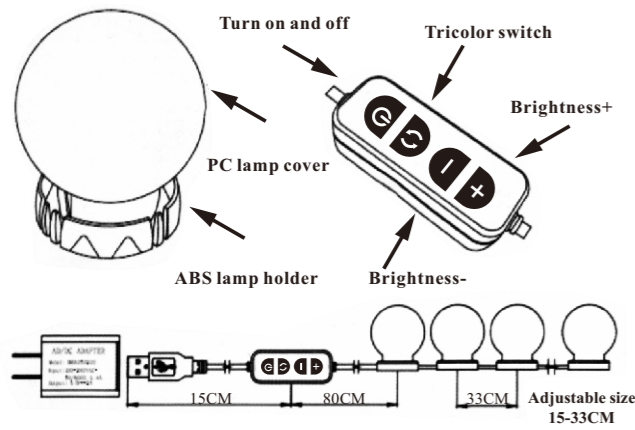


Functional Description:



Application notes:

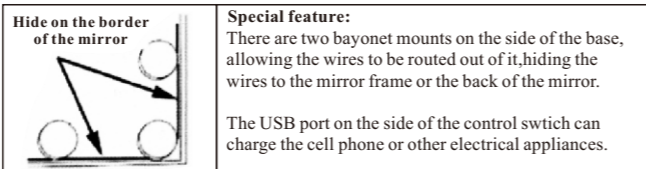
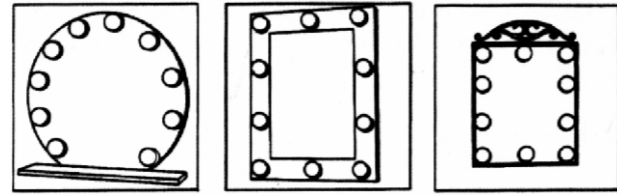
1. It is recommended to choose 2A or above USB power adapter, mobile phone charger and other standard USB mobile power can be use.
2. The product uses double-side adhesive paste fixed, requiring installation of the bonding surface must be clean, dry, smooth, can not have rust and oil.
3. The wire can be adjustable through the winding between the base slot, and the bulb spacing can be adjusted between 15-33CM.

Reminded: When the bulb is pasted, you must press the product for about 30 seconds, it takes 24 hours to achieve the best adhesive strength.

See Yourself Better!!!

Wisdom in design, Enjoy your life!

Install reference diagram:



Installation steps:

1. Cosmetic mirror or be installed surface treatment : should be sticky surface should be dry, clean, and no rust, oxidation, grease, dust and other pollutants.
2. According to the design of the number of mirrors and bulbs, each bulb installation location, note the lamp spacing of up to 33 CM, the minimum spacing of about 15 CM.
3. Remove the product to determine the power and control switch to place the seat is appropriate to determine the first light paste location (with the control switch to connect the first line).
4. The bottom of the product is double-side adhesive tape tear off the film, and then affixed to the first lamp position, forced down, so that double-side adhesive is pasted better. Make the tape and the bonding surface get full contact.

Thank you for purchasing our company's DIY makeup mirror fill Light products, this product supports DIY own home mirror, instantly make their own mirror into a modern fashion makeup with LED Fill mirror.

Product Features:

1. The standard USB power supply, safety voltage.
2. PC soft mask, don't stab the eyes.
3. Concealable wiring, simple and neat.
4. All transparent lines, beautiful and stylish.
5. Multilevel luminance adjustable, beauty skin and beauty face.

Product parameters:

Product Name: Vanity Mirror Lights.
 Bulb Size: 45X45X51mm.
 Power Supply: Standard USB 5V 2A or above.
 LED colour temperature: 6000K-6500K
 Power: a single lamp maximum power is 1.6W.
 Material: ABS lamp holder and PC lampshade.

Wisdom in design:

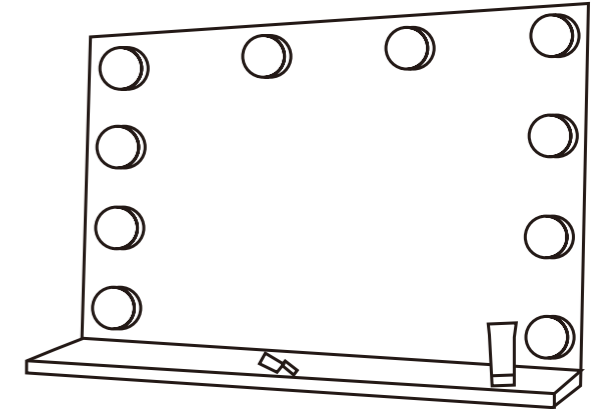
It is easy and convenient to use sticker for mirror glass, wood, plastic and metal surface. According to their own unique design DIY installed in the dresser fill light and decoration.

Rest assured dressing:

USB 5V low voltage power supply, safe! Multilevel luminance adjustable, suitable for different dressing needs.
 Use the installation details see inside pages.

Vanity Mirror Lights

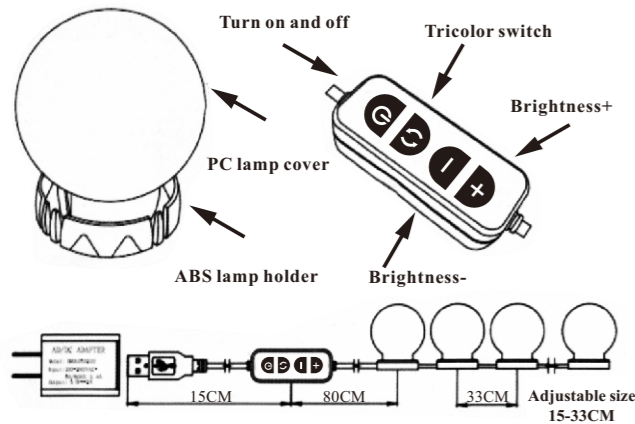
Instructions



See Yourself Better!!!

Wisdom in design, Enjoy your life!

Functional Description:



Application notes:

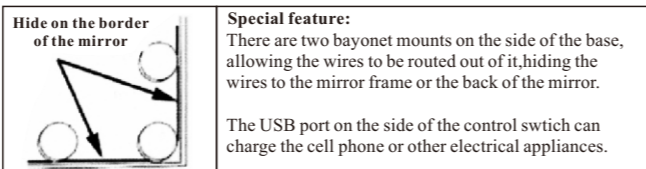
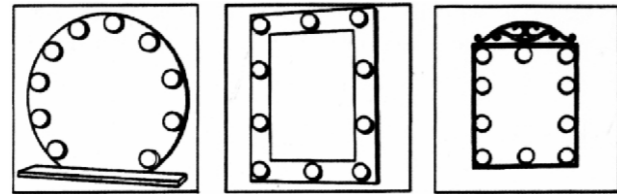
1. It is recommended to choose 2A or above USB power adapter, mobile phone charger and other standard USB mobile power can be use.
2. The product uses double-side adhesive paste fixed, requiring installation of the bonding surface must be clean, dry, smooth, can not have rust and oil.
3. The wire can be adjustable through the winding between the base slot, and the bulb spacing can be adjusted between 15-33CM.

Reminded: When the bulb is pasted, you must press the product for about 30 seconds, it takes 24 hours to achieve the best adhesive strength.

See Yourself Better!!!

Wisdom in design, Enjoy your life!

Install reference diagram:



Installation steps:

1. Cosmetic mirror or be installed surface treatment : should be sticky surface should be dry, clean, and no rust, oxidation, grease, dust and other pollutants.
2. According to the design of the number of mirrors and bulbs, each bulb installation location, note the lamp spacing of up to 33 CM, the minimum spacing of about 15 CM.
3. Remove the product to determine the power and control switch to place the seat is appropriate to determine the first light paste location (with the control switch to connect the first line).
4. The bottom of the product is double-side adhesive tape tear off the film, and then affixed to the first lamp position, forced down, so that double-side adhesive is pasted better. Make the tape and the bonding surface get full contact.

Thank you for purchasing our company's DIY makeup mirror fill Light products, this product supports DIY own home mirror, instantly make their own mirror into a modern fashion makeup with LED Fill mirror.

Product Features:

1. The standard USB power supply, safety voltage.
2. PC soft mask, don't stab the eyes.
3. Concealable wiring, simple and neat.
4. All transparent lines, beautiful and stylish.
5. Multilevel luminance adjustable, beauty skin and beauty face.

Product parameters:

Product Name: Vanity Mirror Lights.
 Bulb Size: 45X45X51mm.
 Power Supply: Standard USB 5V 2A or above.
 LED colour temperature: 6000K-6500K
 Power: a single lamp maximum power is 1.6W.
 Material: ABS lamp holder and PC lampshade.

Wisdom in design:

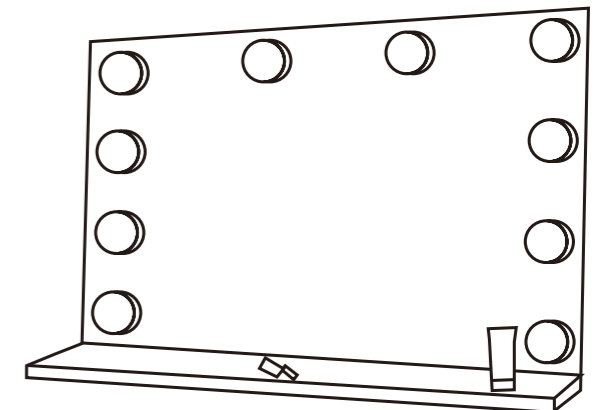
It is easy and convenient to use sticker for mirror glass, wood, plastic and metal surface. According to their own unique design DIY installed in the dresser fill light and decoration.

Rest assured dressing:

USB 5V low voltage power supply, safe! Multilevel luminance adjustable, suitable for different dressing needs.
 Use the installation details see inside pages.

Vanity Mirror Lights

Instructions



See Yourself Better!!!

Wisdom in design, Enjoy your life!