
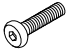









# ASSEMBLY INSTRUCTIONS

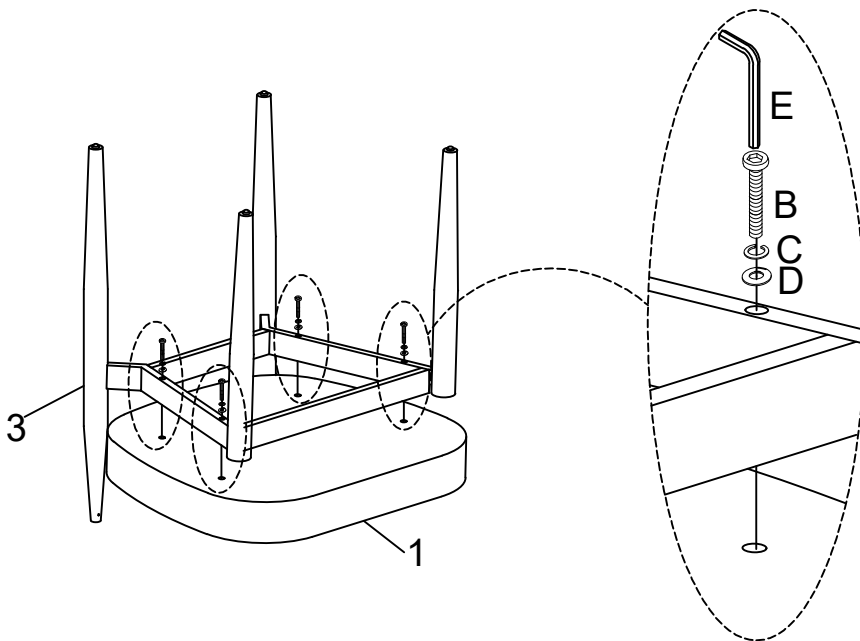
## HARDWARE LIST

NO.	SKETCH	DESCRIPTION	QTY
A		Bolt(M5x4mm)	4 PCS
B		Bolt(1/4" x 2-1/8")	4 PCS
C		Spring Washer(1/4")	4 PCS
D		Washer(1/4")	4 PCS
E		Allen Wrench(4mm)	1 PC
F		Allen Wrench(2.5mm)	1 PC

## PARTS LIST

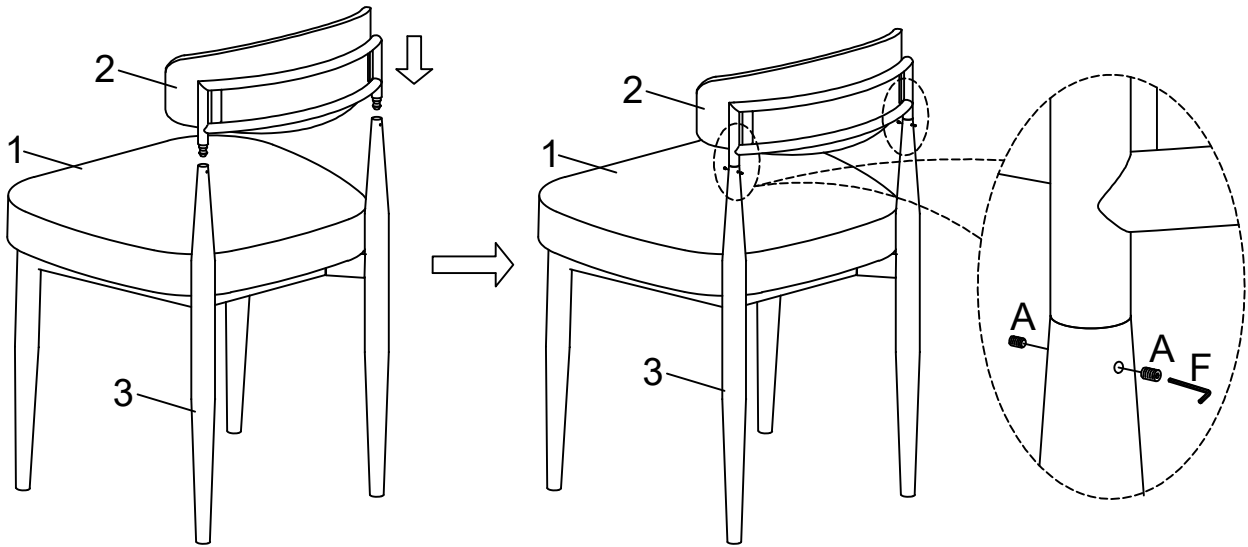
NO.	SKETCH	DESCRIPTION	QTY
1		Seat	1 PC
2		Backrest	1 PC
3		Metal frame	1 PC

### Step 1

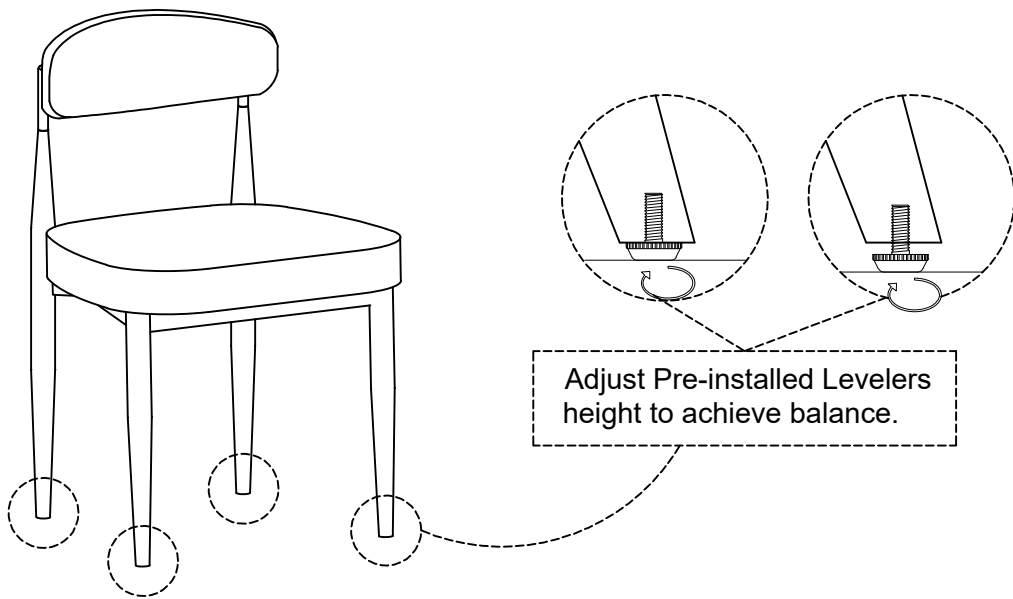


# ASSEMBLY INSTRUCTIONS

## Step 2



## Step 3



## Step 4

