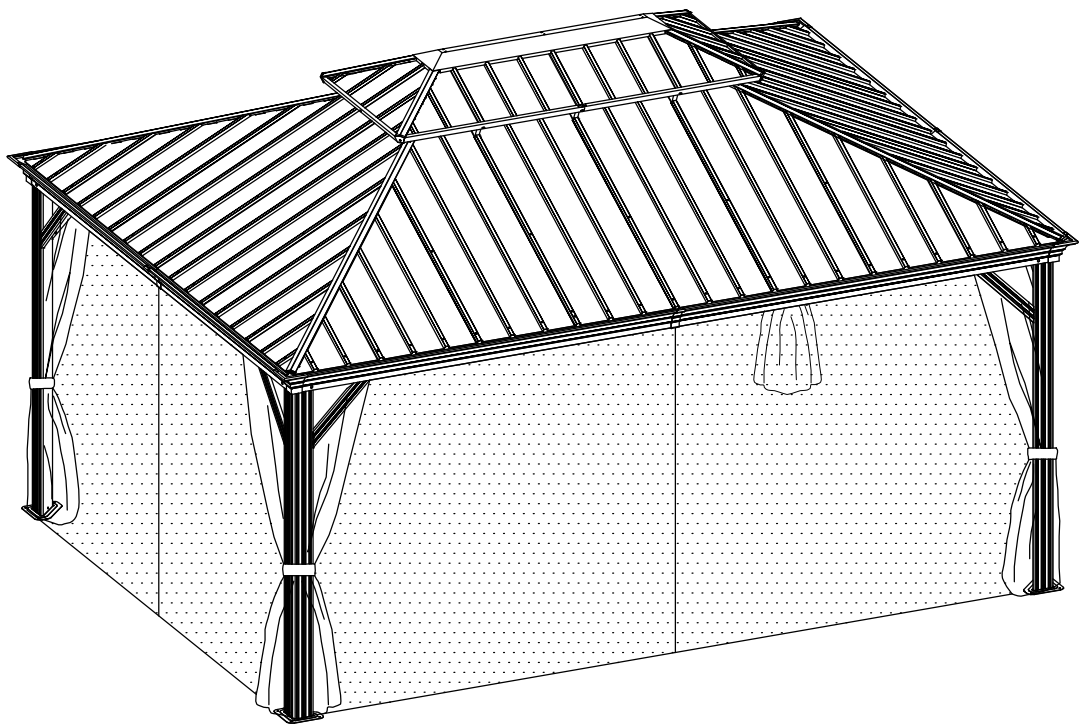


12 x 16FT

▯ ▯ ▯ ▯ ▯ ▯ ▯ ▯ XWG-216MS-2 ▯ ▯ ▯ ▯ ▯ ▯ ▯ ▯





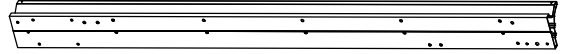
(A) 4x



(B1) 2x



(B2) 2x



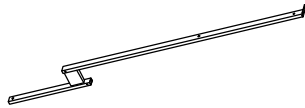
(B5) 2x



(B6) 2x



(E) 4x



(E1) 8x



(C1) 2x



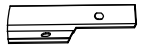
(C2) 2x



(C5) 2x



(C6) 2x



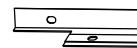
(D1) 2x



(D2) 2x



(D3) 2x



(D4) 2x



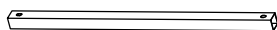
(D5) 2x



(D6) 2x



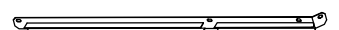
(F1) 8x



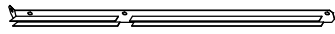
(F2) 4x



(I1) 2x



(I3) 2x



I4 2x



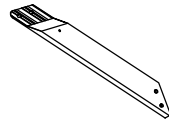
G1 2x



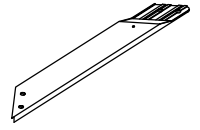
G3 2x



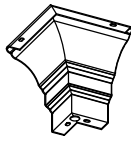
G4 2x



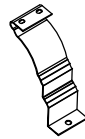
H 4x



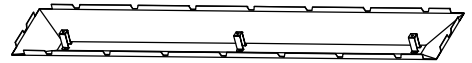
H1 4x



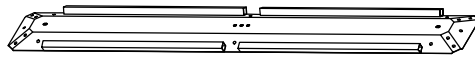
K 4x



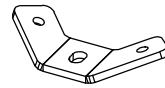
K1 4x



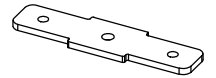
M3 1x



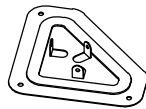
L3 1x



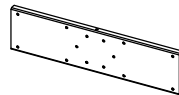
W 4x



W1 8x



J 4x



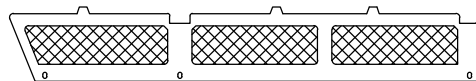
P 4x



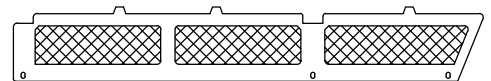
V 4x



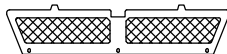
E5 4x



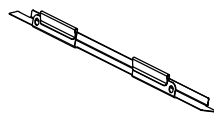
V3a 2x



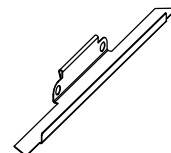
V3b 2x



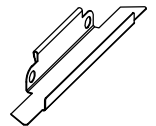
V1 2x



Z 64x



Z1 8x



Z2 8x



U 128x





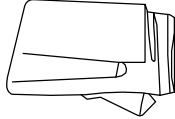
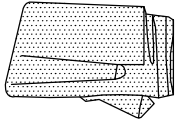
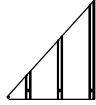
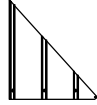
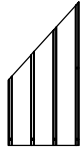
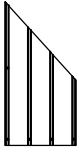


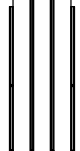
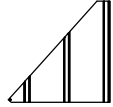
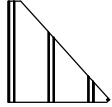








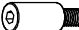


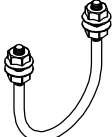


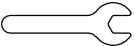

N 8x



N1 2x



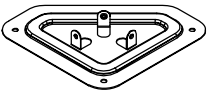
Y 96x

 W3 8x	 W4 8x	 T 4x	 T1 4x
 R1 4x	 R2 4x	 R3 4x	 R4 4x
 R5 4x	 R6 4x	 R7 4x	
 S1 4x	 S2 4x	 S3 4x	
 M6x15 1 289x	 M6x23 2 72x	 M6x25 3 8x	 ST 4.8x12 4 24x
 5 2x	 M6x42 6 8x	 M6x47 7 8x	 8 16x
 M6x10 9 8x	 10 12x	 11 1x	 4mm 12 2x
 6mm 13 1x	 14 1x	 M5x15 15 40x	

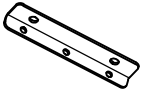
<1>



A 4x



J 4x



W3 8x



W4 8x



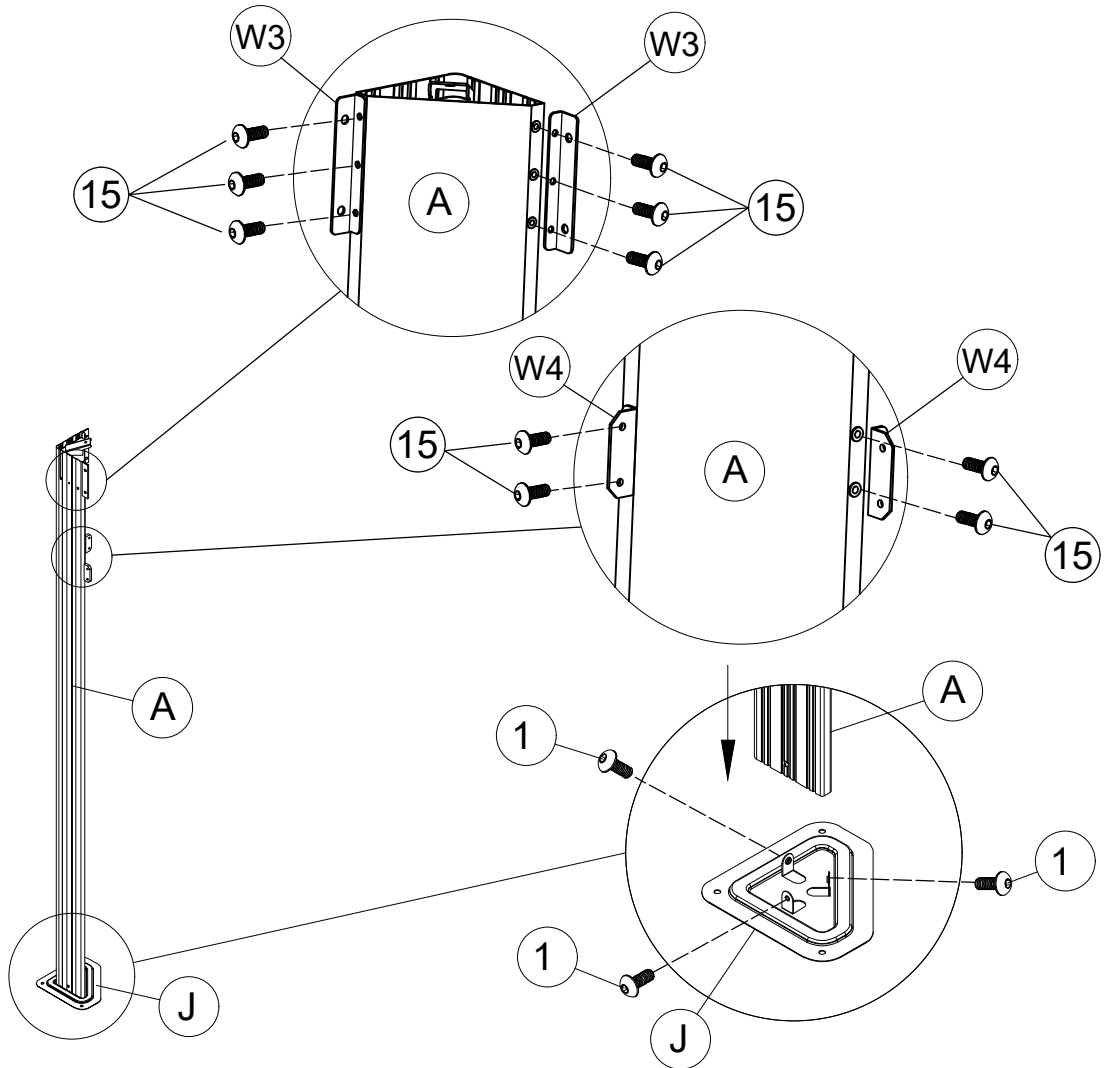
M6x15

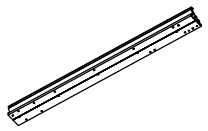
1 12x



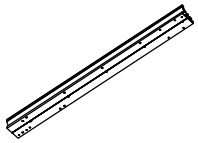
M5x15

15 40x





B1 2x



B2 2x



C1 2x



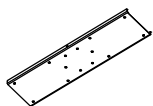
C2 2x



D1 2x



D2 2x



P 2x

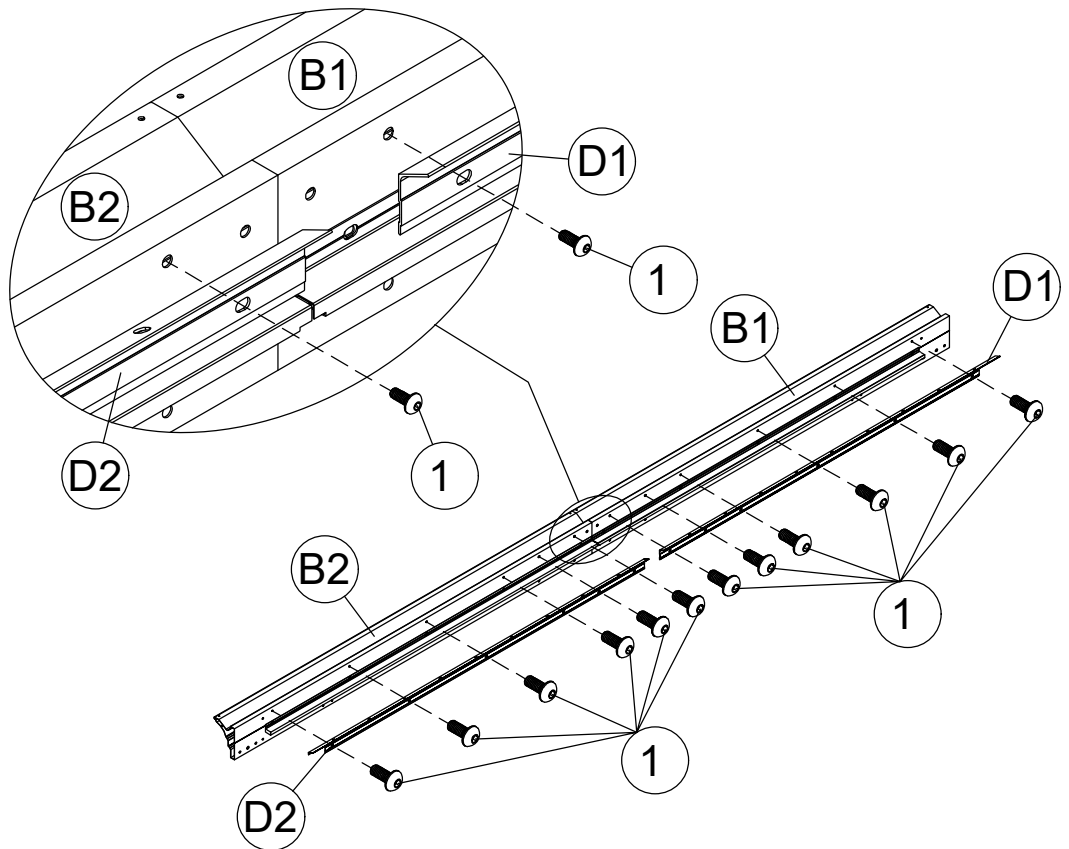
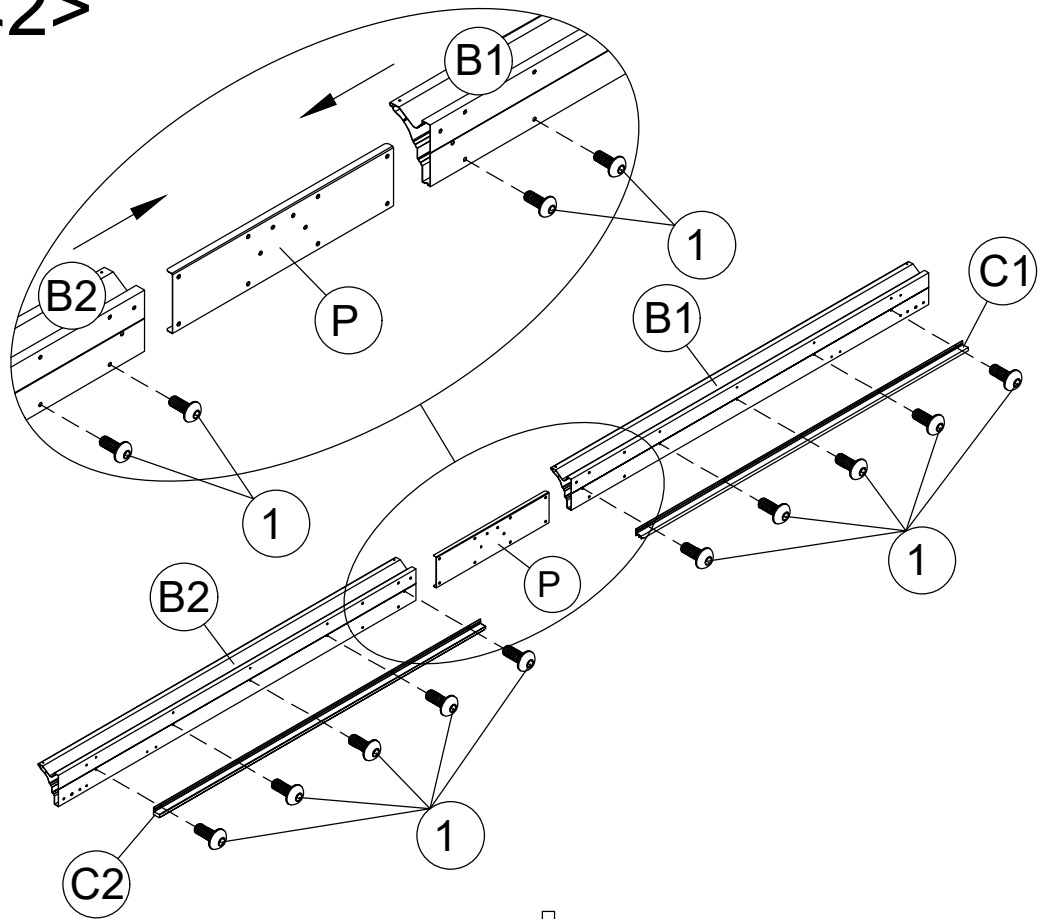


M6x15

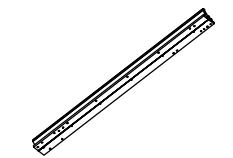
1 52x

6

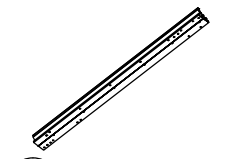
<2>



<3>



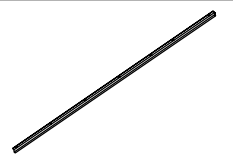
B5 2x



B6 2x



C5 2x



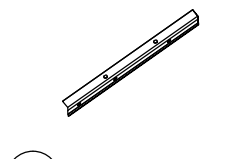
C6 2x



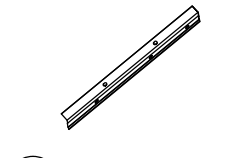
D3 2x



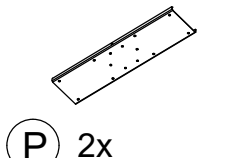
D4 2x



D5 2x

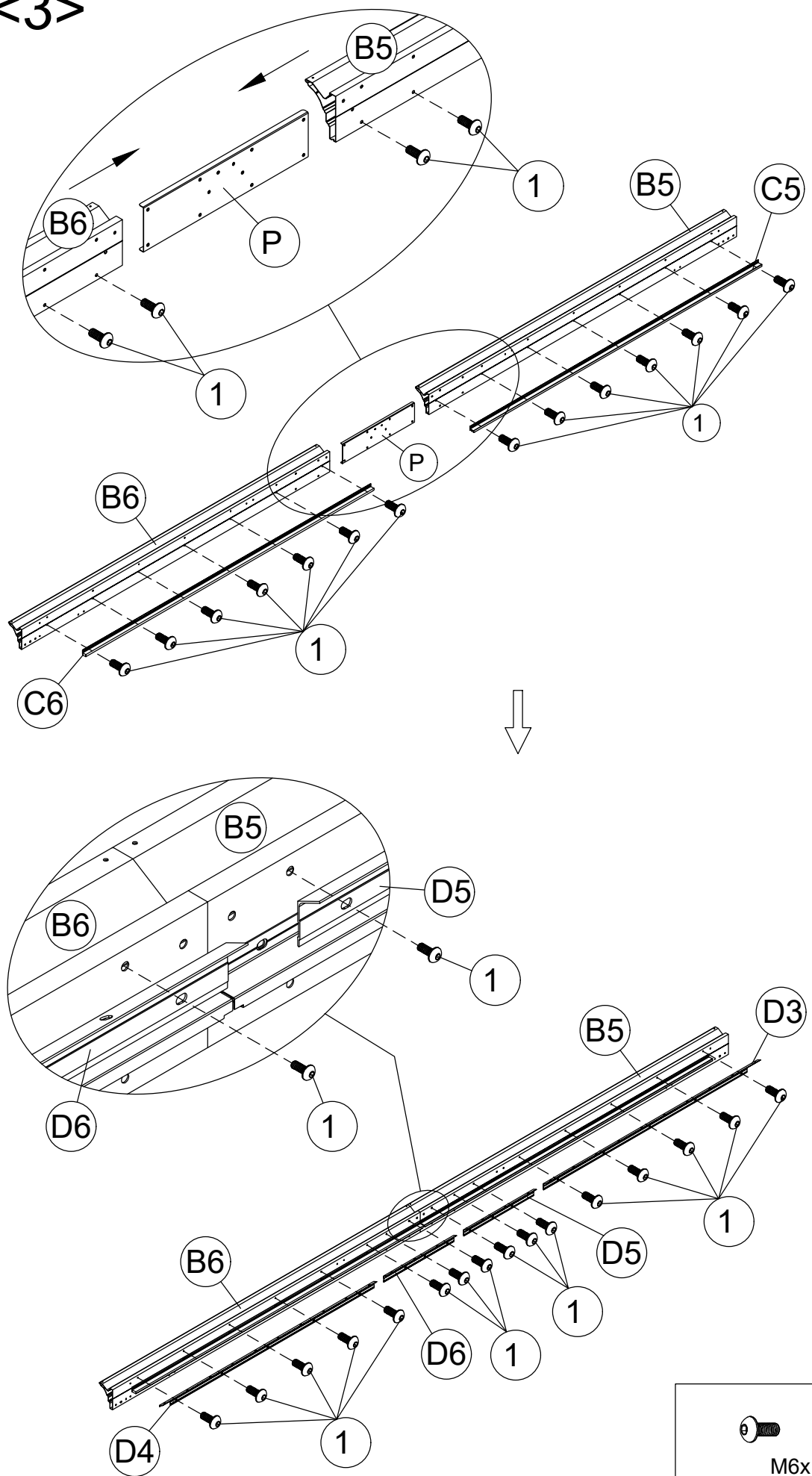


D6 2x



P 2x

7



M6x15

1 68x



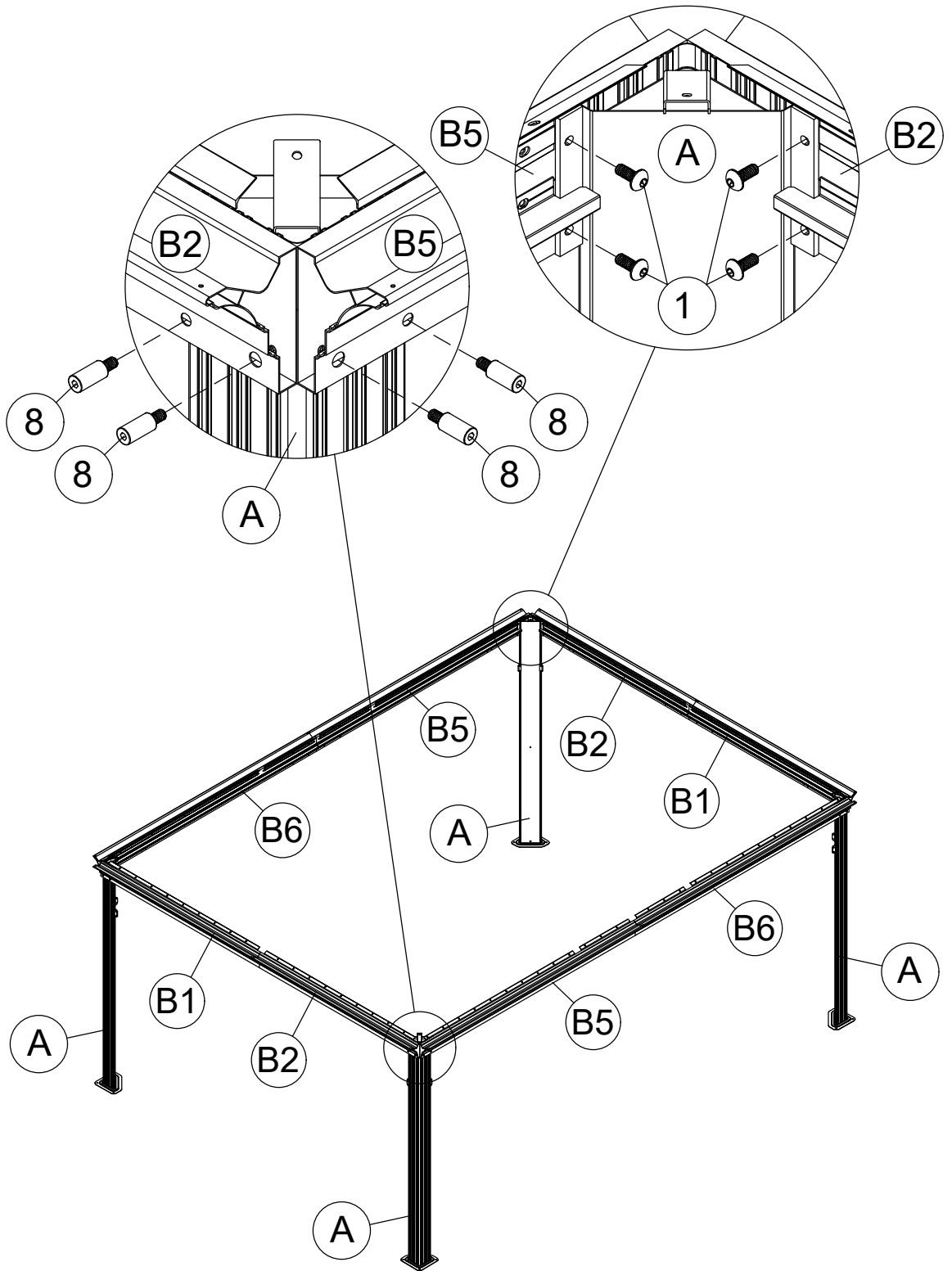
M6x15

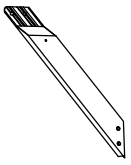
1 16x



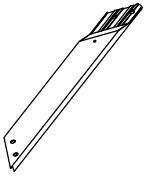
8 16x

<4>





(H) 4x



(H1) 4x



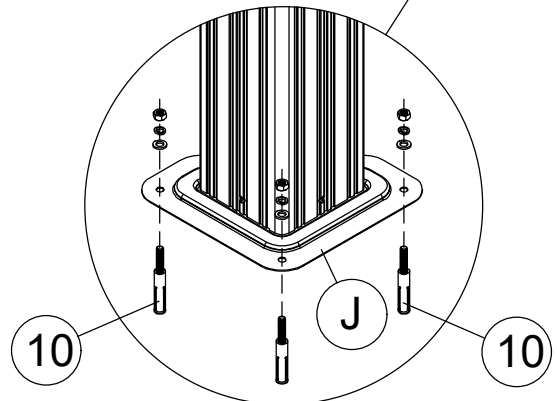
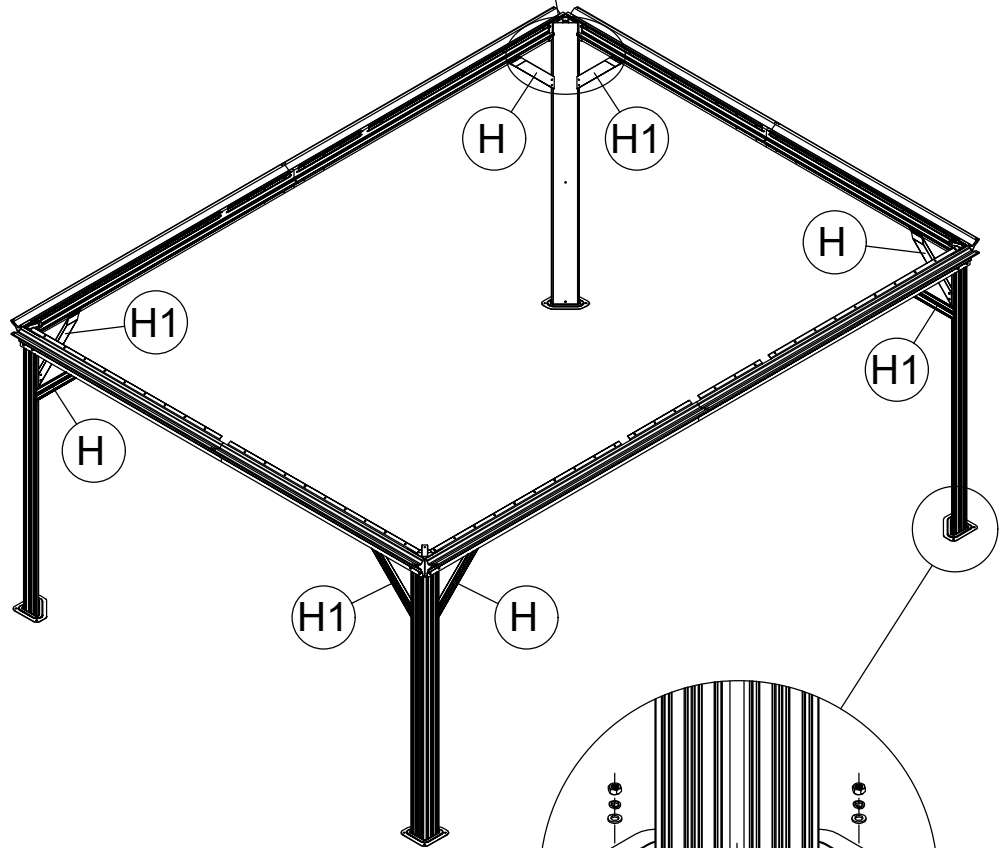
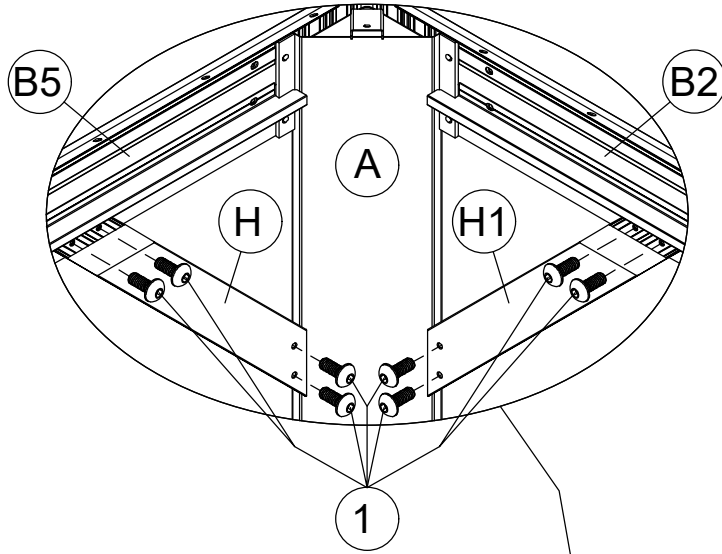
M6x15

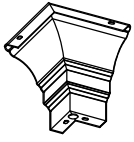
(1) 32x



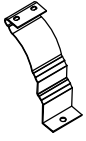
(10) 12x

<5>





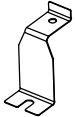
K 4x



K1 4x



U 128x



V 4x



M6x15

1 4x

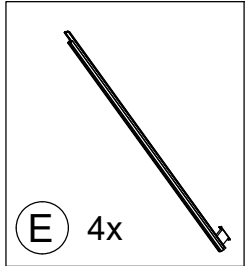


ST 4.8x12

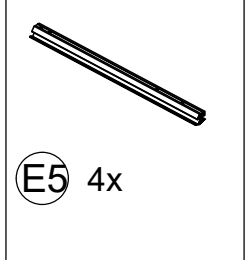
4 24x

<6>

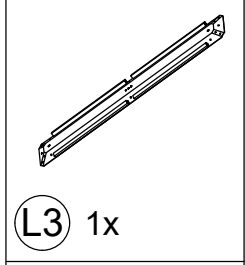




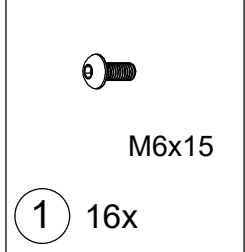
E 4x



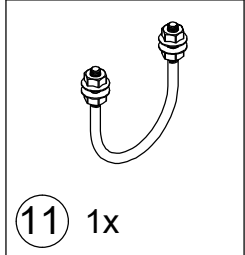
E5 4x



L3 1x

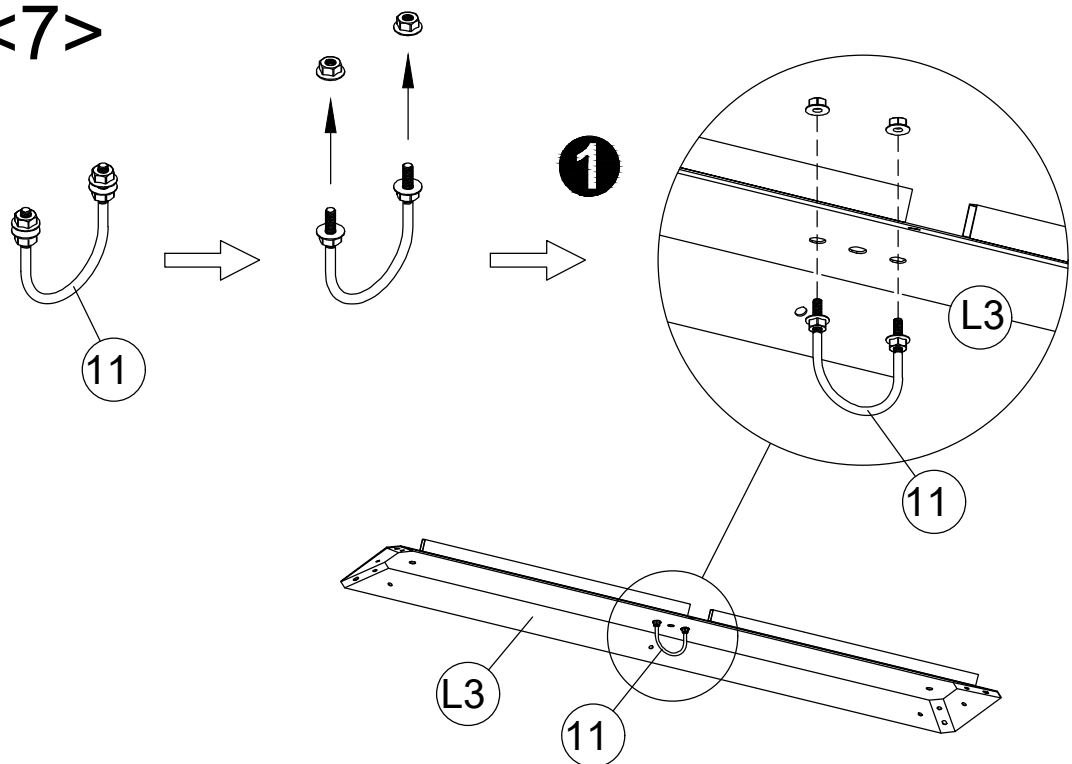


1 16x

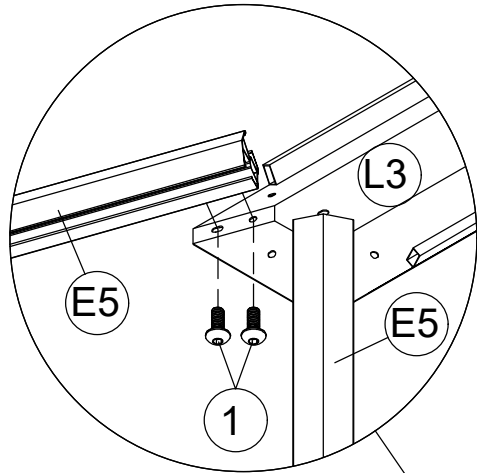


11 1x

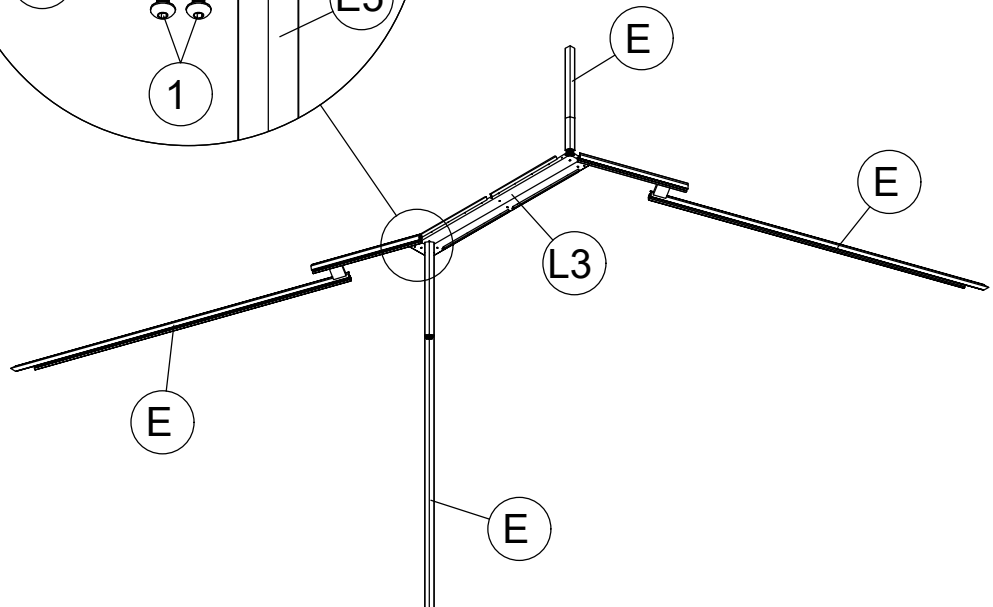
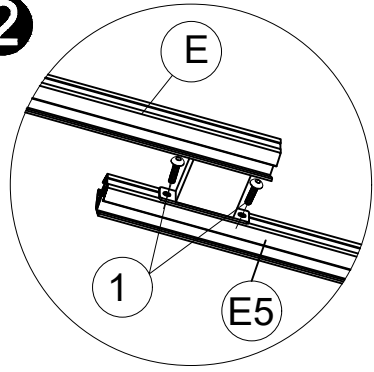
<7>



3



2



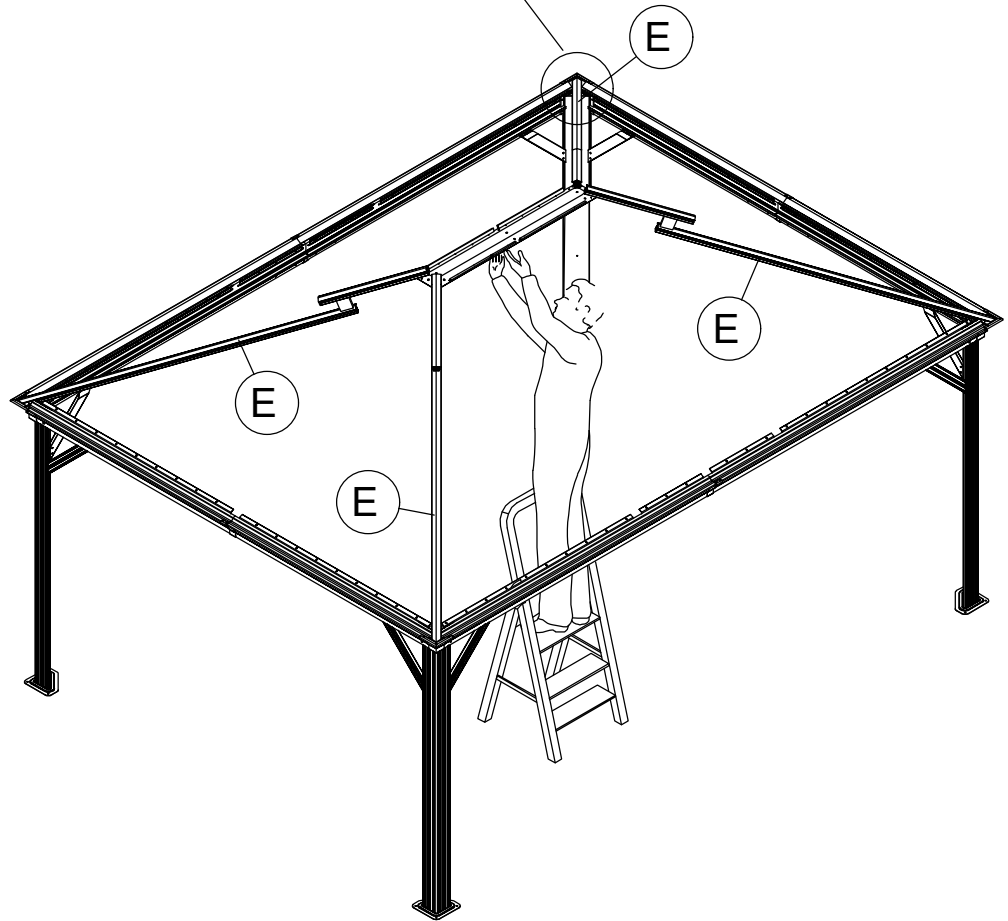
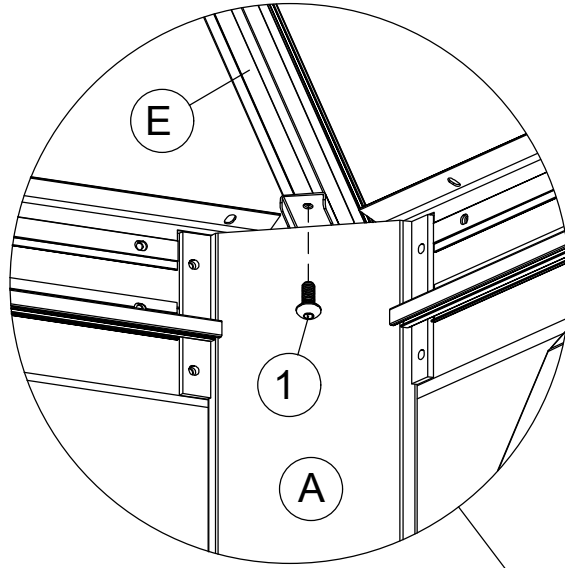
11



M6x15

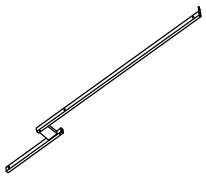
1 4x

<8>



Note:

1. Let one person stand on the ladder to lift "L3" and hold and let others fasten the screws connecting both ends of "E".
2. Please do not let go of holding "L3" until all the "E" screws are installed.



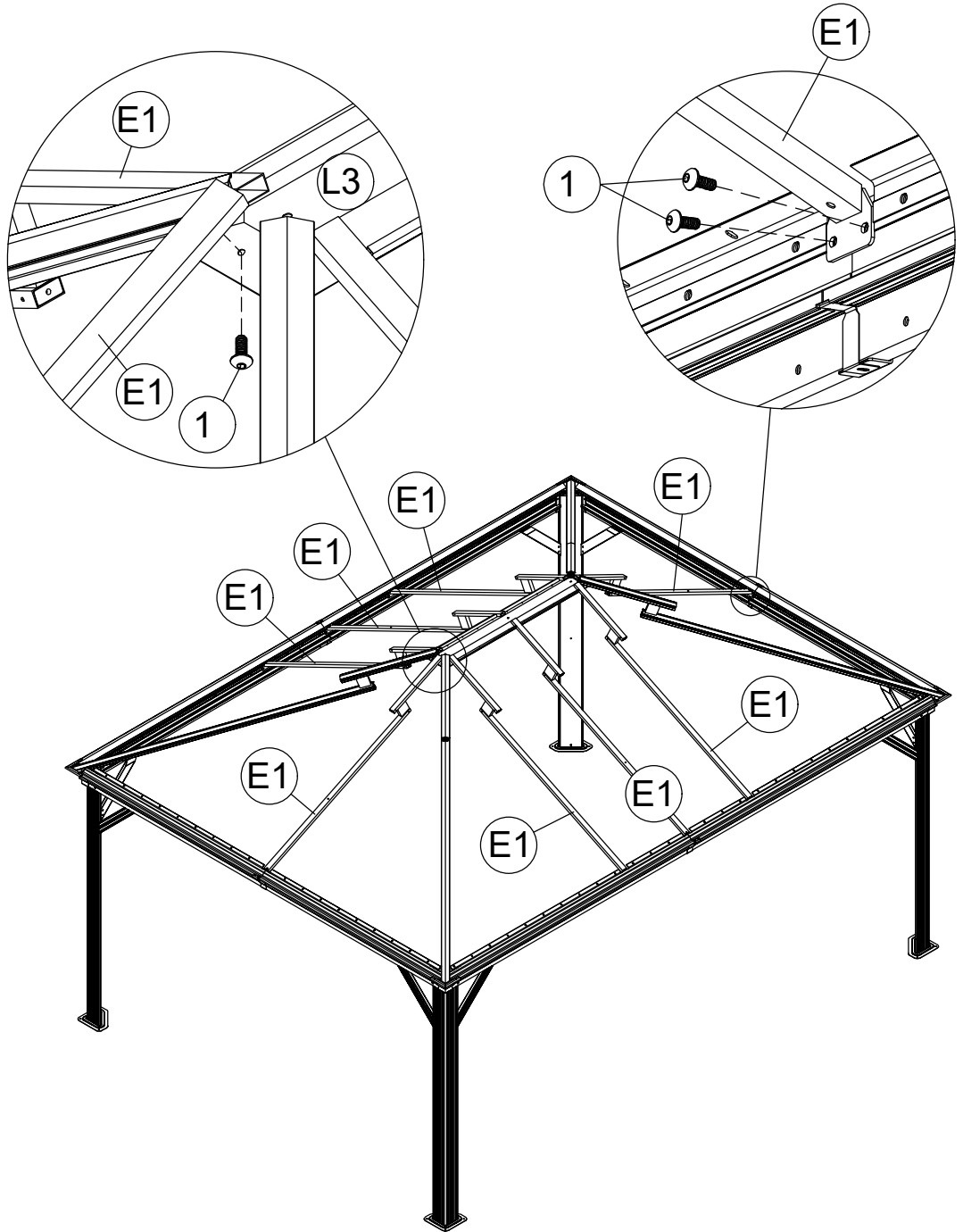
E1 8x

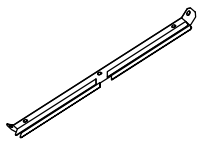


M6x15

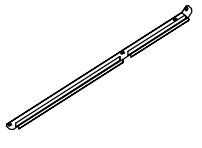
1 24x

<9>

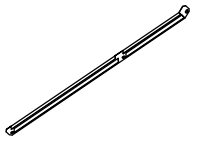




I1 2x



I3 2x



I4 2x



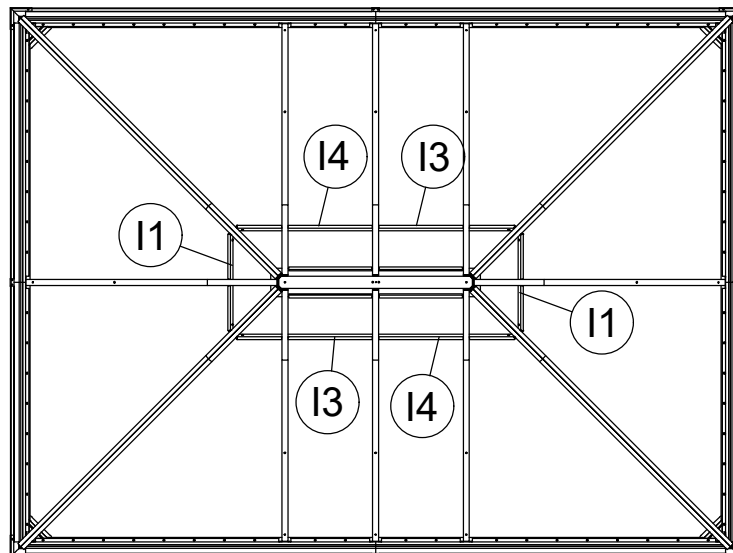
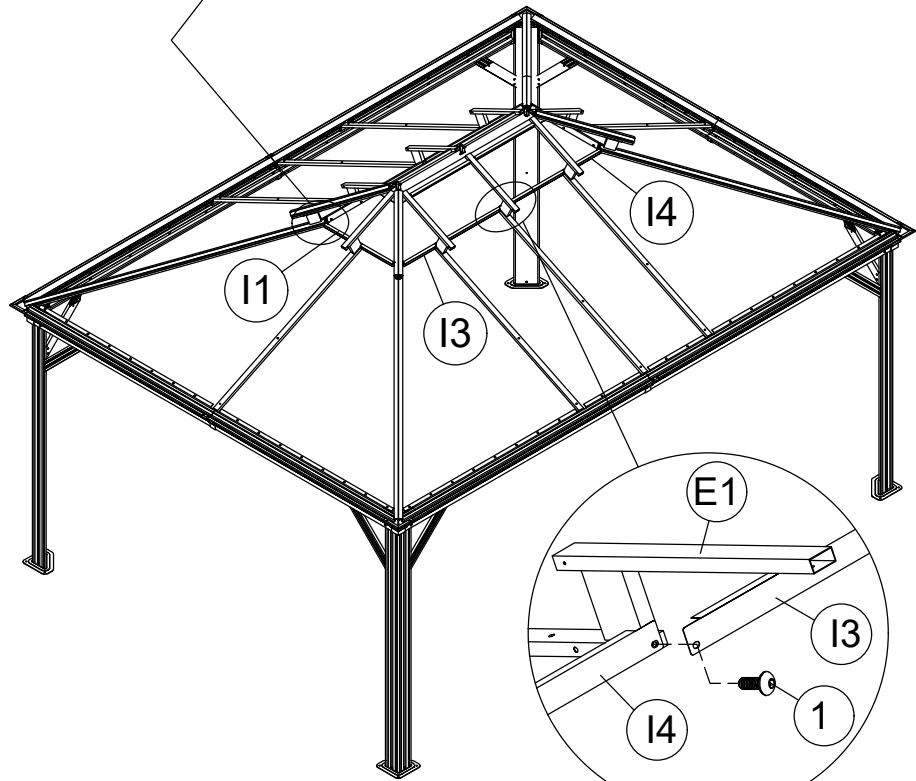
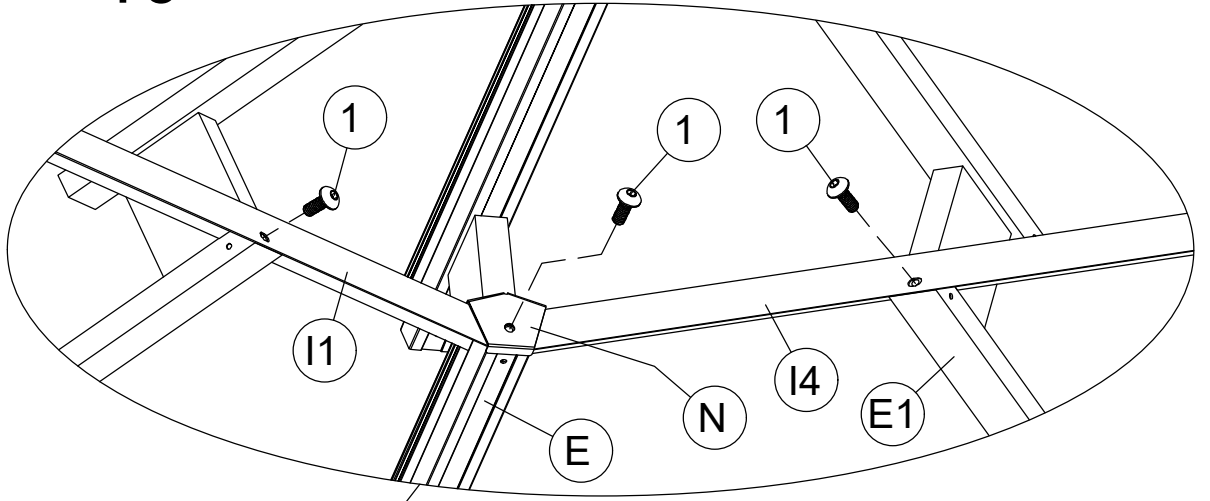
N 4x



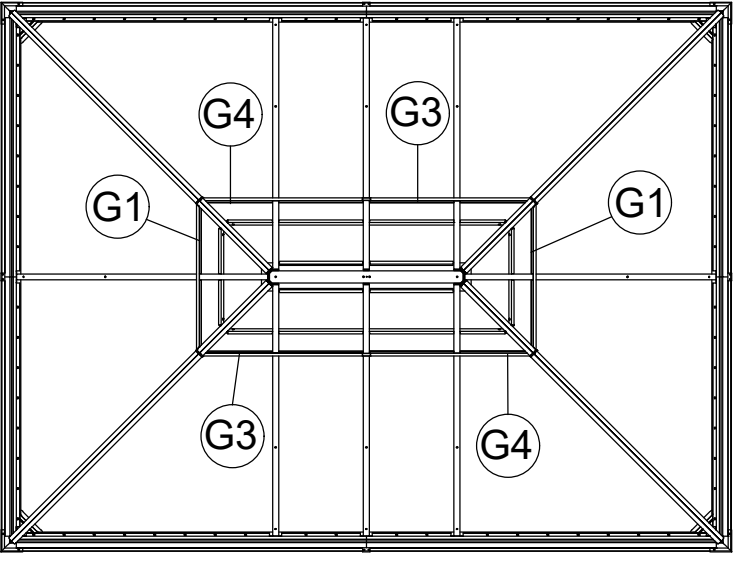
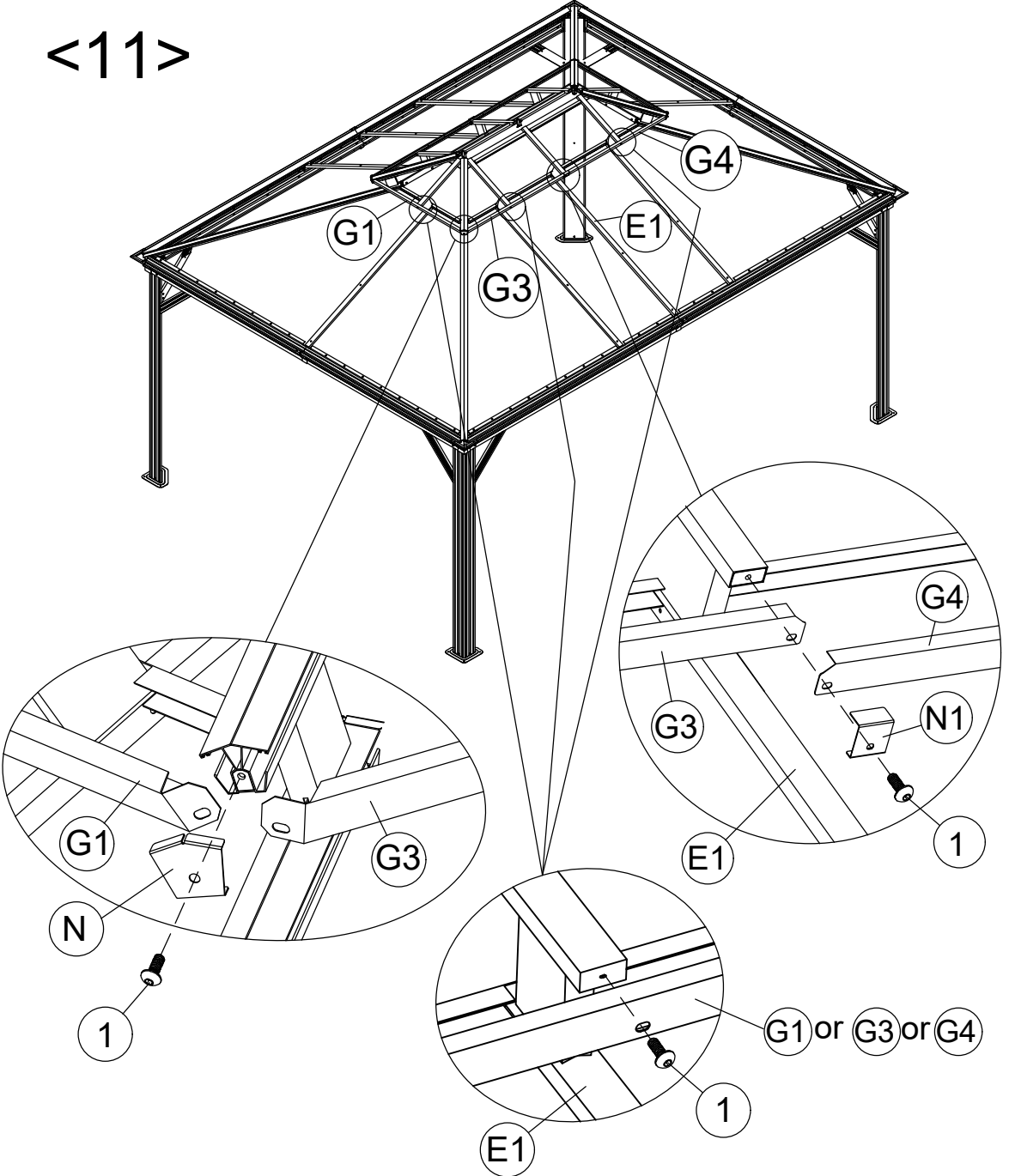
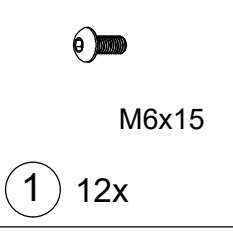
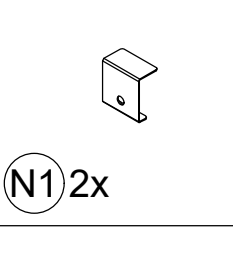
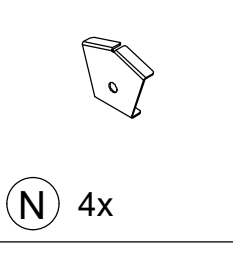
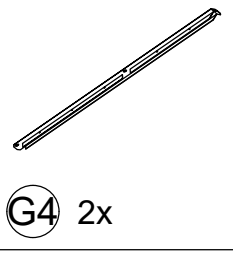
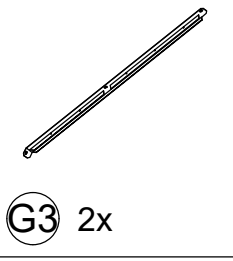
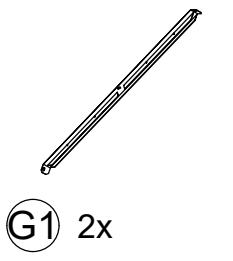
M6x15

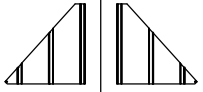
1 12x

<10>



<11>

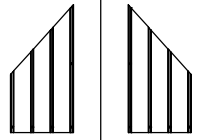




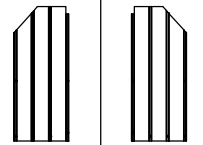
(S1) 2x (S2) 2x



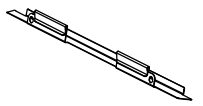
(R1) 2x (R2) 2x



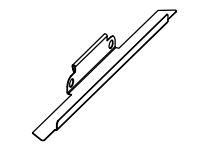
(R3) 2x (R4) 2x



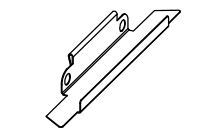
(R5) 2x (R6) 2x



(Z) 32x

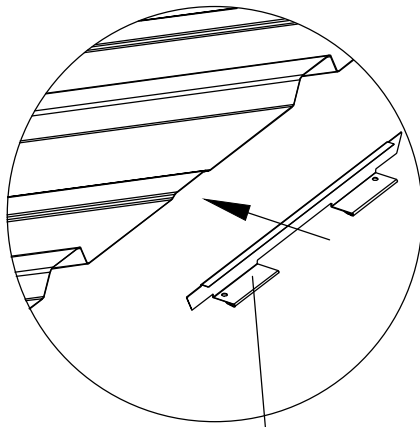


(Z1) 4x

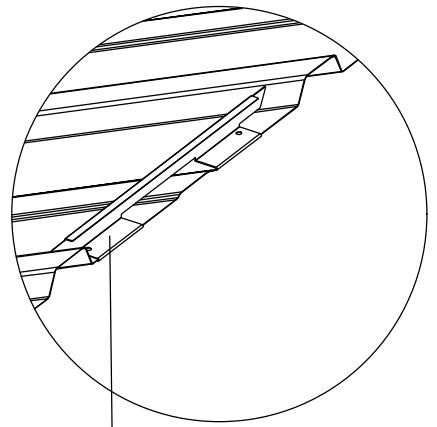


(Z2) 4x

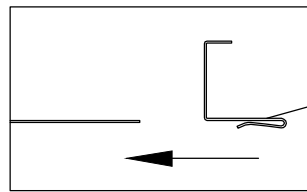
<12>



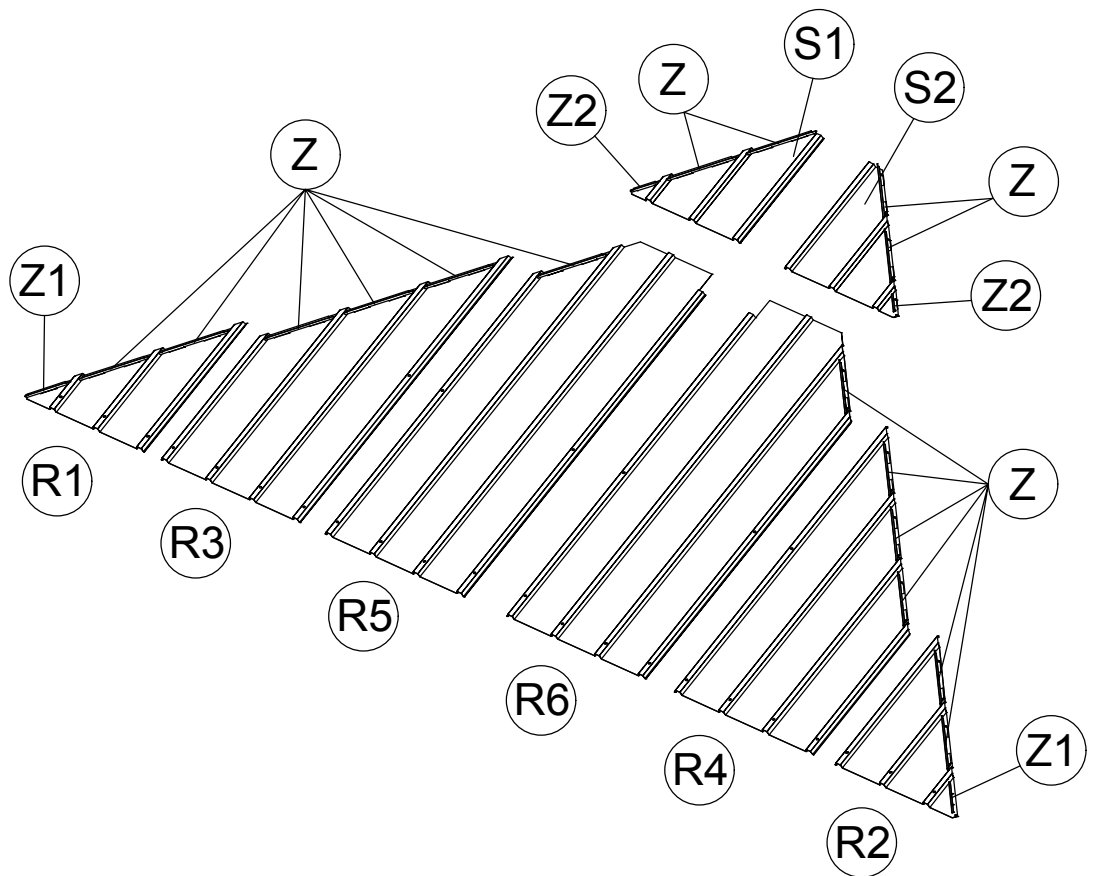
(Z) or (Z1) or (Z2)

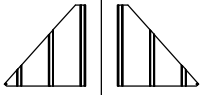


(Z) or (Z1) or (Z2)

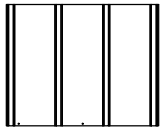


(Z) or (Z1) or (Z2)

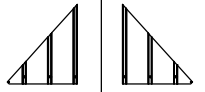




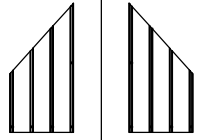
S1 2x S2 2x



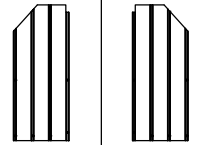
S3 4x



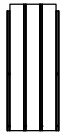
R1 2x R2 2x



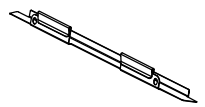
R3 2x R4 2x



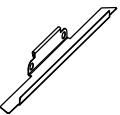
R5 2x R6 2x



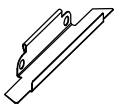
R7 4x



Z 32x



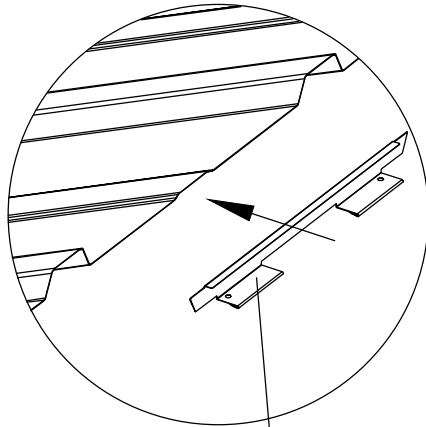
Z1 4x



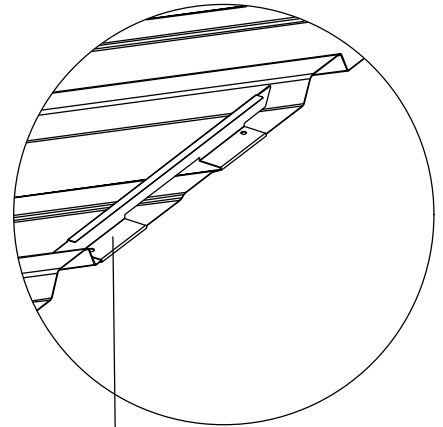
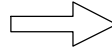
Z2 4x

17

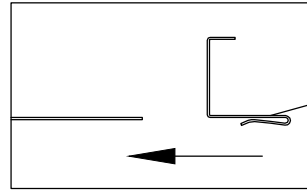
<13>



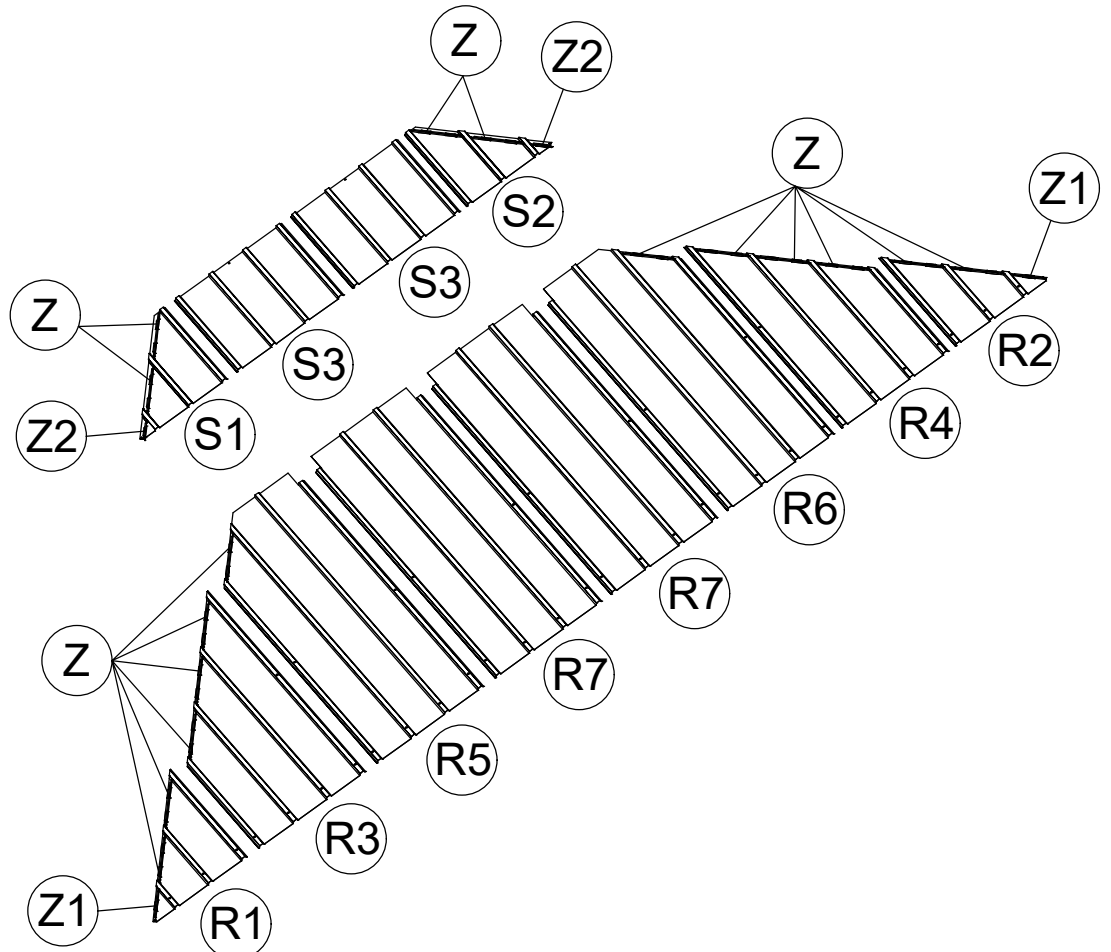
Z or Z1 or Z2



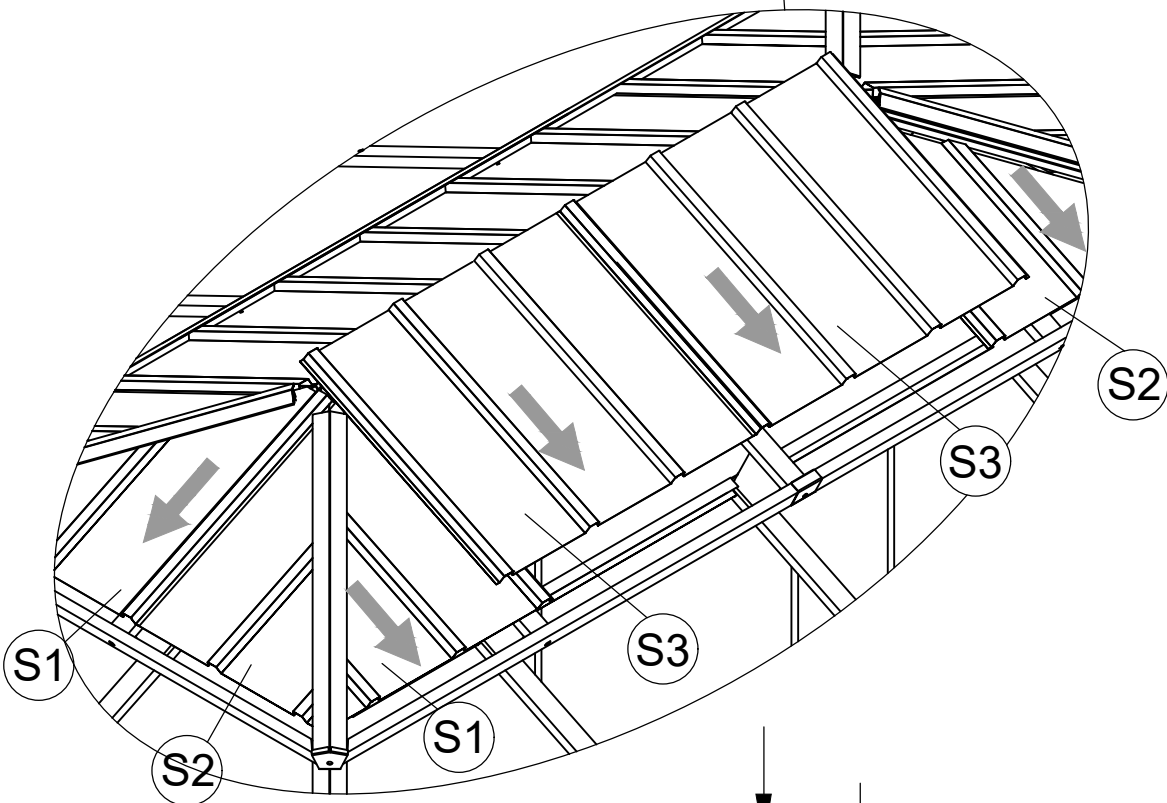
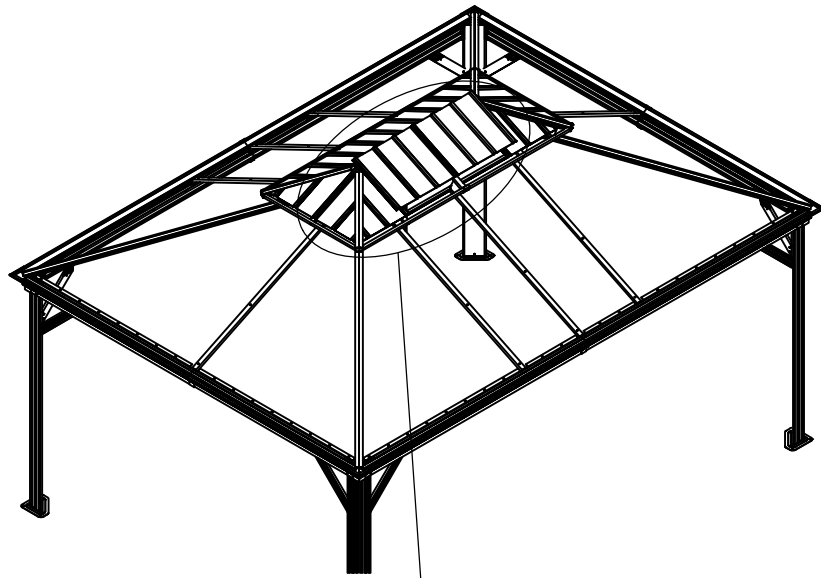
Z or Z1 or Z2



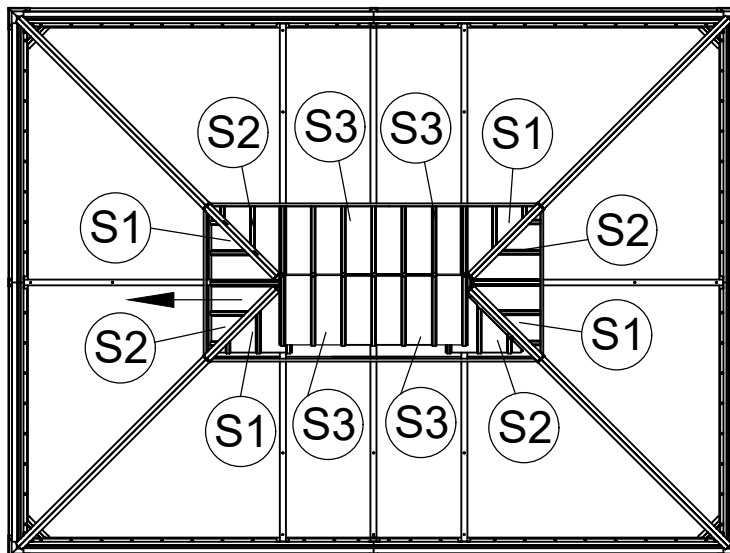
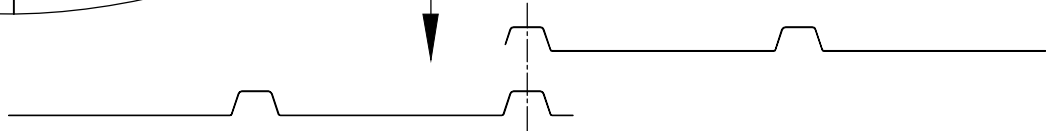
Z or Z1 or Z2

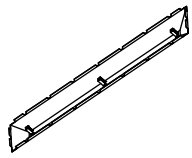


<14>



When installing the Roof plates (S2) onto short side, pls detach the right end of Roof Rib(G1) first. And then install the right end of Roof Rib (G1) again after S2 is installed.





M3 1x



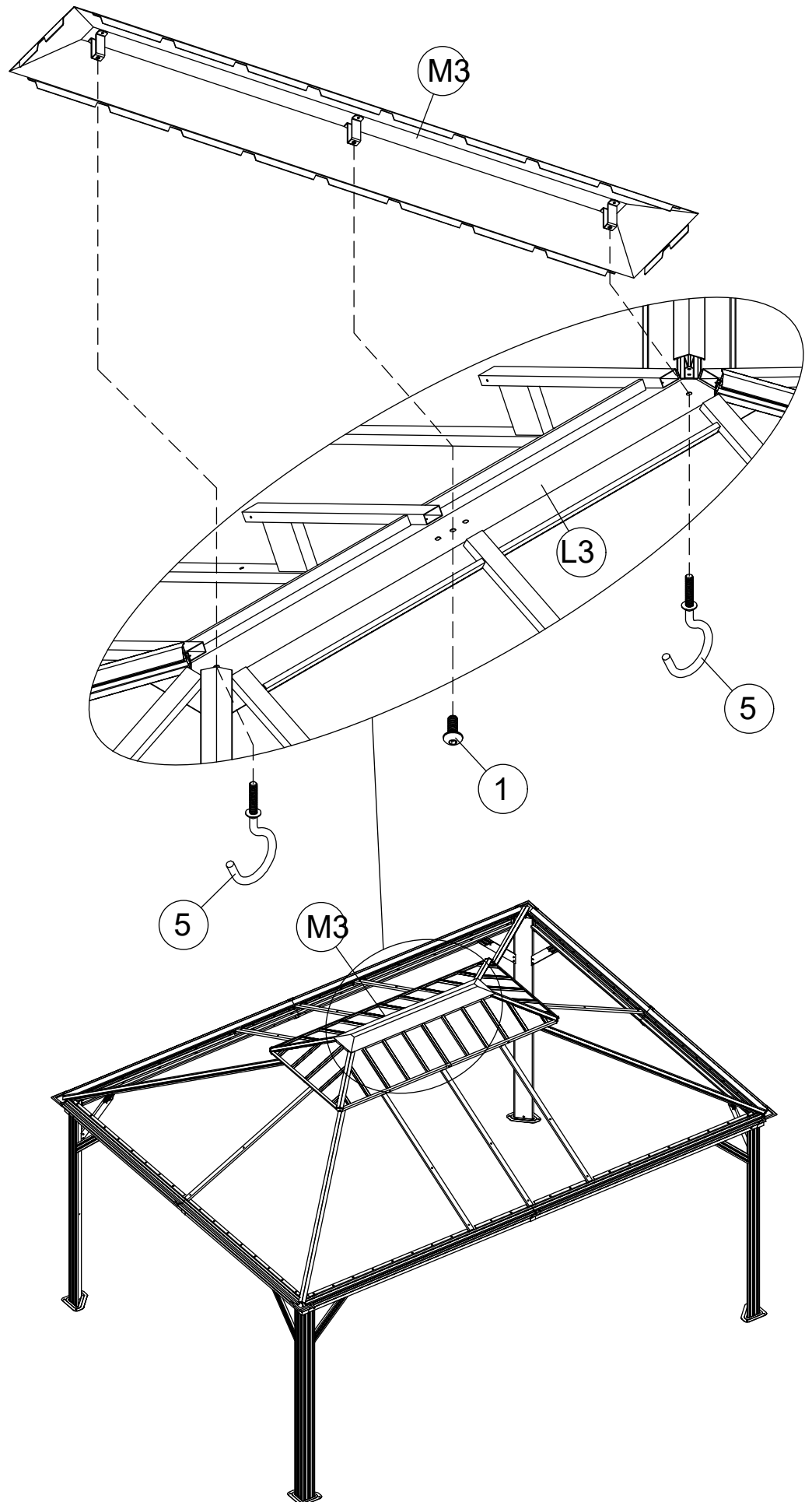
5 2x



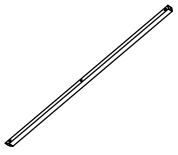
M6x15

1 1x

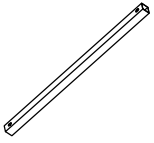
<15>



<16>



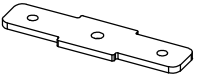
F1 8x



F2 4x



W 4x

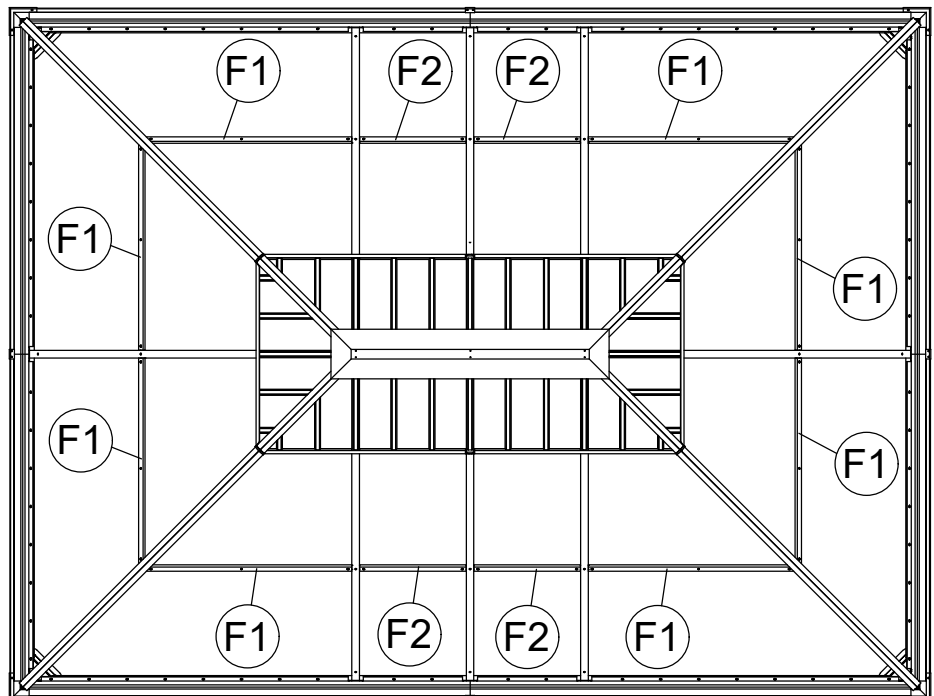
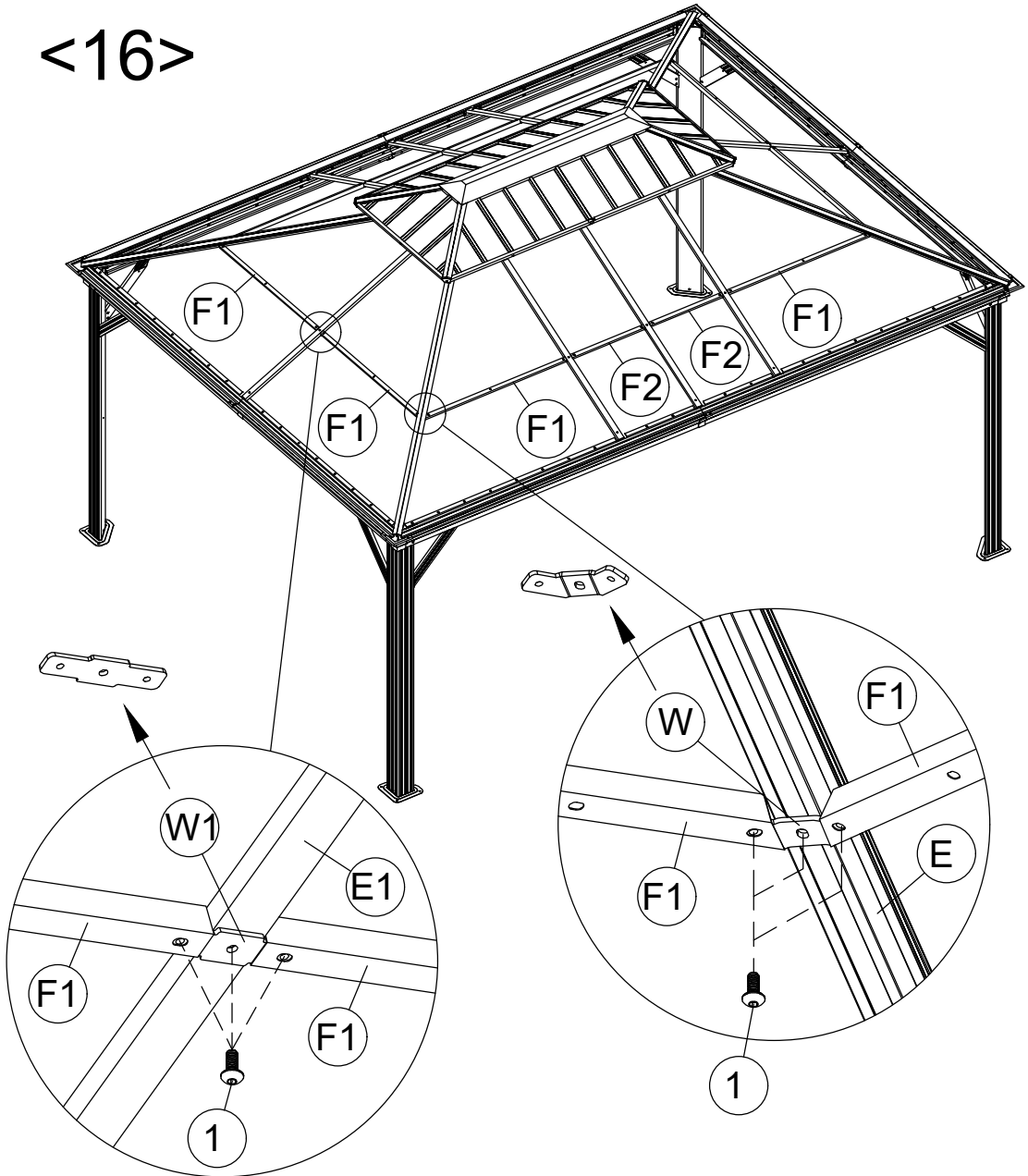


W1 8x

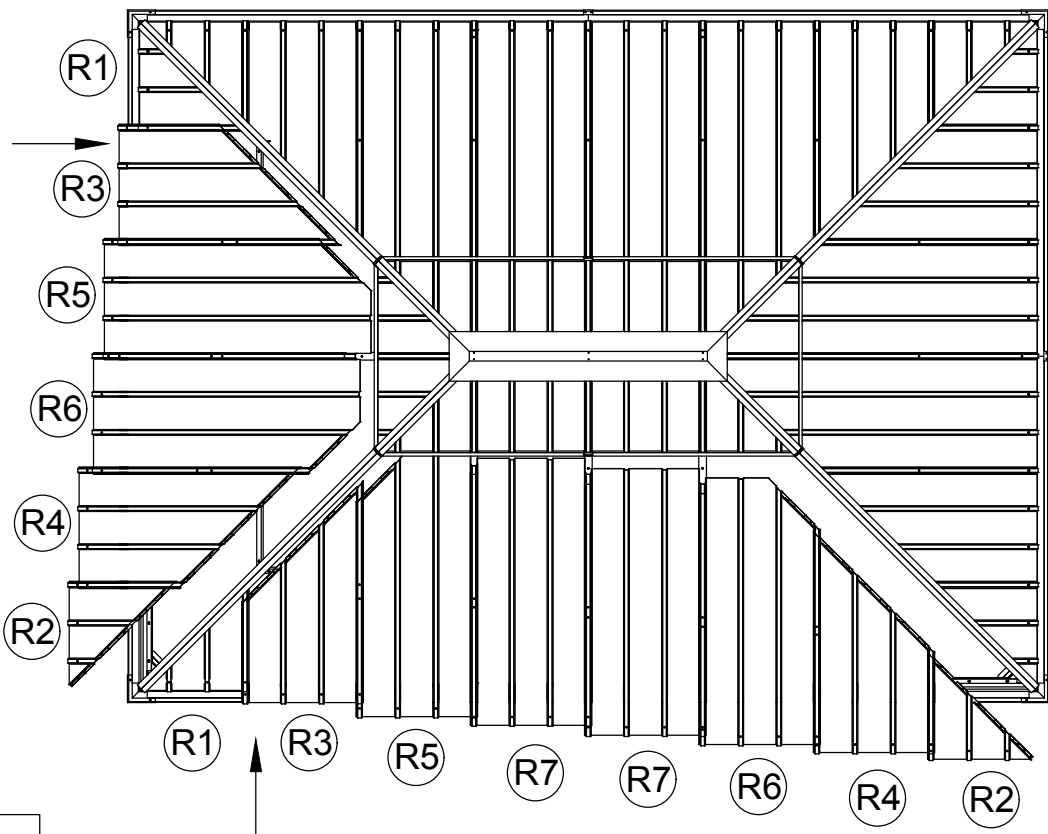
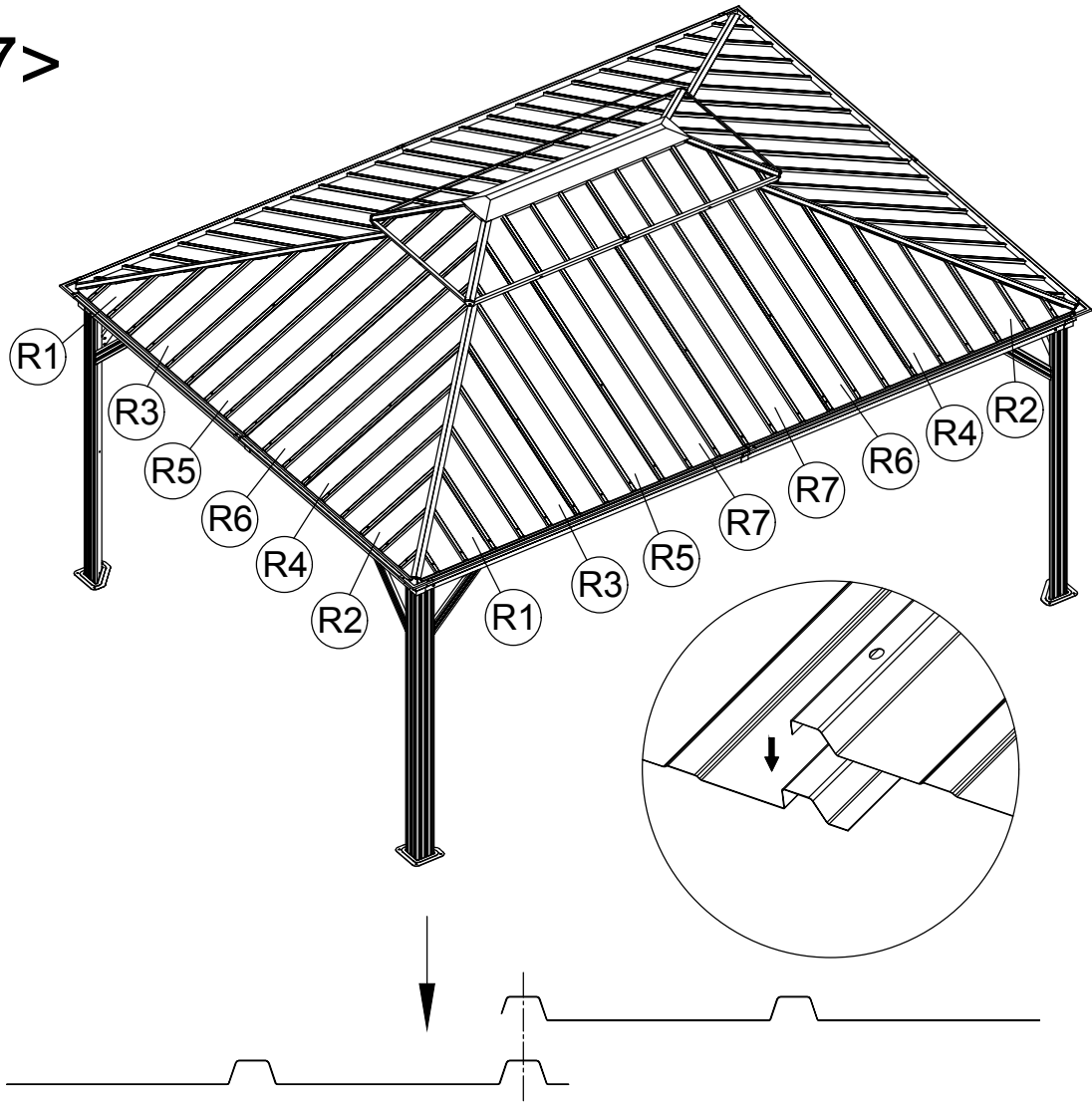


M6x15

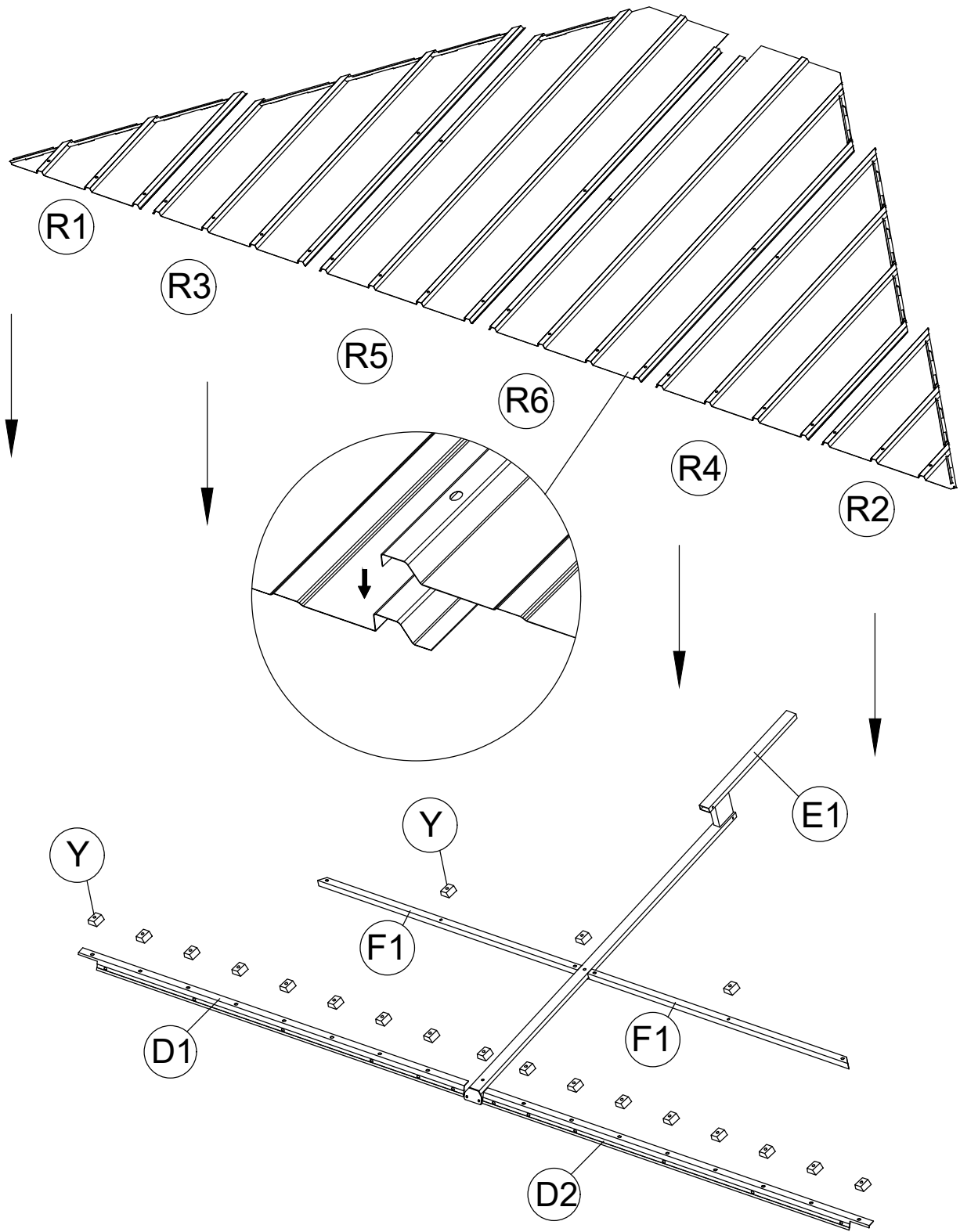
1 36x



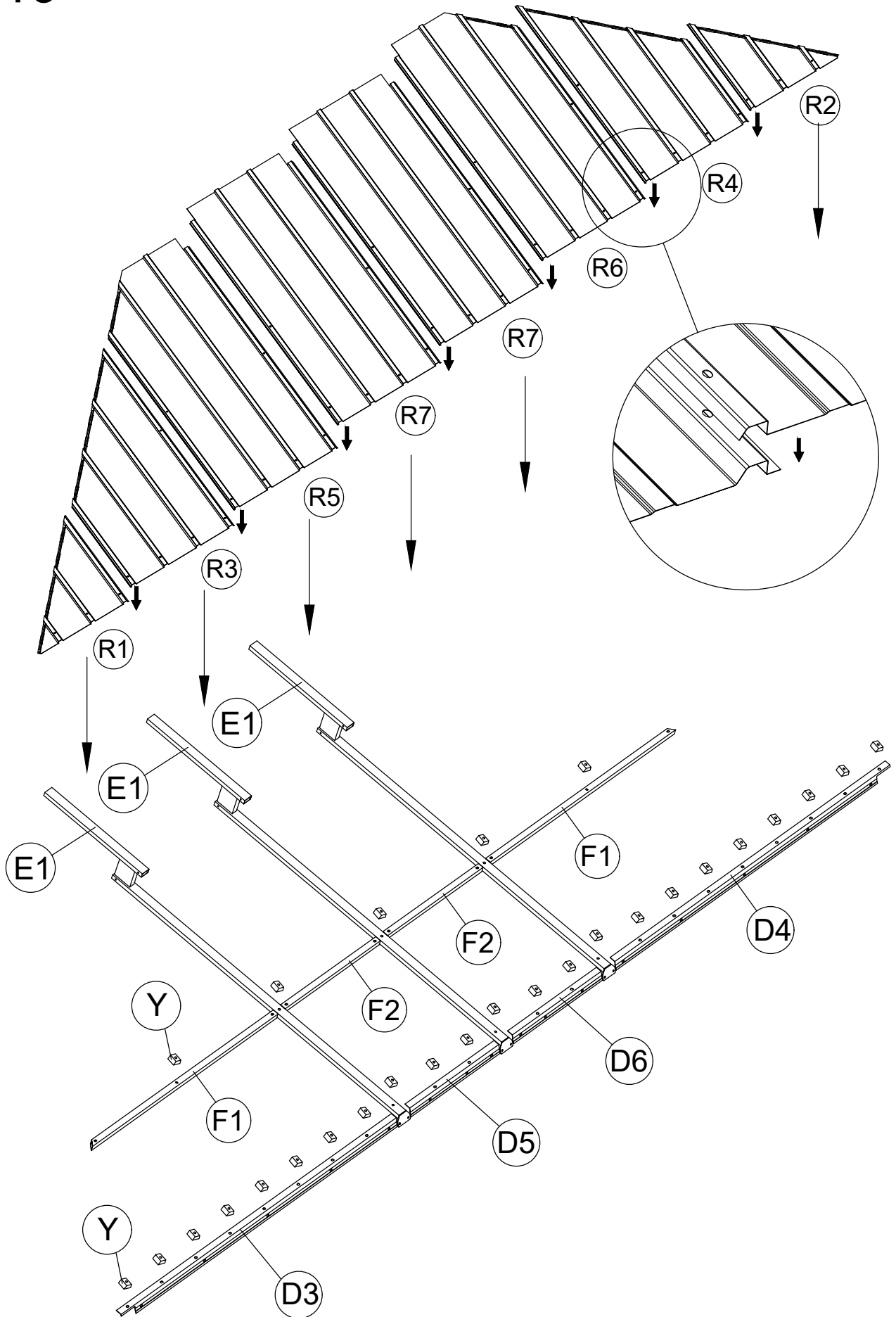
<17>



<18>



<19>





<20>

Y 96x



M6x23

2 72x



M6x25

3 8x



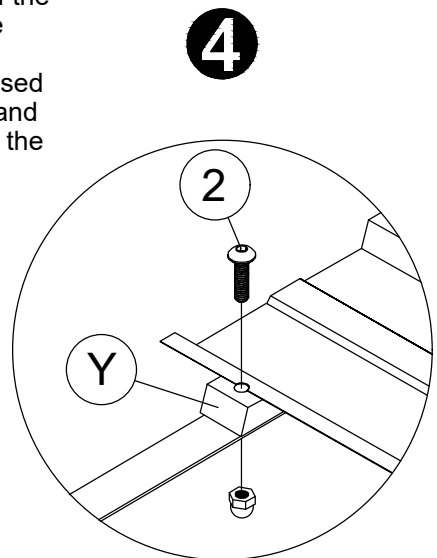
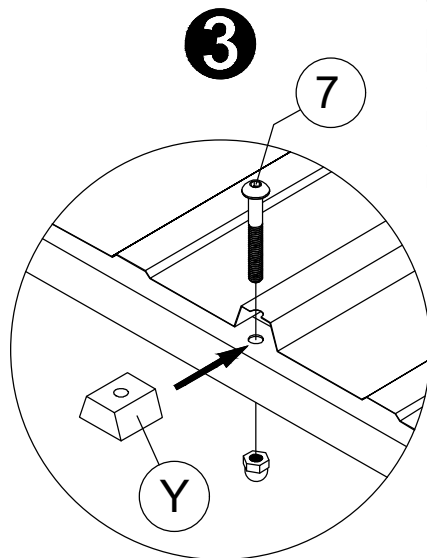
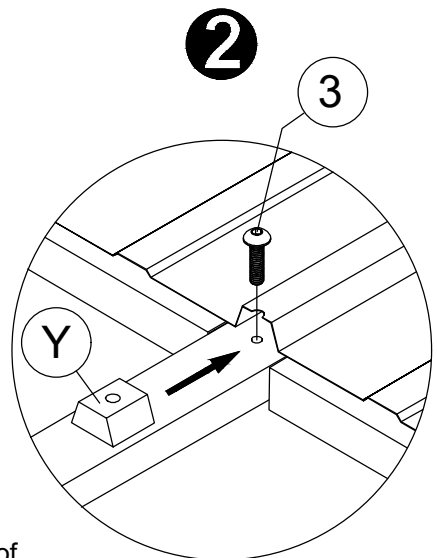
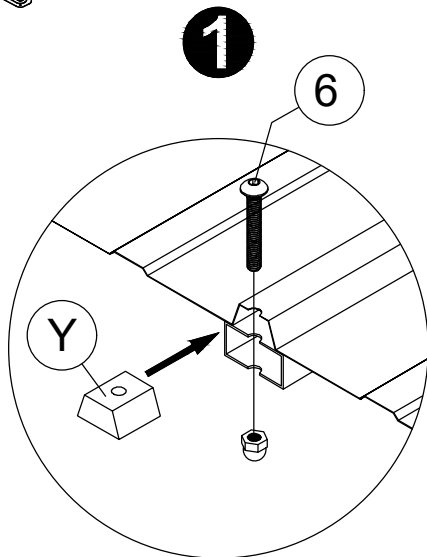
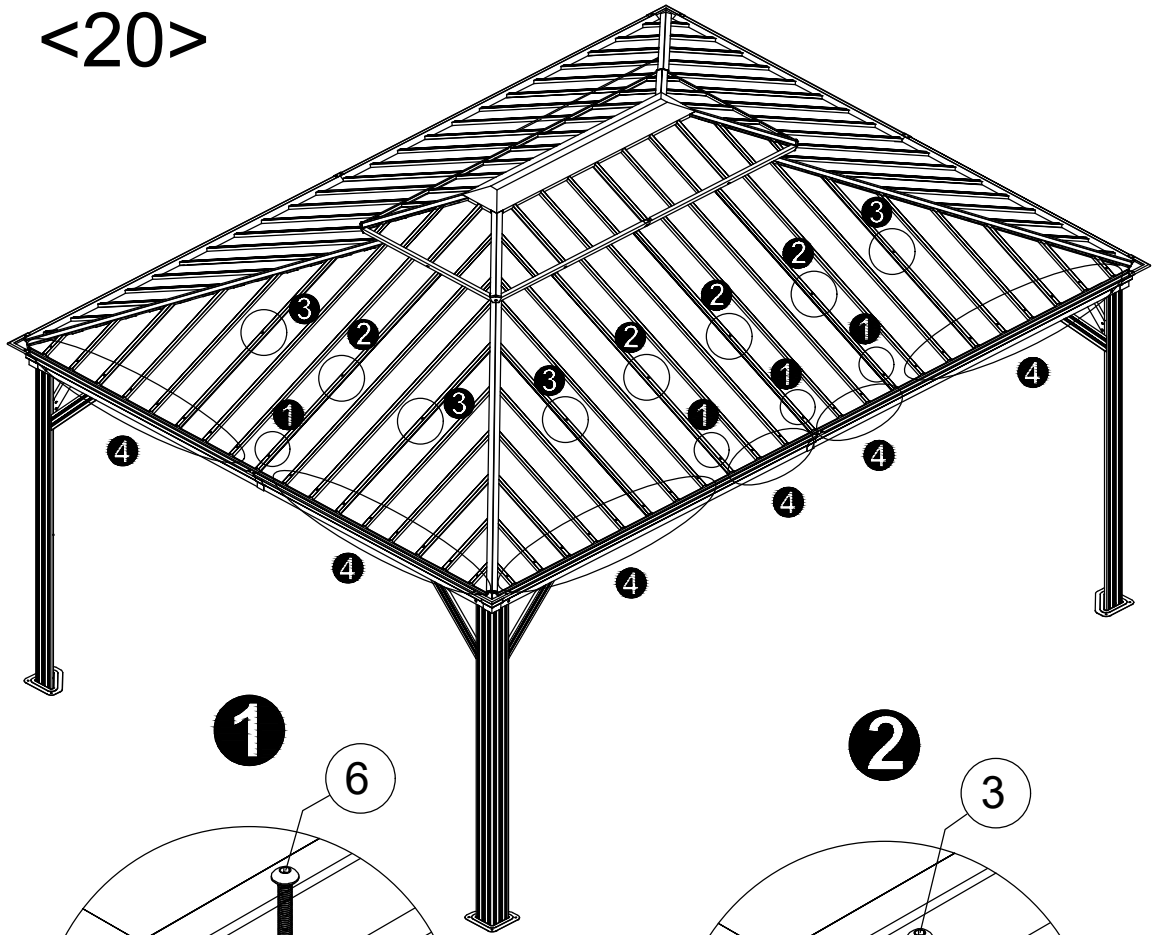
M6x42

6 8x

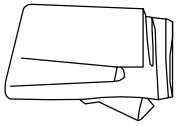


M6x47

7 8x

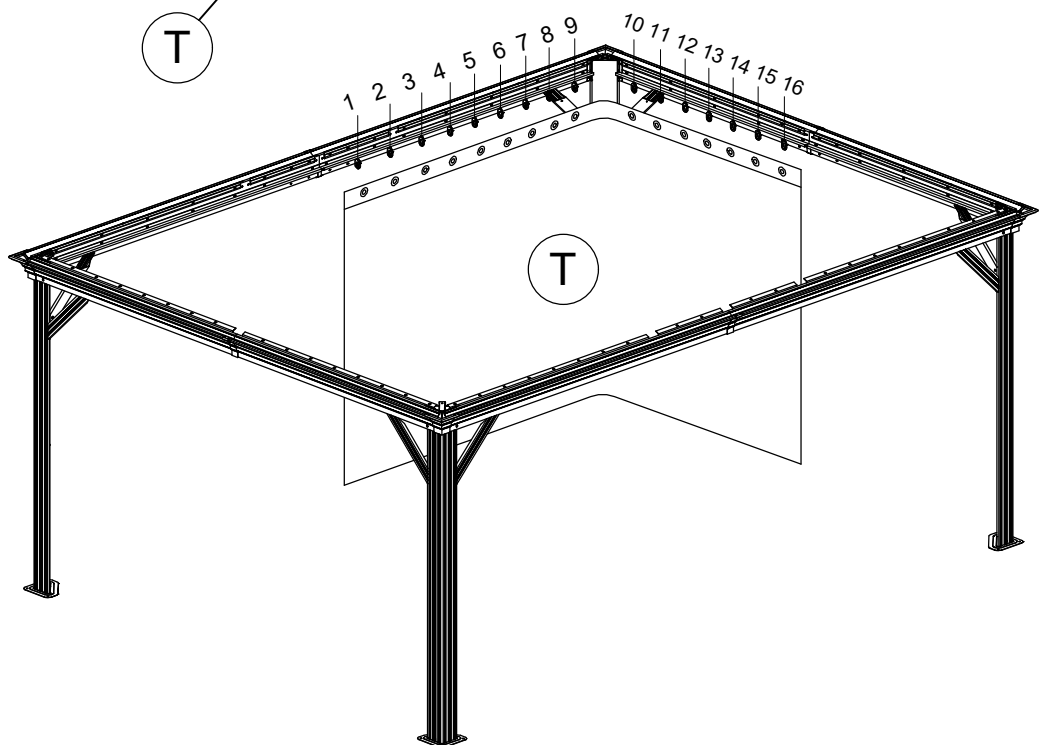
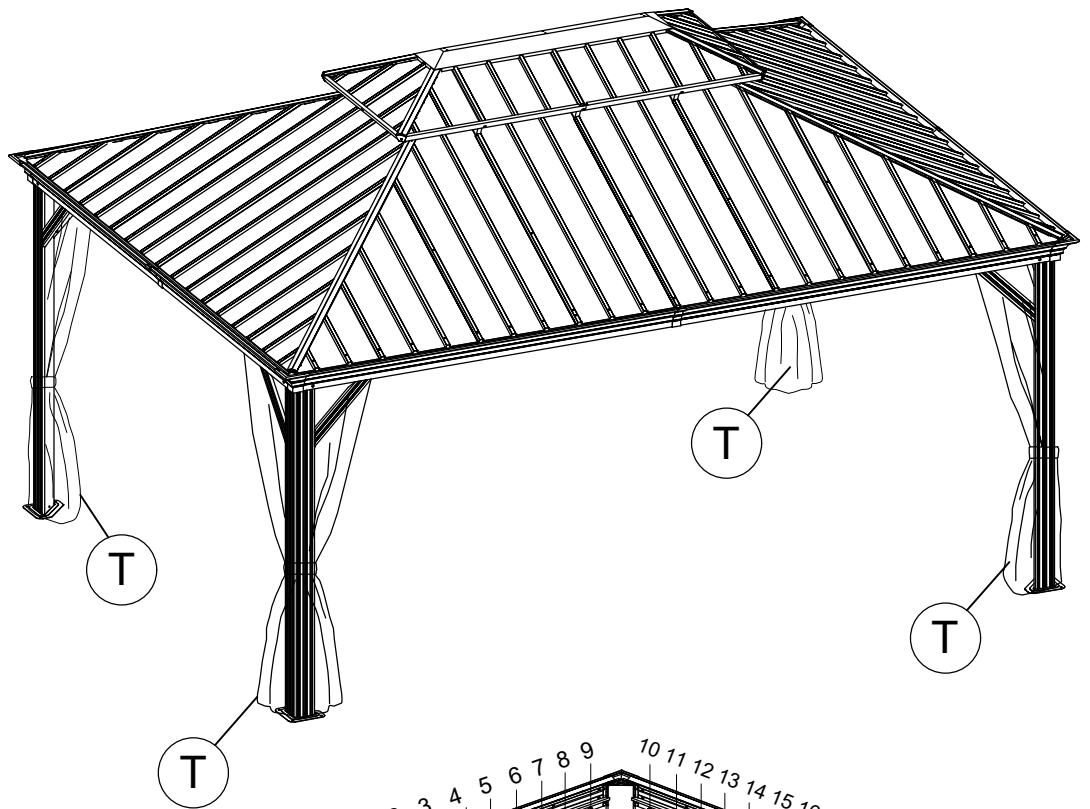
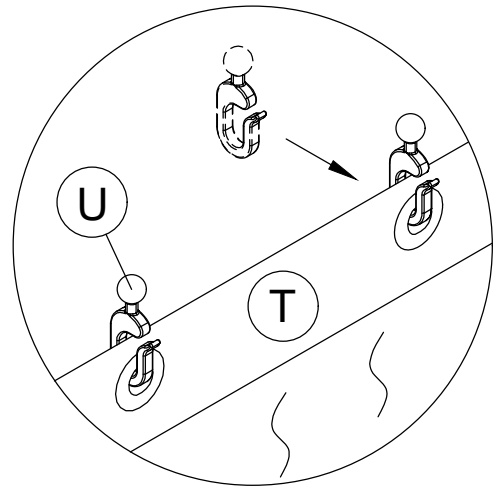
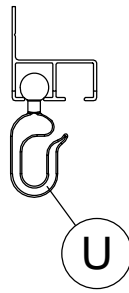


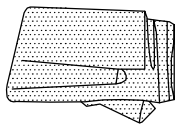
Note: When installing the roof top plates, if the roof plates are slightly uneven, pls press the screws from the top of the plates until the bottom screw thread is exposed by 3 to 4mm, and then screw on the nut.



<21>

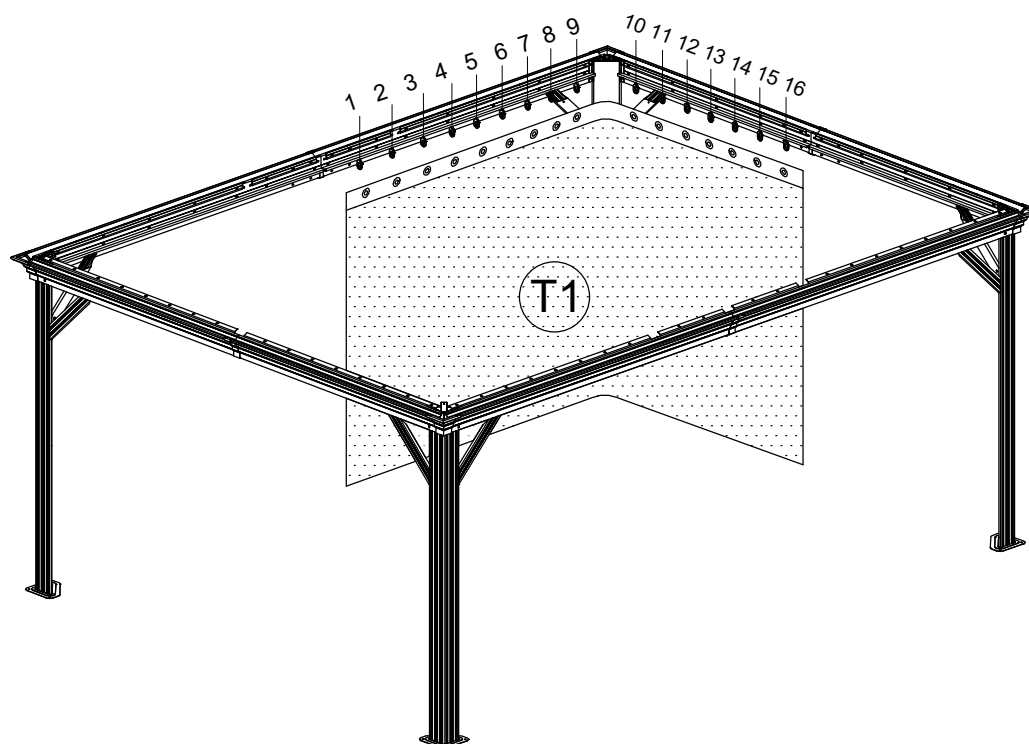
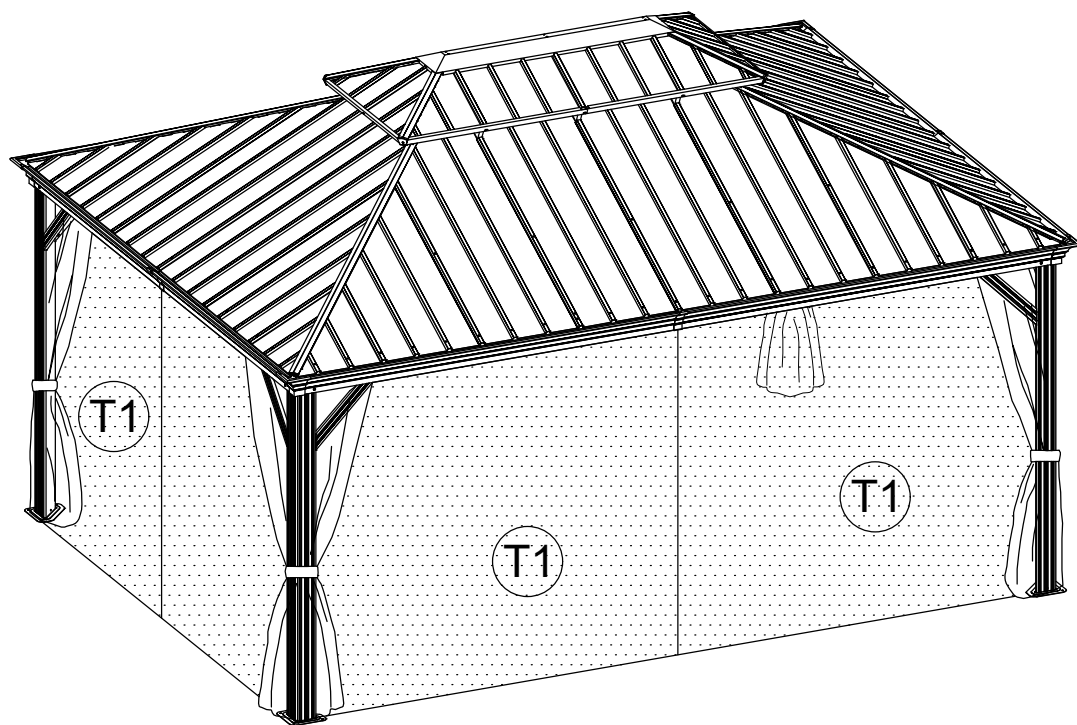
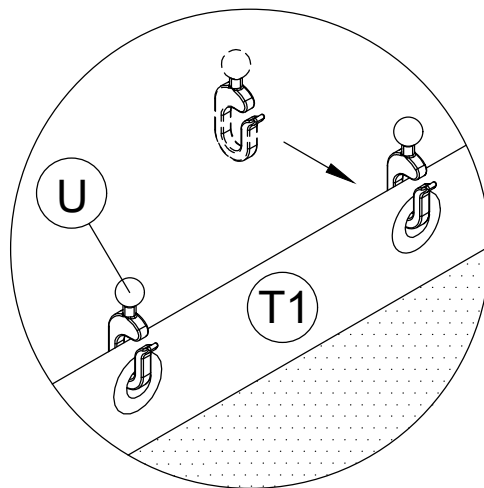
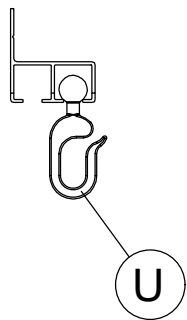
T 4x

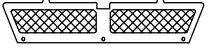




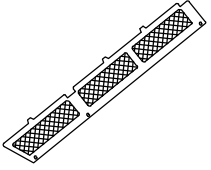
<22>

T1 4x

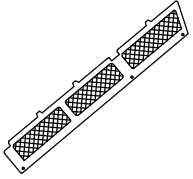




V1 2x



V3a 2x



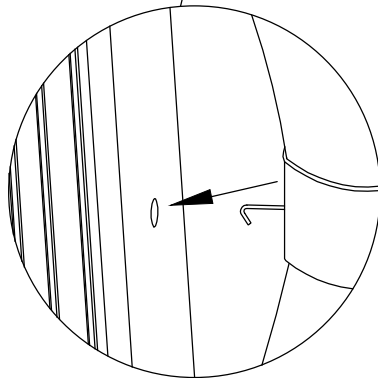
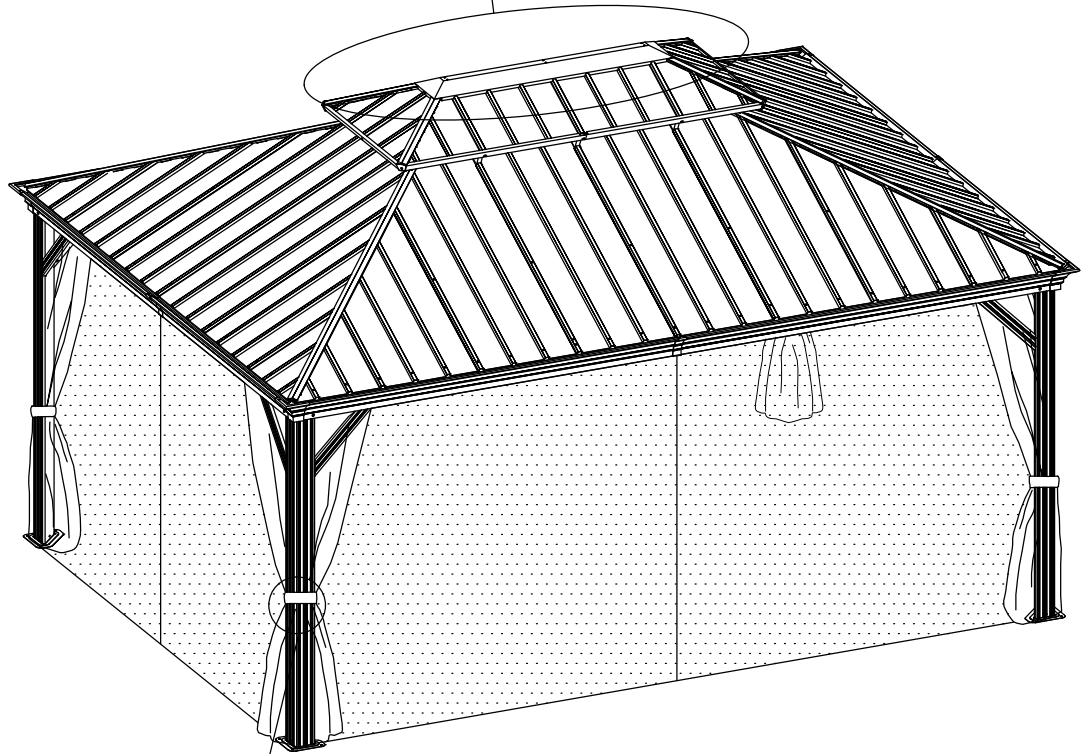
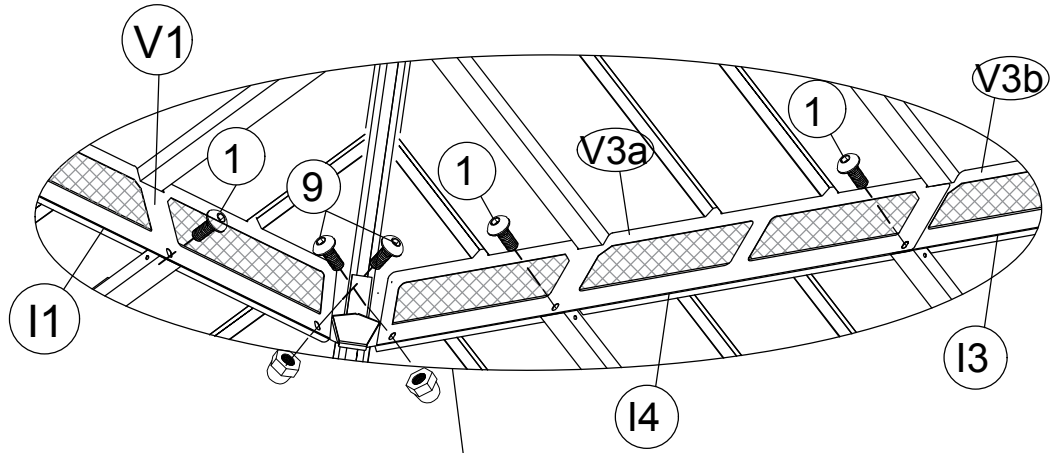
V3b 2x



M6x10

9 8x

<23>



Carton-1/5		Carton-2/5		Carton-3/5	
Part	Qty	Part	Qty	Part	Qty
B5	2	I3	2	V3a	2
B6	2	I4	2	V3b	2
C5	2	H	4	T	4
C6	2	H1	4	T1	4
A	4	P	4	1.2.3.4.5.6.7.8.9. 10.11.12.13.14.15	1
D1	2	Z	64		
D2	2	Z1	8		
D3	2	Z2	8		
D4	2				
D5	2				
D6	2			Carton-4/5	
J	4			Part	Qty
Y	96	Carton-3/5		R3	4
U	128	Part	Qty	R4	4
		B1	2	R5	4
		B2	2	R6	4
		C1	2	R7	4
		C2	2		
		L3	1		
		M3	1		
Carton-2/5		K	4	Carton-5/5	
Part	Qty	K1	4	Part	Qty
E	4	W	4	R1	4
E5	4	W1	8	R2	4
E1	8	W3	8	S1	4
F1	8	W4	8	S2	4
F2	4	V	4	S3	4
G1	2	N	8		
G3	2	N1	2		
G4	2	V1	2		
I1	2				