



MB/BN/BG/ORB/CP

1、 Installation precautions

1. When you open the product packaging, please check the product and accessories at first. If there is any discrepancy, please contact our customer.
2. The hot and cold water supply pipe of the faucet must be properly connected. When facing the front of the faucet, the hot water supply is on the left and cold water supply is on the right. Incorrect connection will cause permanent damage to the cartridge.
3. If the accessories to be changed without affecting the use, we will not make a prior notice.
4. The impurities in the water supply pipe must be cleared before installation to avoid blockage.
5. The water pressure of the faucet is **0.14 MPa-0.86MPa**(including cold water and hot water pressure). Applicable water temperature range:39 °F-160 °F.

2、 Preparation before installation

1. Please read the installation manual carefully before installation.
2. Installation work must be performed by a professional installer.
3. Installation tool:

Plumber's
putty



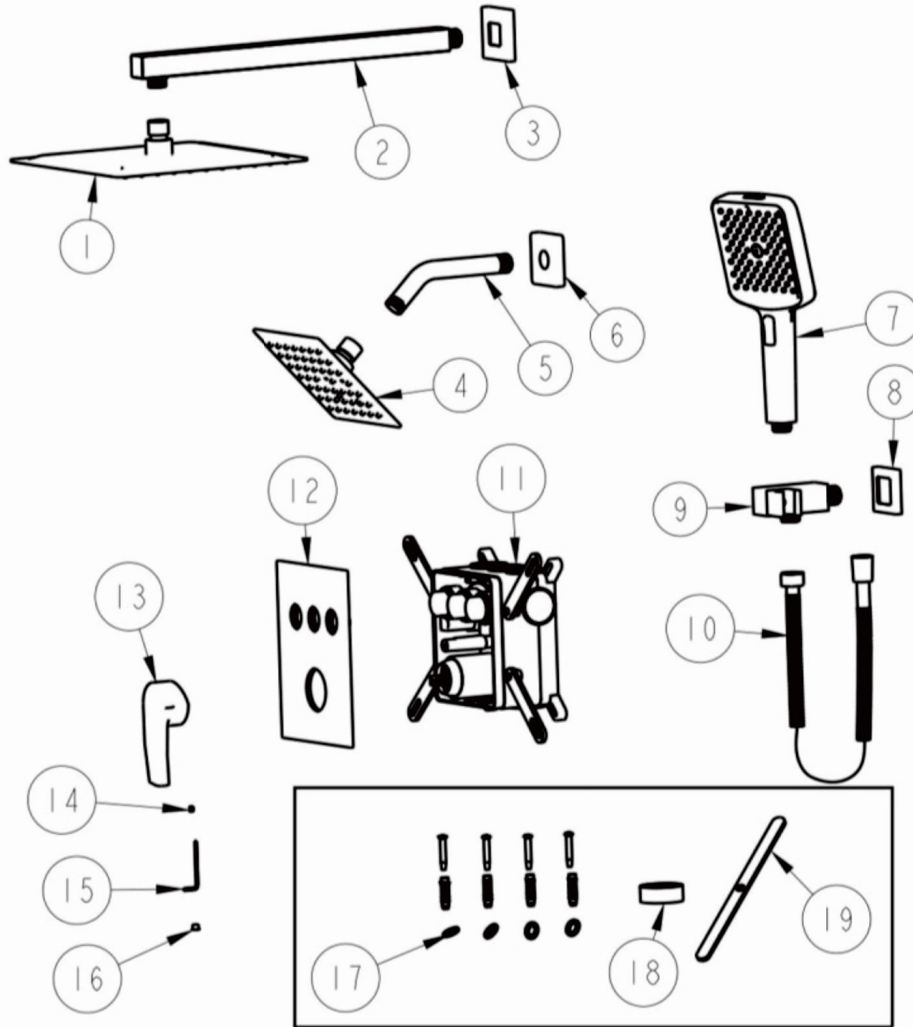
Thread seal
tape



Included

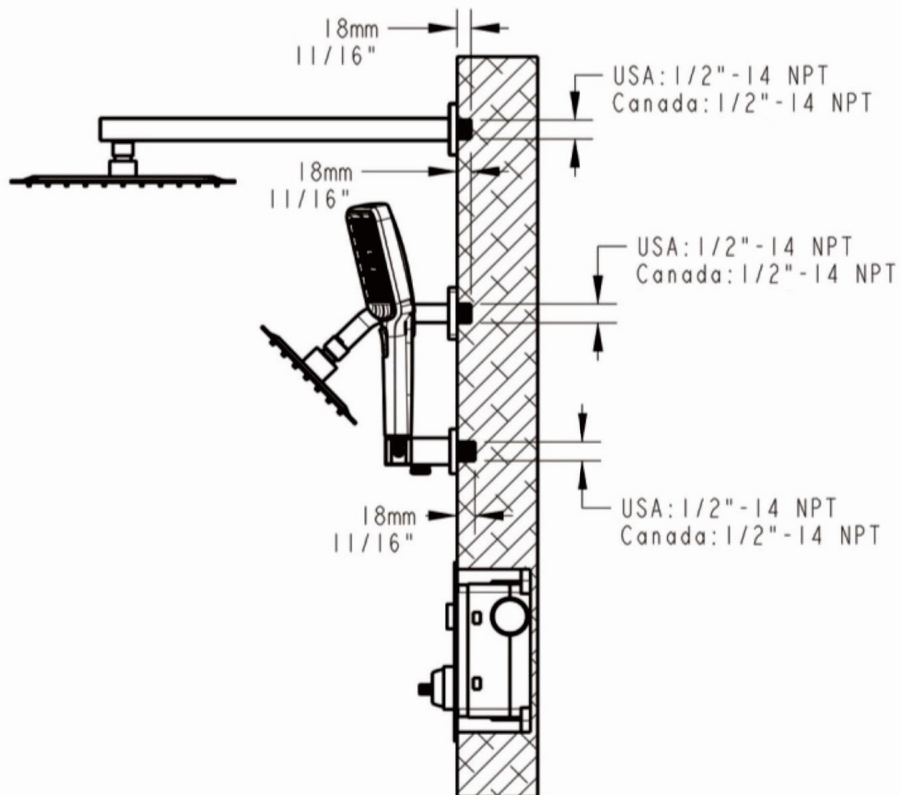
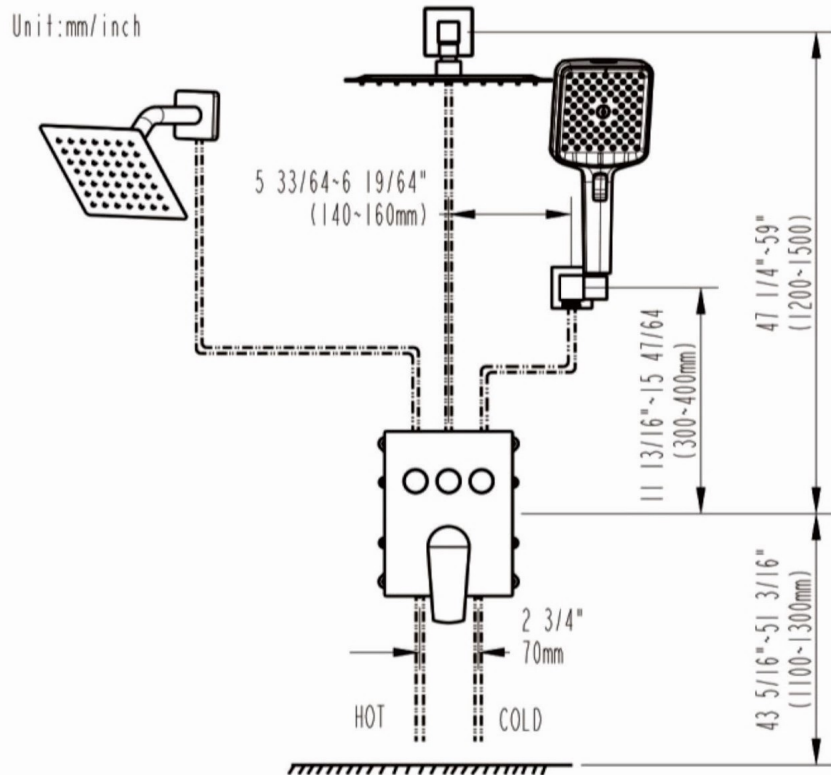


3、Concealed faucet accessories list

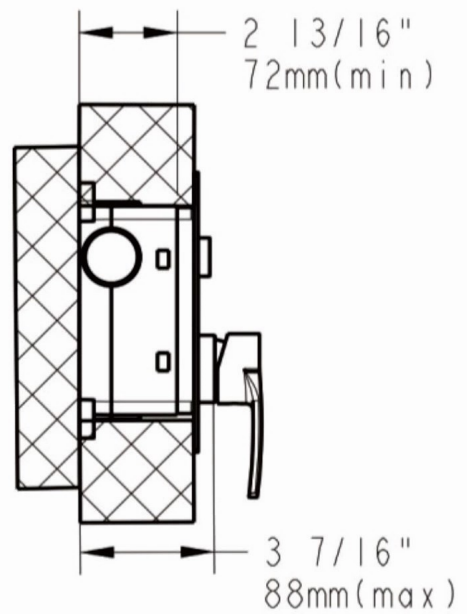
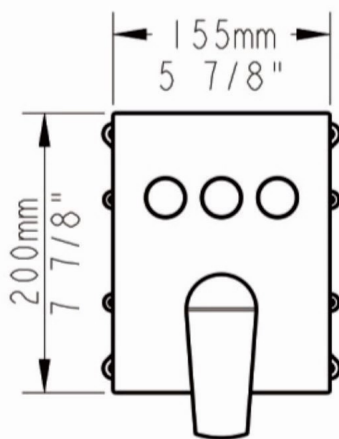
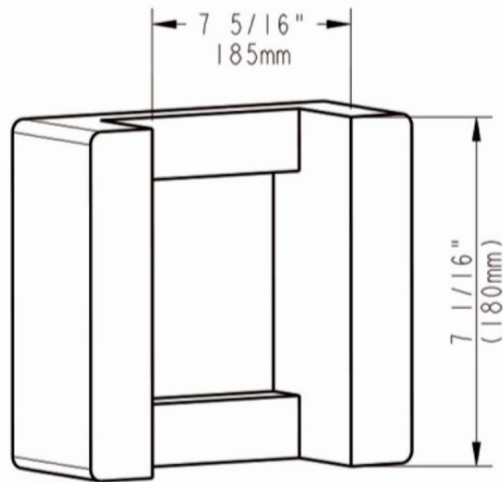


NO.	Part name	Qty	NO.	Part name	Qty
1	12inch Shower head	1	11	Shower valve body	1
2	Shower arm	1	12	Trim plate	1
3	Shower arm flange	1	13	Shower valve handle	1
4	6inch Shower head	1	14	Screw	1
5	Shower arm	1	15	Hex Key Allen Wrench	1
6	Shower arm flange	1	16	Set screw	1
7	Handheld shower head	1	17	Installation accessories	4
8	Handheld shower bracket flange	1	18	Teflon Tape	1
9	Handheld shower bracket	1	19	Installation ruler	1
10	Shower hose	1			

Essential dimensions & water pipe line

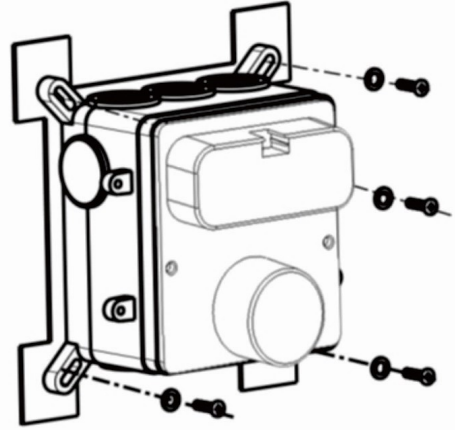


Installation depth of main body

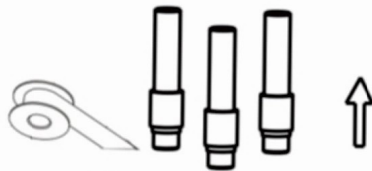




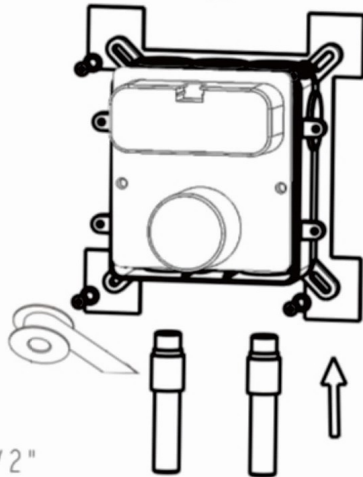
(concrete wall)



(wood wall)

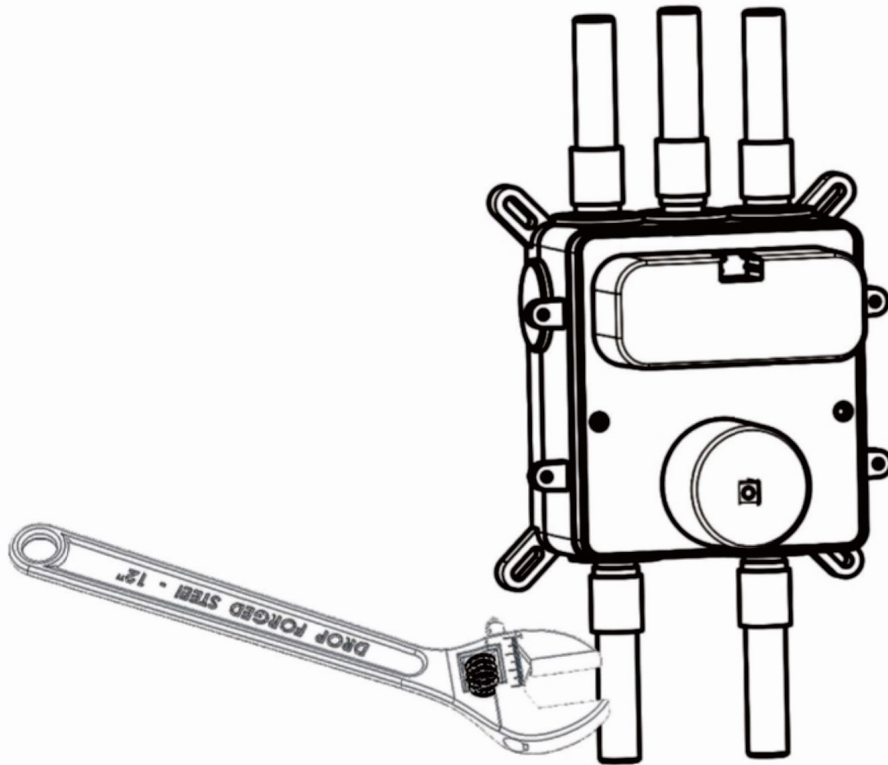


NPT 1/2"
Mixed water
outlet pipe



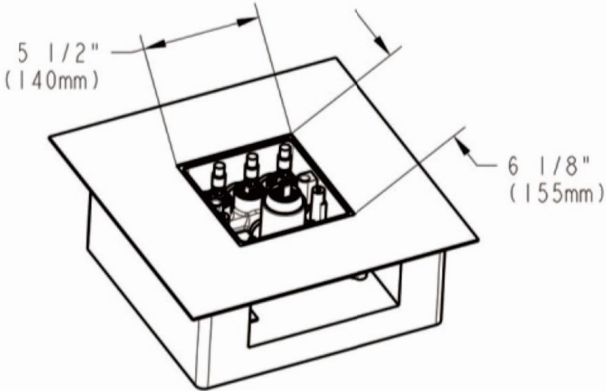
NPT 1/2"
Hot water
inlet pipe

NPT 1/2"
Cold water
inlet pipe

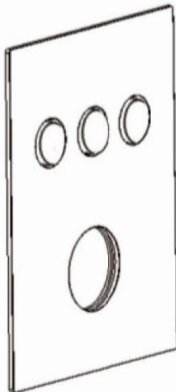
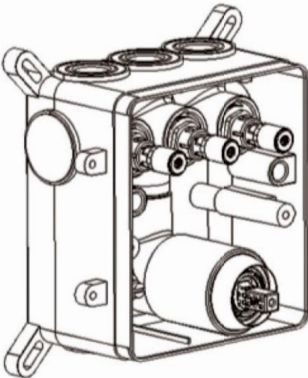
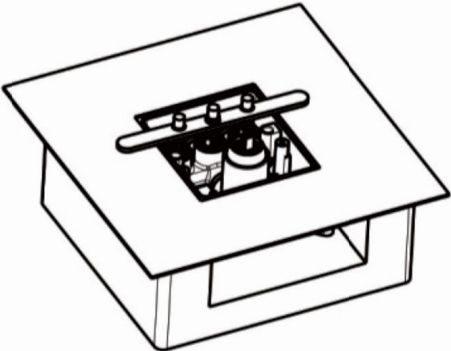


Lock and check for proper plumbing connections

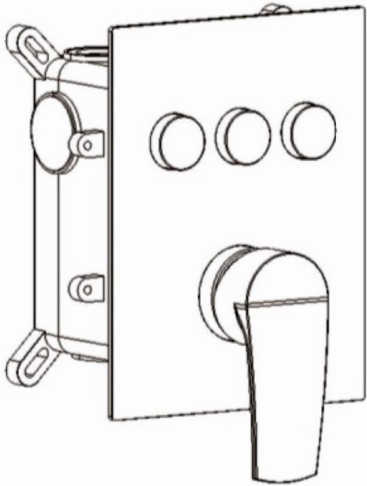
Cut the holes and put up the tiles



Place the mounting ruler according to the picture and cut the part of the ruler that protrudes upwards from the buttons

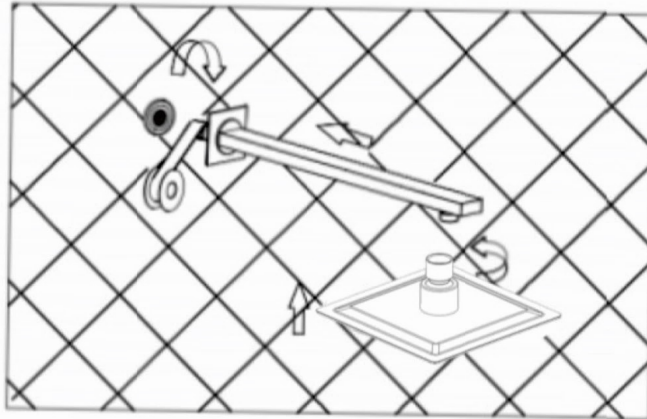


Install panels and handles in order

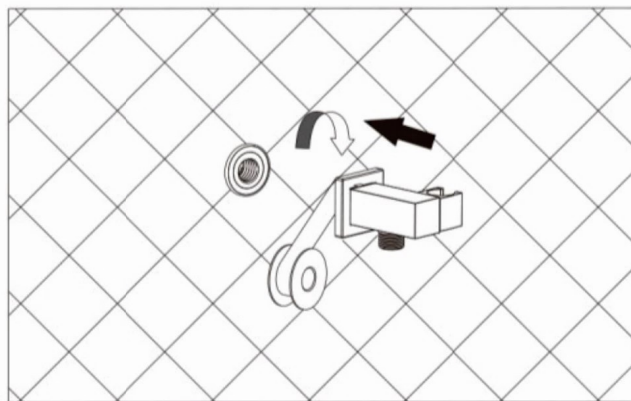


Completion of the main body of the installation

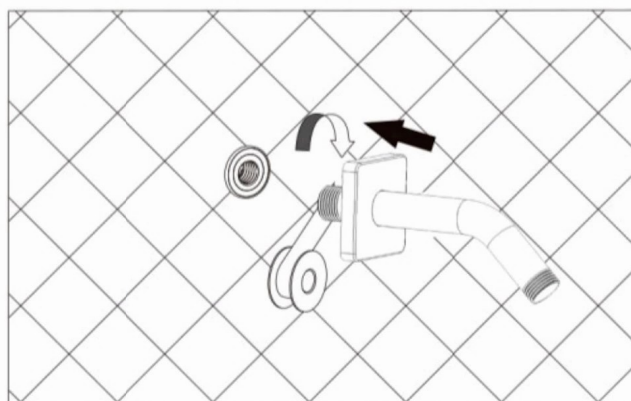
Installation of other parts



12inch Shower head and shower arm installation schematic

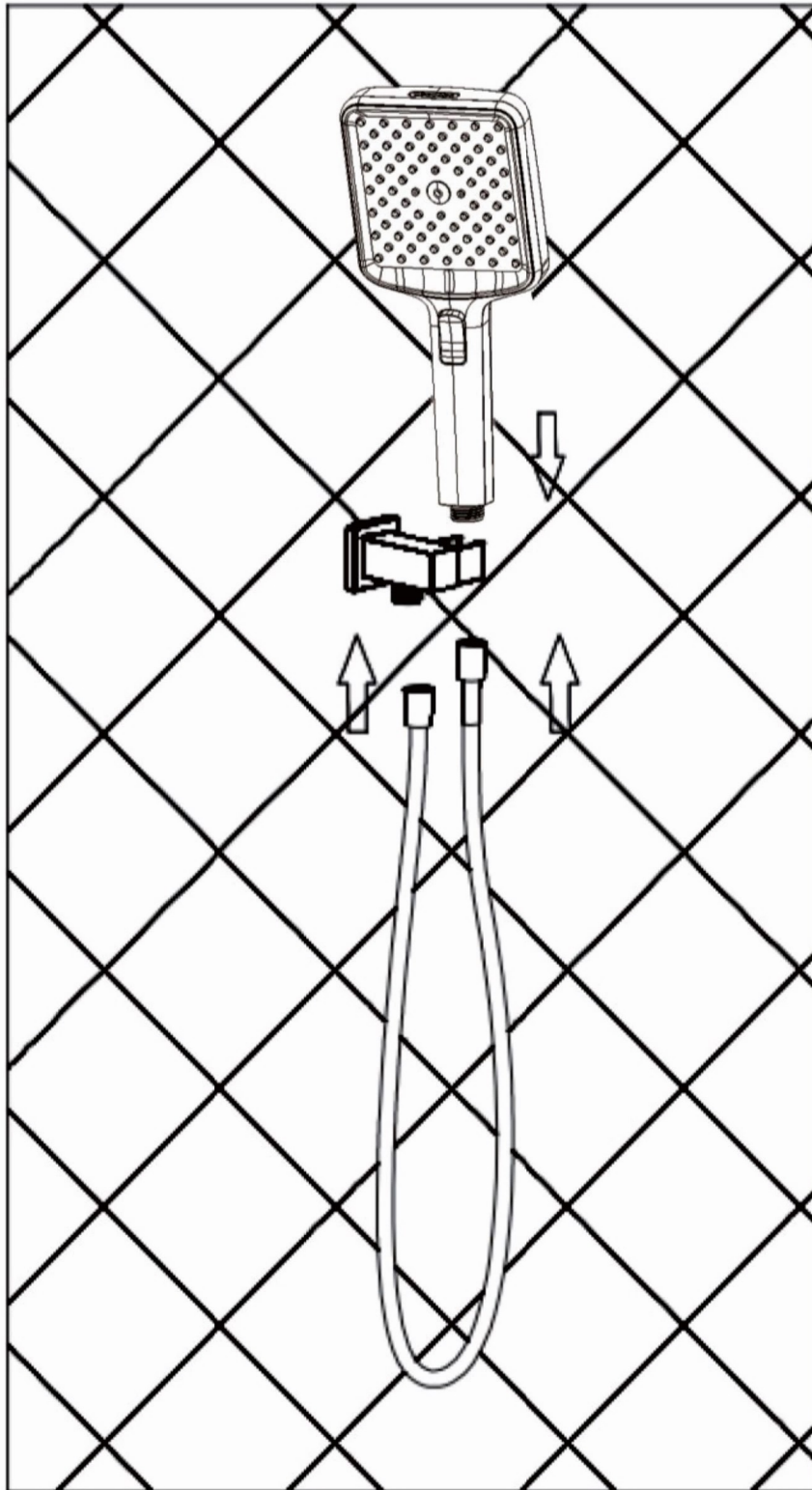


Handheld shower bracket installation schematic

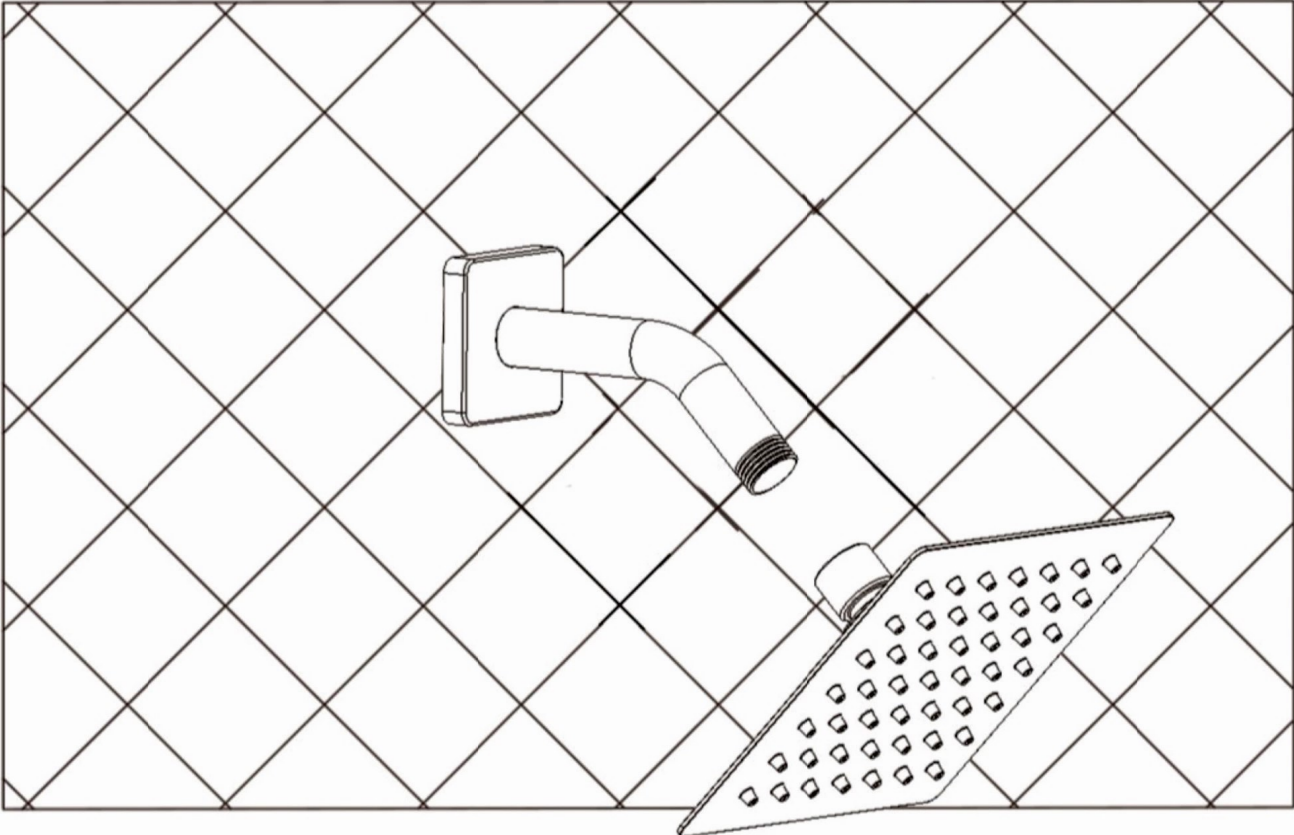


Another shower arm installation schematic

Shower hose and handheld shower head installation schematic



6inch shower head installation schematic



4. Product reparation

If the cartridge is worn out which cause leakage, please turn off the water source. Remove the handle, panel, and decorative cover in sequence, remove the gland with a wrench, then take out the cartridge and copper sleeve. Repair or replace the new cartridge, then install it again in sequence.

5. Clearance and maintenance

In order to keep the faucet appearance smooth and good performance, please follow the below steps to clean and maintain the shower faucet

1. Clean with water and dry with a soft cotton cloth.
2. Use a mild liquid and a colorless glass cleaner to remove surface dirt and scale, also you can use the cleaner without grinding function.
3. Do not use detergents, polishing tools, abrasive cloth, paper towels or scrapers to clean the shower faucet
4. Do not use acid cleaners, insoluble granular detergents, soaps etc to clean the shower faucet