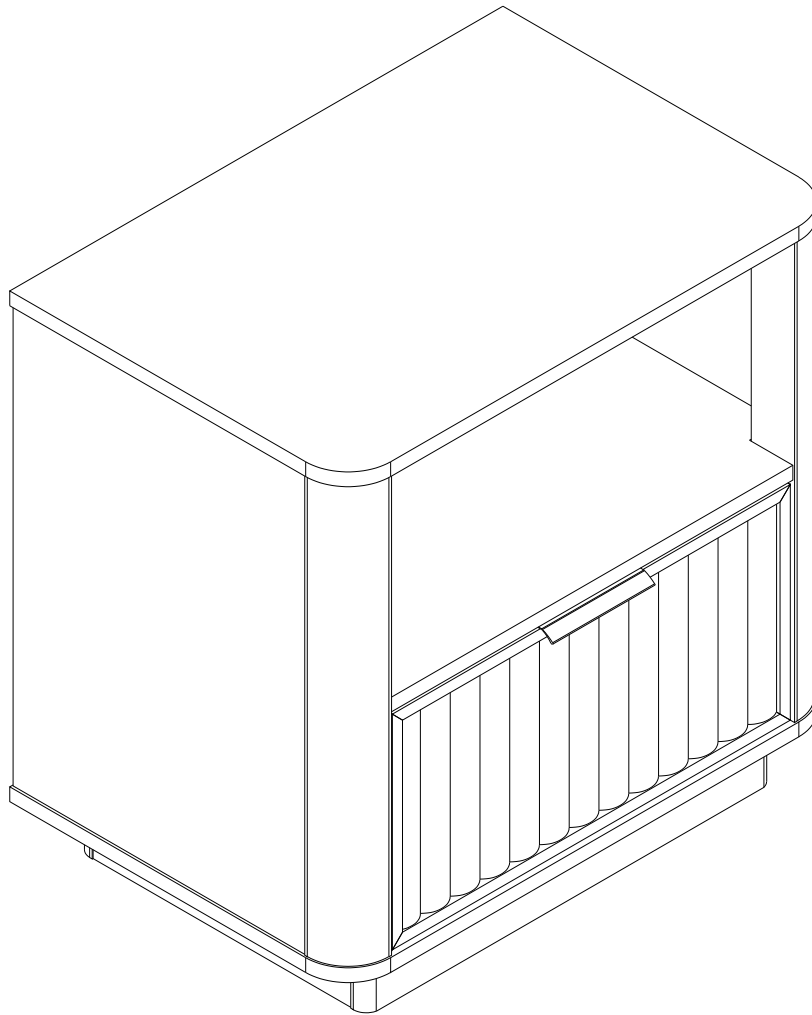


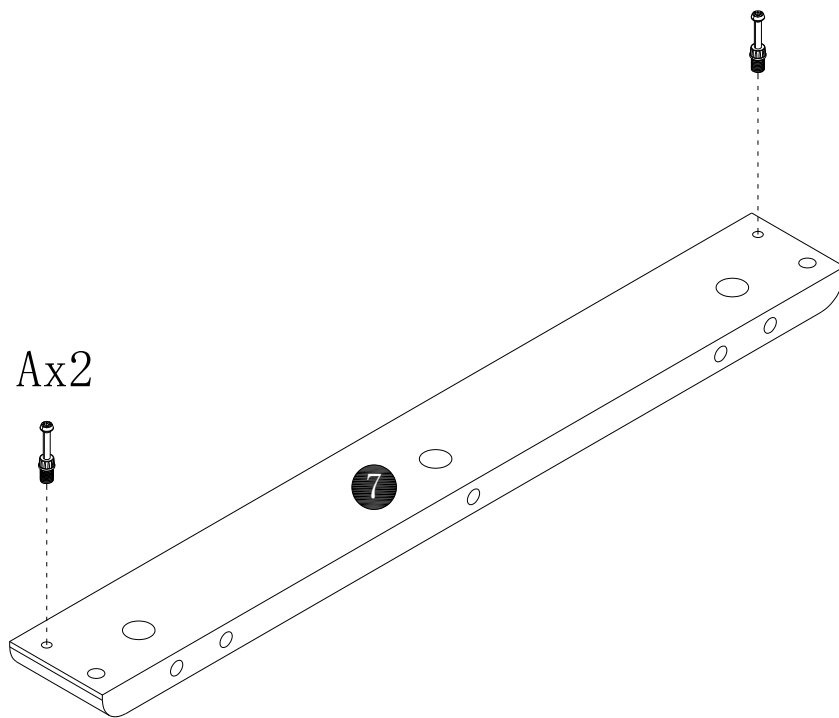
ASSEMBLY INSTRUCTION

If there are any questions during the assembly process

An video and description about the step you were stucked will help us to understand the problem quickly



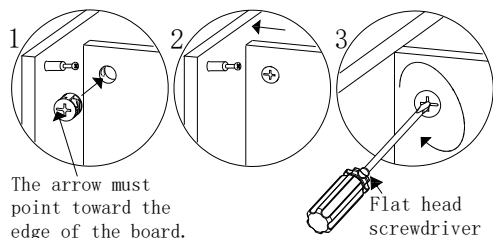
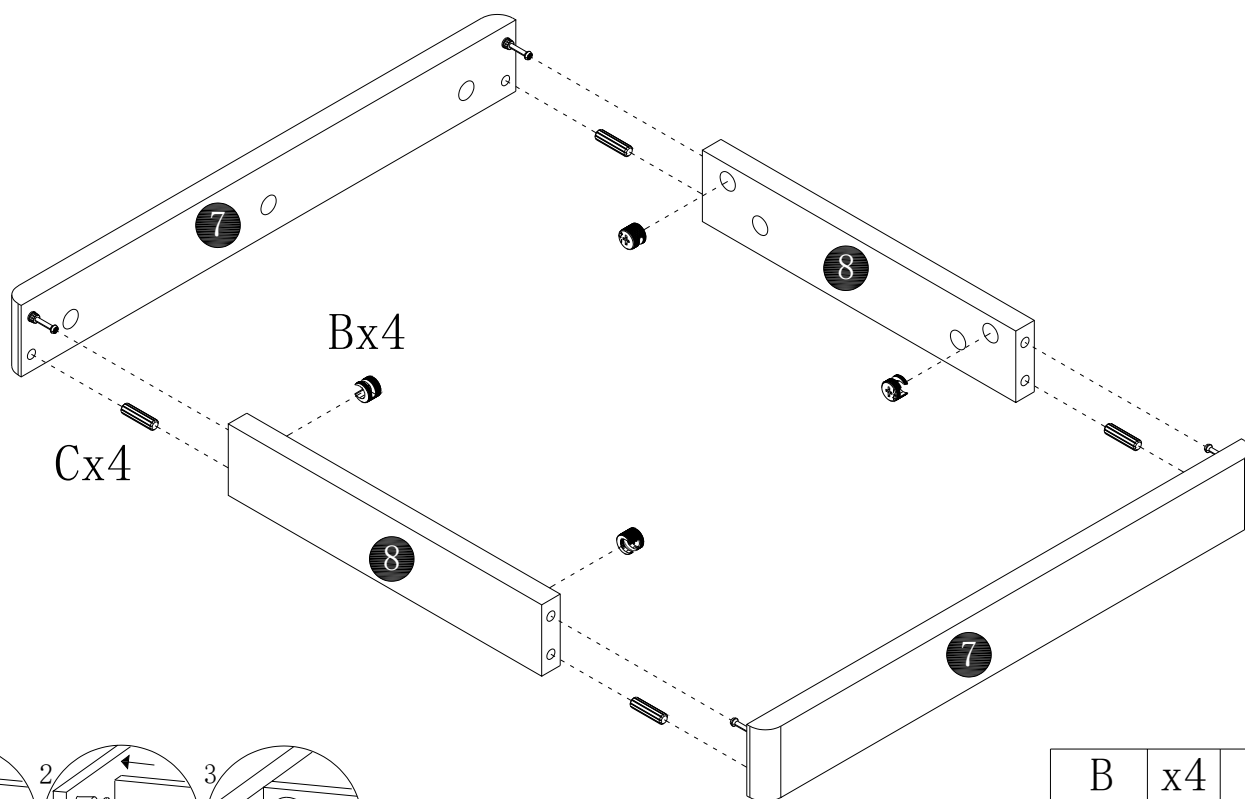
1



x2

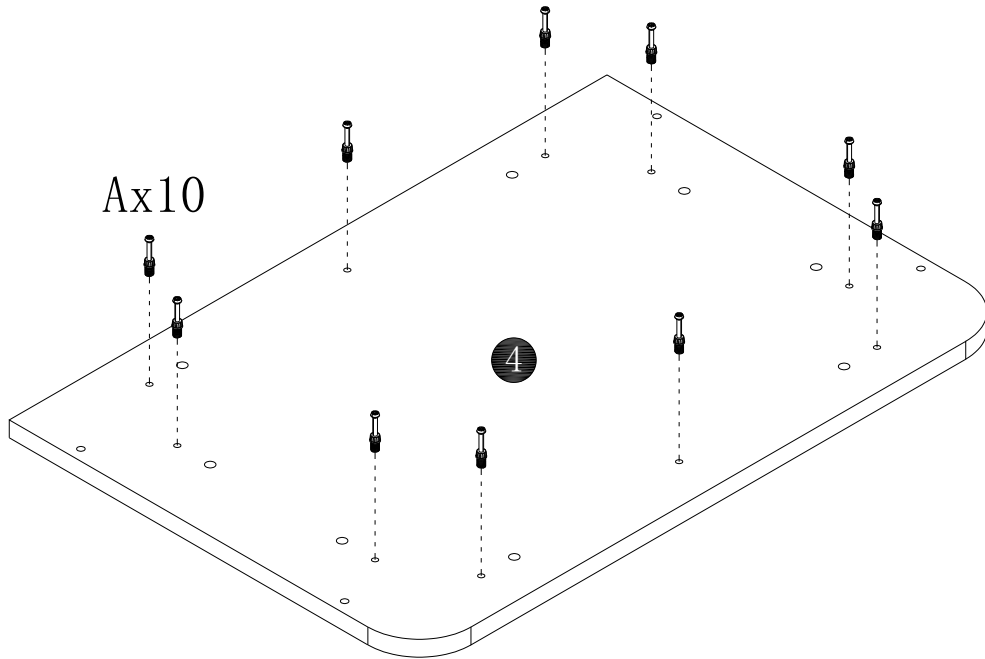
A	x4
M6x35mm	

2



B	x4	C	x4
φ15mm		φ8x30mm	

3

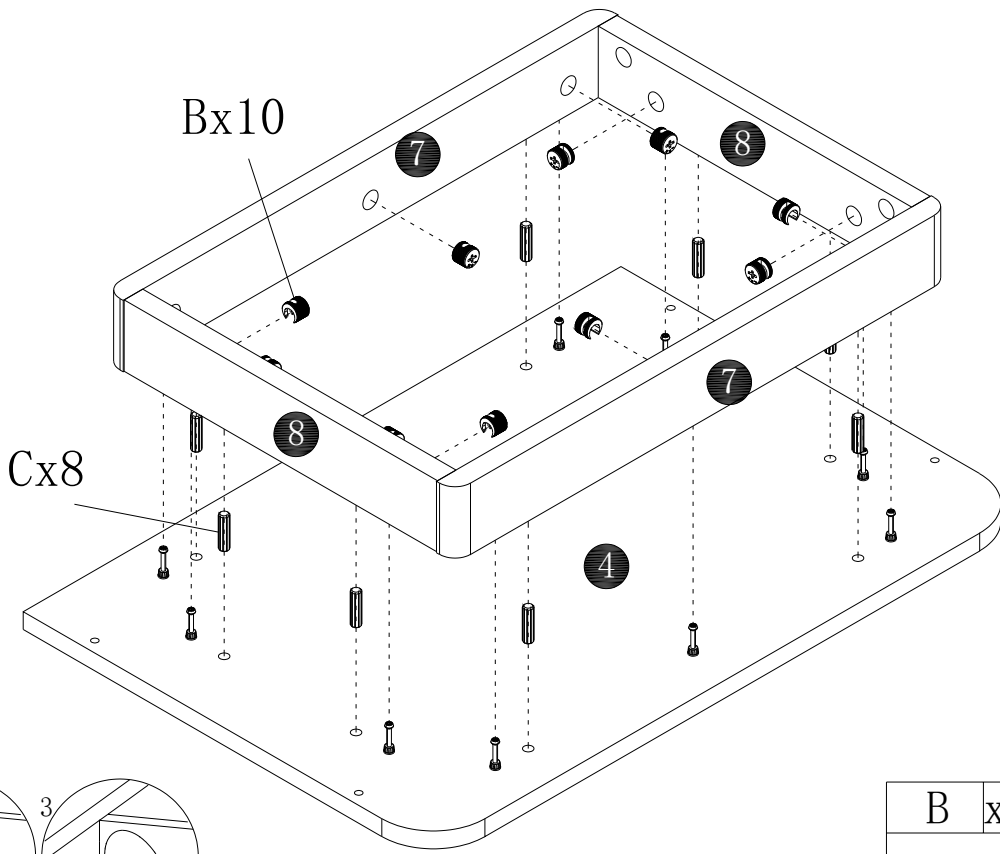


Ax10

4

A	x10
M6x35mm	

4



Bx10

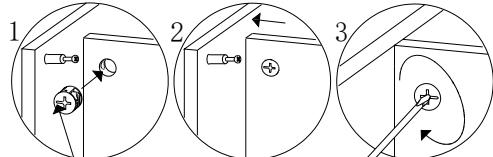
Cx8

7

8

7

4

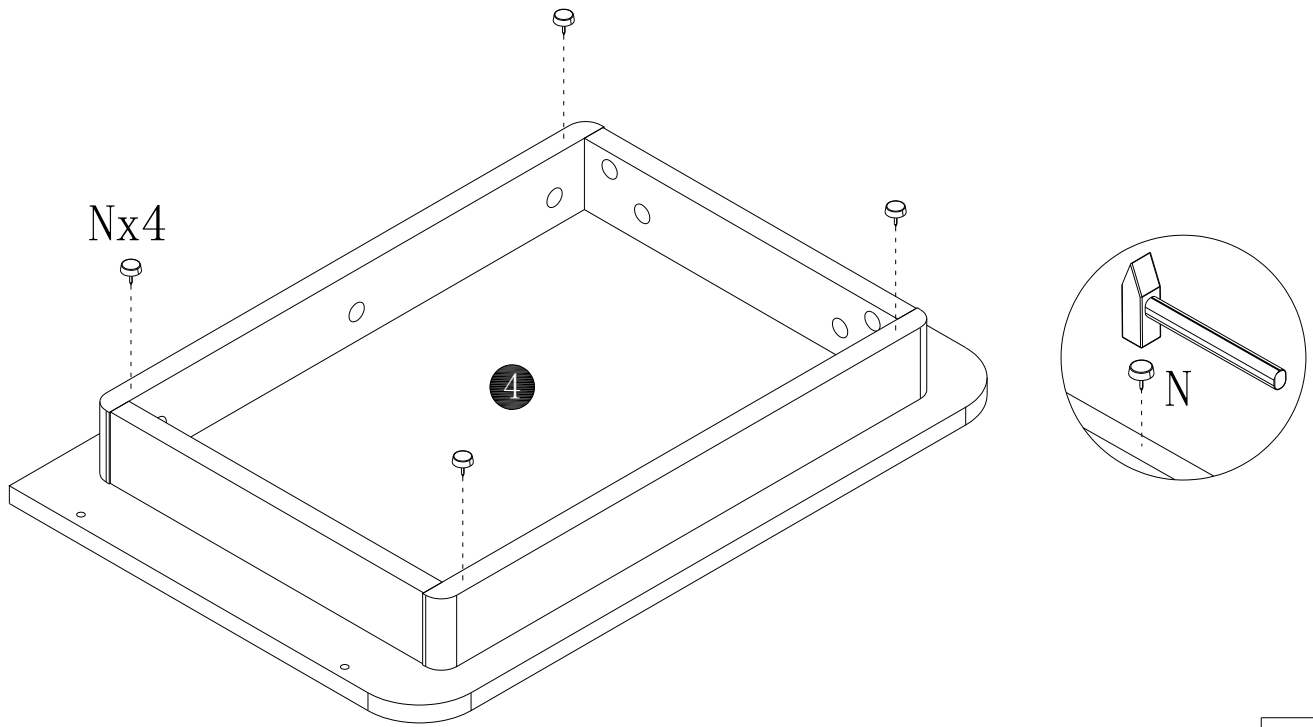


The arrow must point toward the edge of the board.

Flat head screwdriver

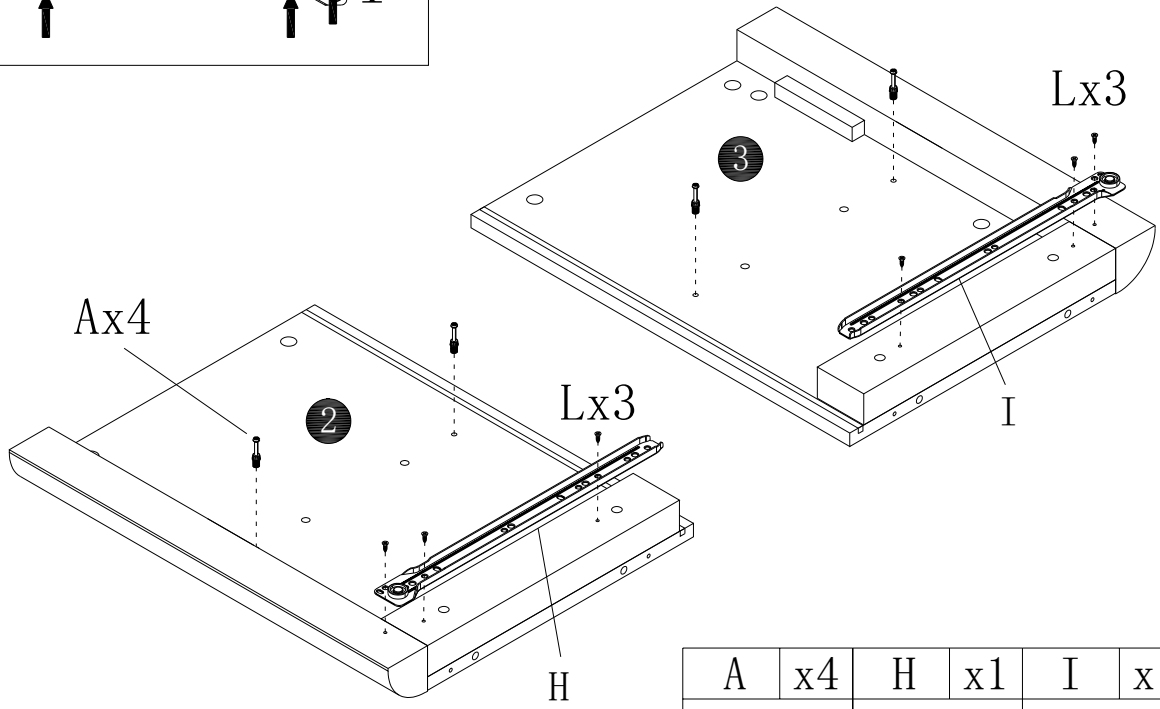
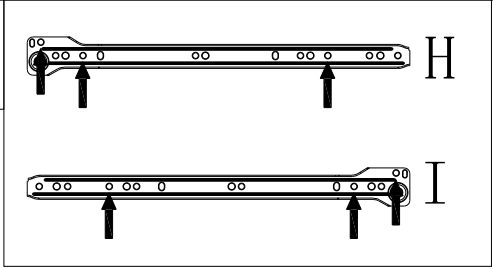
B	x10	C	x8
Ø15mm		Ø8x30mm	

5



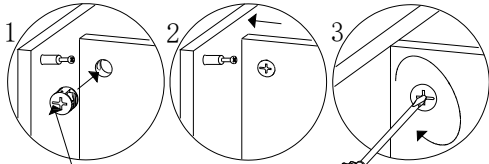
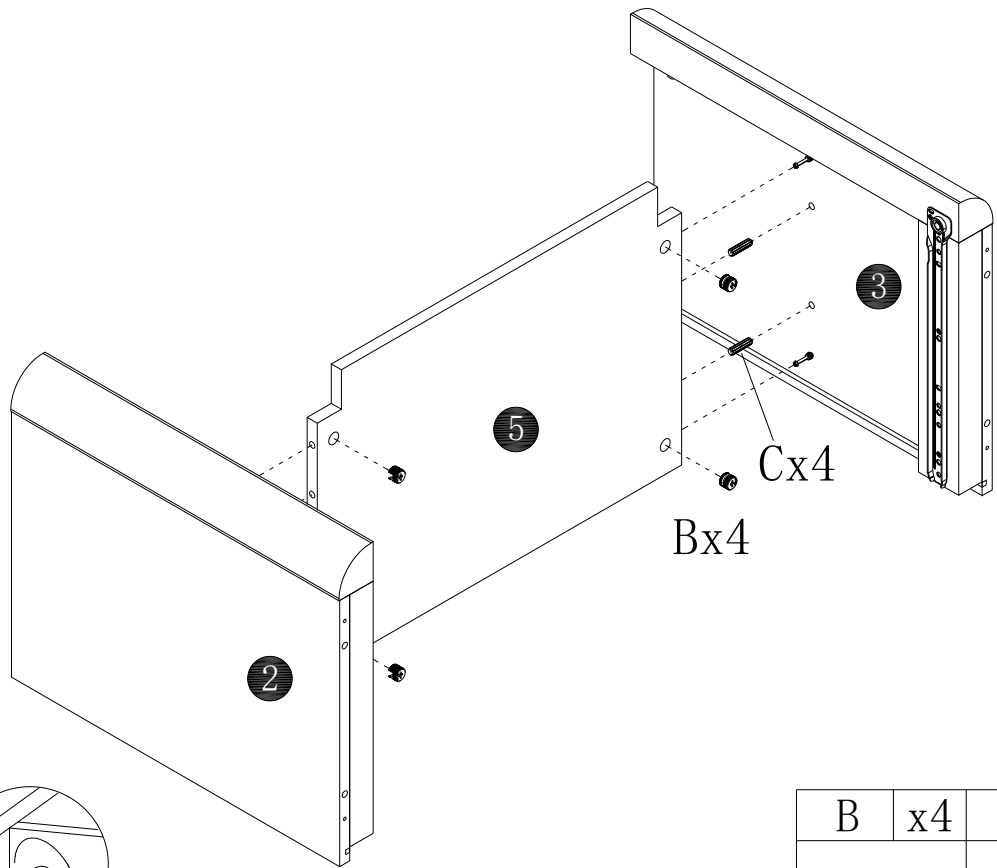
N	x4

6





A	x4	H	x1	I	x1	L	x6
M6x35mm						M3.5x12mm	

7

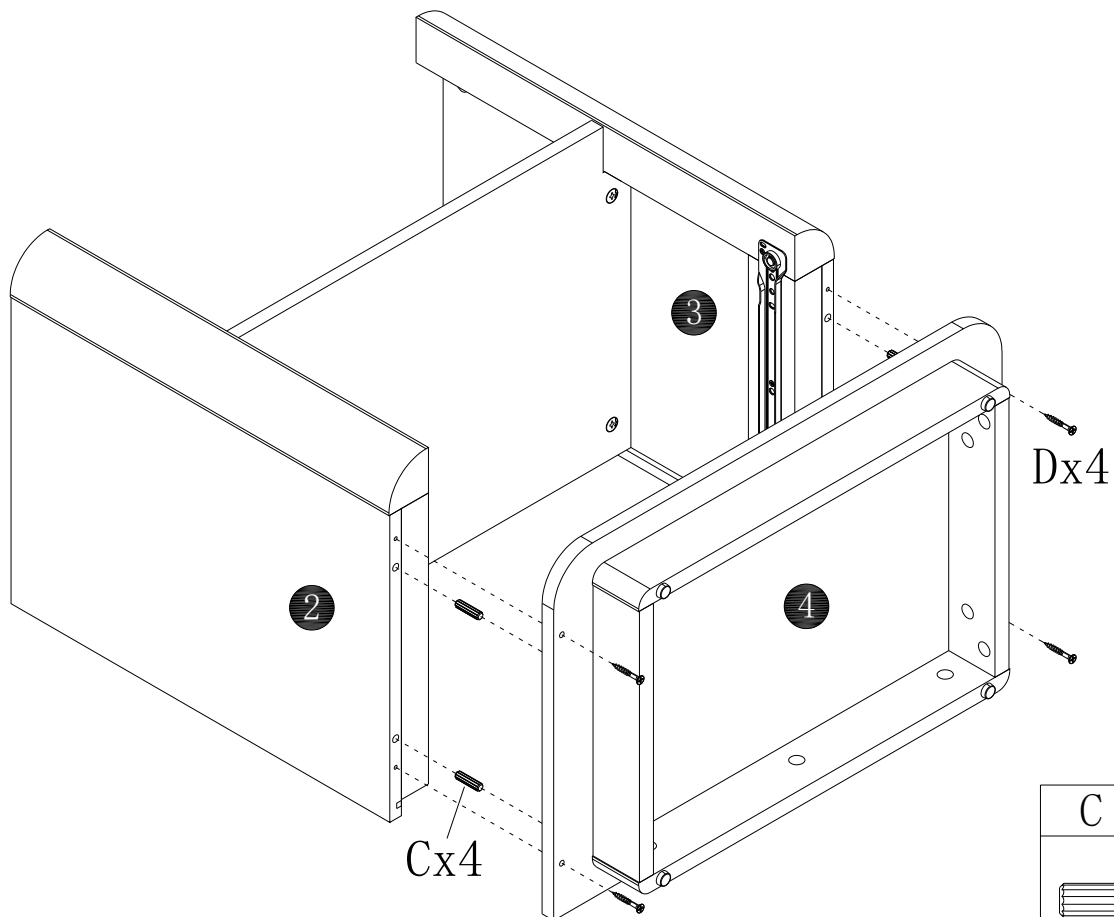




The arrow must point toward the edge of the board.

Flat head screwdriver

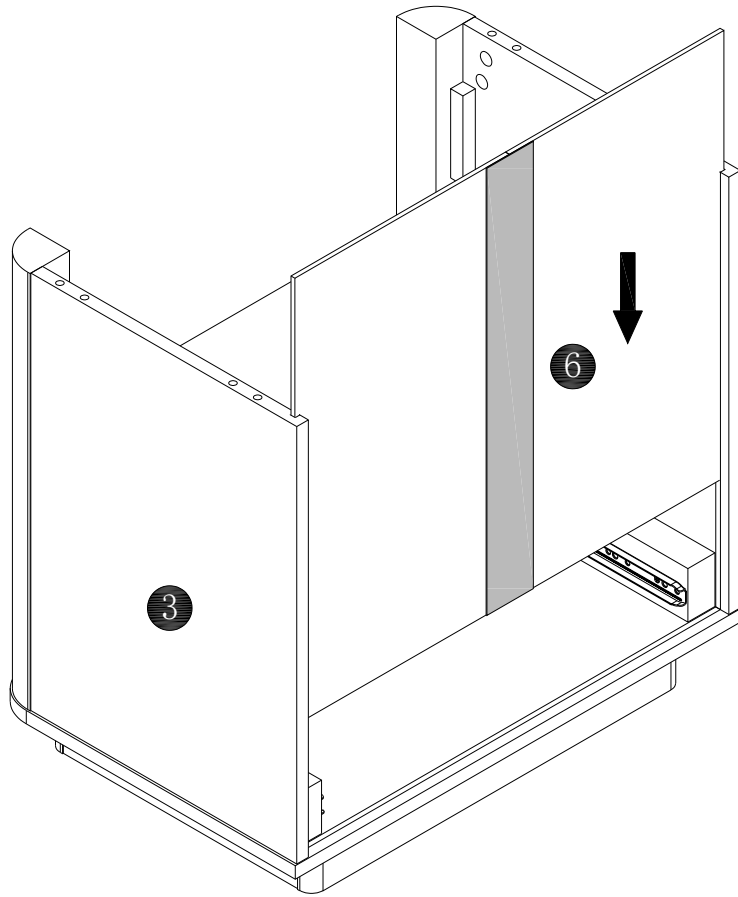
B	x4	C	x4
			
$\phi 15\text{mm}$		$\phi 8 \times 30\text{mm}$	

8

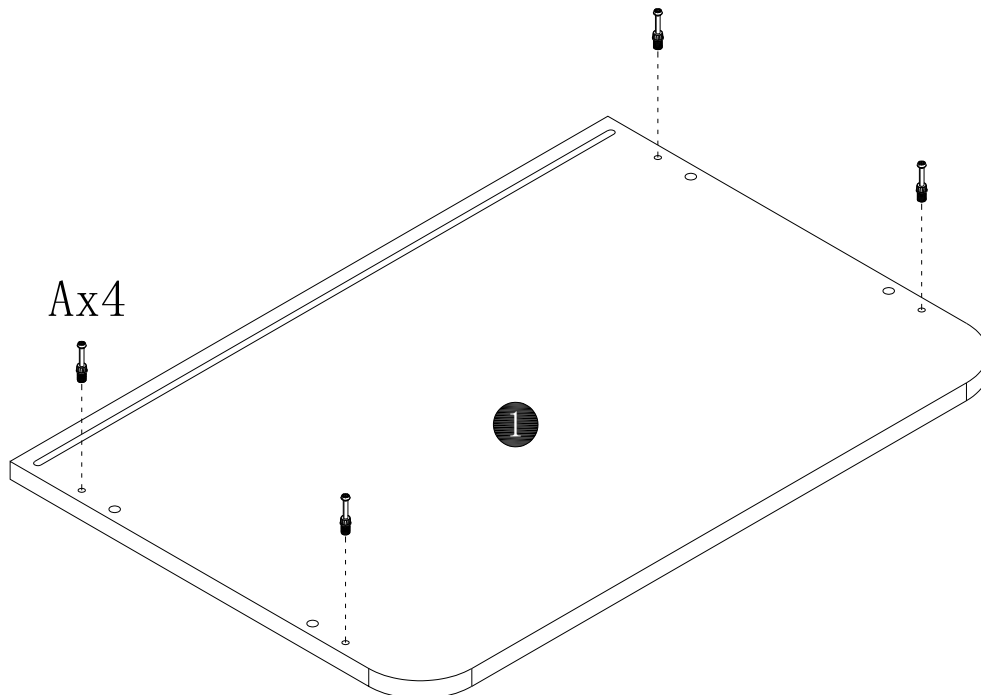


C	x4	D	x4
			
$\phi 8 \times 30\text{mm}$		M5x38mm	

9



10

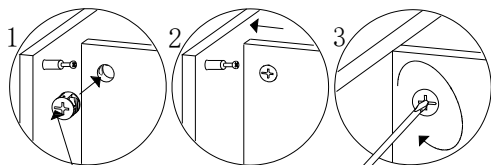
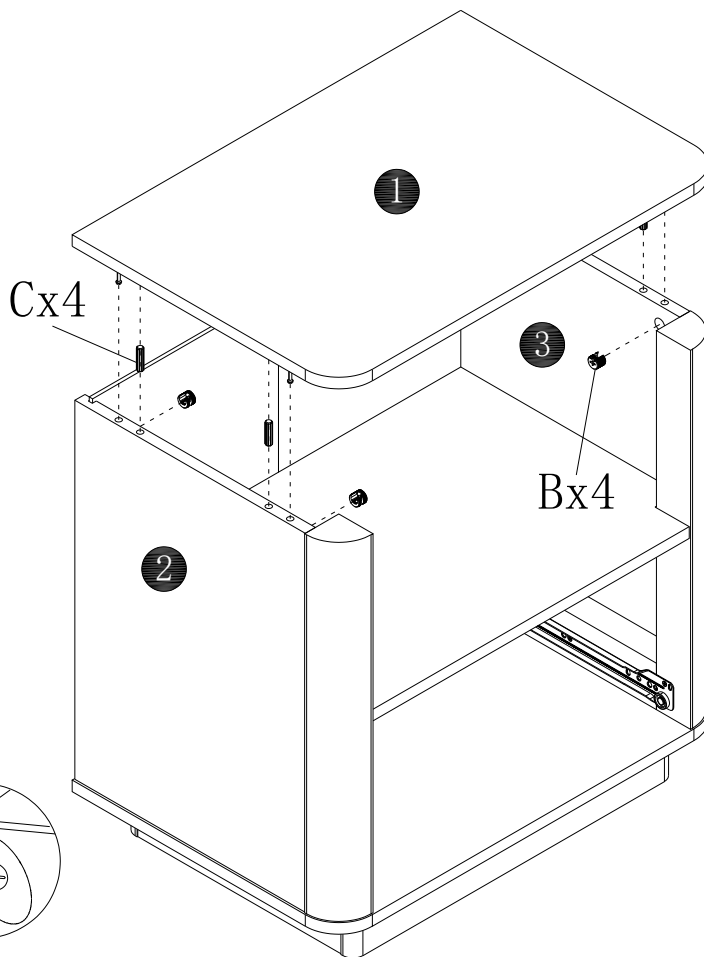


A x4





M6x35mm

11

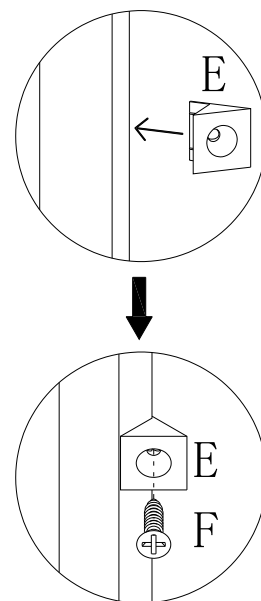
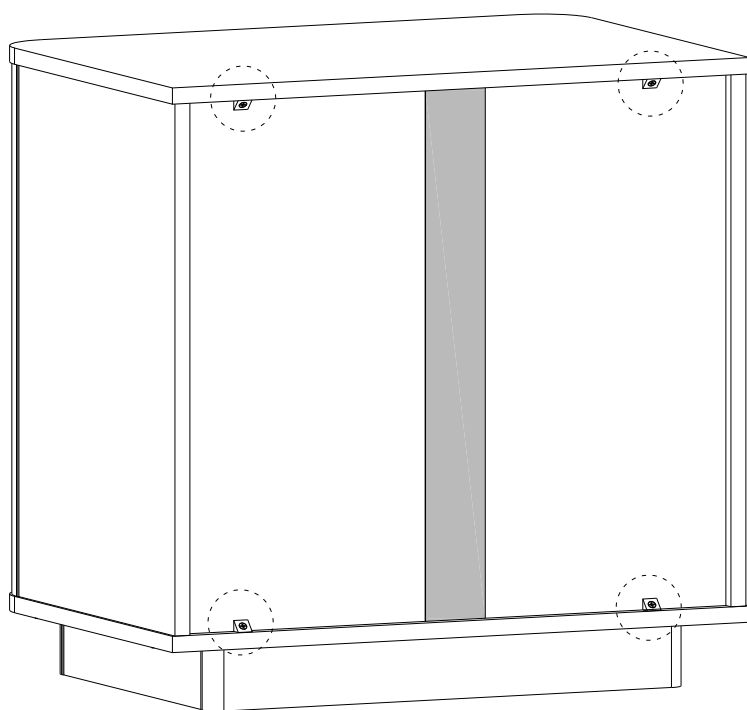



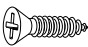
The arrow must point toward the edge of the board.

Flat head screwdriver

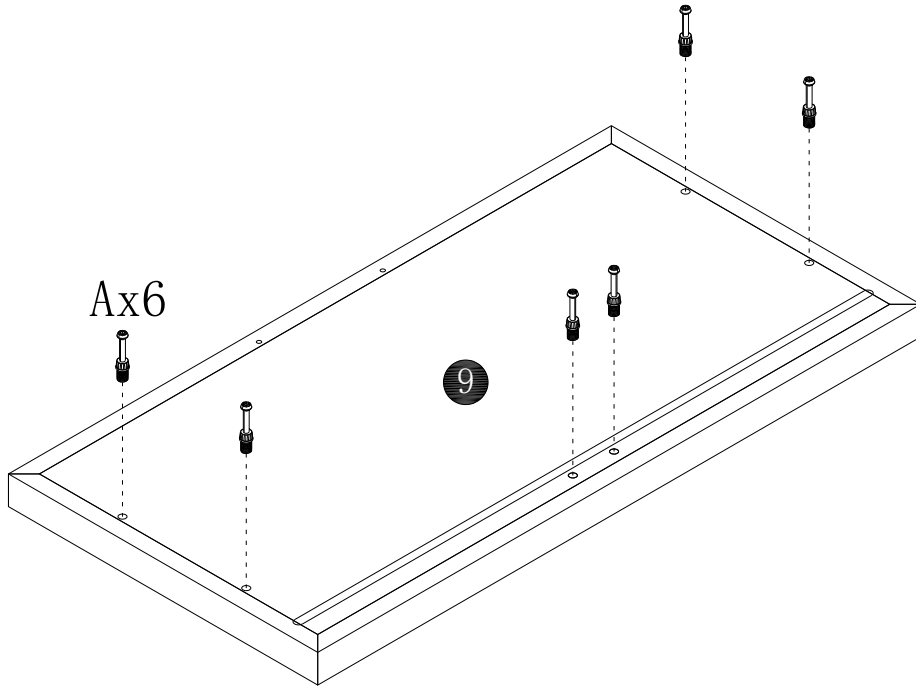
B	x4	C	x4
			
Ø15mm		Ø8x30mm	

12



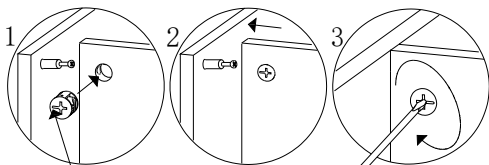
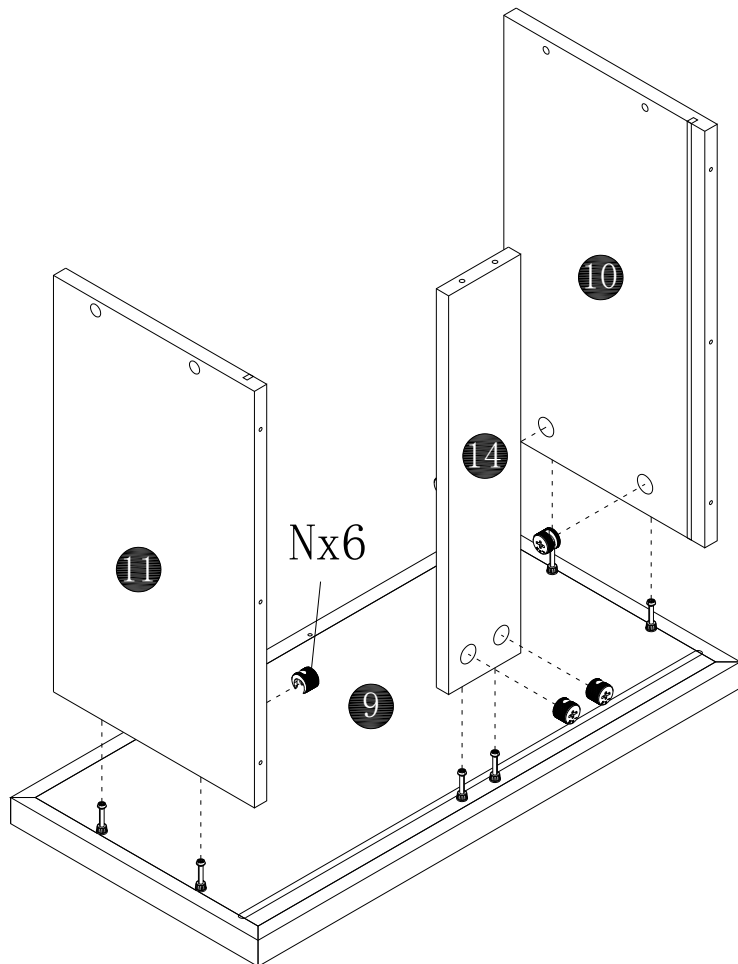
E	x4	F	x4
			
		M3. 5x16mm	

13



A	x6
M6x35mm	

14

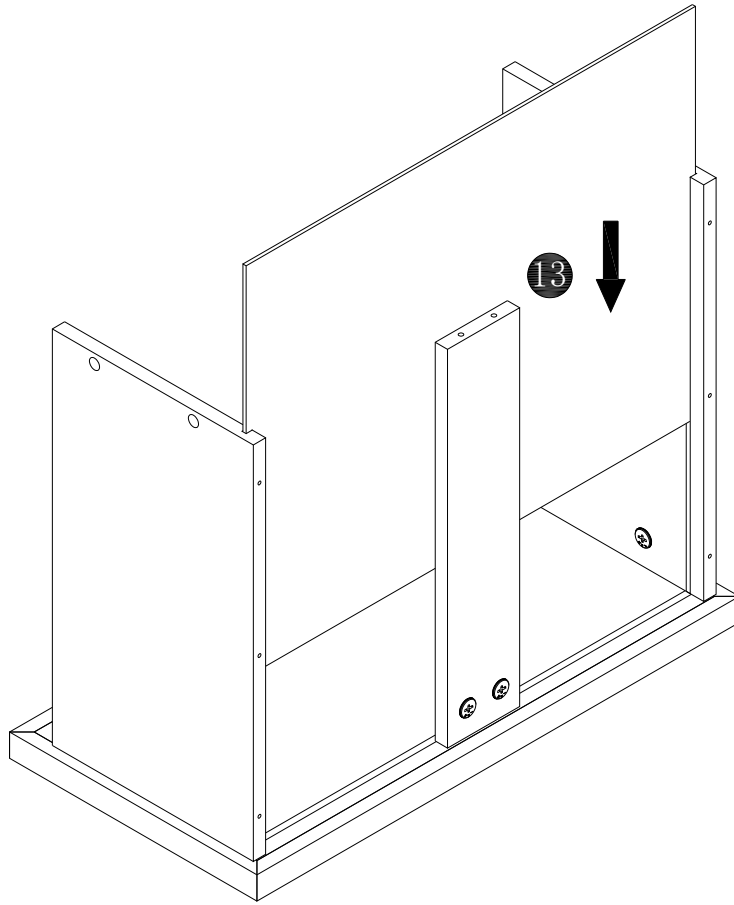


The arrow must point toward the edge of the board.

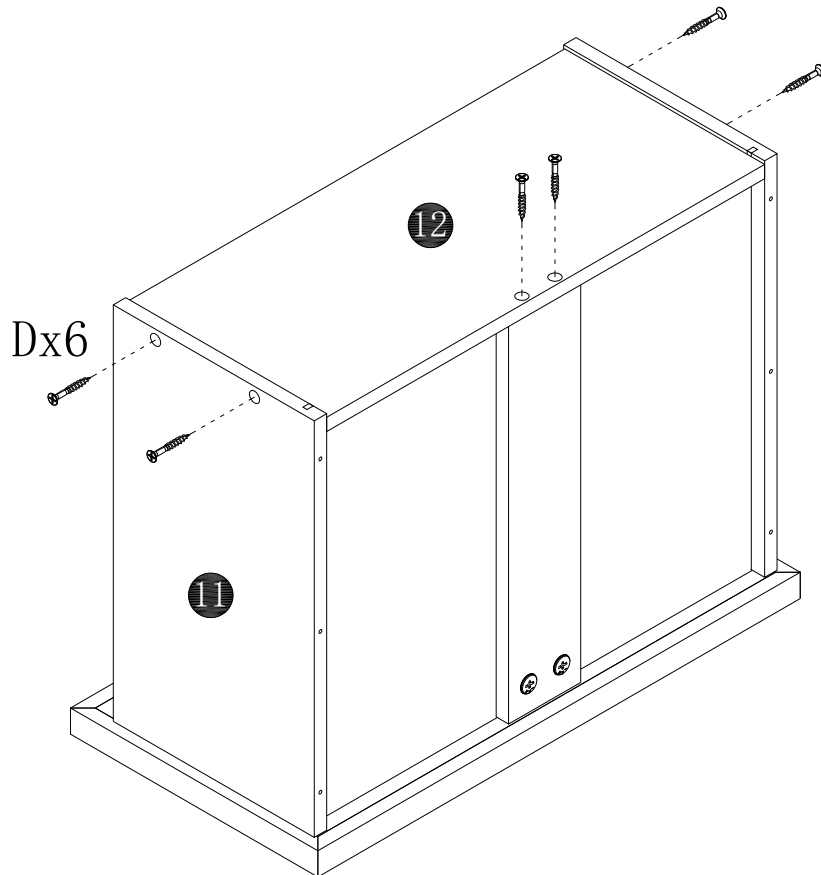
Flat head screwdriver

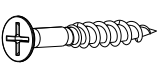
N	x6
Ø15x10mm	

15

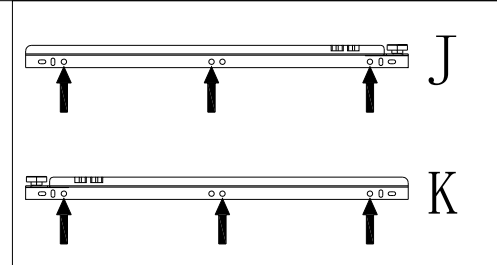
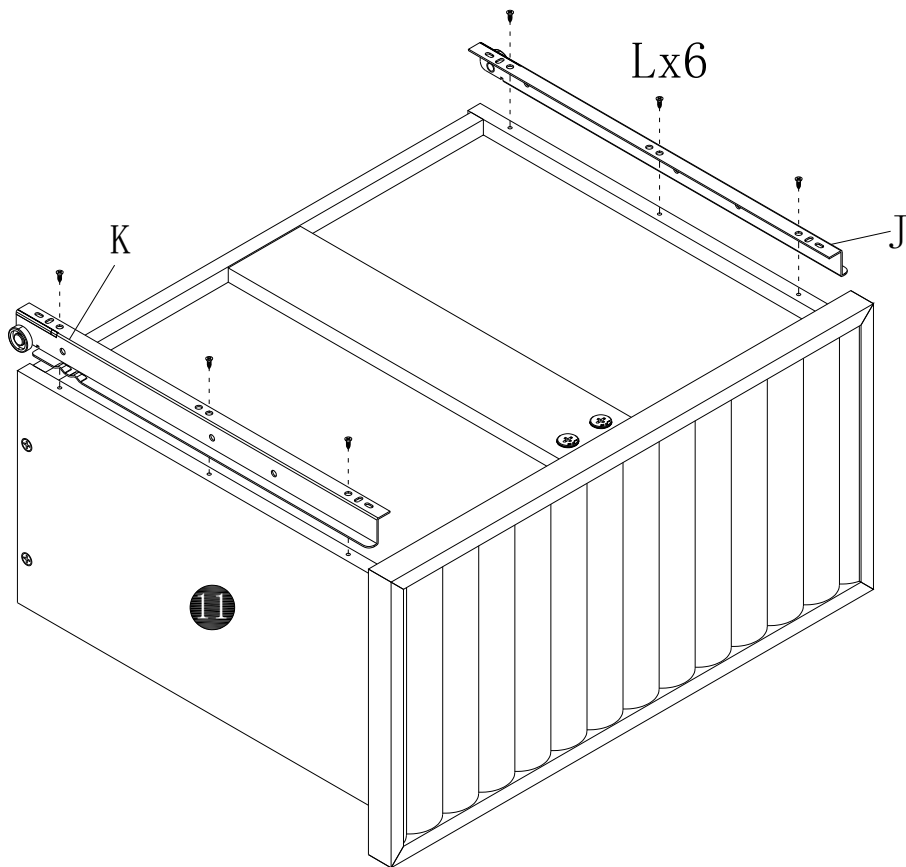


16



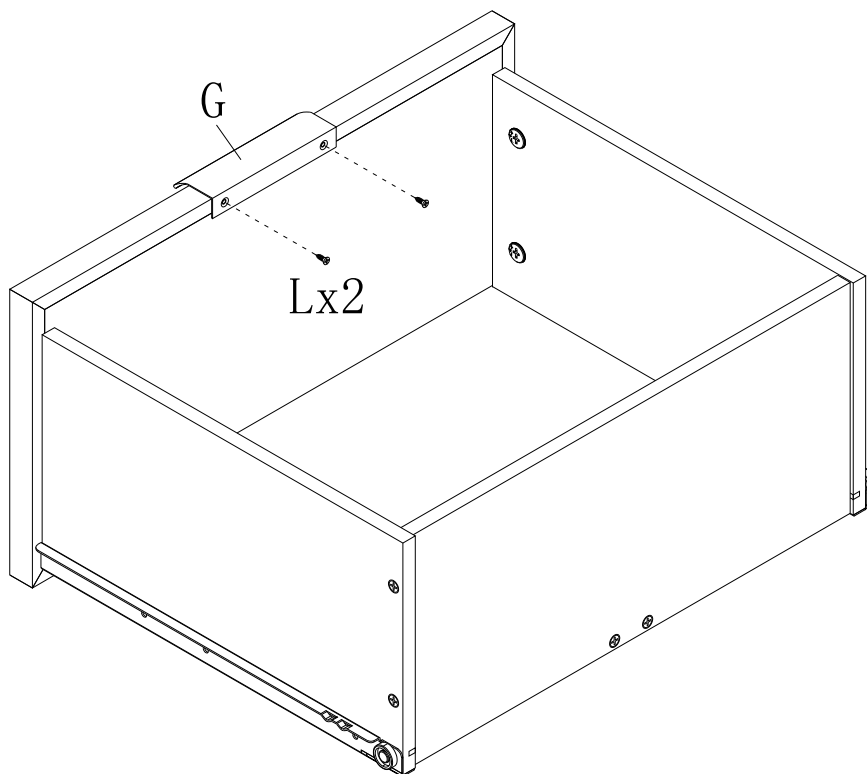
D	x6
	
M5x38mm	

17



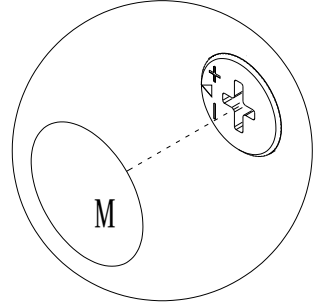
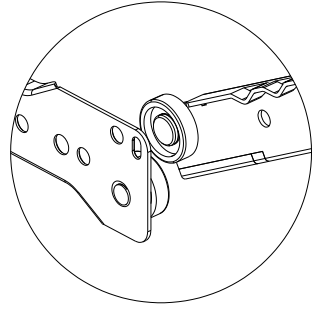
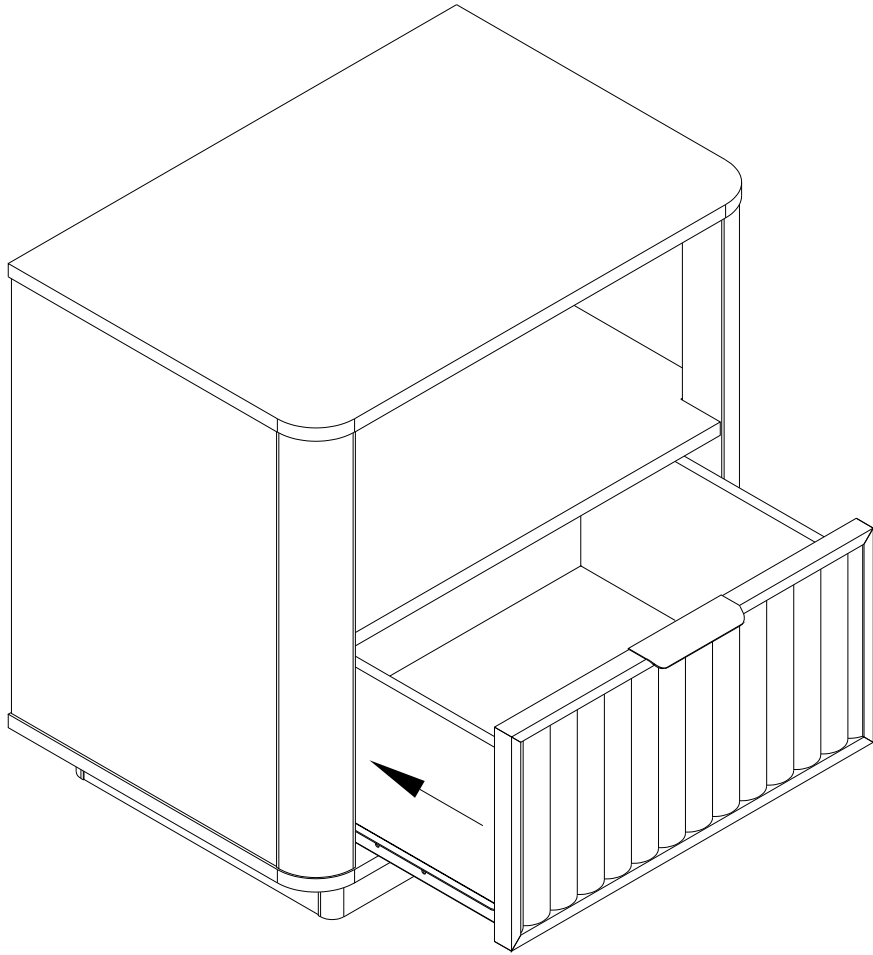
J	x1	K	x1	L	x6
M3. 5x12mm					

18

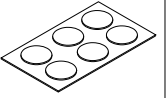


G	x1	L	x2
M3. 5x12mm			

19



M	x2
---	----



φ25

20

